



US00D580880S

(12) **United States Design Patent**  
**Lifran**

(10) **Patent No.:** **US D580,880 S**

(45) **Date of Patent:** **\*\* Nov. 18, 2008**

(54) **CIRCUIT BREAKER**

(75) Inventor: **Xavier Lifran**, Le Touvet (FR)

(73) Assignee: **Schneider Electric Industries SAS**,  
Rueil Malmaison (FR)

(\*\*) Term: **14 Years**

(21) Appl. No.: **29/274,379**

(22) Filed: **Apr. 20, 2007**

(30) **Foreign Application Priority Data**

Oct. 20, 2006 (FR) ..... 06/4846

(51) **LOC (8) Cl.** ..... **13-03**

(52) **U.S. Cl.** ..... **D13/160**

(58) **Field of Classification Search** ..... D13/137.3,  
D13/159, 160, 162, 178; 200/17 R, 50.02,  
200/20.26, 114 R, 147 R, 244, 304, 307,  
200/308, 318, 330, 400, 401, 552; 218/157;  
335/13, 16, 20, 35, 172, 202, 167; 361/93.3,  
361/115, 173, 361, 652, 673

See application file for complete search history.

(56) **References Cited**

**U.S. PATENT DOCUMENTS**

5,219,070 A \* 6/1993 Grunert et al. .... 200/330  
5,493,083 A \* 2/1996 Olivier ..... 200/17 R  
D406,106 S \* 2/1999 Gonser ..... D13/160  
D498,464 S \* 11/2004 Kim ..... D13/160

D506,185 S \* 6/2005 Kim ..... D13/160

\* cited by examiner

*Primary Examiner*—Daniel D Bui

*Assistant Examiner*—Thomas J Johannes

(74) *Attorney, Agent, or Firm*—Steptoe & Johnson LLP

(57) **CLAIM**

The ornamental design for a circuit breaker, as shown and described.

**DESCRIPTION**

FIG. 1 is a front, top, right side and front perspective view of a first embodiment of a circuit breaker showing my new design;

FIG. 2 is a front elevation view thereof;

FIG. 3 is a rear elevation view thereof;

FIG. 4 is a top plan view thereof;

FIG. 5 is a bottom plan view thereof;

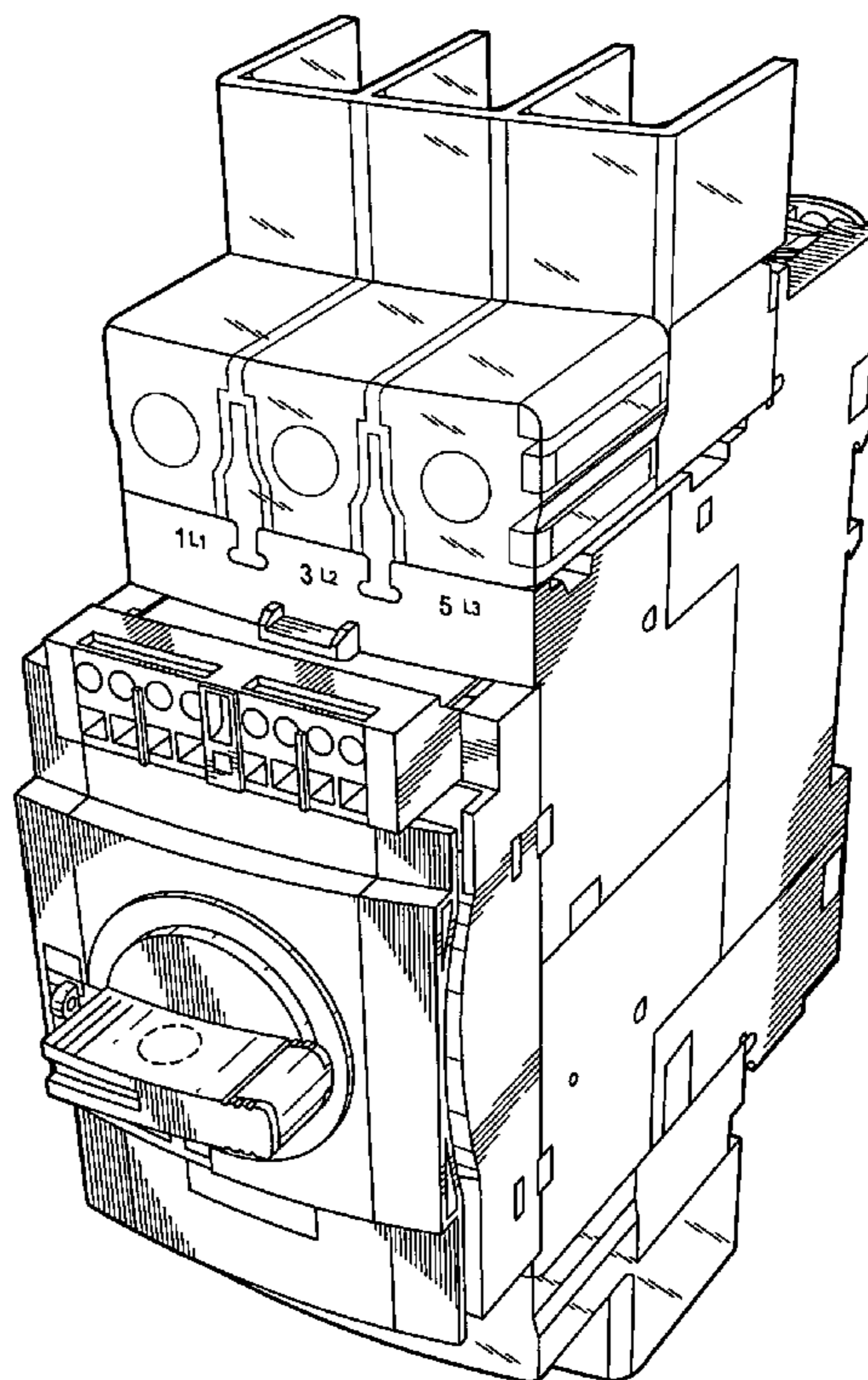
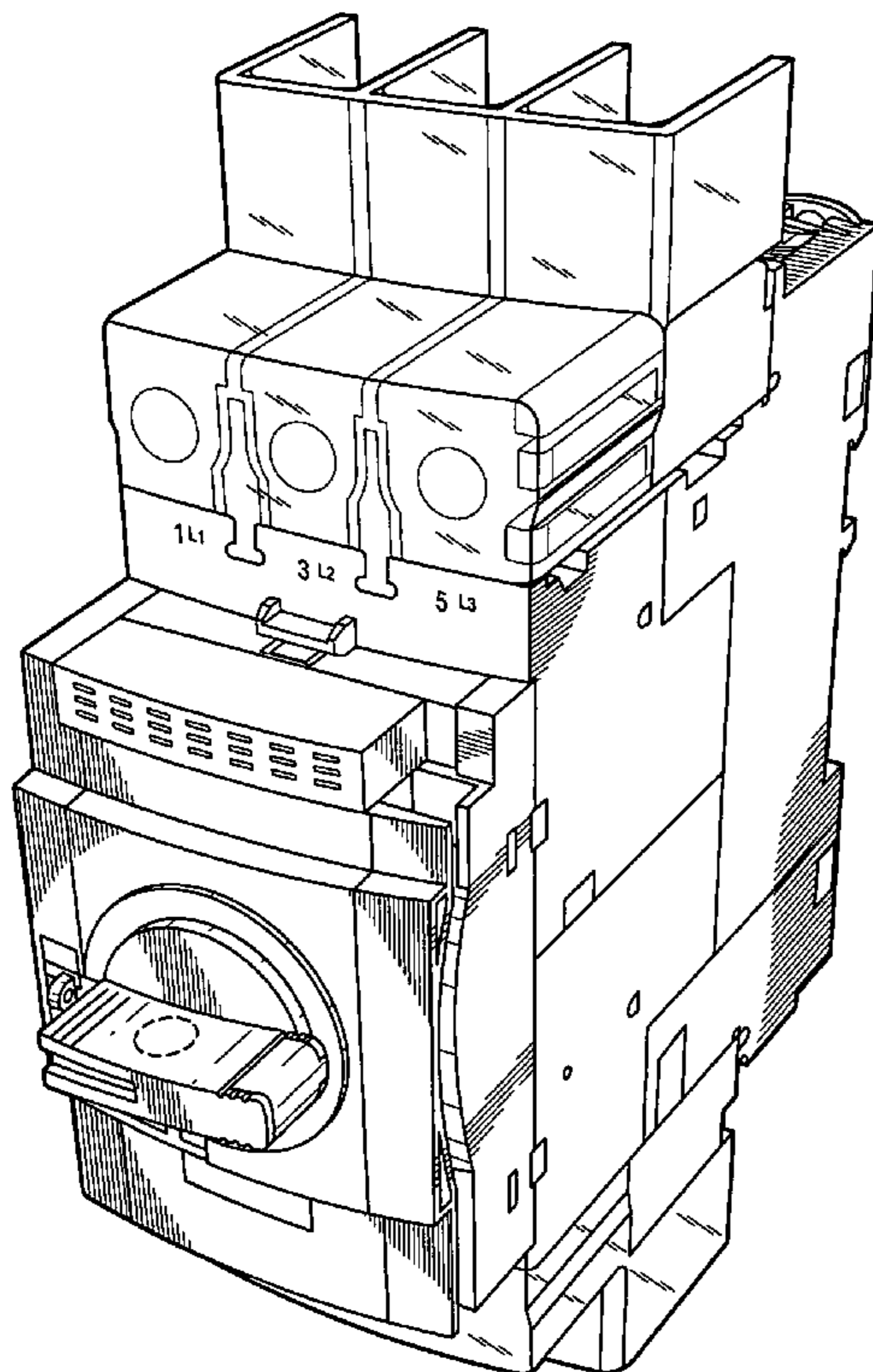
FIG. 6 is a left side elevation view thereof;

FIG. 7 is a right side elevation view thereof;

FIG. 8 is a top, right side and front perspective view of a second embodiment of the circuit breaker of FIGS. 3 through 7 showing my new design; and,

FIG. 9 is a top, right side and front perspective view of a third embodiment of the circuit breaker of FIGS. 3 through 7 showing my new design.

**1 Claim, 9 Drawing Sheets**



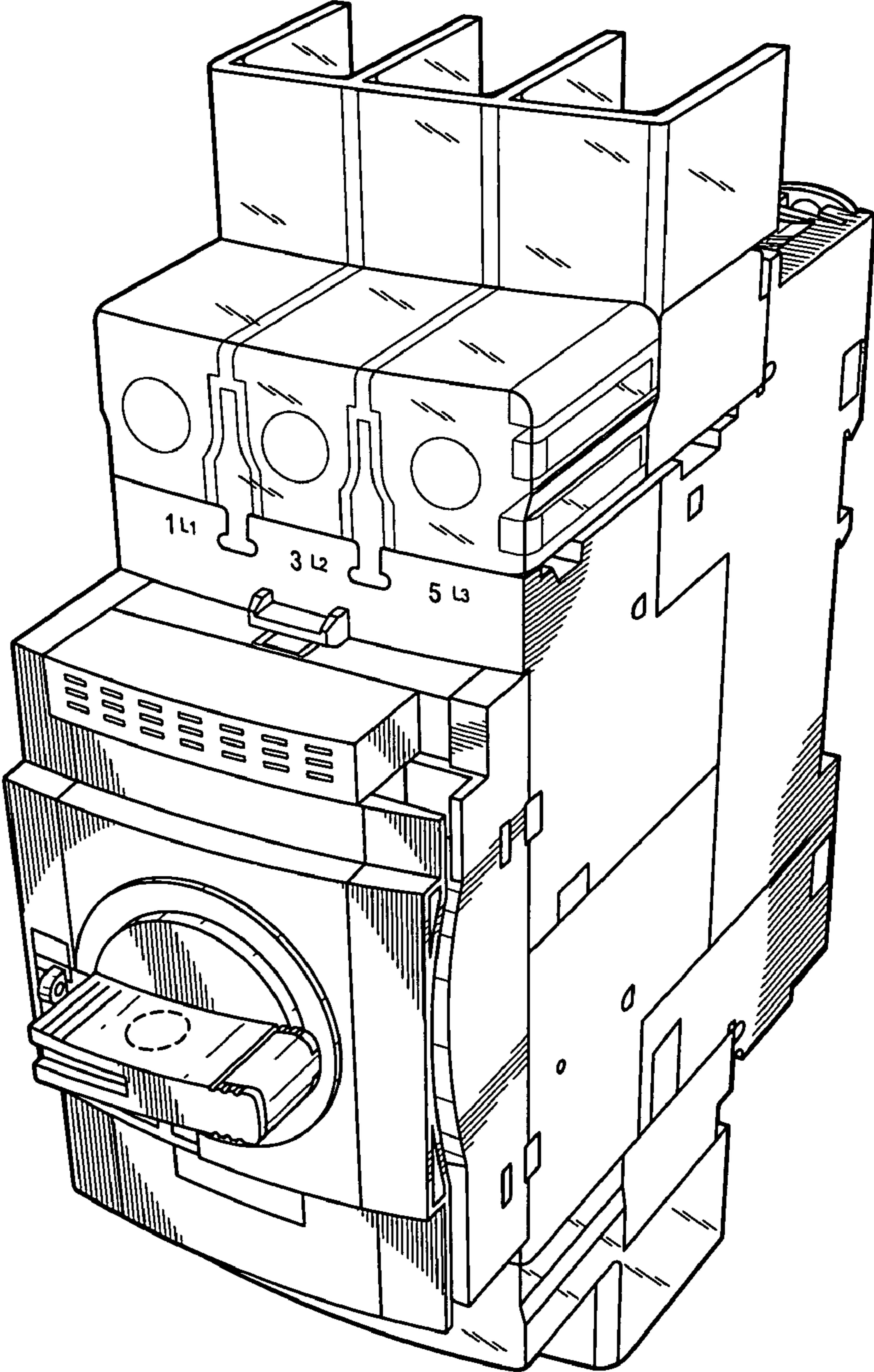


FIG. 1

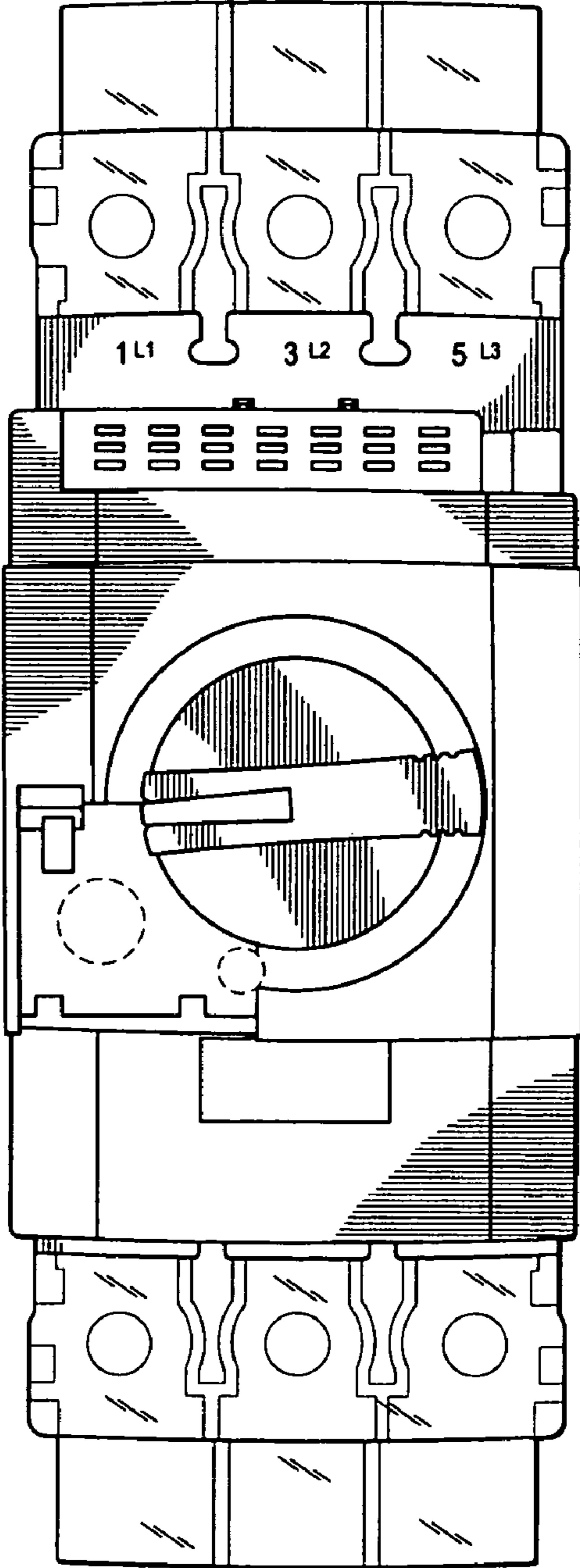


FIG.2

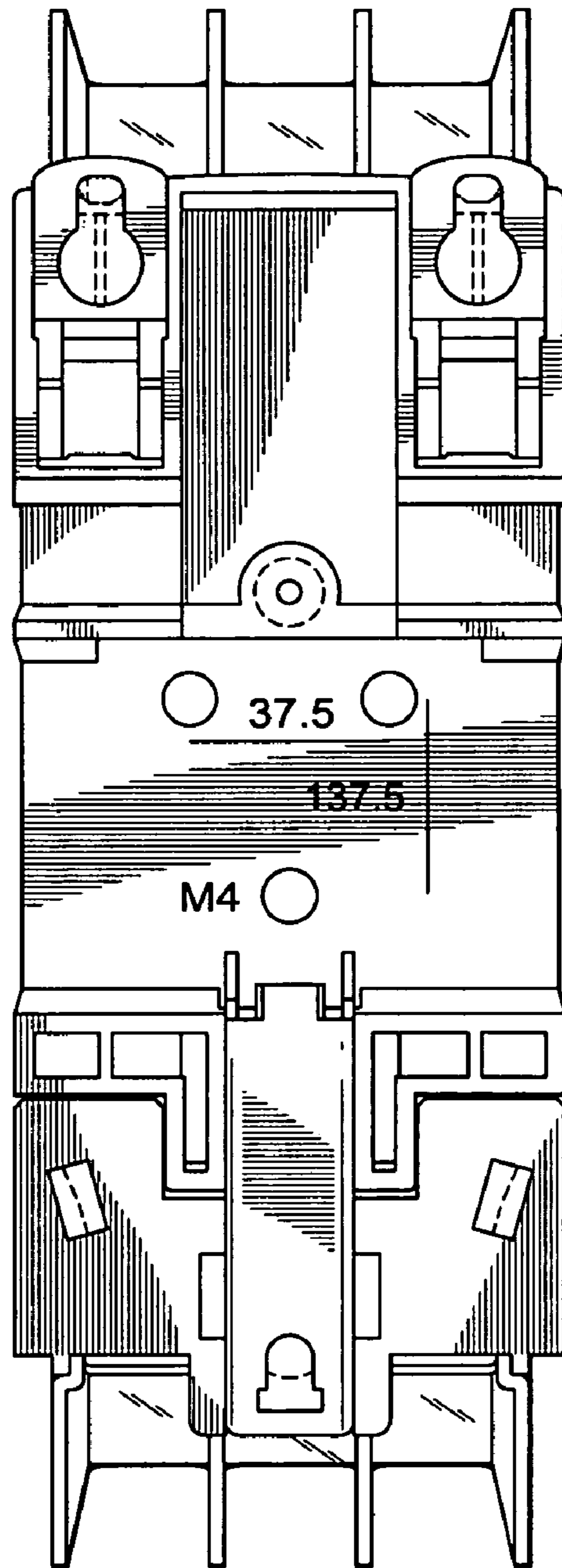


FIG. 3

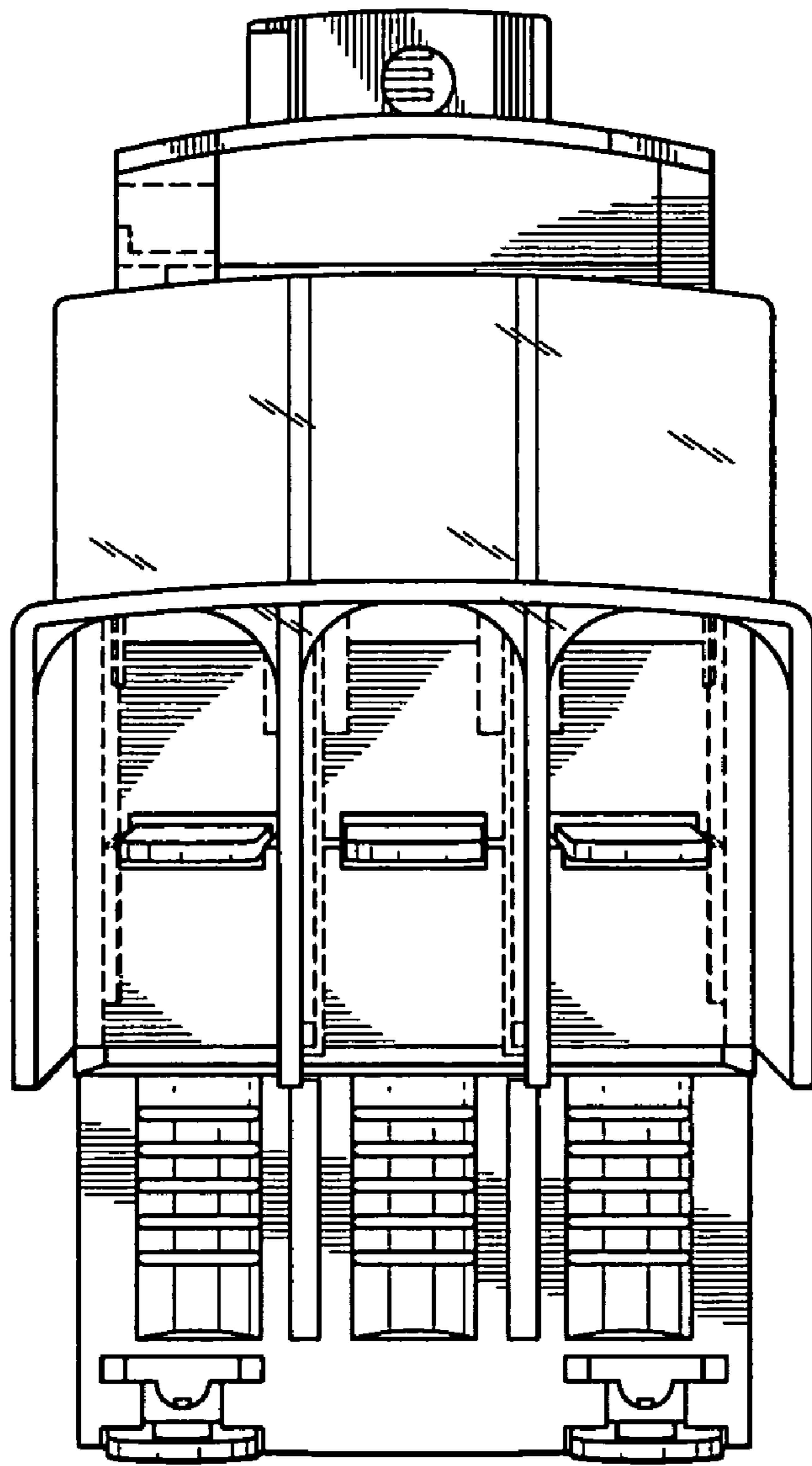


FIG.4

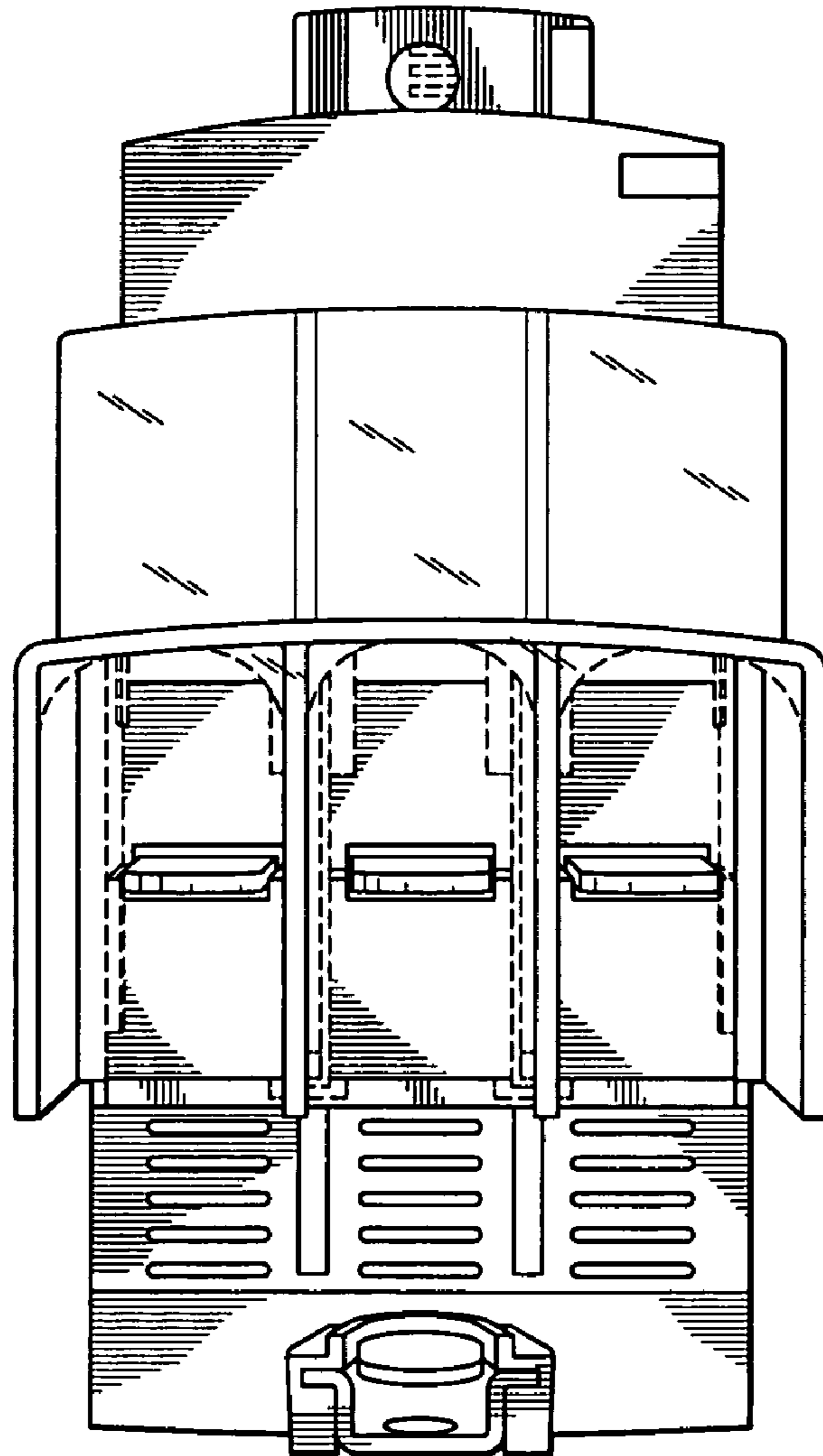


FIG. 5

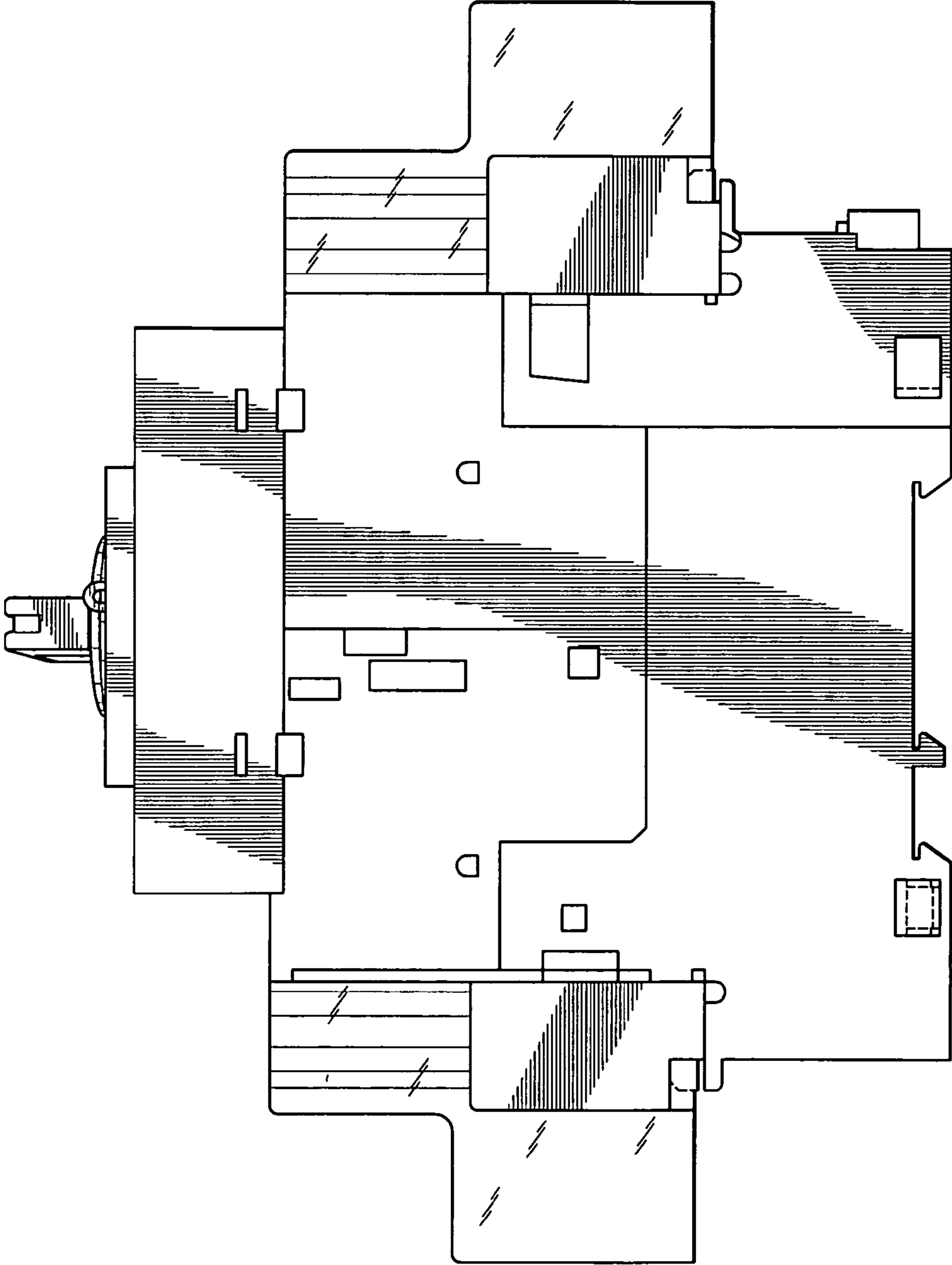


FIG. 6

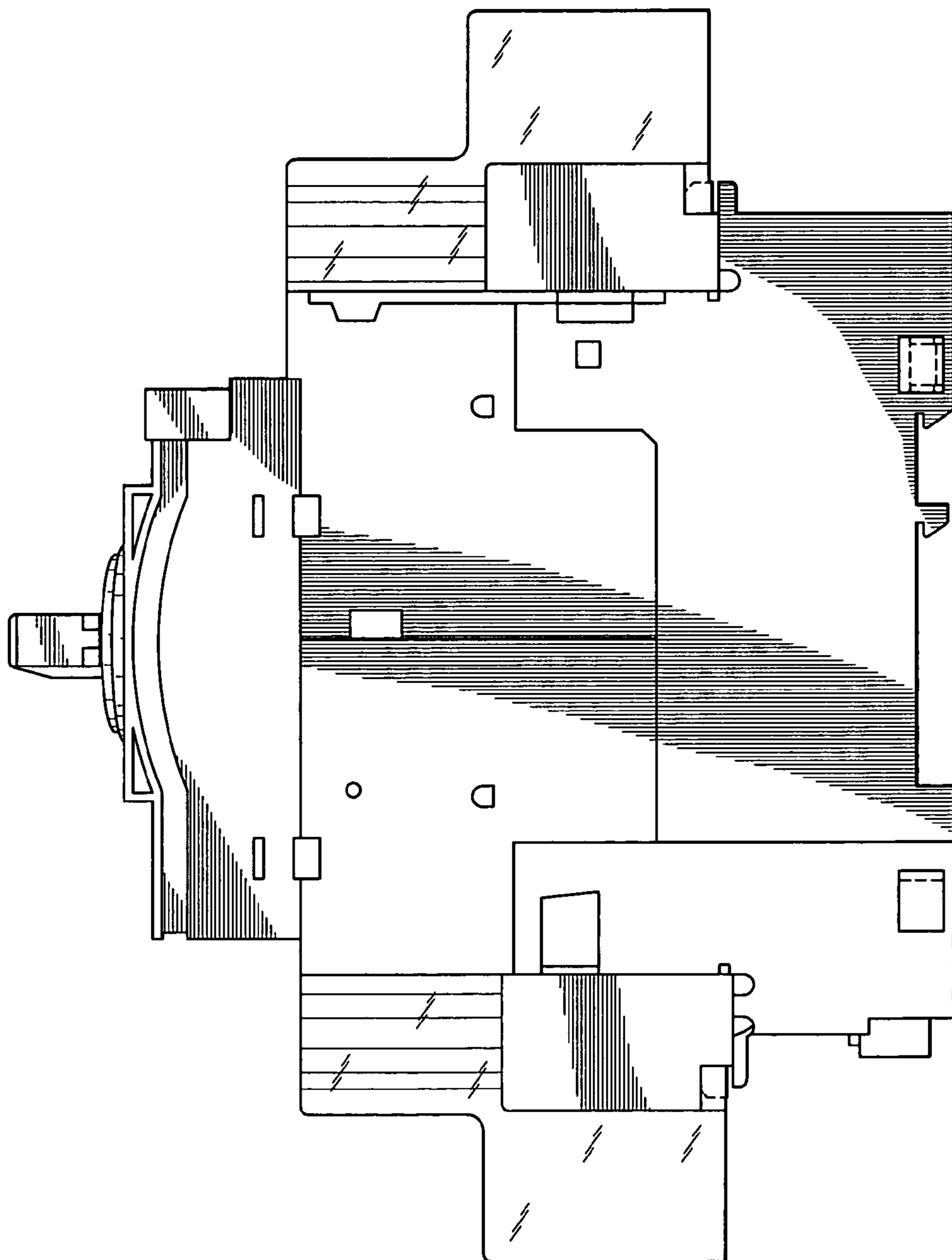


FIG. 7



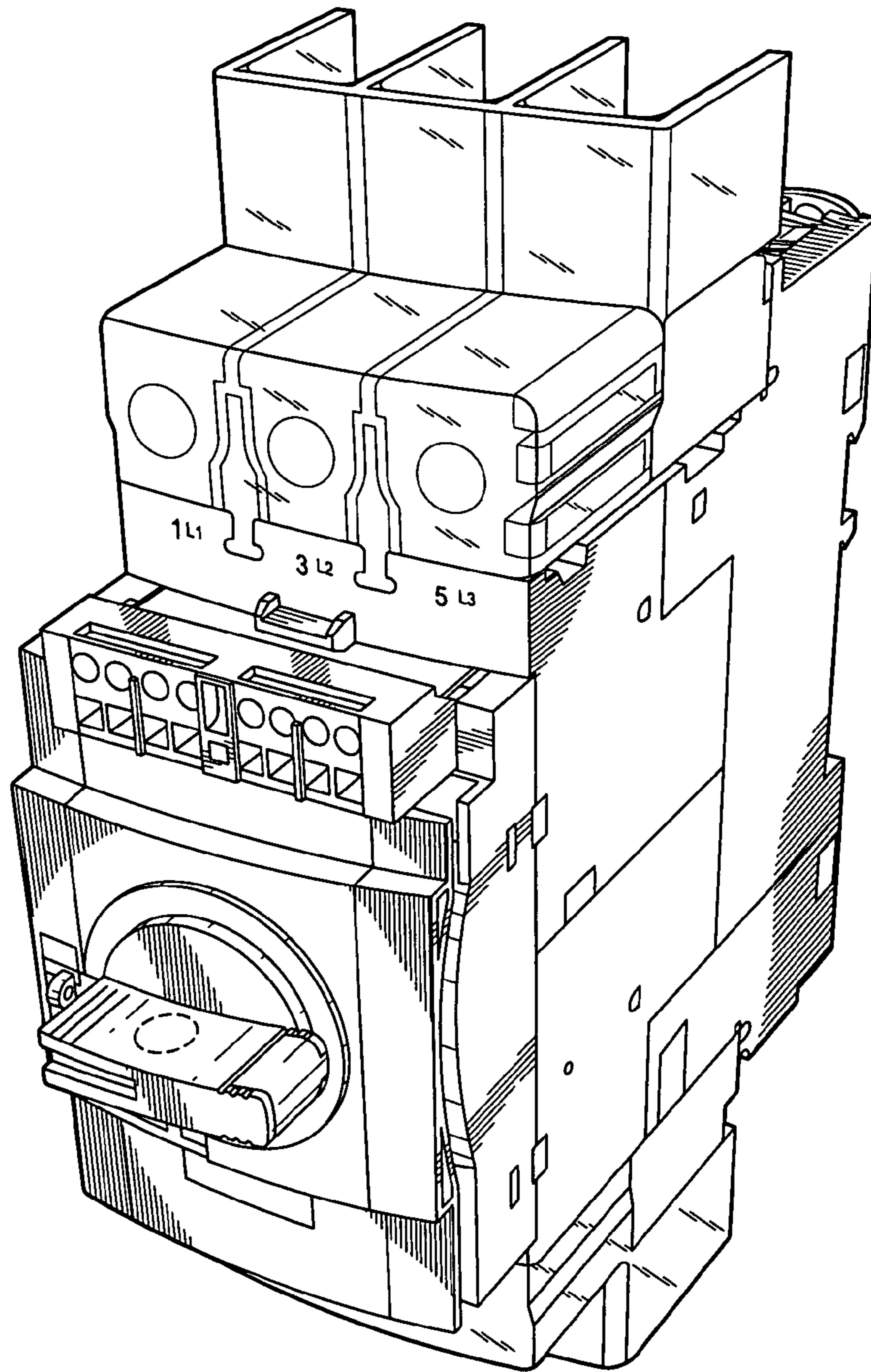


FIG. 8

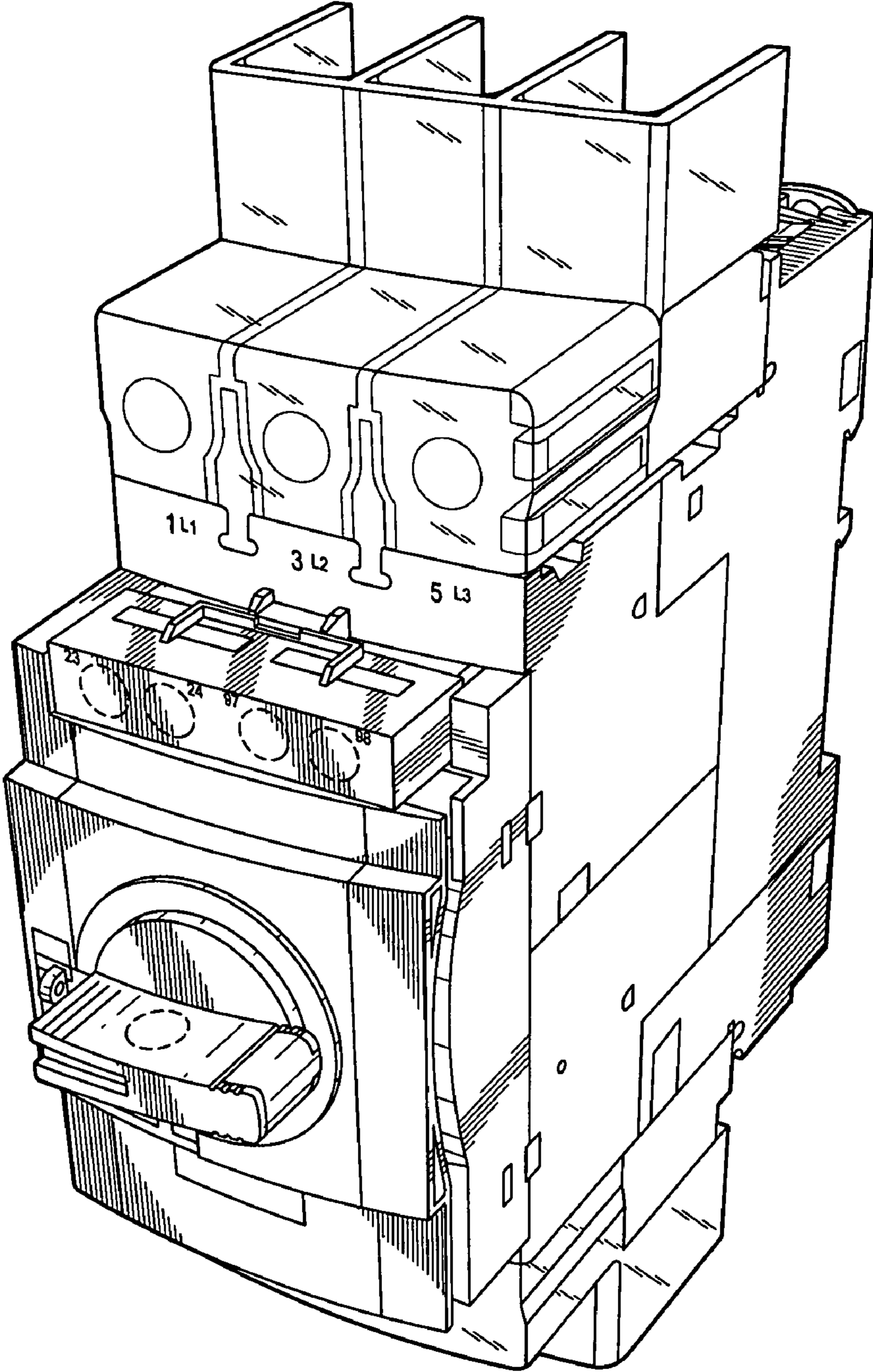


FIG. 9