



US00D580879S

(12) **United States Design Patent**
Andersson

(10) **Patent No.:** **US D580,879 S**

(45) **Date of Patent:** **** Nov. 18, 2008**

(54) **POSITION SWITCH**

(75) Inventor: **Jan Andersson**, Erlangen (DE)

(73) Assignee: **Siemens Aktiengesellschaft**, Munich (DE)

(**) Term: **14 Years**

(21) Appl. No.: **29/270,684**

(22) Filed: **Jan. 3, 2007**

(30) **Foreign Application Priority Data**

Jul. 3, 2006 (EM) 000560123

(51) **LOC (8) Cl.** **13-03**

(52) **U.S. Cl.** **D13/158**

(58) **Field of Classification Search** D13/110,
D13/133, 160; 174/50, 66, 65 R, 67, 70 R,
174/77 R, 77 S, 92; 200/5 R, 43.11, 43.14,
200/50.01, 50.15, 293, 293.1, 303, 401; 335/68,
335/132, 202; 361/42, 44, 45, 50, 71, 115,
361/118, 119, 679; 439/578, 638, 675, 687,
439/696, 825, 842, 844, 620

See application file for complete search history.

(56) **References Cited**

U.S. PATENT DOCUMENTS

D313,971 S * 1/1991 Rosenbaum et al. D13/160
D391,227 S * 2/1998 Dickey D13/133
D401,908 S * 12/1998 Cook D13/160
D418,482 S * 1/2000 MacKay D13/160
D454,546 S * 3/2002 MacKay D13/160
6,774,326 B2 * 8/2004 Rochard et al. 200/293
D519,937 S * 5/2006 Laurent et al. D13/160
D521,457 S * 5/2006 Laurent et al. D13/160

FOREIGN PATENT DOCUMENTS

JP D 1099790 A 2/2001

JP D 1102740 3/2001
JP D 1138436 A 4/2002
JP D 1243718 6/2005
TW D 502993 10/1990
TW D 559491 4/1991
TW D 0572652 12/1991
TW D 0103562 10/1992

OTHER PUBLICATIONS

AS—Interface position switch; Siemens Energy & Automation Inc., Industrial Controls Catalog LV 10, Edition 2004; p. 14/20-14/22; Others; 2004; US.

* cited by examiner

Primary Examiner—Daniel D Bui

Assistant Examiner—Thomas J Johannes

(74) *Attorney, Agent, or Firm*—Harness, Dickey & Pierce P.L.C.

(57) **CLAIM**

The ornamental design for a position switch, as shown and described.

DESCRIPTION

FIG. 1 is a front elevational view of a position switch showing my new design;

FIG. 2 is a rear elevational view thereof;

FIG. 3 is a top plan view thereof;

FIG. 4 is a bottom plan view thereof;

FIG. 5 is a left side elevational view thereof;

FIG. 6 is a right side elevational view thereof;

FIG. 7 is a perspective view thereof; and,

FIG. 8 is a second perspective view thereof.

The broken lines shown in the drawings are for illustrative purposes only and form no part of the claimed design.

1 Claim, 8 Drawing Sheets

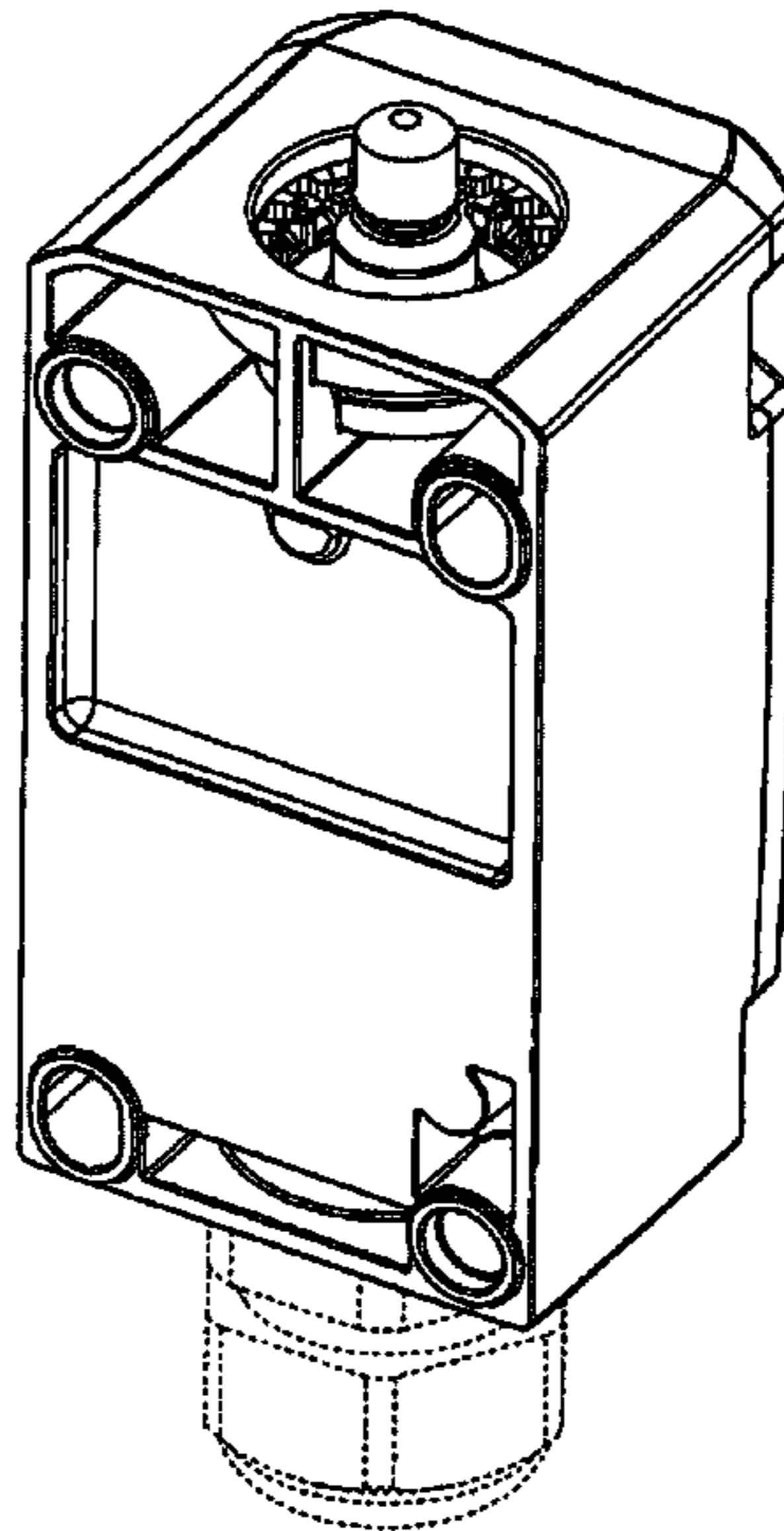
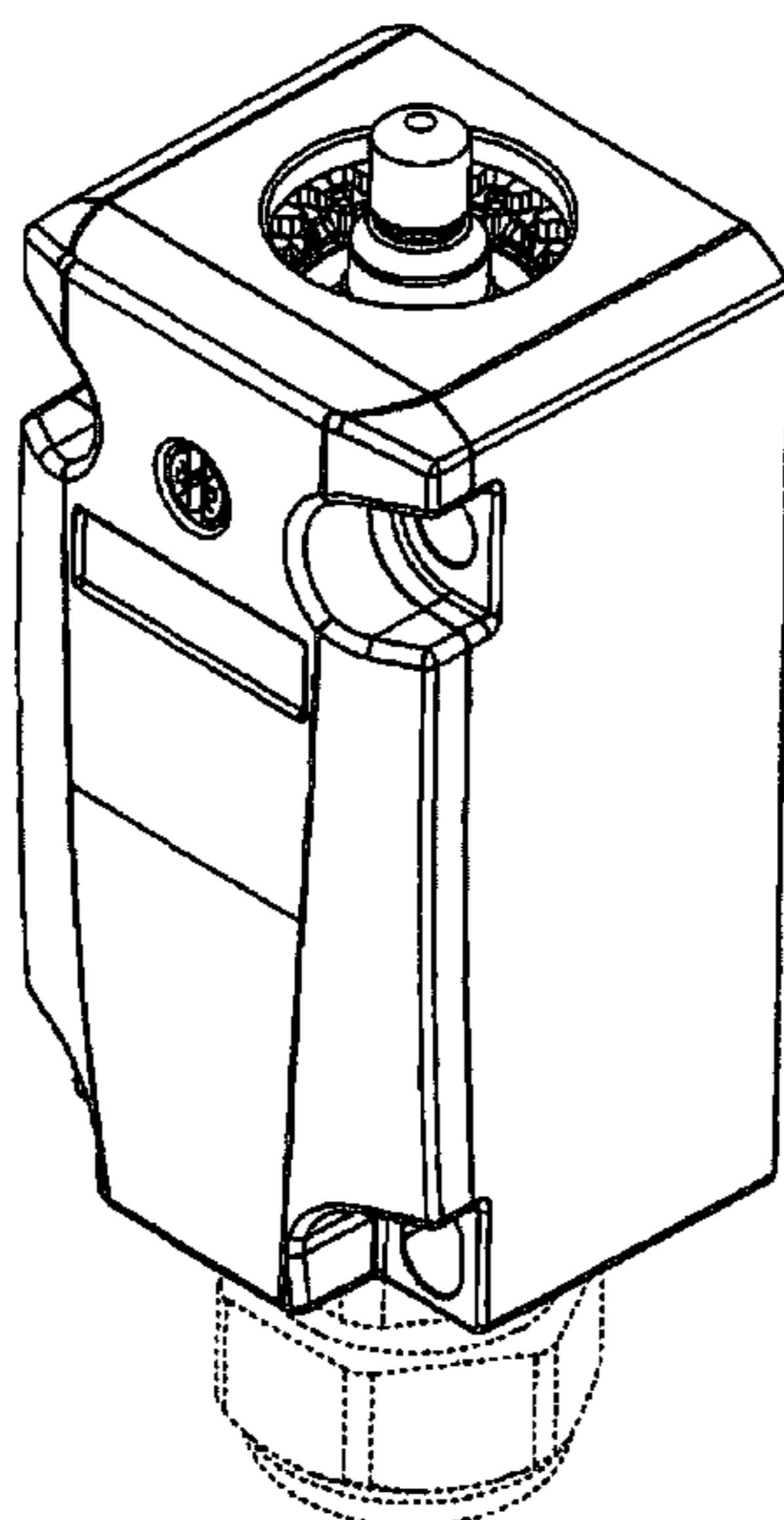


FIG 1

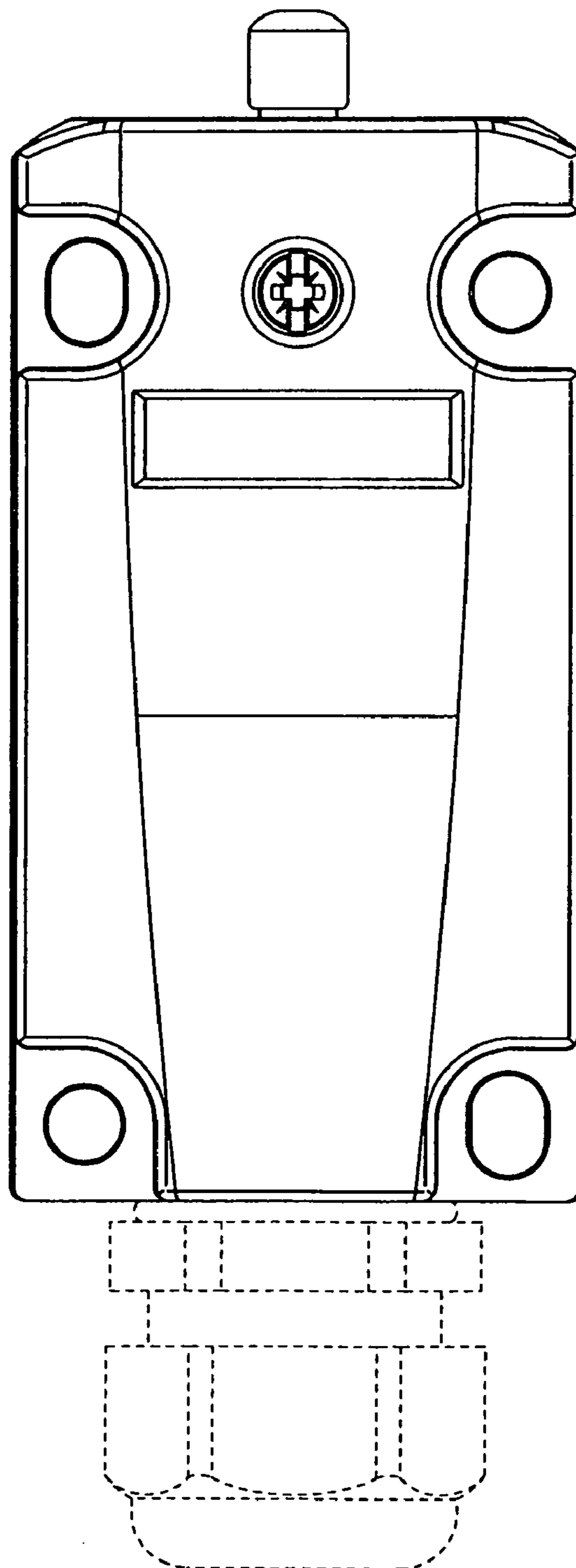


FIG 2

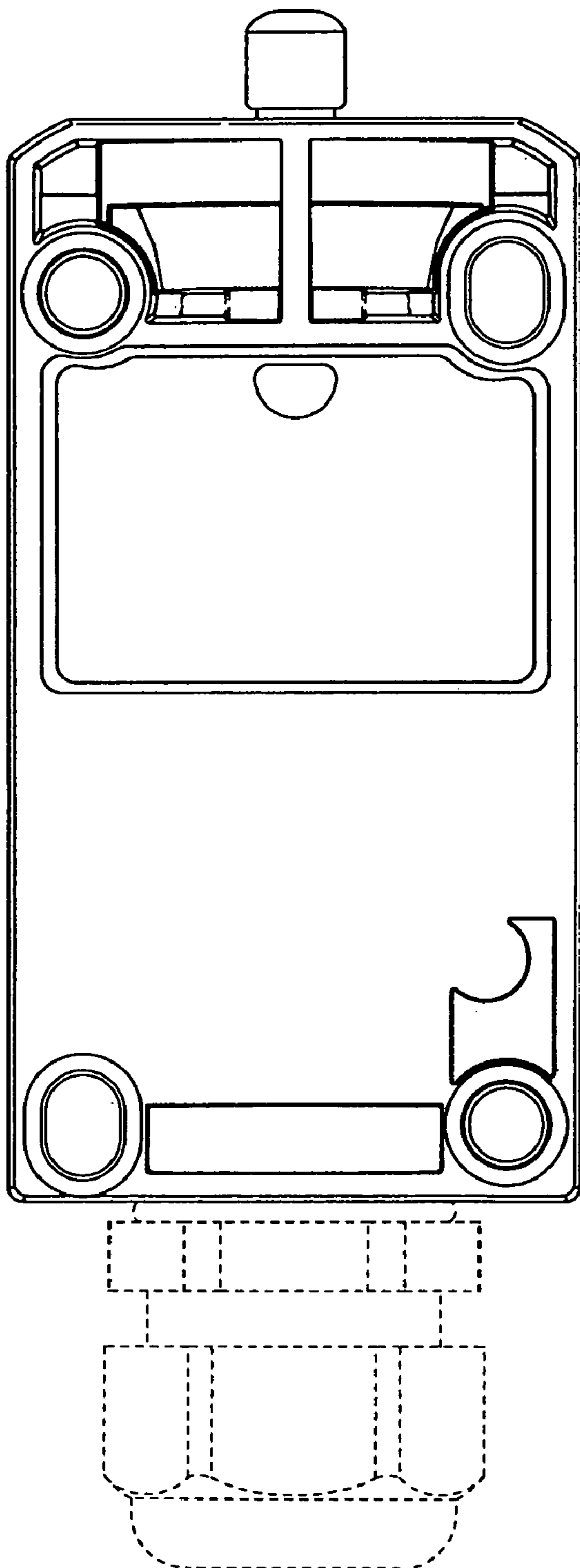


FIG 3

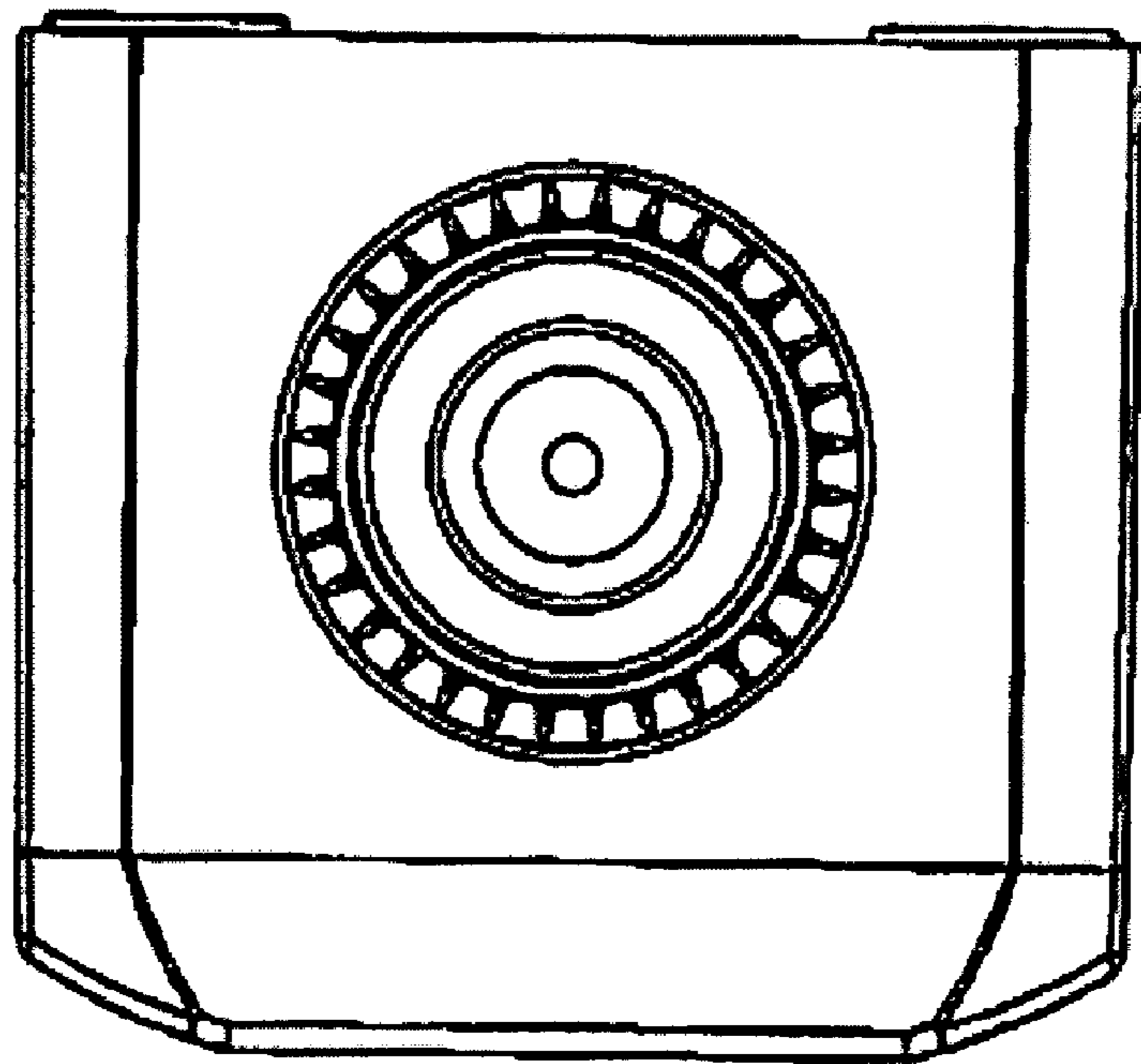


FIG 4

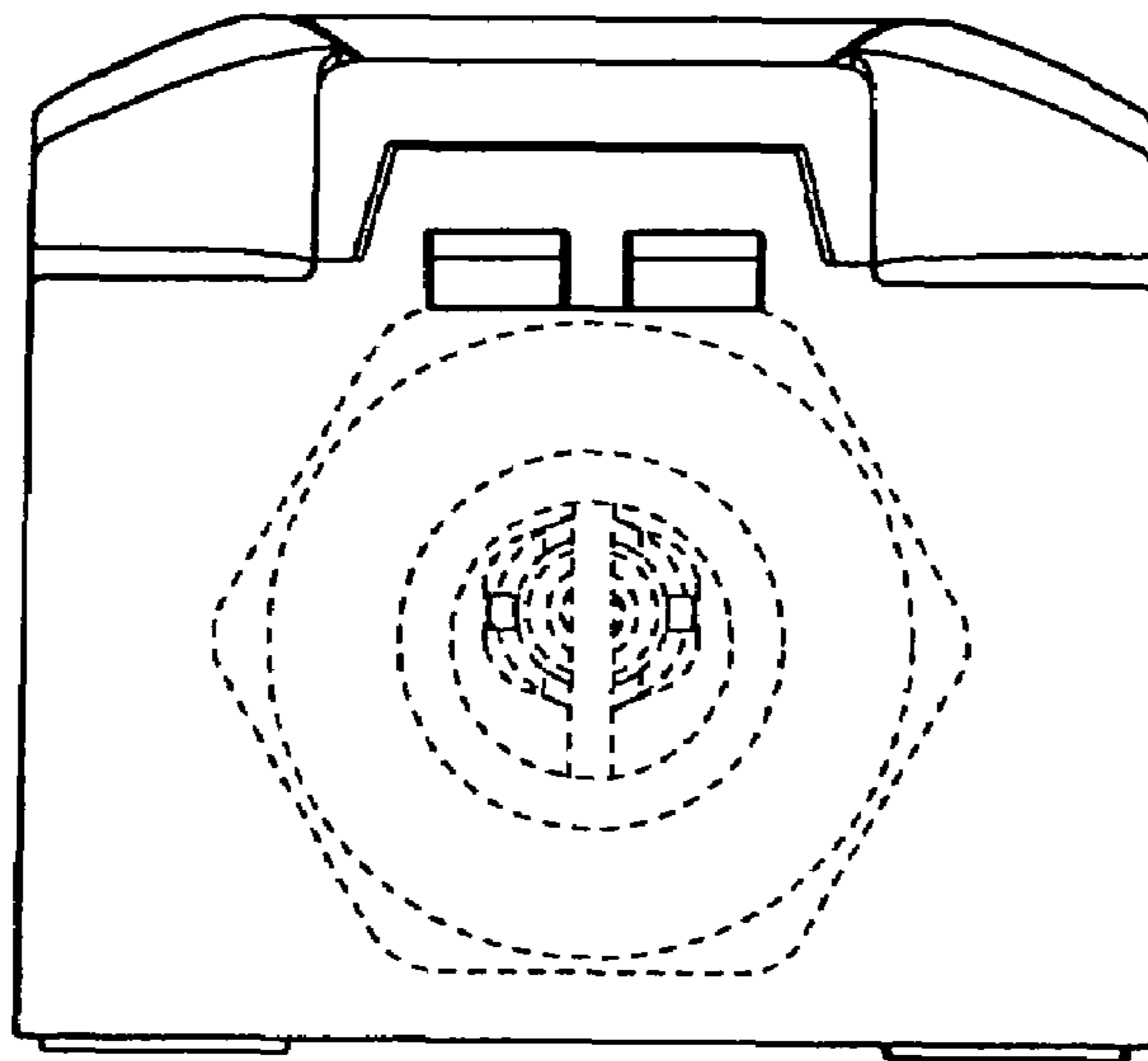


FIG 5

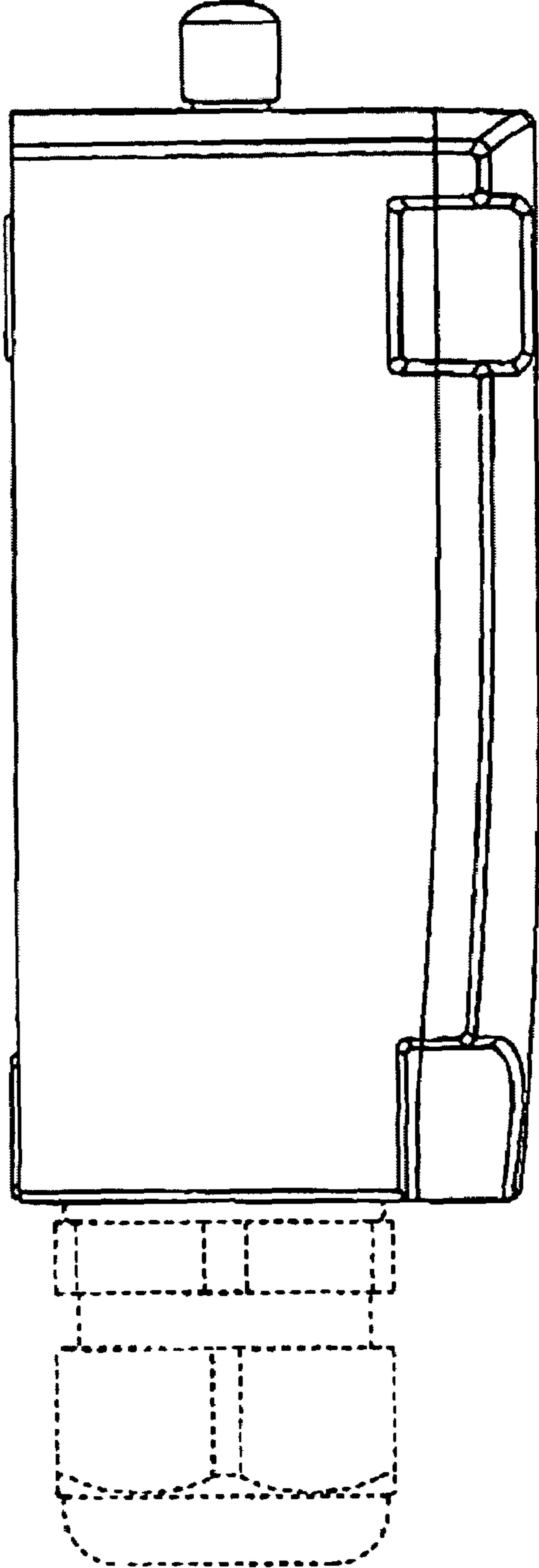


FIG 6

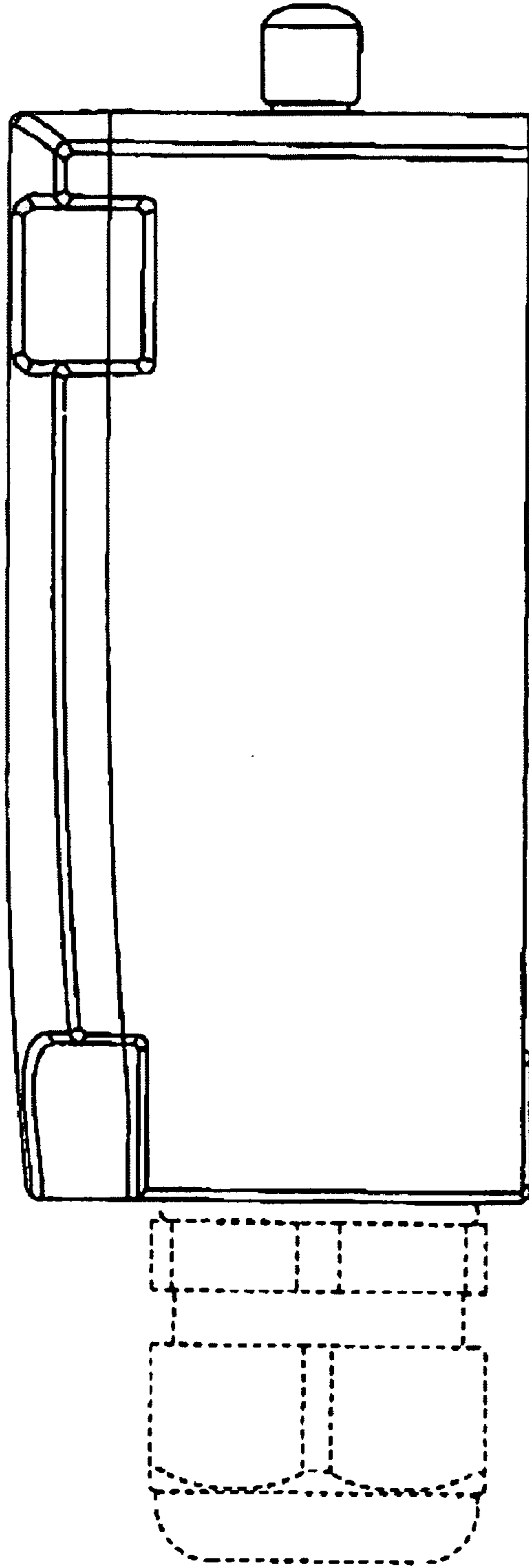


FIG 7

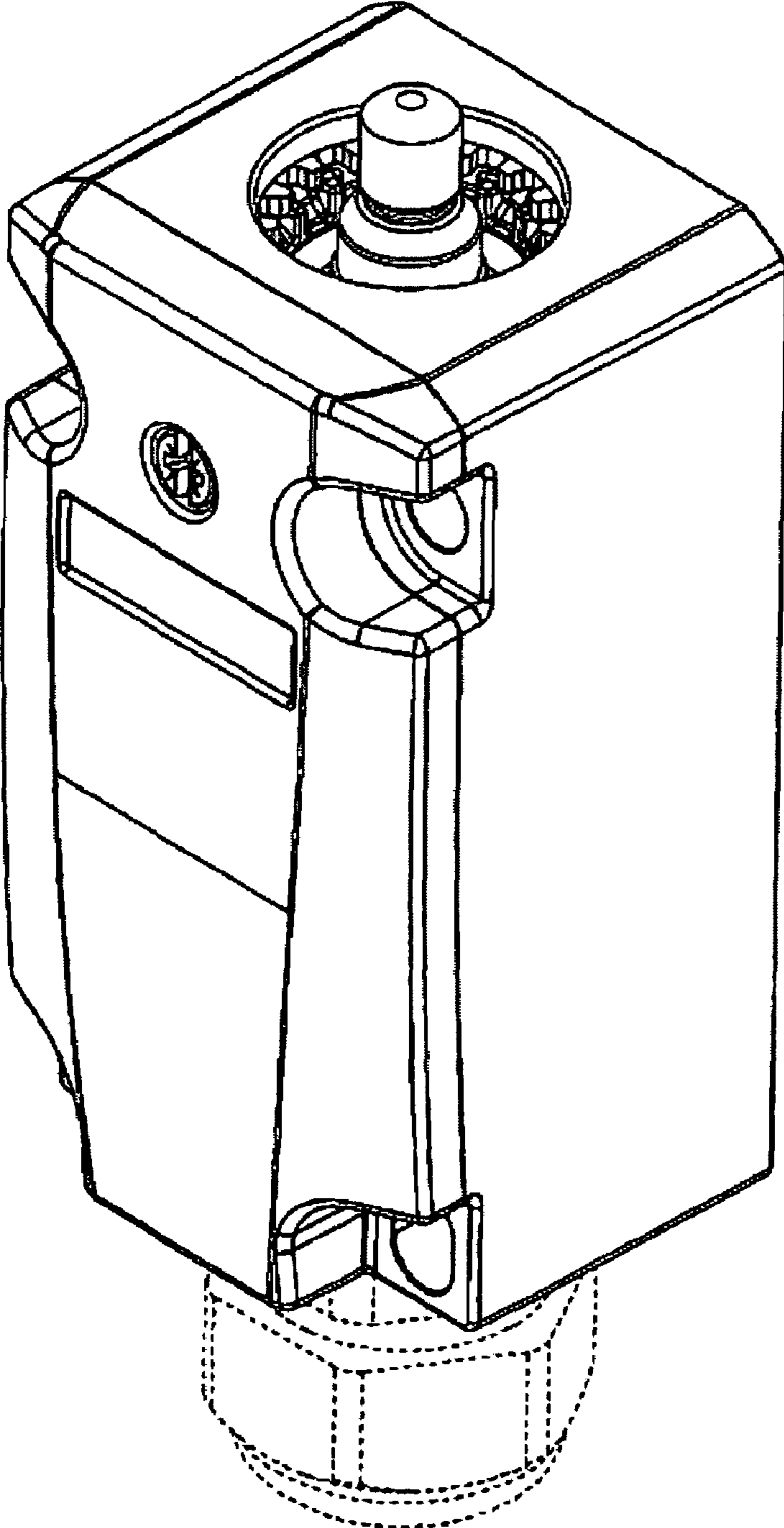
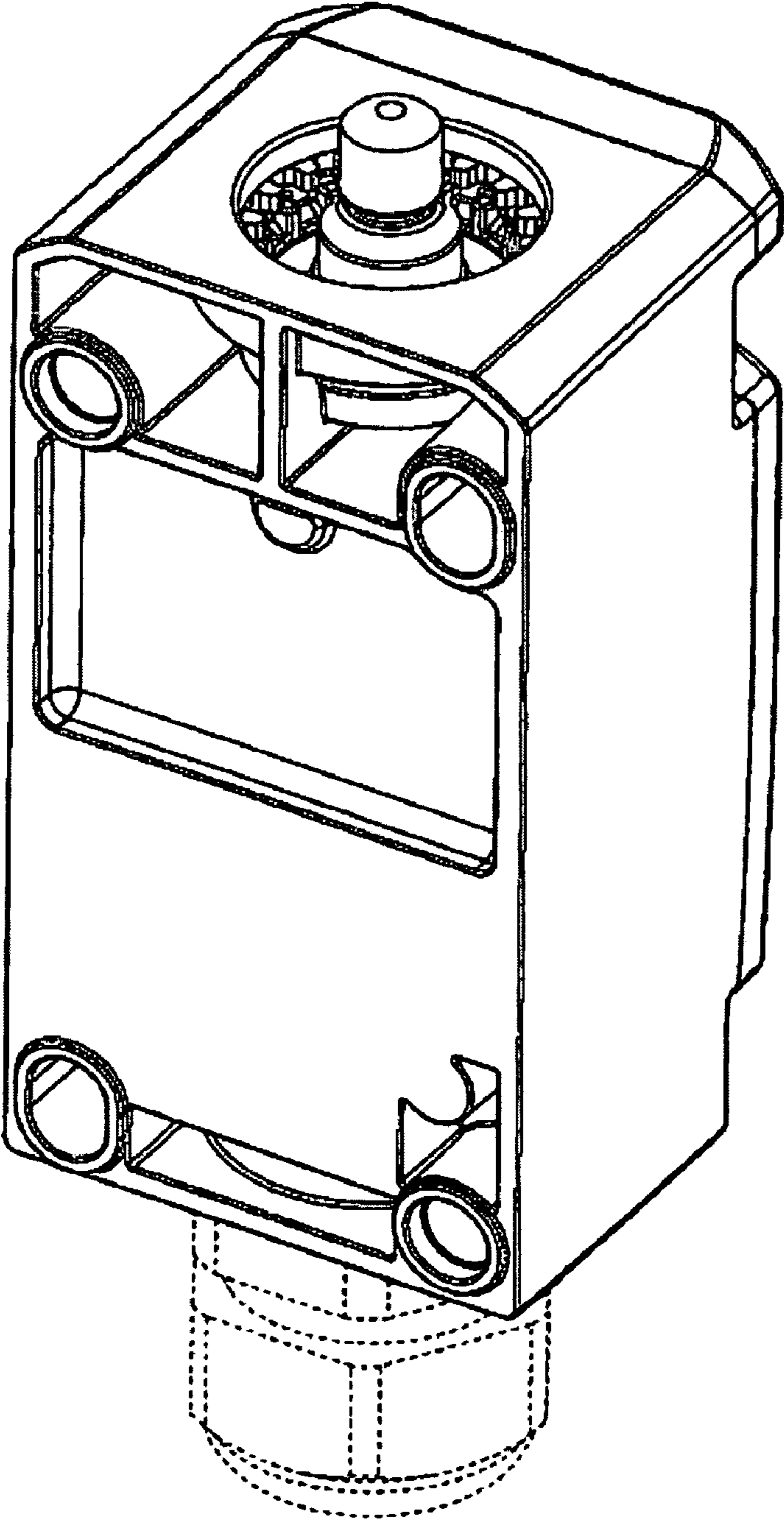


FIG 8



UNITED STATES PATENT AND TRADEMARK OFFICE
CERTIFICATE OF CORRECTION

PATENT NO. : Des. 580,879 S
APPLICATION NO. : 29/270684
DATED : November 18, 2008
INVENTOR(S) : Jan Andersson

Page 1 of 1

It is certified that error appears in the above-identified patent and that said Letters Patent is hereby corrected as shown below:

On the title page item (30), should read:

Foreign Application Priority Data

Jul. 3, 2006 (EU)000560123

Signed and Sealed this

Seventeenth Day of February, 2009



JOHN DOLL

Acting Director of the United States Patent and Trademark Office