



US00D580878S

(12) **United States Design Patent**  
**Milner**

(10) **Patent No.:** **US D580,878 S**

(45) **Date of Patent:** **\*\* Nov. 18, 2008**

(54) **WILDLIFE GUARD FOR HIGH VOLTAGE BUSHING**

(75) Inventor: **Bobby A. Milner**, Pine Bluff, AR (US)

(73) Assignee: **Central Moloney, Inc.**, Pine Bluff, AR (US)

(\*\*) Term: **14 Years**

(21) Appl. No.: **29/262,608**

(22) Filed: **Jul. 7, 2006**

(51) **LOC (8) Cl.** ..... **13-03**

(52) **U.S. Cl.** ..... **D13/156**

(58) **Field of Classification Search** ..... D13/156;  
427/421.1, 422, 426, 427, 5 R, 138 F  
See application file for complete search history.

(56) **References Cited**

U.S. PATENT DOCUMENTS

- 4,845,307 A \* 7/1989 Cumming et al. .... 174/5 R
- 6,005,196 A \* 12/1999 Spillyards ..... 174/138 F
- 6,255,597 B1 \* 7/2001 Bowling et al. .... 174/138 F
- 6,963,025 B1 \* 11/2005 Kysely ..... 174/5 R
- 7,244,470 B2 \* 7/2007 Niles ..... 427/421.1

OTHER PUBLICATIONS

Website, [http://www.cmclugs.com/media/pdf/utilities\\_catalog/accessories.pdf](http://www.cmclugs.com/media/pdf/utilities_catalog/accessories.pdf), CMC/ESP Utility Products, Animal/Bird Guards, pp. H-6 and H-7, revised Apr. 2002.

\* cited by examiner

*Primary Examiner*—Brian N Vinson

(74) *Attorney, Agent, or Firm*—Ray F. Cox, Jr.

(57) **CLAIM**

The ornamental design for a wildlife guard for high voltage bushing, as shown and described.

**DESCRIPTION**

FIG. 1 is a perspective view from the bottom of the wildlife guard for high voltage bushing of the present invention.

FIG. 2 is a top plan view thereof.

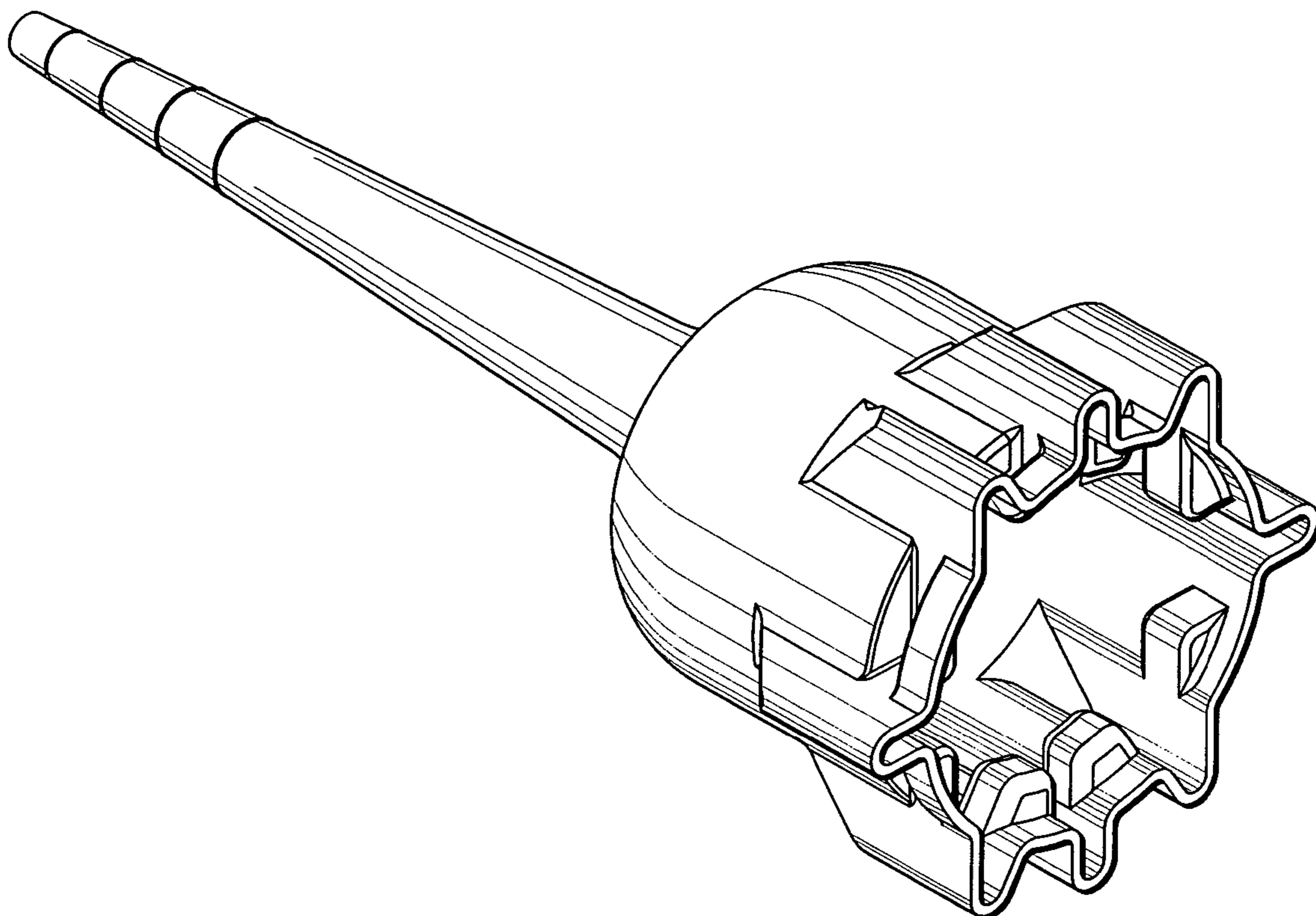
FIG. 3 is a front elevation view thereof.

FIG. 4 is a side elevation view thereof. The left and right side views are identical.

FIG. 5 is a rear elevation view thereof; and,

FIG. 6 is a bottom plan view thereof.

**1 Claim, 3 Drawing Sheets**



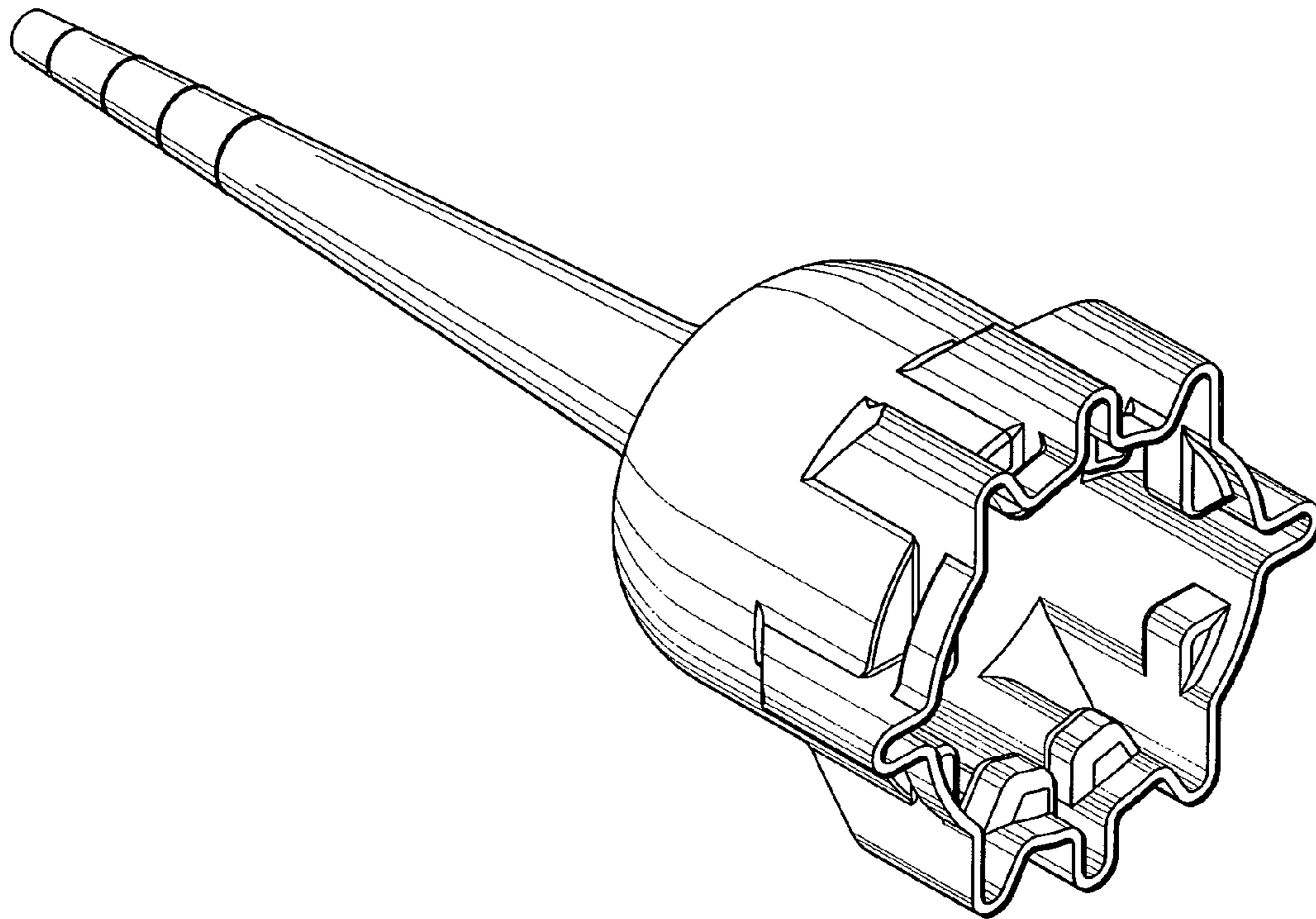


FIG. 1

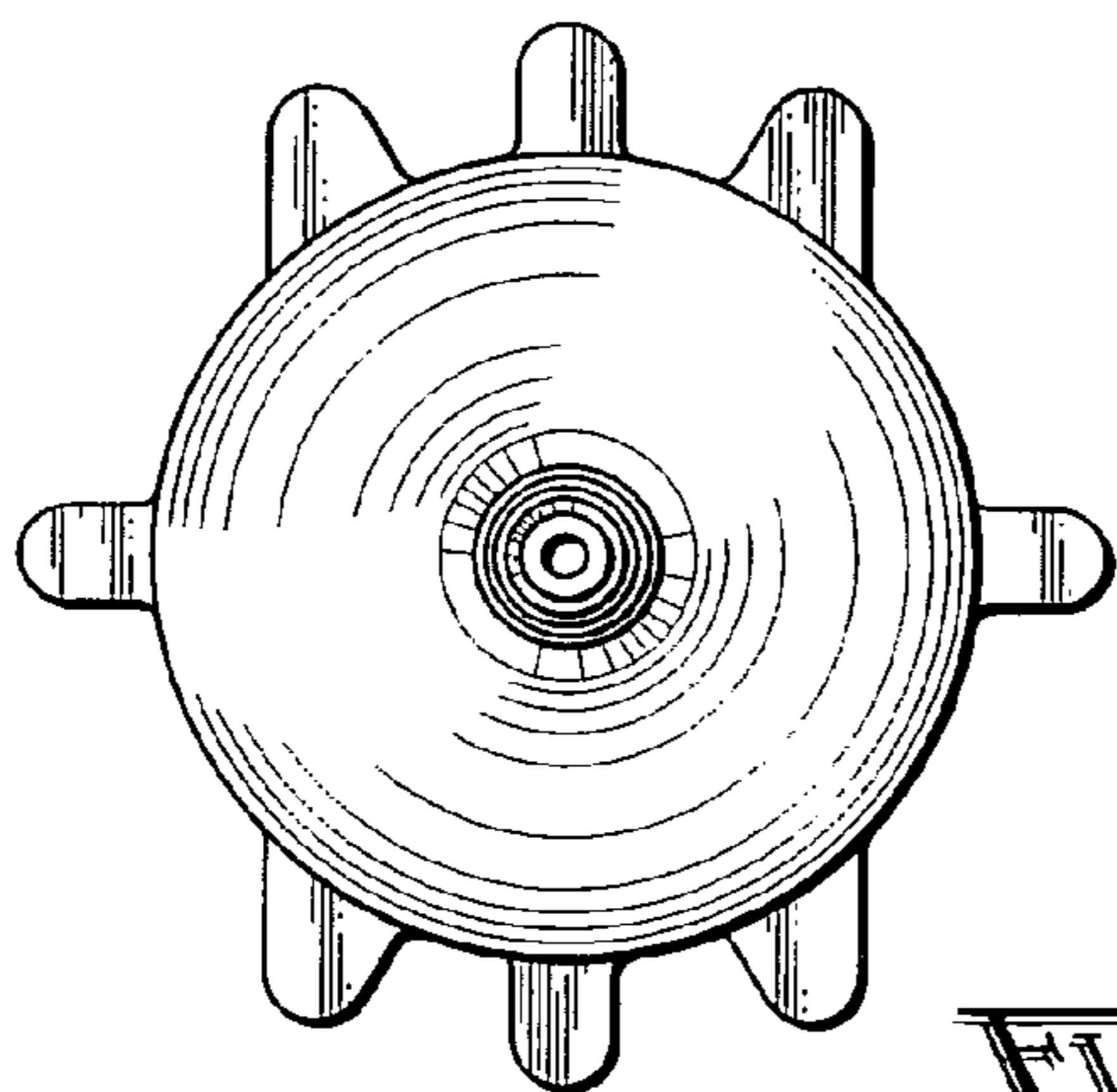


FIG. 2

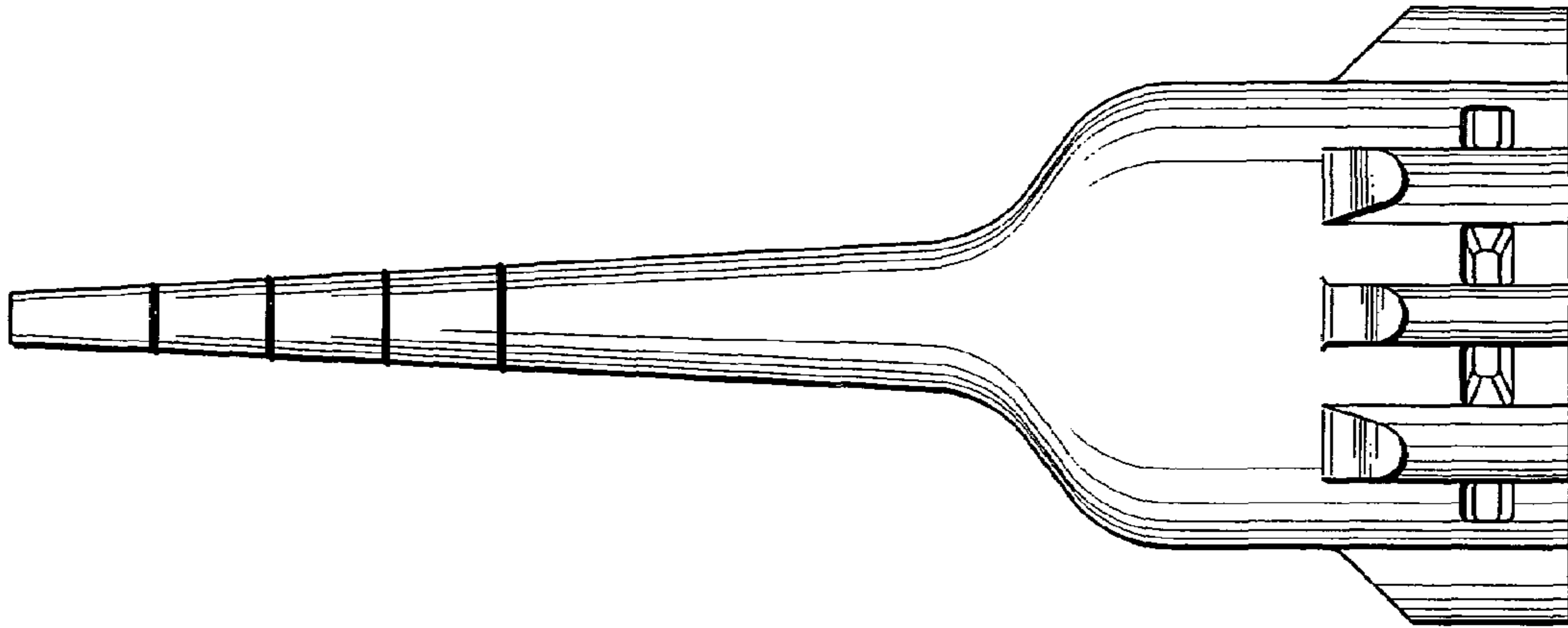


FIG. 3

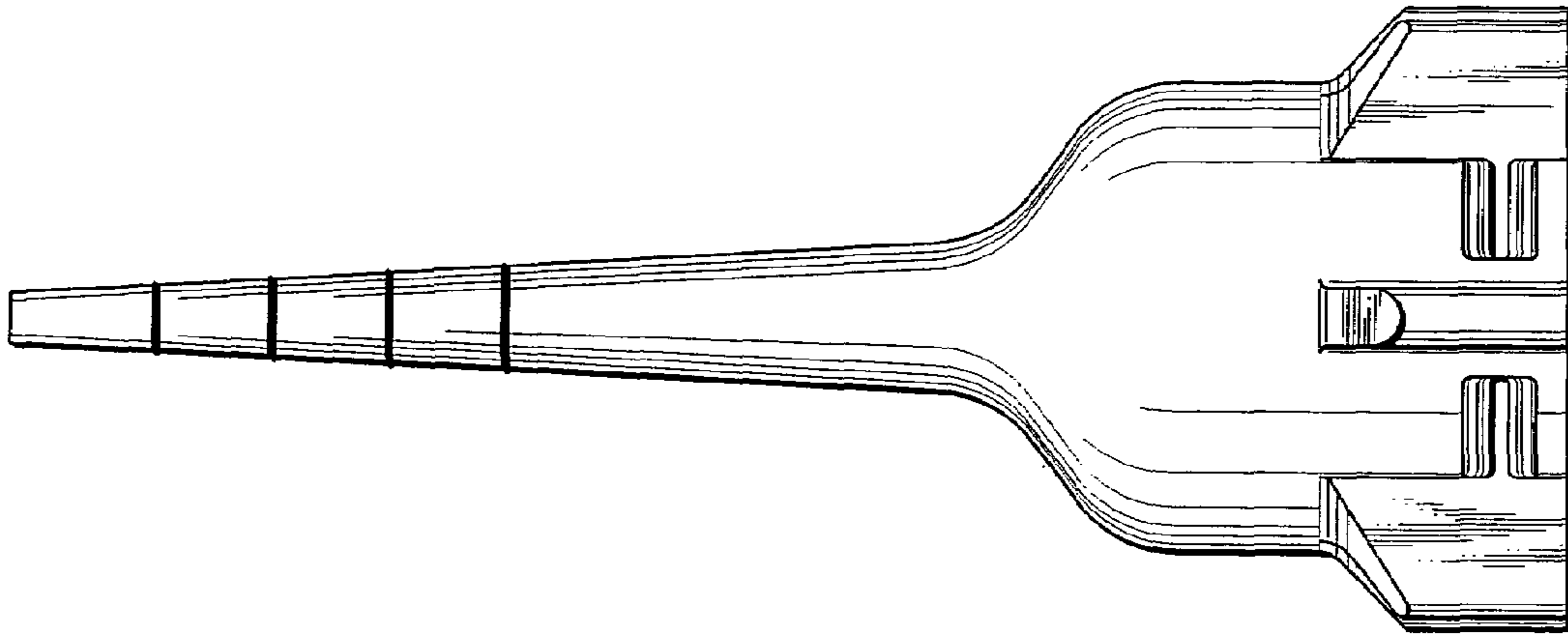


FIG. 4

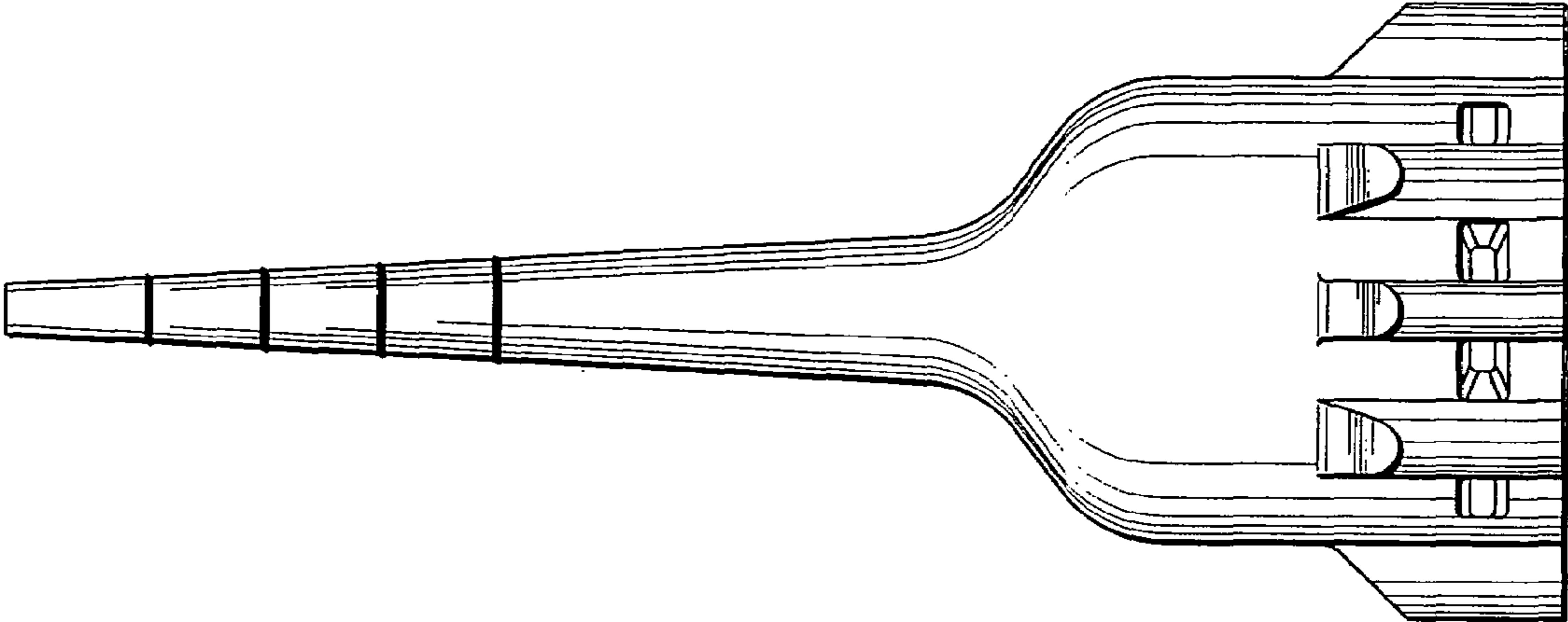


FIG. 5

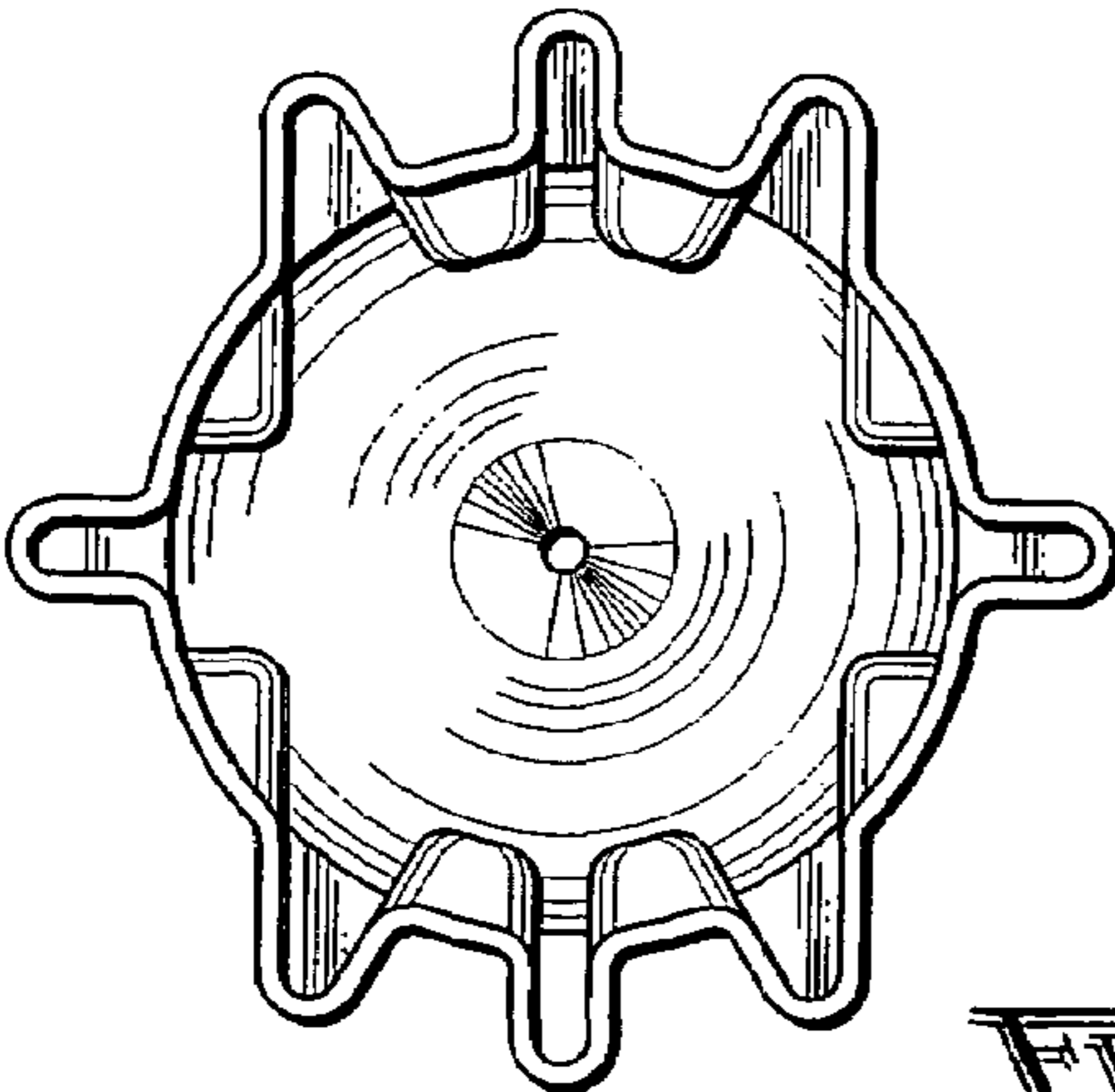


FIG. 6