



US00D580877S

(12) **United States Design Patent**
Farahani

(10) **Patent No.:** **US D580,877 S**

(45) **Date of Patent:** **** Nov. 18, 2008**

(54) **KEYED ELECTRICAL CONNECTOR**

(75) Inventor: **Fereidoun A. Farahani**, Woodbridge,
CT (US)

(73) Assignee: **Nexus Incorporated**, Stamford, CT
(US)

(**) Term: **14 Years**

(21) Appl. No.: **29/305,930**

(22) Filed: **Mar. 31, 2008**

Related U.S. Application Data

(62) Division of application No. 29/283,915, filed on Aug.
27, 2007.

(51) **LOC (8) Cl.** **13-03**

(52) **U.S. Cl.** **D13/154; D13/146; D13/147**

(58) **Field of Classification Search** **D13/146,**
D13/147, 154; 439/155, 460, 578, 597, 600,
439/660, 668, 680

See application file for complete search history.

(56) **References Cited**

U.S. PATENT DOCUMENTS

D162,795 S * 4/1951 Tar D13/146
3,818,420 A * 6/1974 Barr 439/261

4,229,064 A * 10/1980 Vetter et al. 439/680
D529,441 S * 10/2006 LaPere D13/133
D555,597 S * 11/2007 Phung et al. D13/154
2006/0258209 A1 * 11/2006 Hall 439/578

* cited by examiner

Primary Examiner—Daniel D Bui

(74) *Attorney, Agent, or Firm*—St. Onge Steward Johnston &
Reens LLC

(57) **CLAIM**

The ornamental design for a keyed electrical connector, as
shown and described.

DESCRIPTION

FIG. 1 is a front perspective view of a keyed electrical con-
nector, showing my new design;

FIG. 2 is a rear perspective view thereof;

FIG. 3 is a top view thereof;

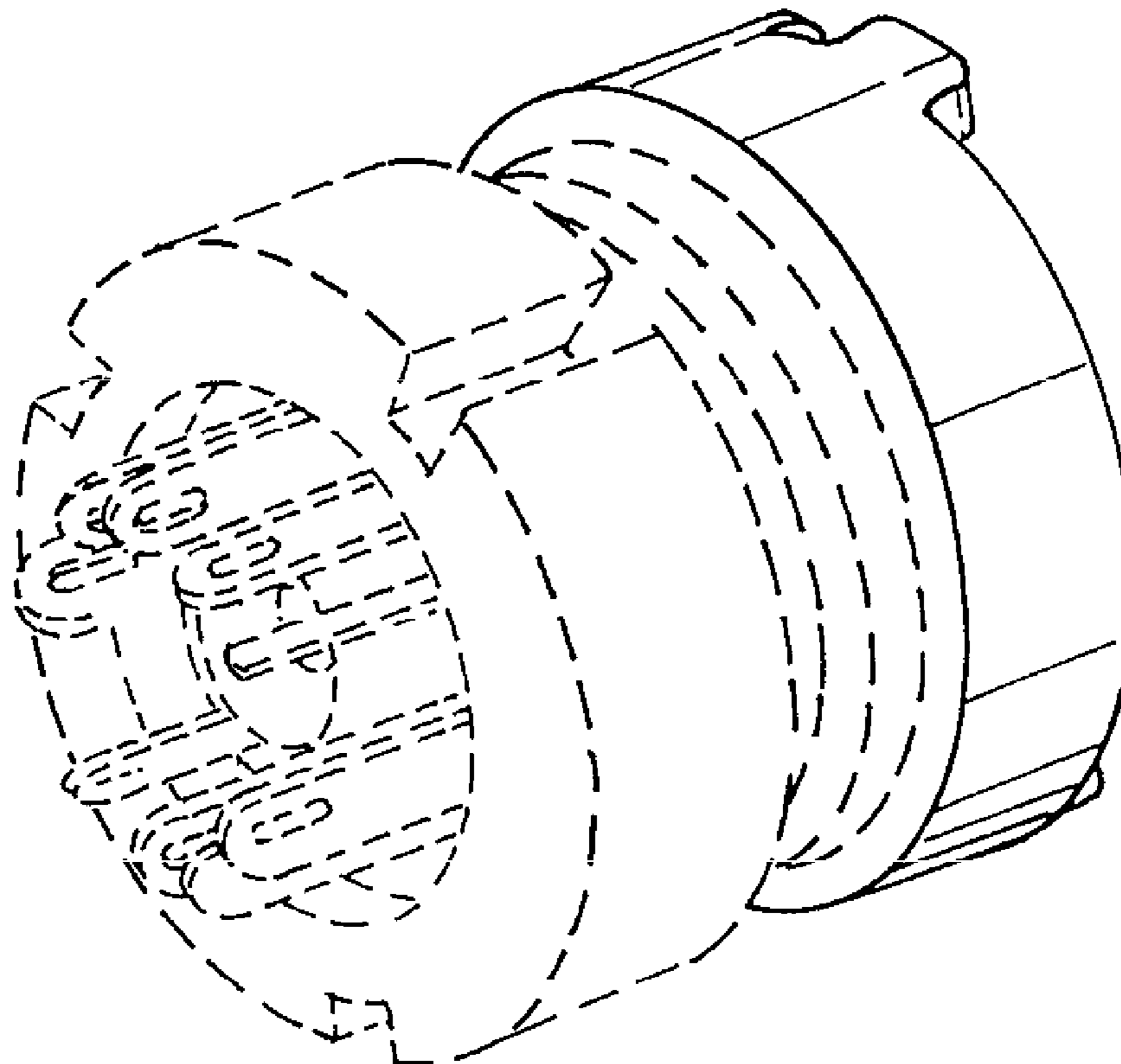
FIG. 4 is a side view thereof;

FIG. 5 is a bottom view thereof; and,

FIG. 6 is a front view thereof.

The broken line portion of the figure drawings is included to
show unclaimed subject matter only and forms no part of the
claimed design.

1 Claim, 3 Drawing Sheets



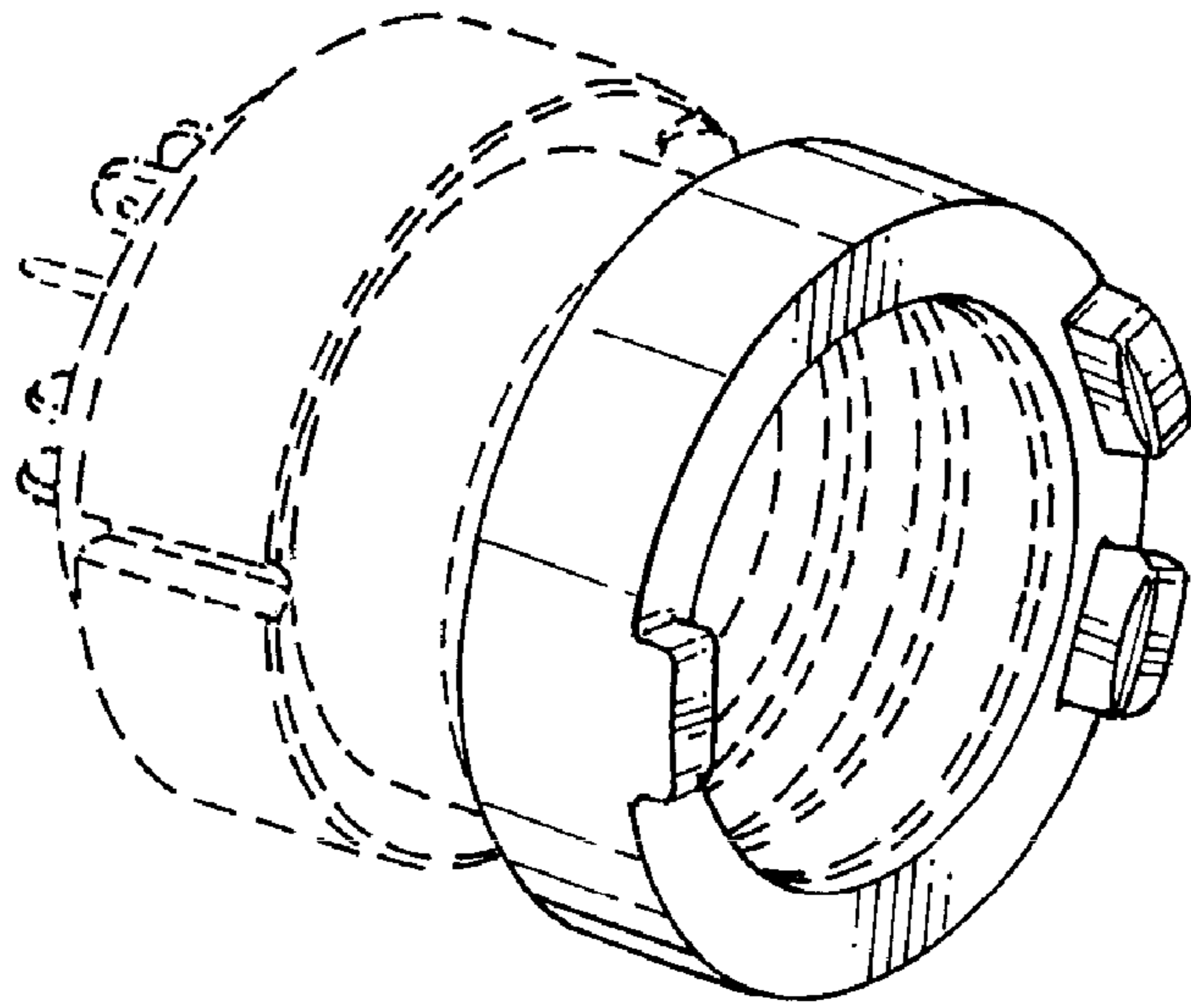


FIG. 1

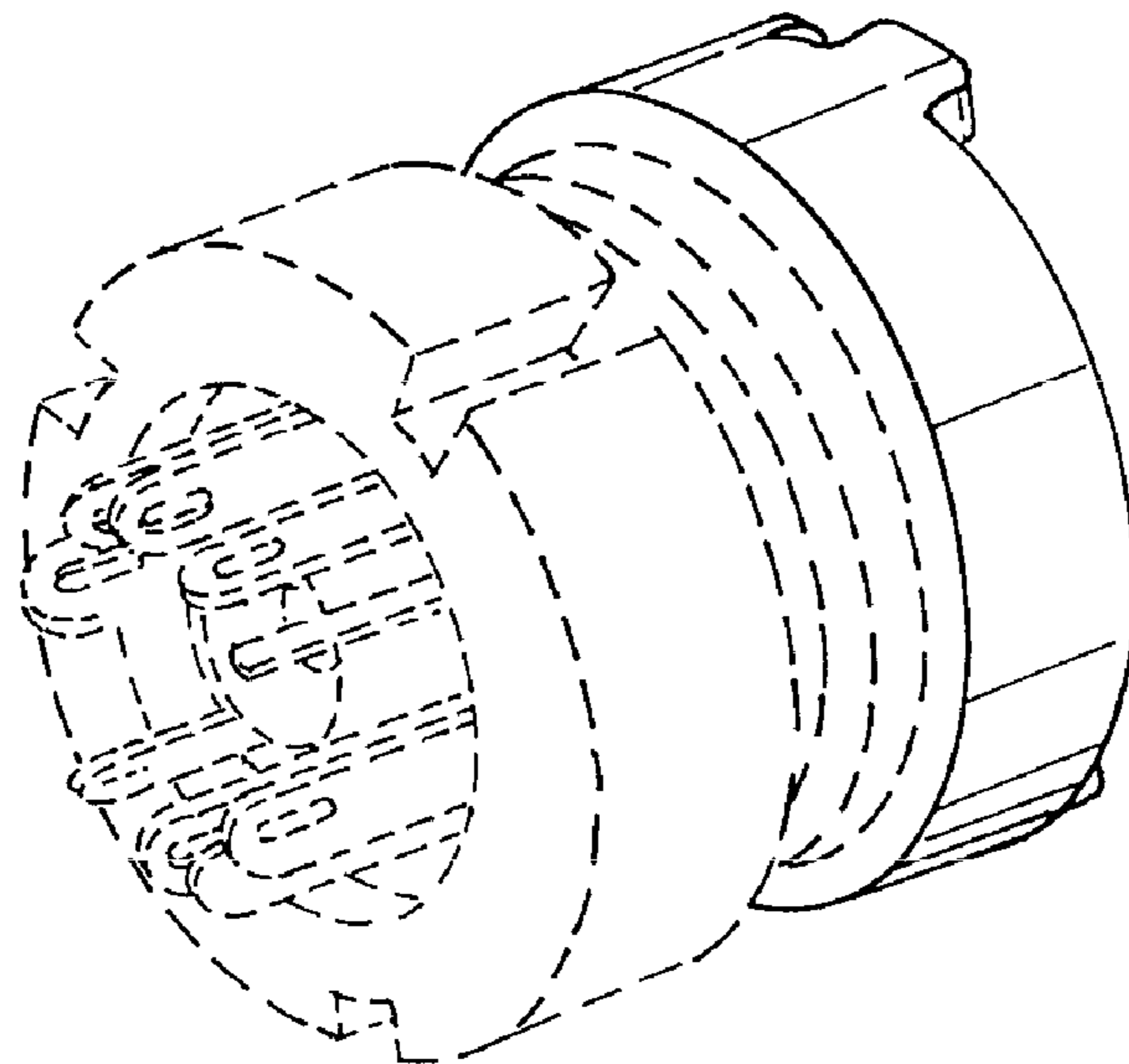


FIG. 2

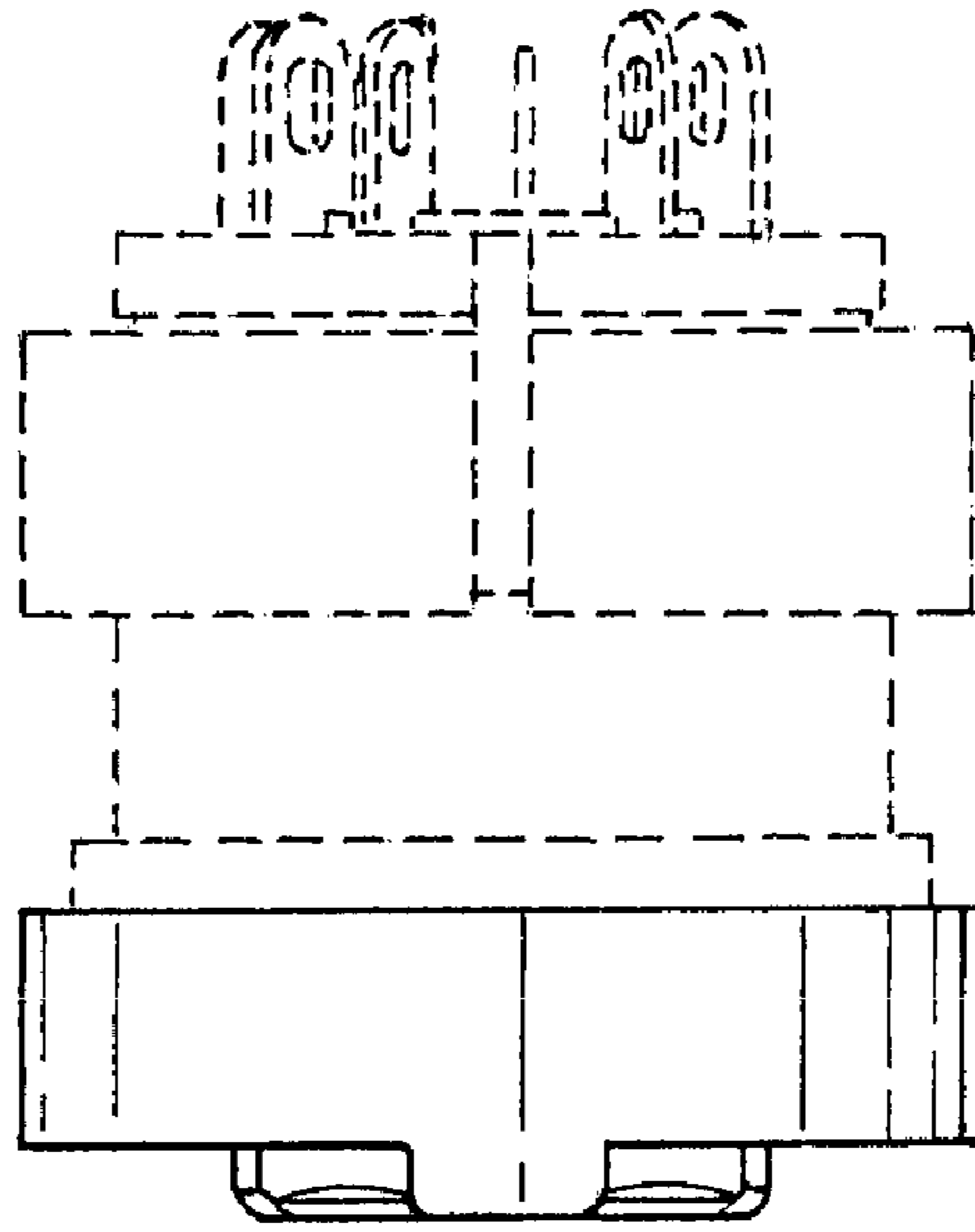


FIG. 3

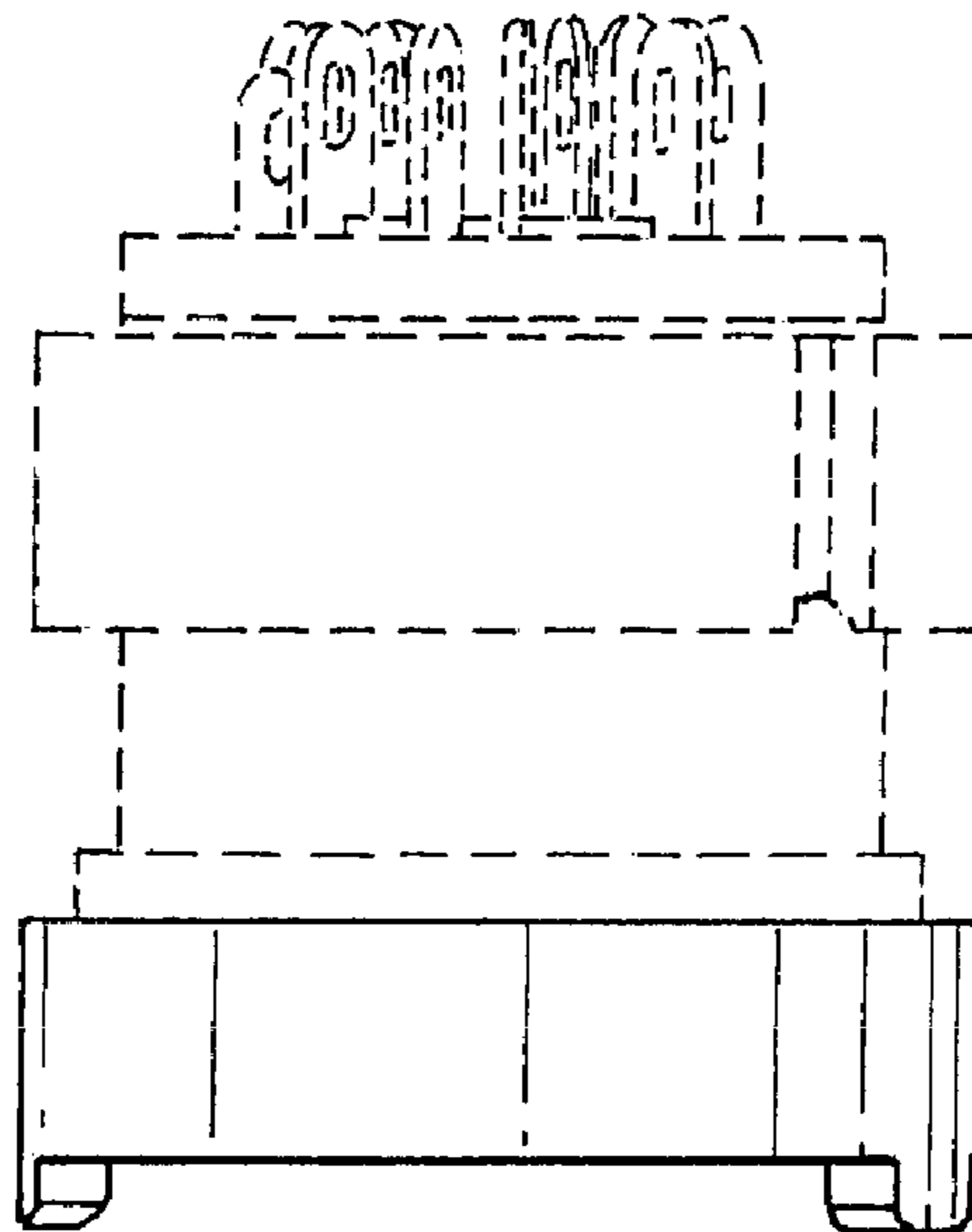


FIG. 4

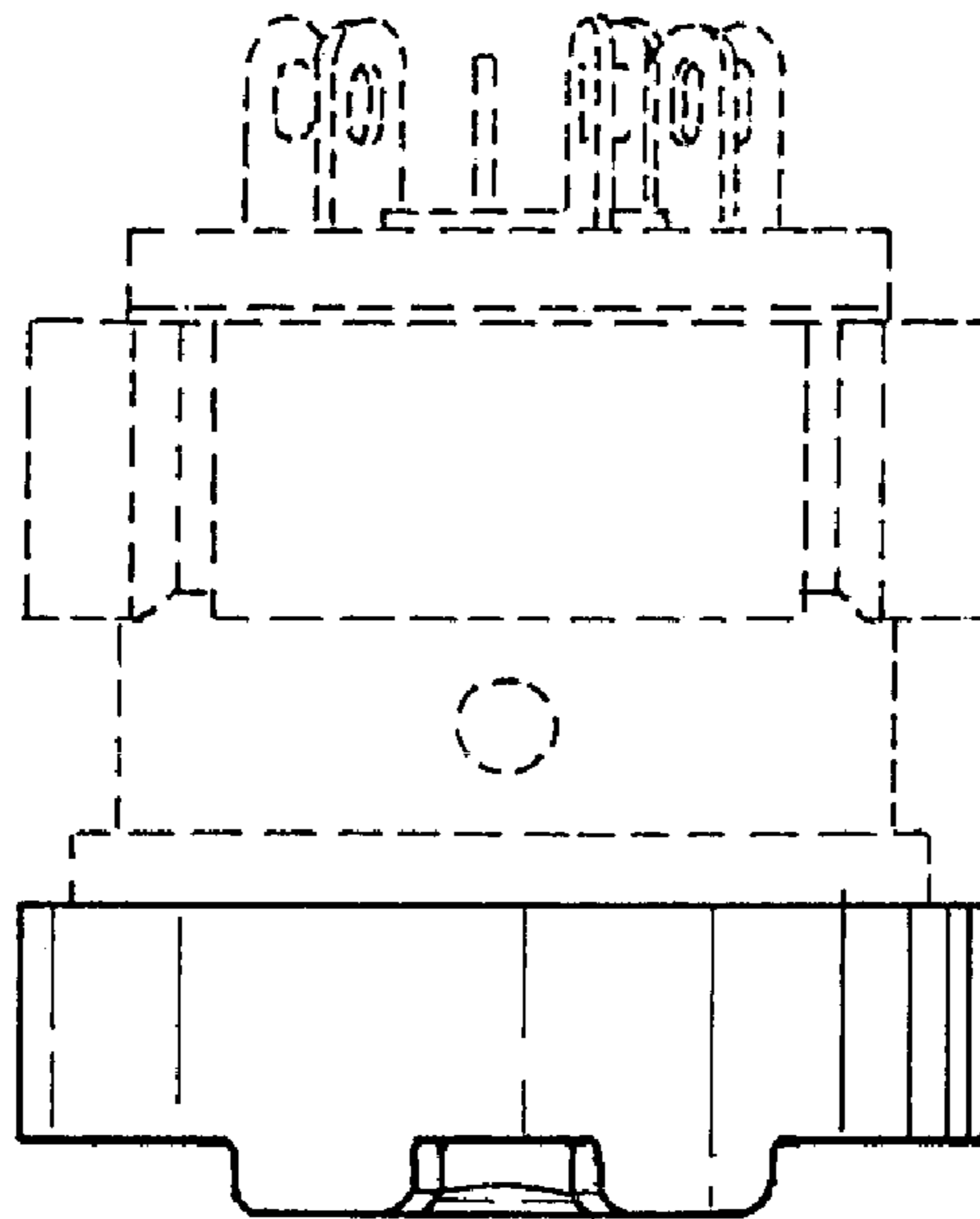


FIG. 5

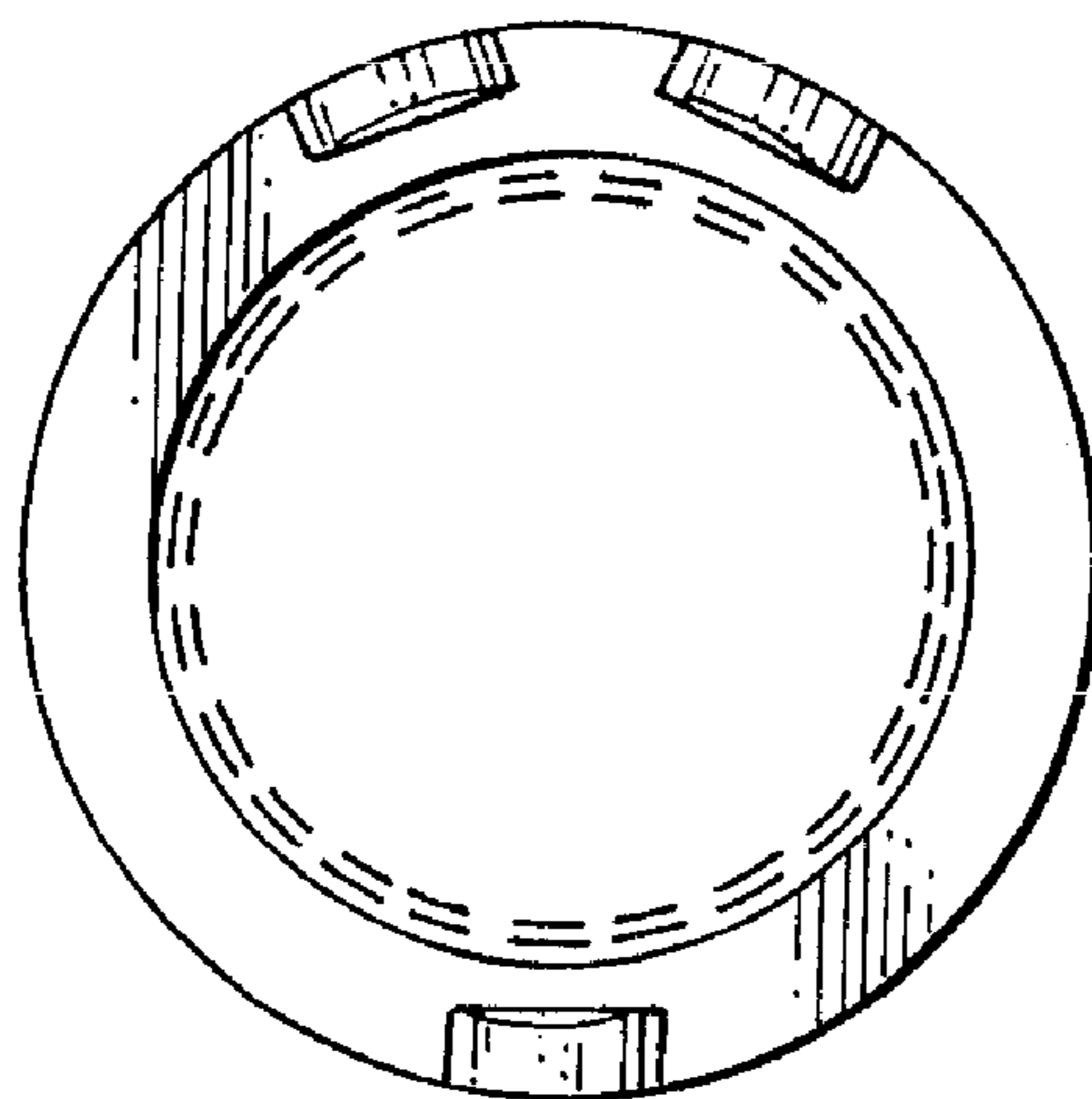


FIG. 6