



US00D580871S

(12) **United States Design Patent**  
**McCarthy**

(10) **Patent No.:** **US D580,871 S**

(45) **Date of Patent:** **\*\* Nov. 18, 2008**

(54) **RETROFIT FACE PLATE CONNECTOR  
INSERT FOR NETWORK USER DROP BOX**

D567,769 S \* 4/2008 Sinai ..... D13/152

\* cited by examiner

(75) Inventor: **Craig McCarthy**, Denton, MD (US)

*Primary Examiner*—Brian N Vinson

(73) Assignee: **Scripps Secured Data, Inc.**, Carlsbad,  
CA (US)

(74) *Attorney, Agent, or Firm*—Procopio, Cory, Hagreaves &  
Savitch LLP

(\*\*) Term: **14 Years**

(57) **CLAIM**

(21) Appl. No.: **29/305,075**

The ornamental design for a retrofit face plate connector  
insert for network user drop box, as shown and described.

(22) Filed: **Mar. 13, 2008**

**DESCRIPTION**

(51) **LOC (8) Cl.** ..... **13-03**

(52) **U.S. Cl.** ..... **D13/152**

(58) **Field of Classification Search** ..... D13/152;  
174/66-67; 439/135-142; 220/3.2, 3.3,  
220/3.9

See application file for complete search history.

FIG. 1 is a front perspective view of a retrofit face plate  
connector insert for network user drop box, showing my new  
design;

FIG. 2 is a left side elevation view thereof;

FIG. 3 is a right side elevation view thereof;

FIG. 4 is a top plan view thereof;

FIG. 5 is a bottom plan view thereof;

FIG. 6 is a front elevation view thereof; and,

FIG. 7 is a rear elevation view thereof.

(56) **References Cited**

U.S. PATENT DOCUMENTS

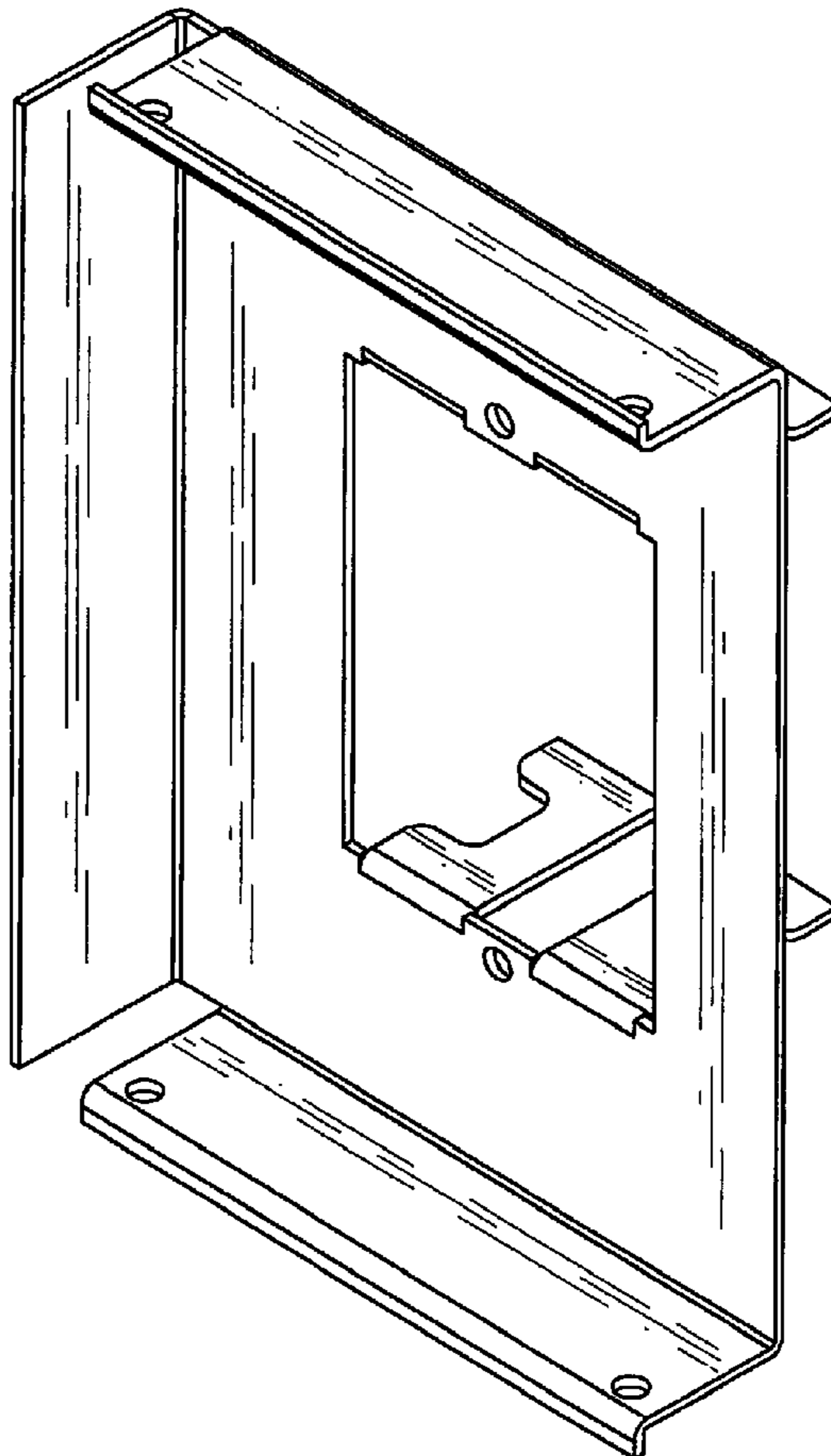
D286,768 S \* 11/1986 Borsh et al. .... D13/152

D459,312 S \* 6/2002 Roesch et al. .... D13/152

D462,664 S \* 9/2002 Roesch et al. .... D13/152

D556,694 S \* 12/2007 Sipe et al. .... D13/152

**1 Claim, 5 Drawing Sheets**



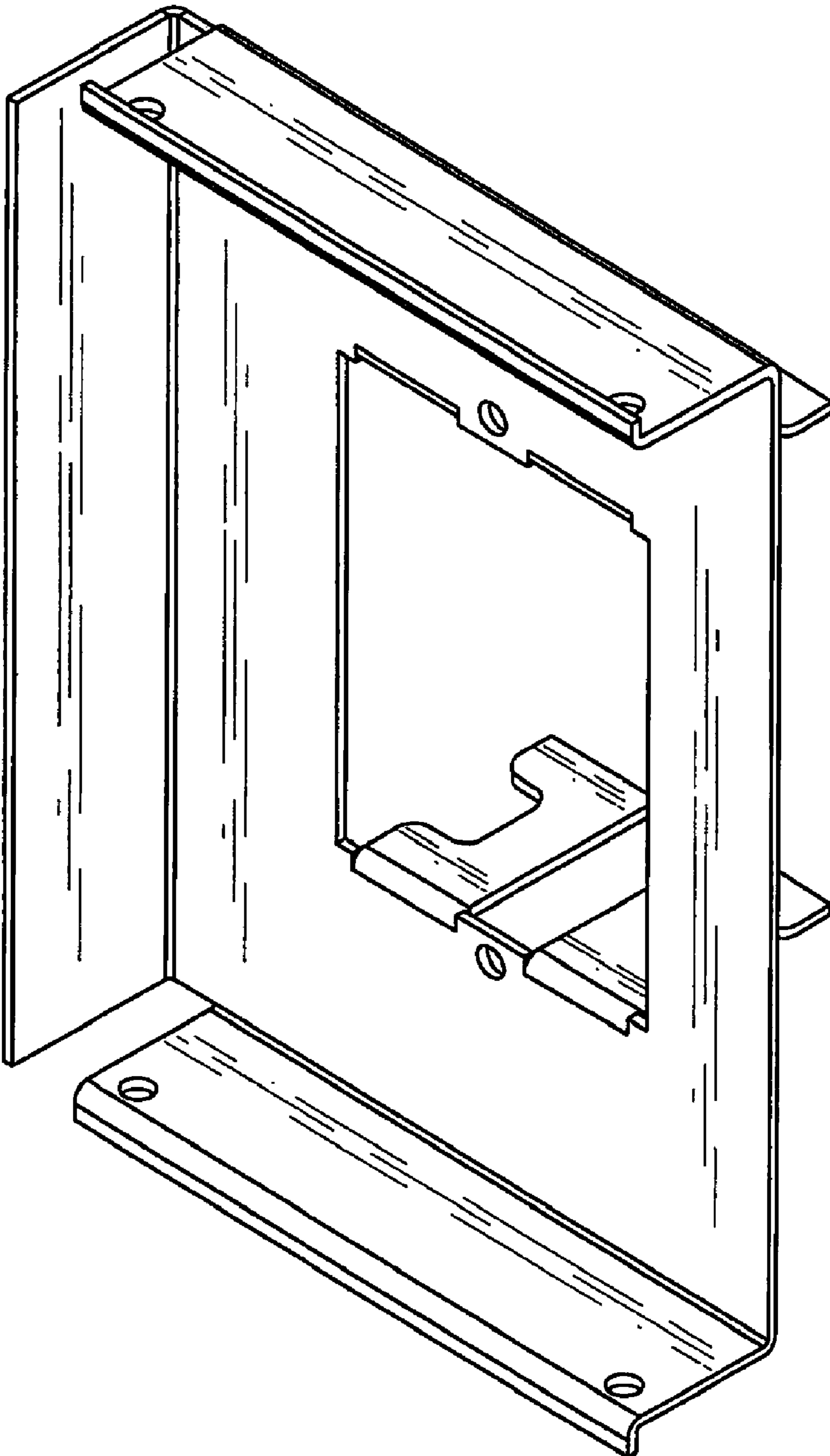
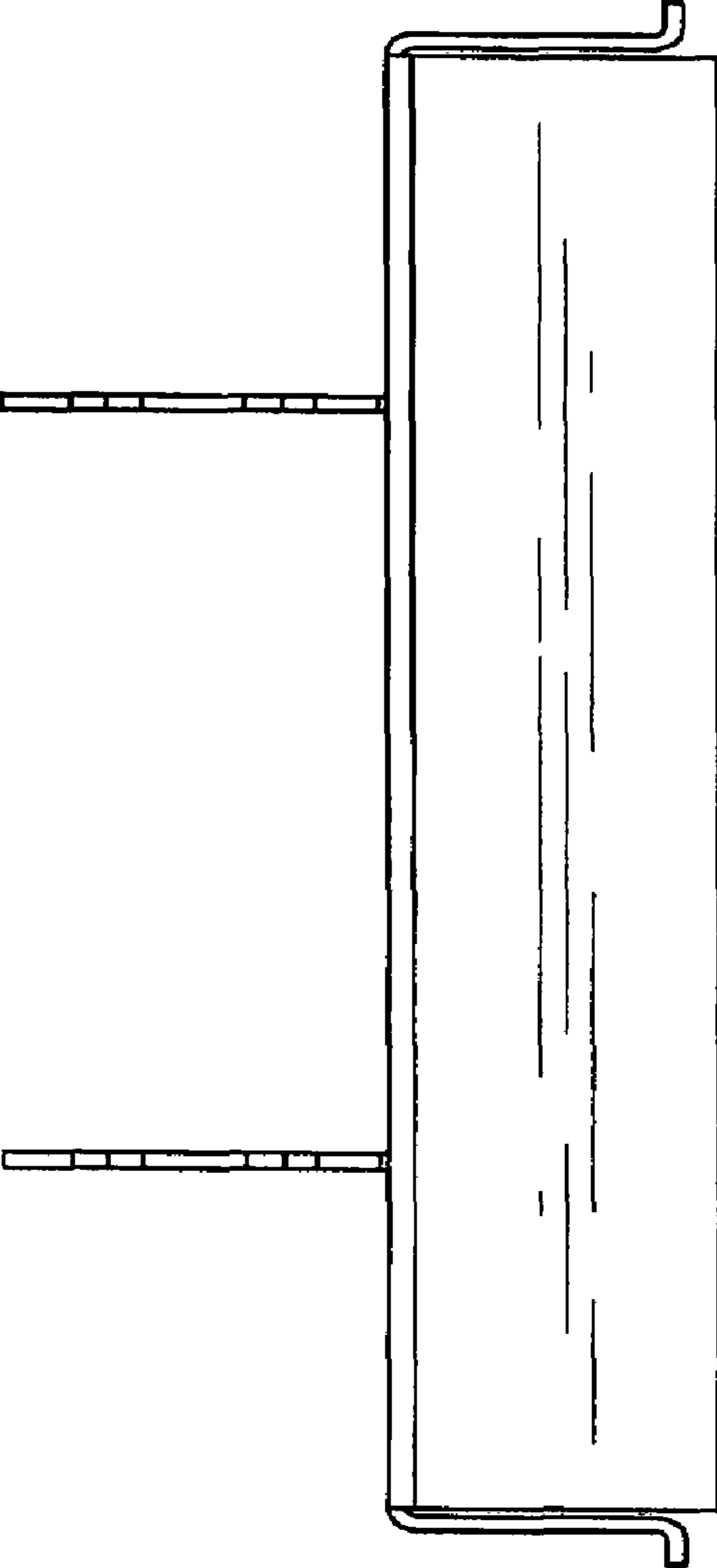
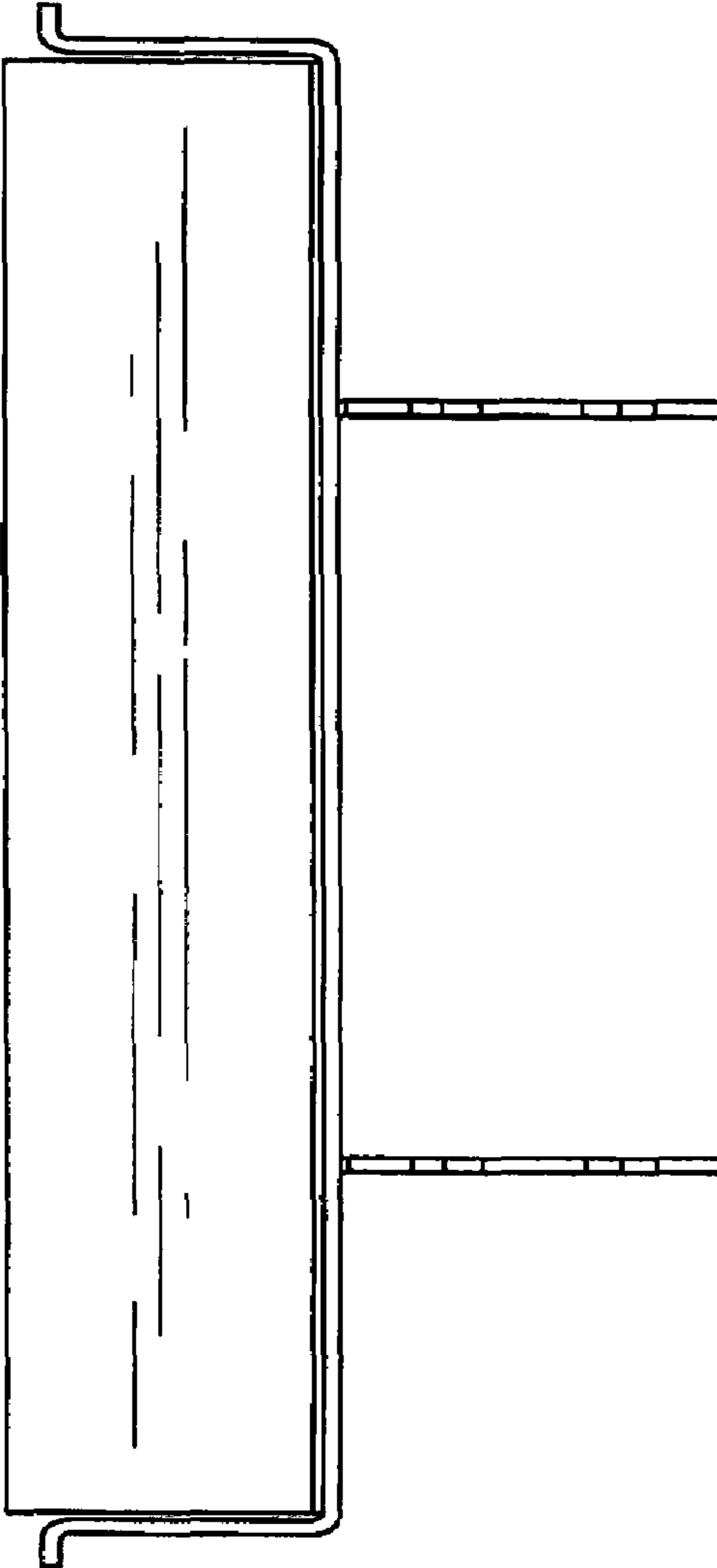


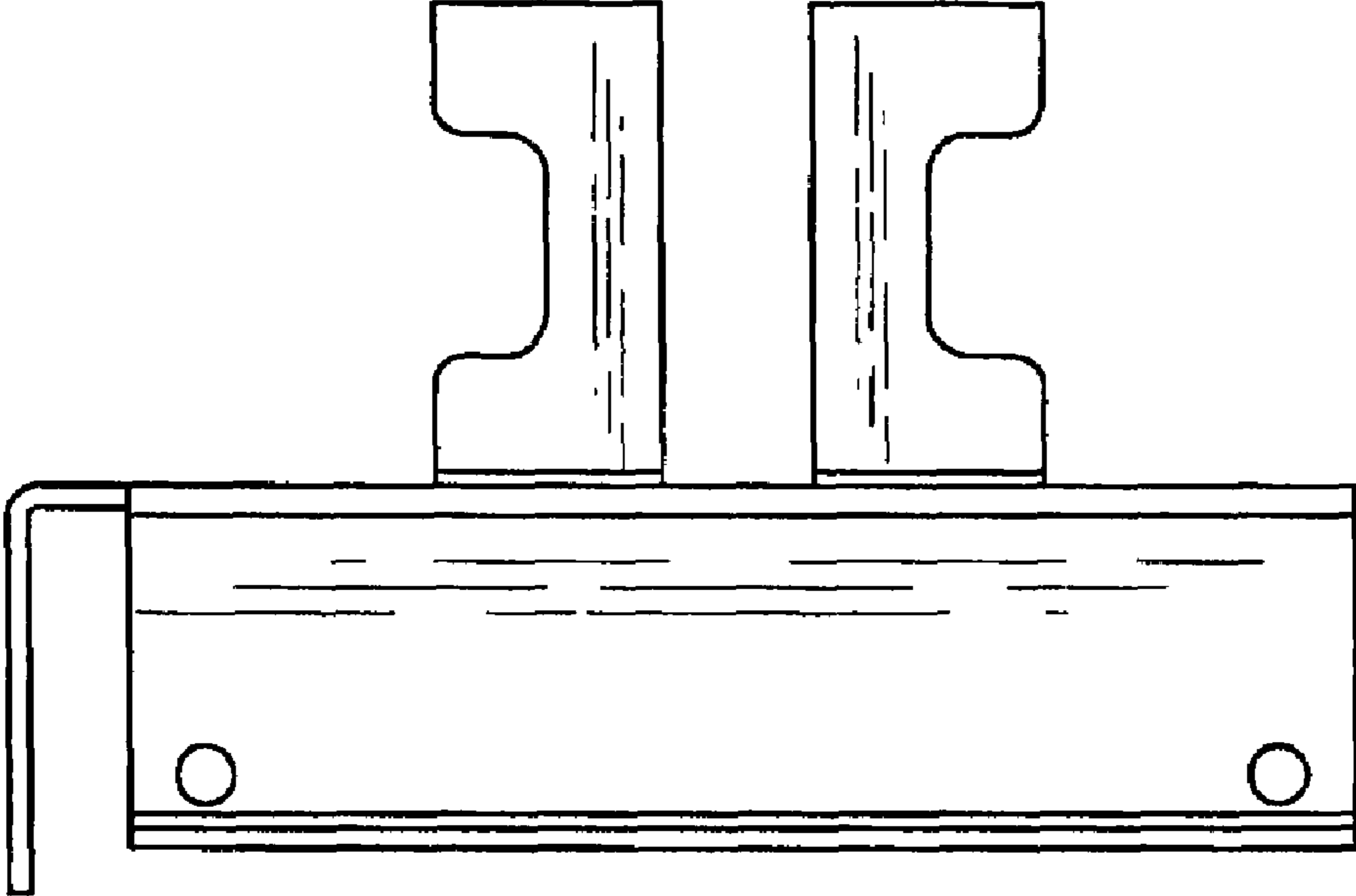
FIG. 1



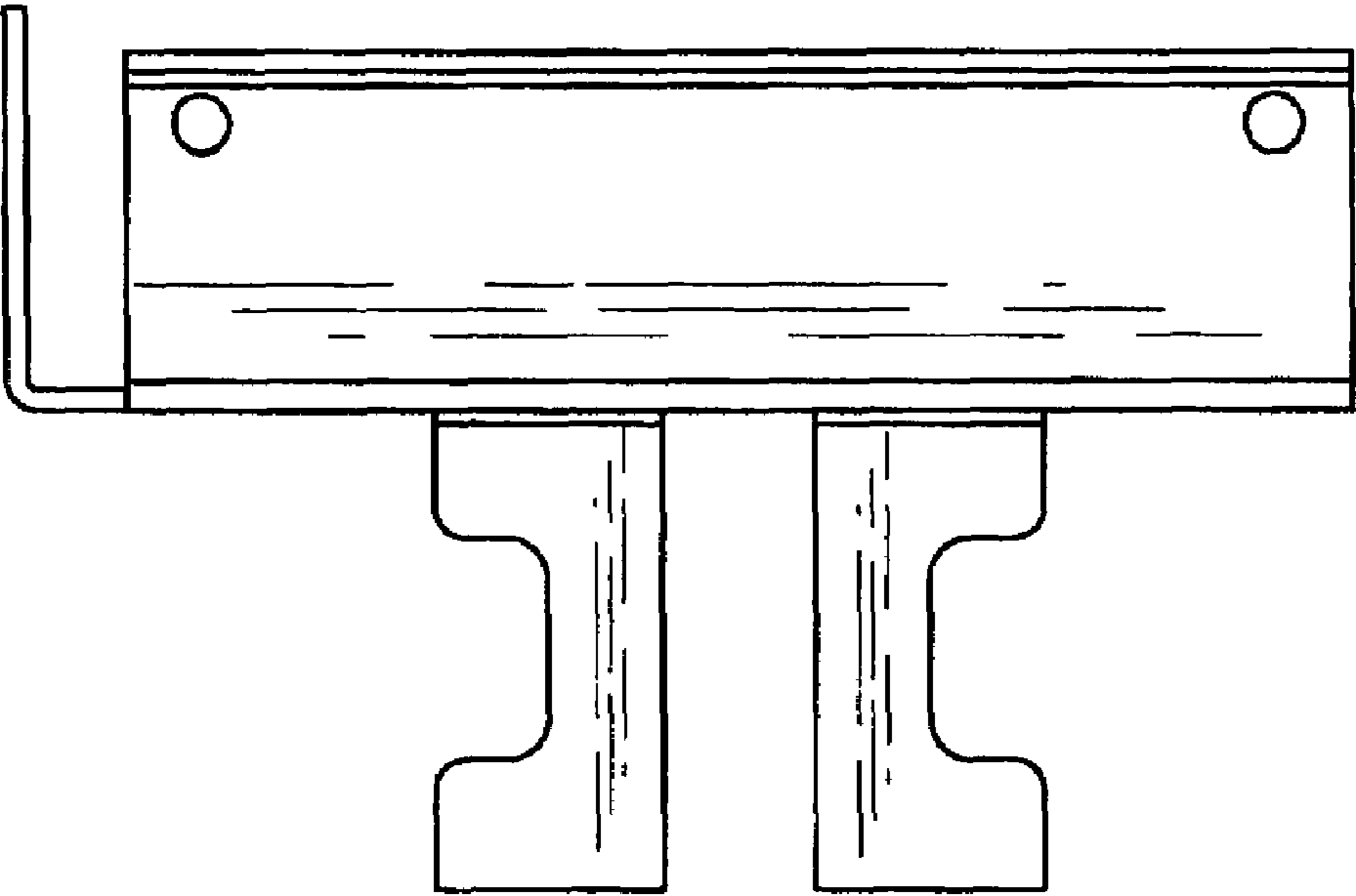
**FIG. 2**



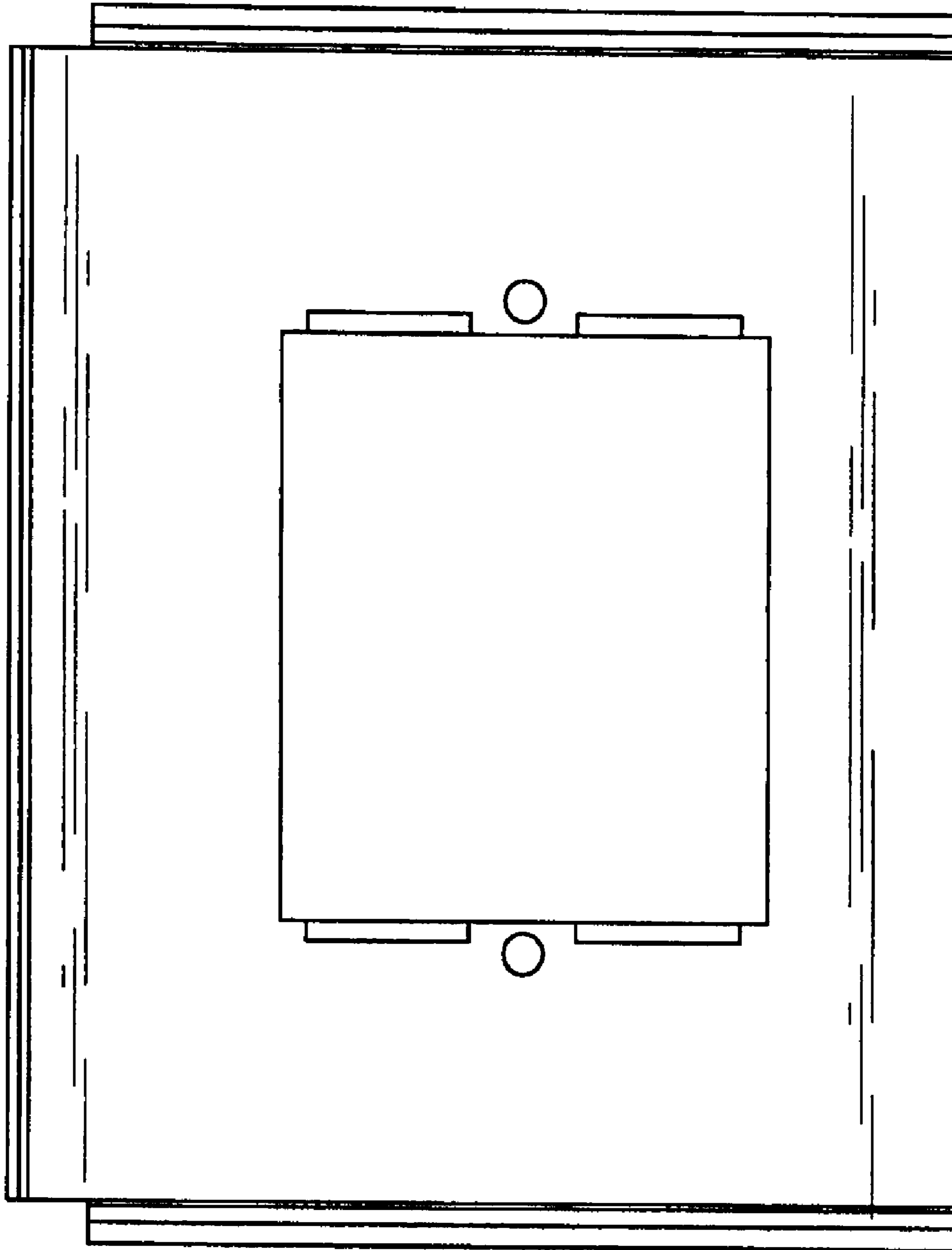
**FIG. 3**



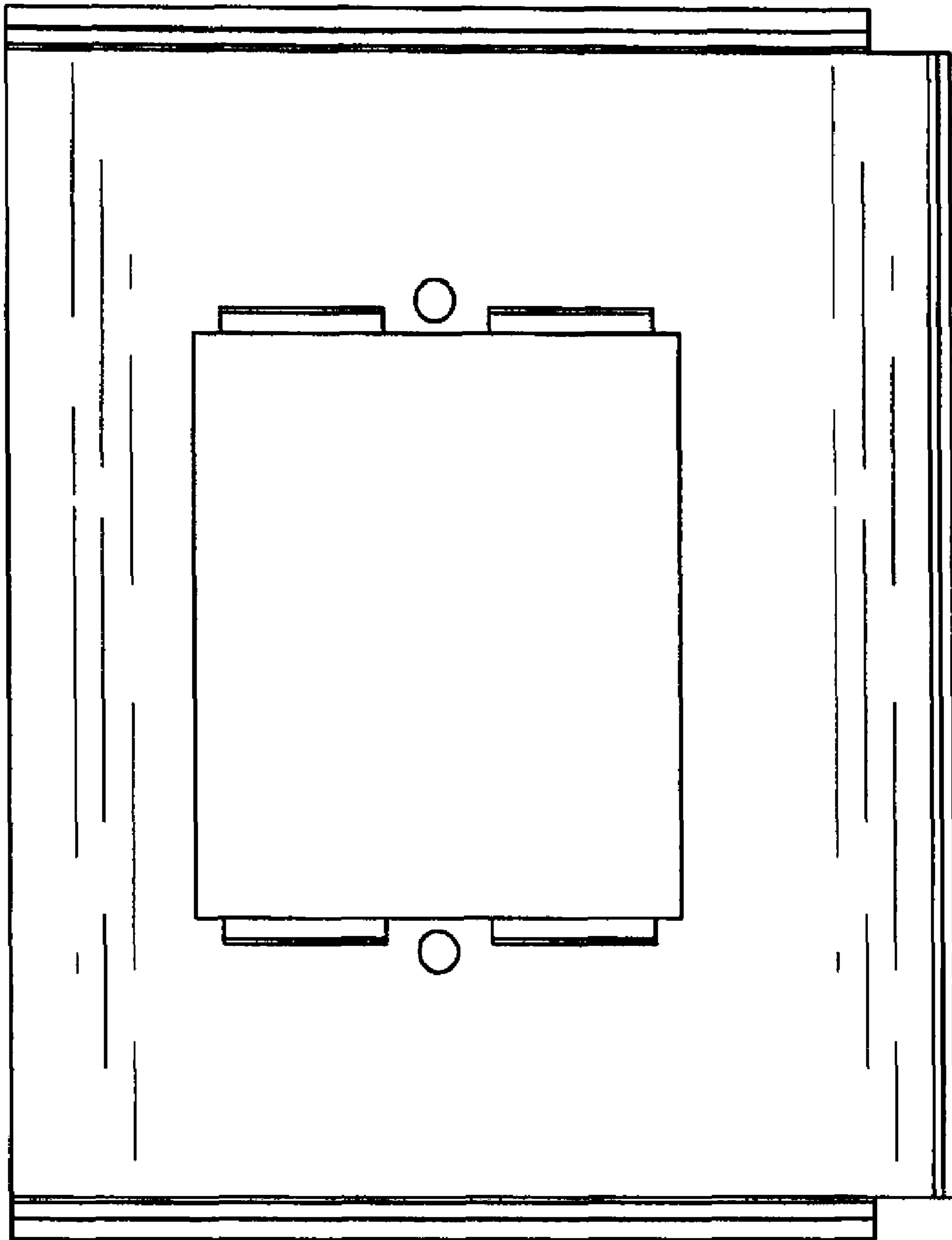
**FIG. 4**



**FIG. 5**



**FIG. 6**



**FIG. 7**