



US00D580869S

(12) **United States Design Patent**  
**Miyazaki**

(10) **Patent No.:** **US D580,869 S**

(45) **Date of Patent:** **\*\* Nov. 18, 2008**

(54) **ELECTRIC CONNECTOR FOR PRINTED  
CIRCUIT BOARD**

(75) Inventor: **Makoto Miyazaki**, Tokyo (JP)

(73) Assignee: **Honda Tsushin Kogyo Co., Ltd.**, Tokyo  
(JP)

(\*\*) Term: **14 Years**

(21) Appl. No.: **29/300,828**

(22) Filed: **May 20, 2008**

(30) **Foreign Application Priority Data**

Dec. 27, 2007 (JP) ..... 2007-035899

(51) **LOC (8) Cl.** ..... **13-03**

(52) **U.S. Cl.** ..... **D13/147**

(58) **Field of Classification Search** ..... D13/146-147,  
D13/154, 184; 439/62, 260, 329, 395, 607-610  
See application file for complete search history.

(56) **References Cited**

**U.S. PATENT DOCUMENTS**

D457,138 S \* 5/2002 Igarashi ..... D13/147  
D482,001 S \* 11/2003 Hisamatsu et al. .... D13/147  
D497,594 S \* 10/2004 Hisamatsu et al. .... D13/147  
D497,595 S \* 10/2004 Hisamatsu et al. .... D13/147  
D497,596 S \* 10/2004 Hisamatsu et al. .... D13/147

D529,445 S \* 10/2006 Ro ..... D13/147  
2004/0102067 A1 \* 5/2004 Motojima et al. .... 439/108  
2006/0264103 A1 \* 11/2006 Wei ..... 439/607  
2007/0066136 A1 \* 3/2007 Kim ..... 439/607

\* cited by examiner

*Primary Examiner*—Daniel D Bui

(74) *Attorney, Agent, or Firm*—Wenderoth, Lind & Ponack,  
L.L.P.

(57) **CLAIM**

The original design for an electric connector for printed circuit board, as shown and described.

**DESCRIPTION**

FIG. 1 is a top, front and right side perspective view of an electric connector for printed circuit board showing my new design;

FIG. 2 is a bottom, rear and left side perspective view thereof;

FIG. 3 is a front elevational view thereof;

FIG. 4 is a rear elevational view thereof;

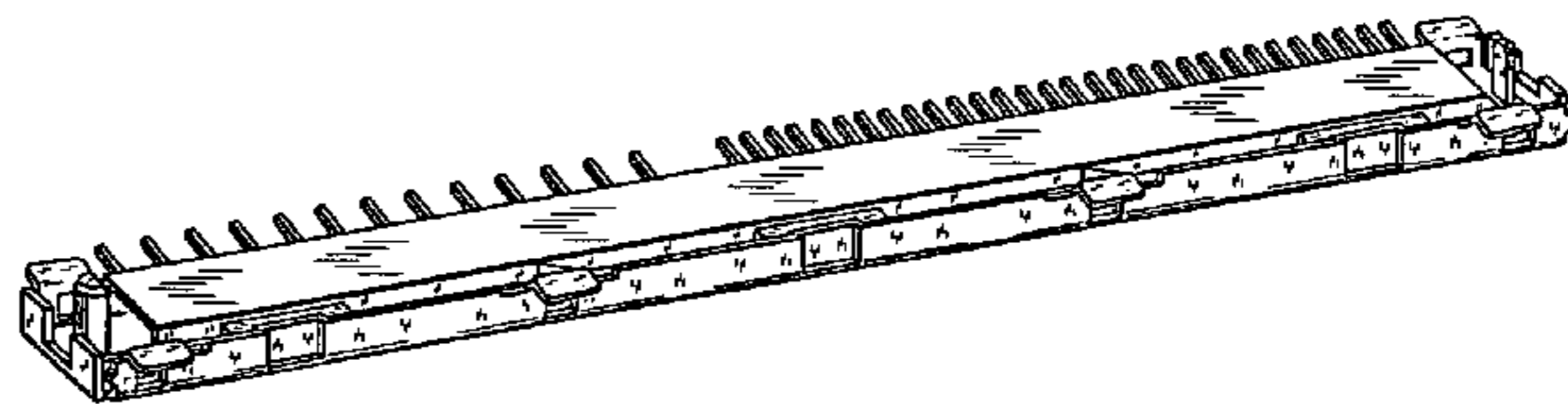
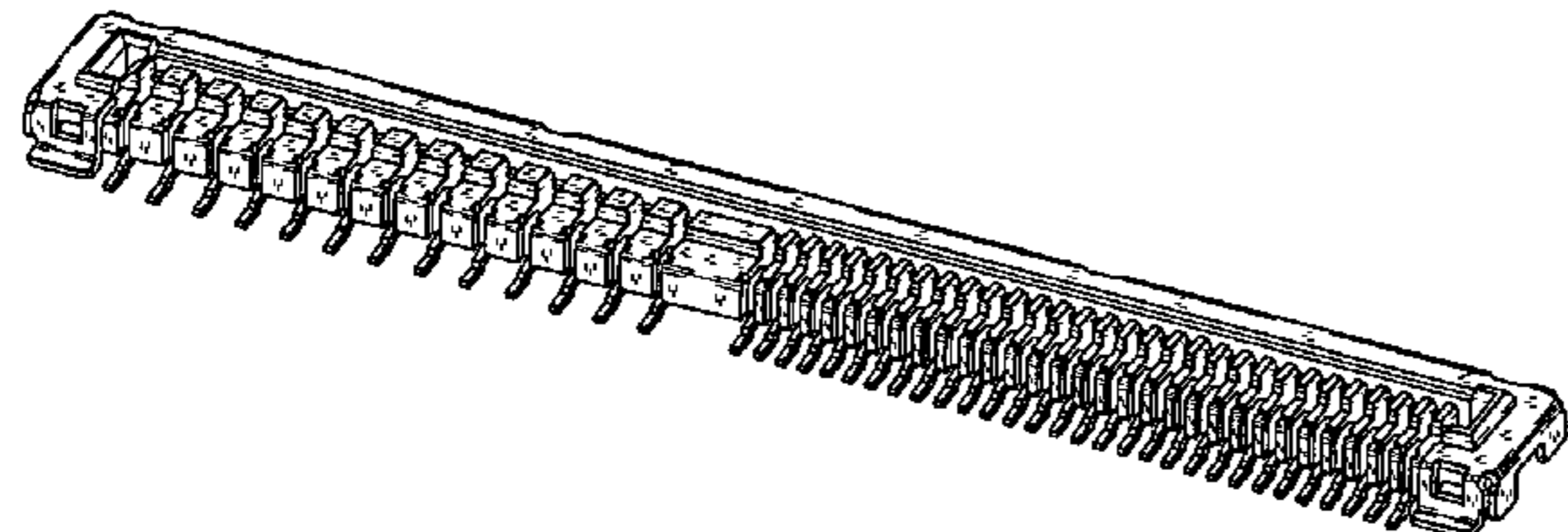
FIG. 5 is a top plan view thereof;

FIG. 6 is a bottom plan view thereof;

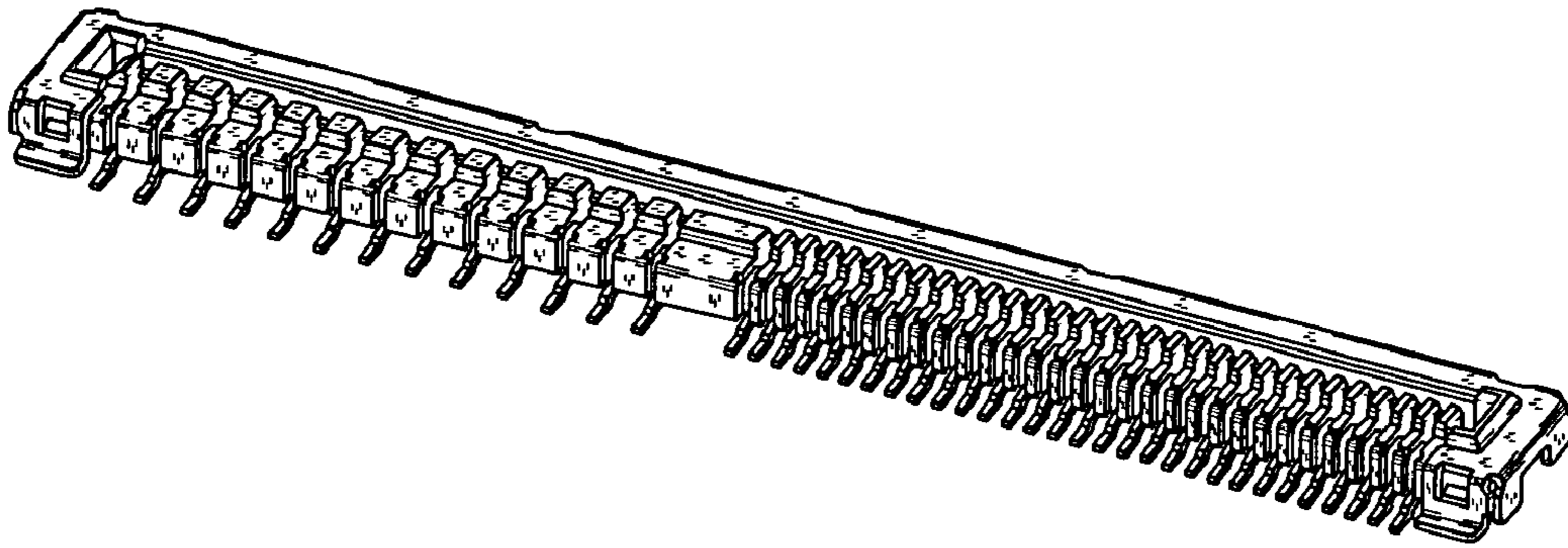
FIG. 7 is a right side elevational view thereof; and,

FIG. 8 is a left side elevational view thereof.

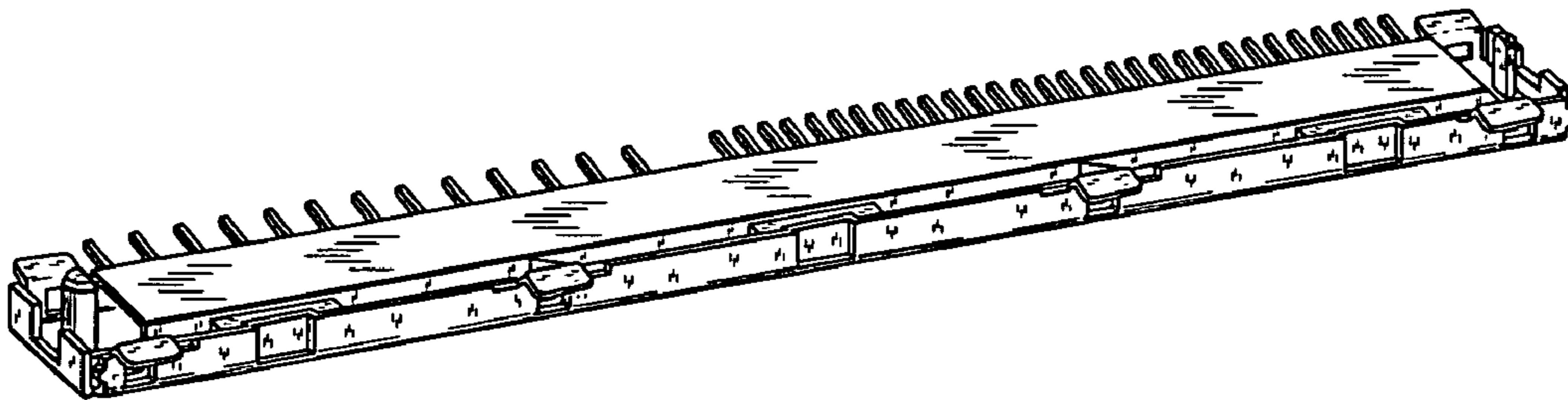
**1 Claim, 3 Drawing Sheets**



*Fig. 1*



*Fig. 2*



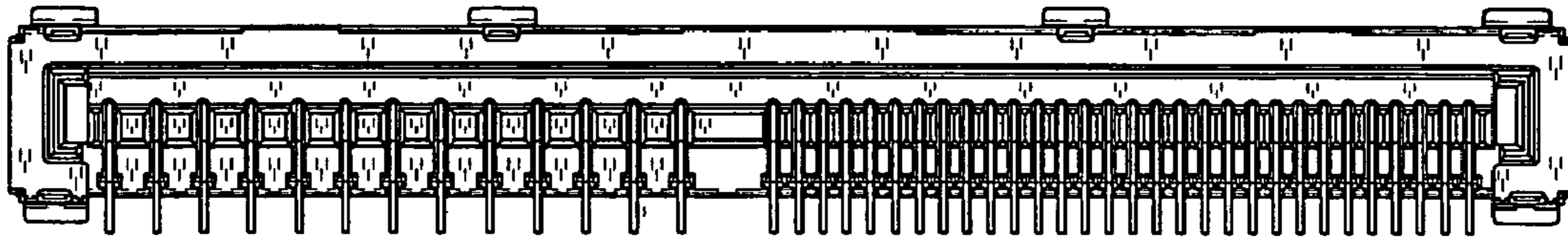
*Fig. 3*



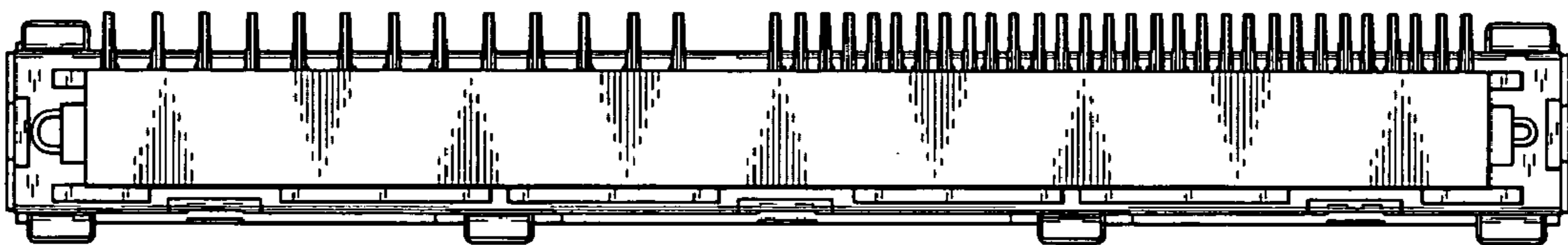
*Fig. 4*



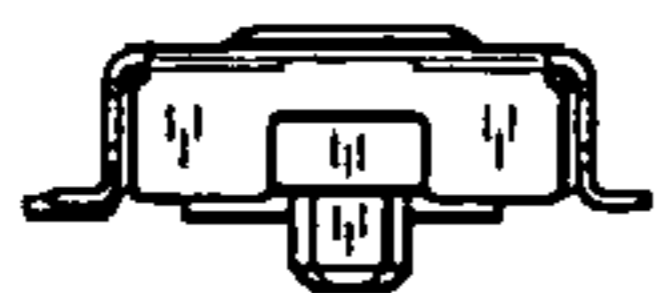
*Fig. 5*



*Fig. 6*



*Fig. 7*



*Fig. 8*

