



US00D580867S

(12) **United States Design Patent**
Duby et al.

(10) **Patent No.:** **US D580,867 S**
(45) **Date of Patent:** **** Nov. 18, 2008**

(54) **CIRCUIT BOARD AND CONNECTOR
MODULE**

(75) Inventors: **Thomas G. Duby**, Enfield, NH (US);
Robert L. Wells, Jr., Thetford Center,
VT (US); **Todd Severance**, Newbury,
NH (US); **Sam Darby**, North Andover,
MA (US); **Todd W. Boucher**, Lebanon,
NH (US)

(73) Assignee: **Dimatix, Inc.**, Lebanon, NH (US)

(**) Term: **14 Years**

(21) Appl. No.: **29/259,056**

(22) Filed: **May 1, 2006**

(51) **LOC (8) Cl.** **13-03**

(52) **U.S. Cl.** **D13/147**

(58) **Field of Classification Search** D13/146-147,
D13/154, 184; D14/432, 433, 436, 438;
439/49, 50, 52, 53, 59, 60, 61, 62, 64, 78,
439/82, 620.12, 620.16

See application file for complete search history.

(56) **References Cited**

U.S. PATENT DOCUMENTS

D275,279 S * 8/1984 Littlefield et al. D13/147
D327,071 S * 6/1992 Derbyshire D14/256

6,428,332 B1 * 8/2002 Nakamura et al. 439/79
D564,969 S * 3/2008 Chen D13/147
2006/0134949 A1 * 6/2006 Wang 439/79
2007/0281500 A1 * 12/2007 Wang 439/62

* cited by examiner

Primary Examiner—Daniel D Bui
(74) *Attorney, Agent, or Firm*—Fish & Richardson P.C.

(57) **CLAIM**

The ornamental design for a circuit board and connector module, as shown and described.

DESCRIPTION

FIG. 1 is a perspective view of a circuit board and connector module showing my new design;

FIG. 2 is a front elevational view thereof;

FIG. 3 is a rear elevational view thereof;

FIG. 4 is a left side elevational view thereof;

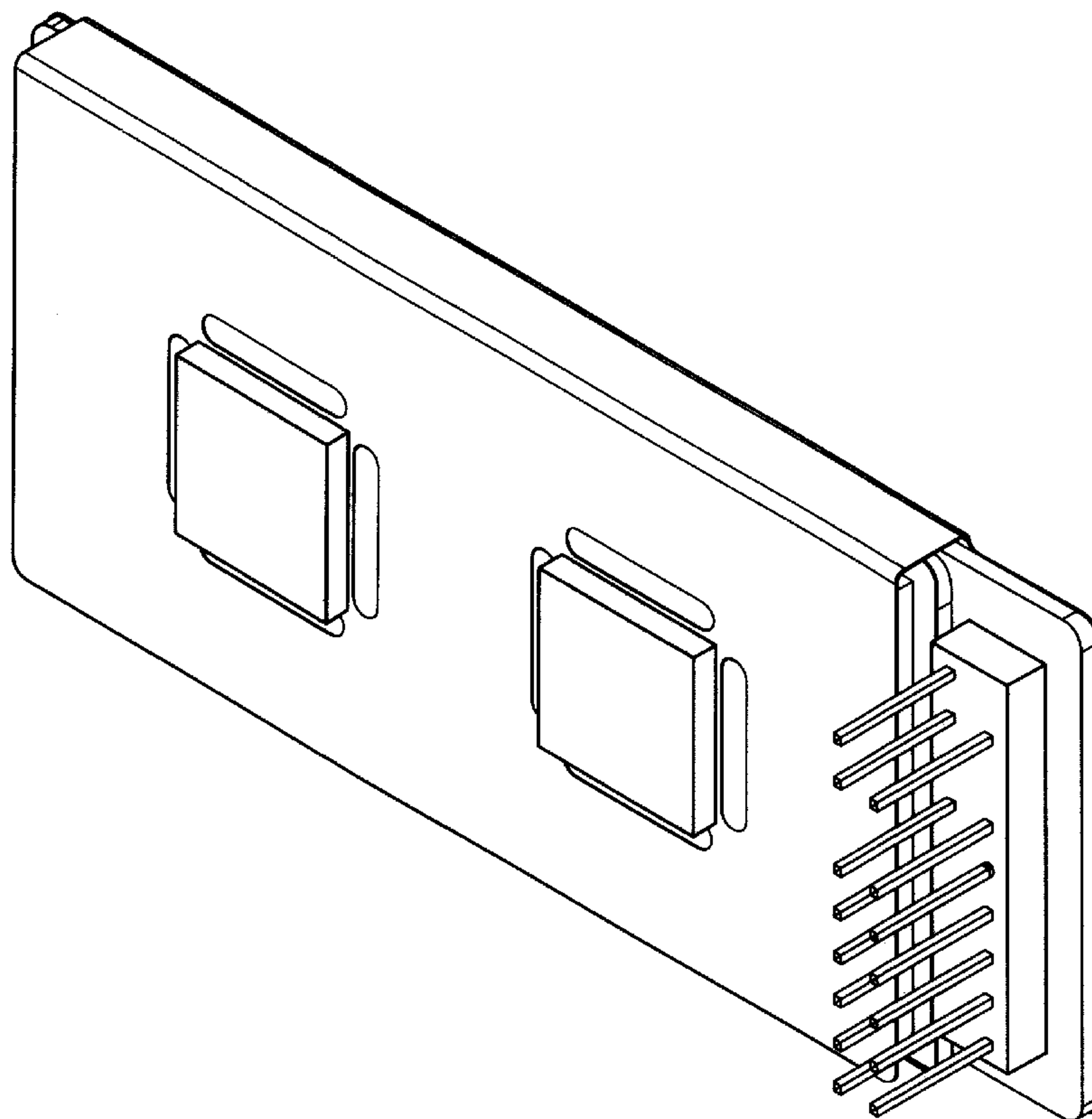
FIG. 5 is a right side elevational view thereof;

FIG. 6 is a top plan view thereof; and,

FIG. 7 is a bottom plan view thereof.

The broken line of the internal elements of the connector in FIG. 3 is included to show unclaimed subject matter only and forms no part of the claimed design.

1 Claim, 4 Drawing Sheets



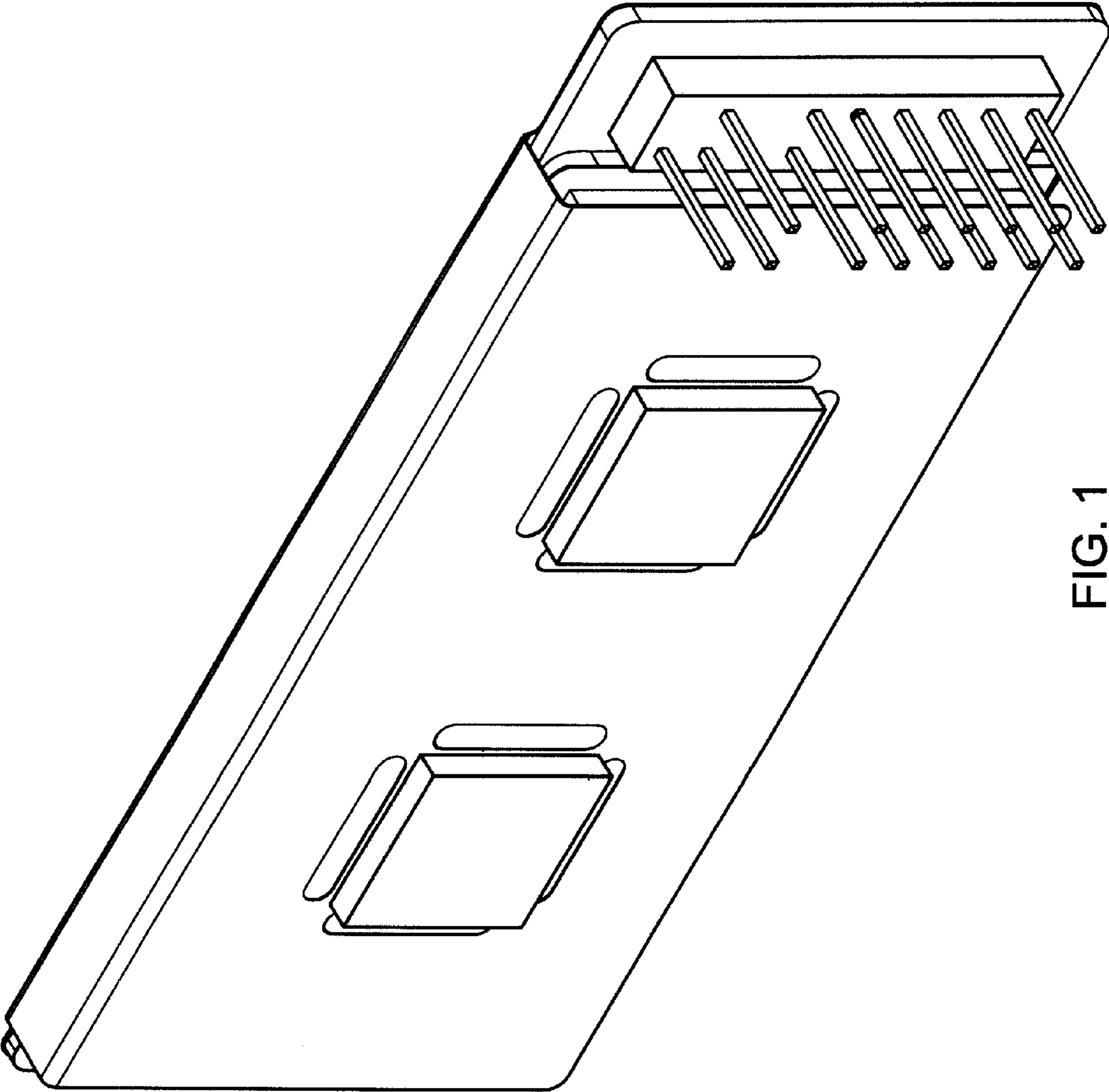


FIG. 1

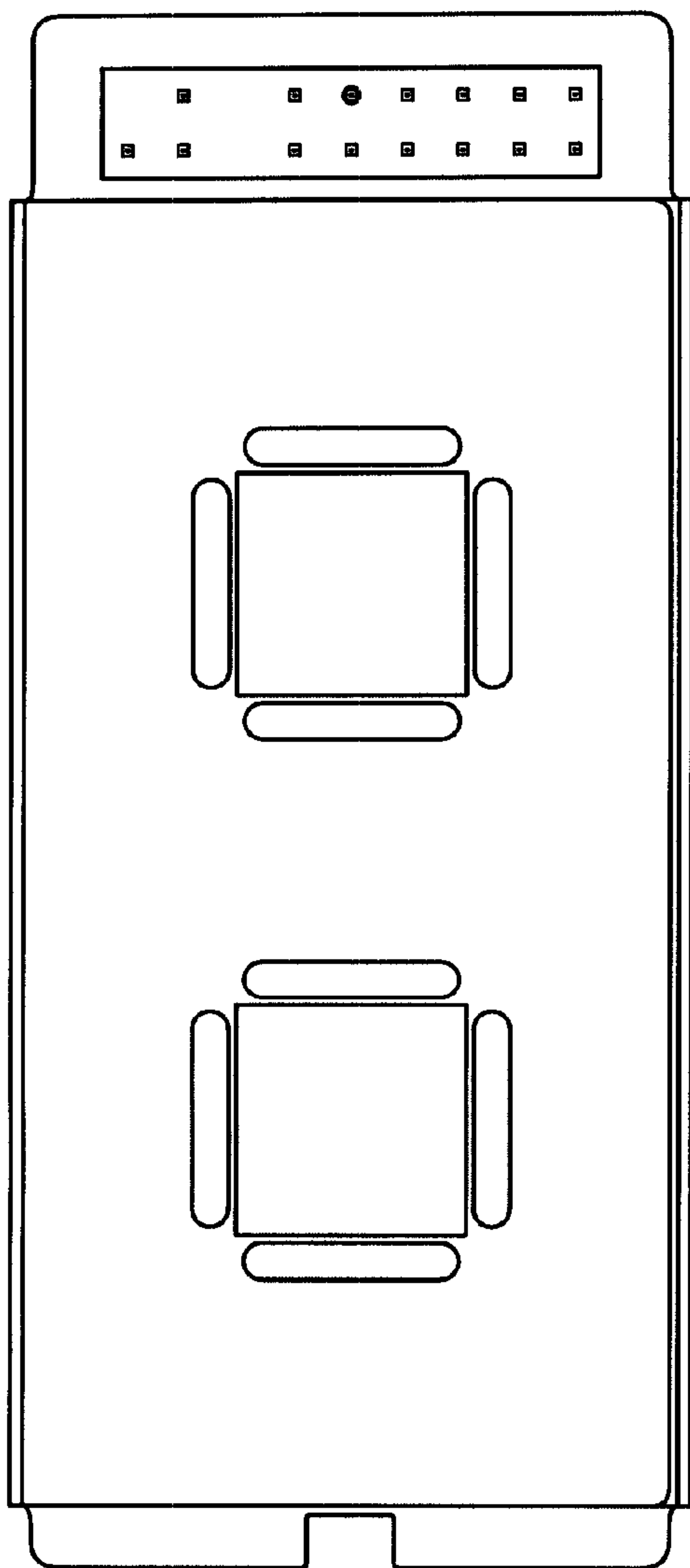


FIG. 2

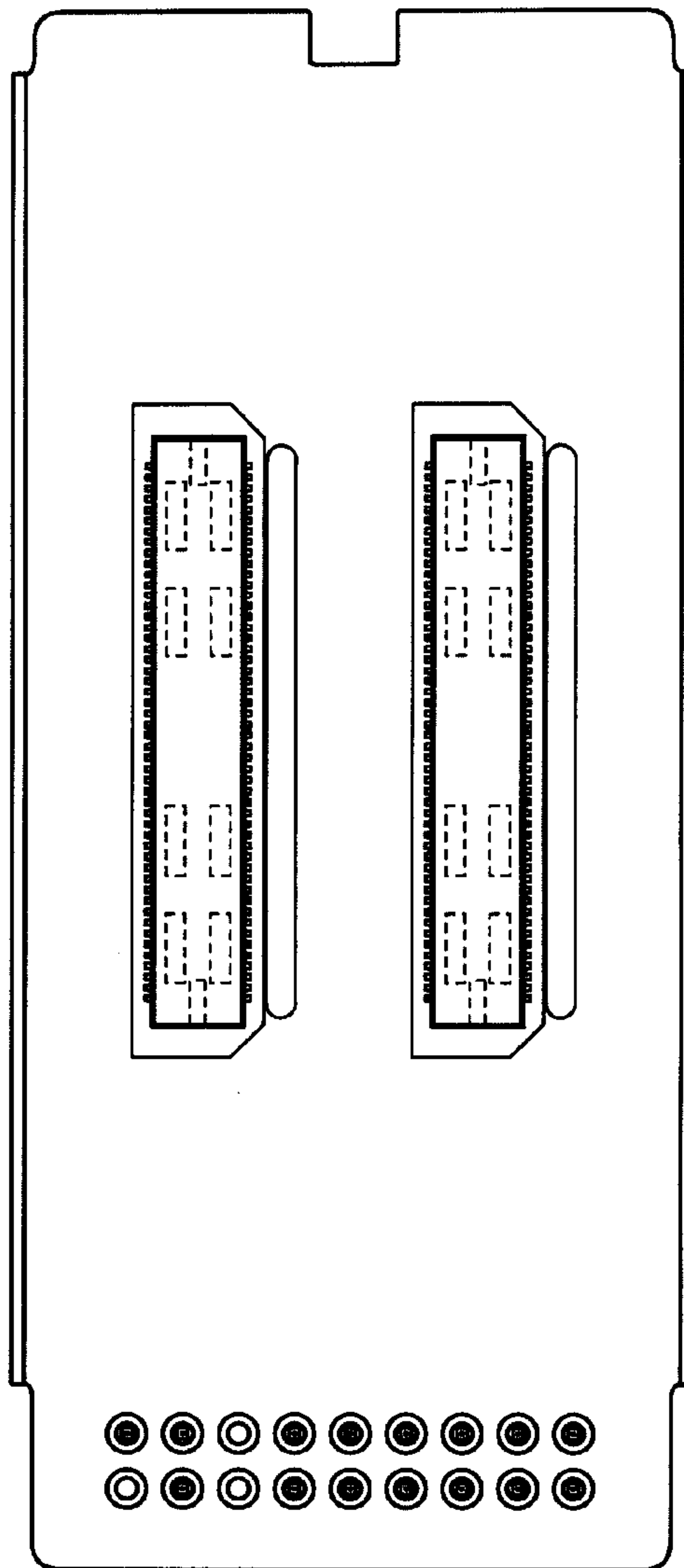


FIG. 3

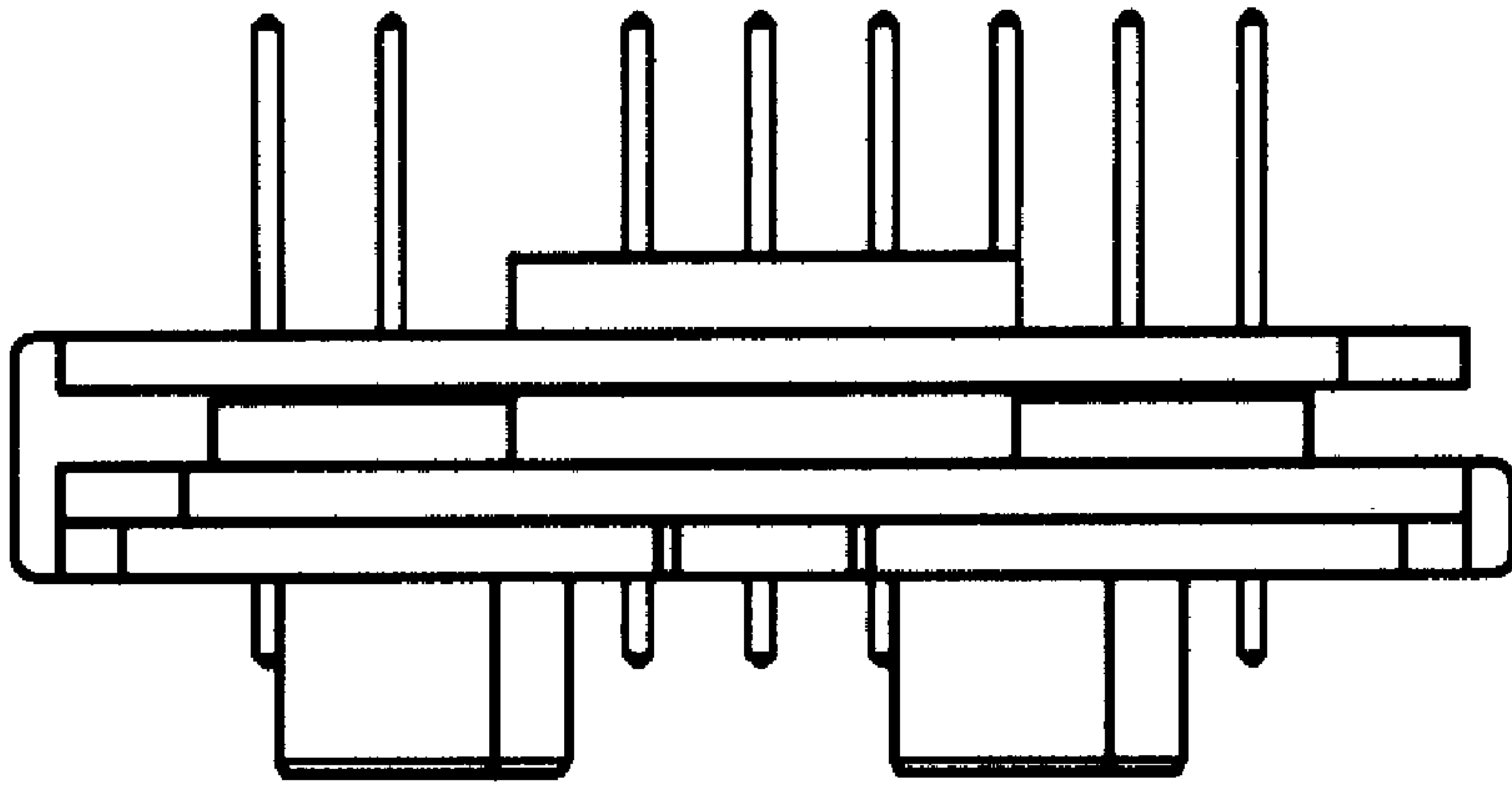


FIG. 5

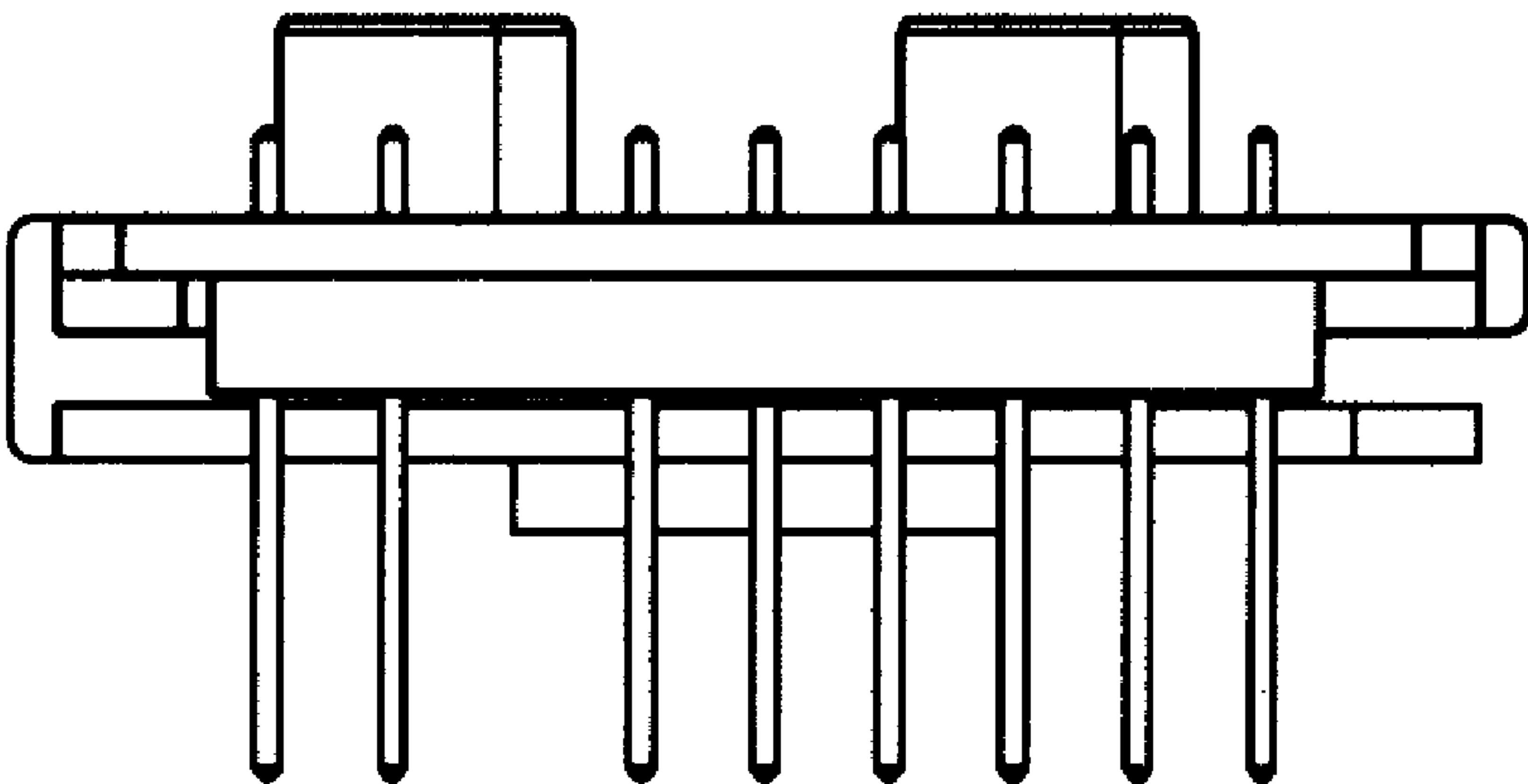


FIG. 4

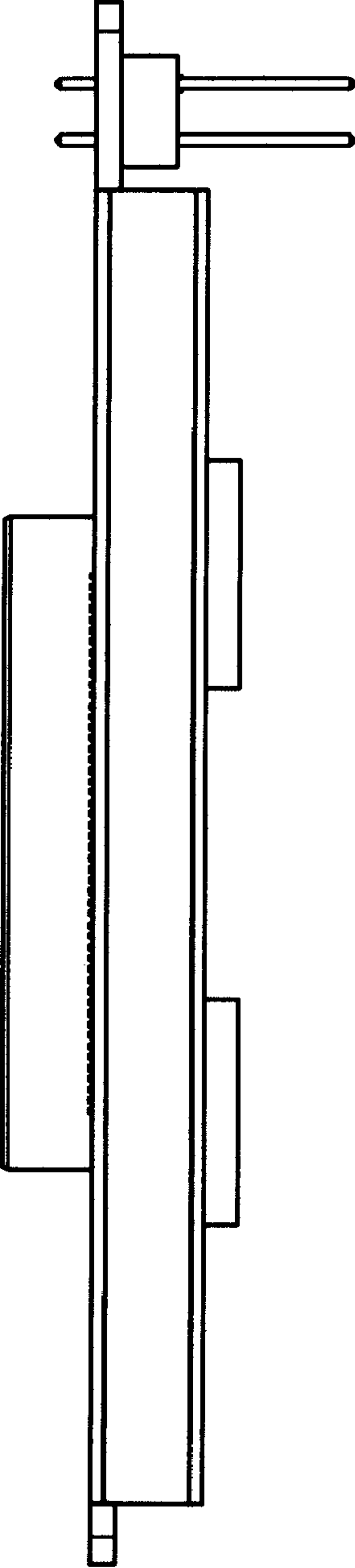


FIG. 6

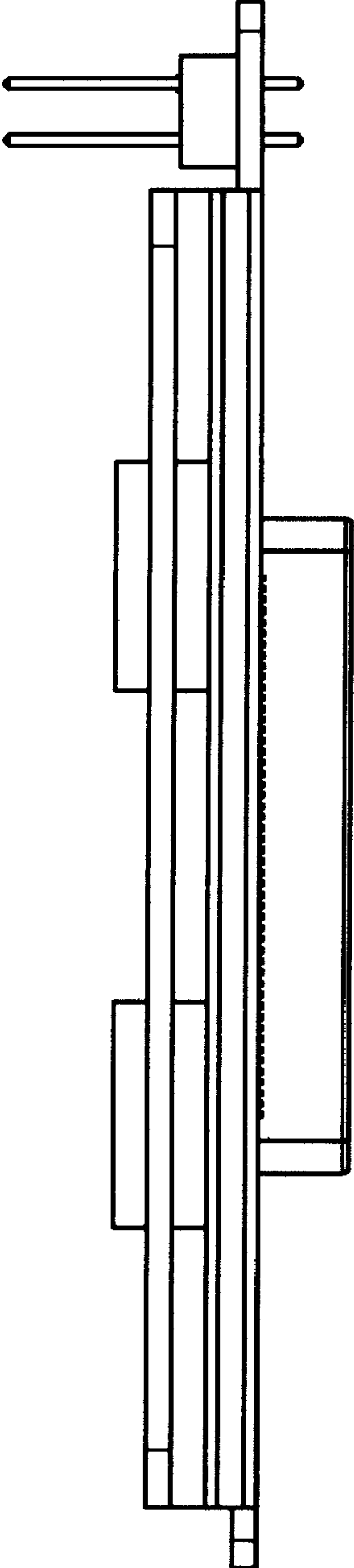


FIG. 7