



US00D580864S

(12) **United States Design Patent**  
**Richmond**

(10) **Patent No.:** **US D580,864 S**

(45) **Date of Patent:** **\*\* Nov. 18, 2008**

(54) **CABLING CONNECTOR**

D576,105 S \* 9/2008 Victor ..... D13/154

(76) Inventor: **Simon Nicholas Richmond**, 47  
Grasmere Way, Princeton, NJ (US)  
08540

\* cited by examiner

*Primary Examiner*—Daniel D Bui  
*Assistant Examiner*—Thomas J Johannes

(\*\*) Term: **14 Years**

(21) Appl. No.: **29/301,640**

(57) **CLAIM**

(22) Filed: **Mar. 11, 2008**

The ornamental design for a cabling connector, as shown and described.

(51) **LOC (8) Cl.** ..... **13-03**

**DESCRIPTION**

(52) **U.S. Cl.** ..... **D13/133; D13/153**

(58) **Field of Classification Search** ..... D13/133,  
D13/146, 147, 153, 154, 184, 199; 439/350,  
439/447, 607–610, 660, 677, 680–682; D14/433  
See application file for complete search history.

The claimed cabling connector is used to connect electrical elements of a heated garment.

FIG. 1 is a perspective view of a cabling connector showing my new design;

(56) **References Cited**

**U.S. PATENT DOCUMENTS**

5,547,399	A *	8/1996	Naghi et al. ....	439/623
D407,369	S *	3/1999	Cormack .....	D13/133
D449,275	S *	10/2001	Goto .....	D13/147
D449,579	S *	10/2001	Goto .....	D13/133
D450,039	S *	11/2001	Goto .....	D13/147
D509,477	S *	9/2005	Terao .....	D13/153
D515,511	S *	2/2006	Nishio et al. ....	D13/147
D568,822	S *	5/2008	Kuo .....	D13/154
D575,227	S *	8/2008	So .....	D13/110

FIG. 2 is a first side view thereof;

FIG. 3 is a second side view thereof;

FIG. 4 is a top view thereof;

FIG. 5 is a bottom view thereof;

FIG. 6 is a third side view thereof; and,

FIG. 7 is a fourth side view thereof.

The broken lines are for illustrative purposes only and form no part of the claimed design.

**1 Claim, 3 Drawing Sheets**

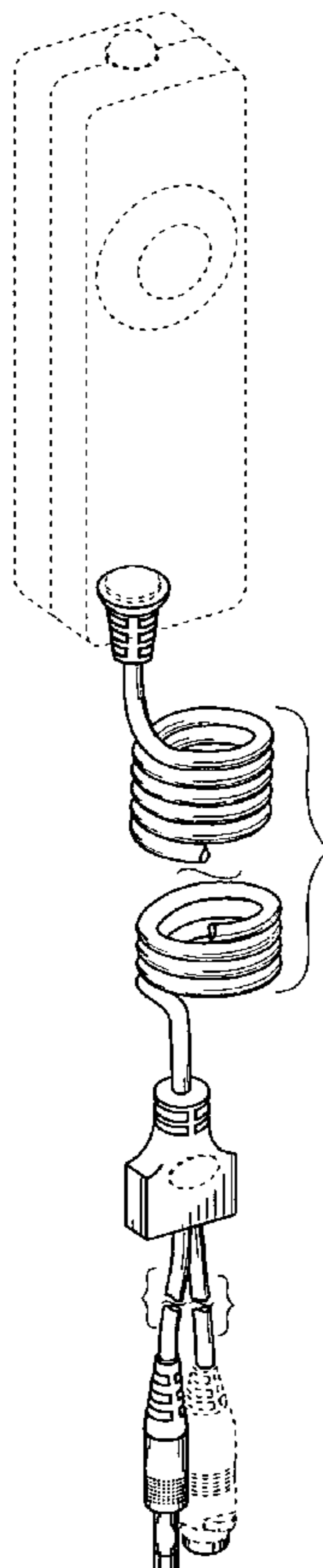


Fig. 1

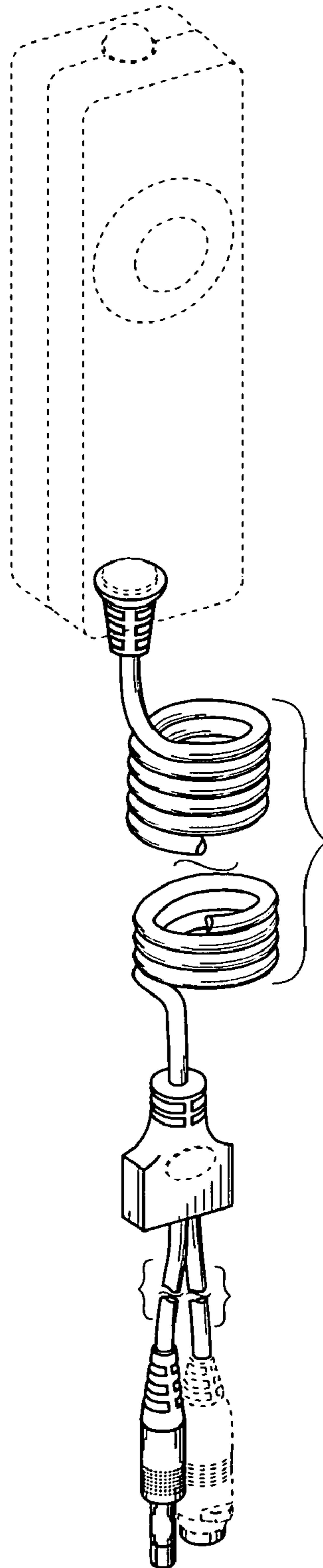


Fig. 2

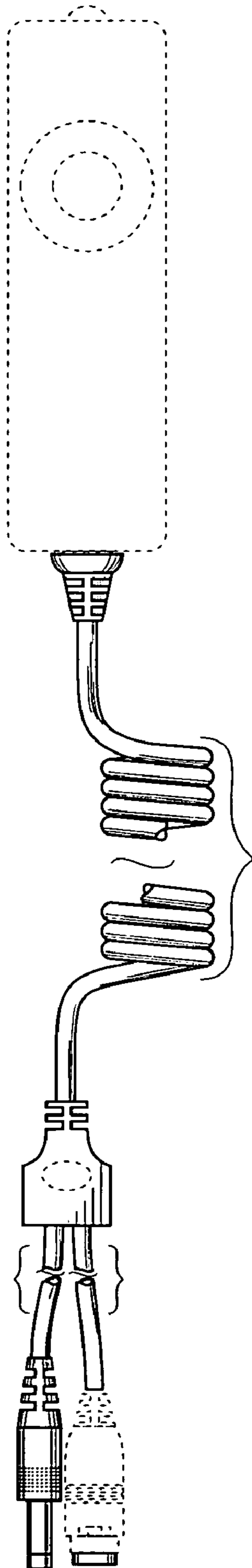


Fig. 3

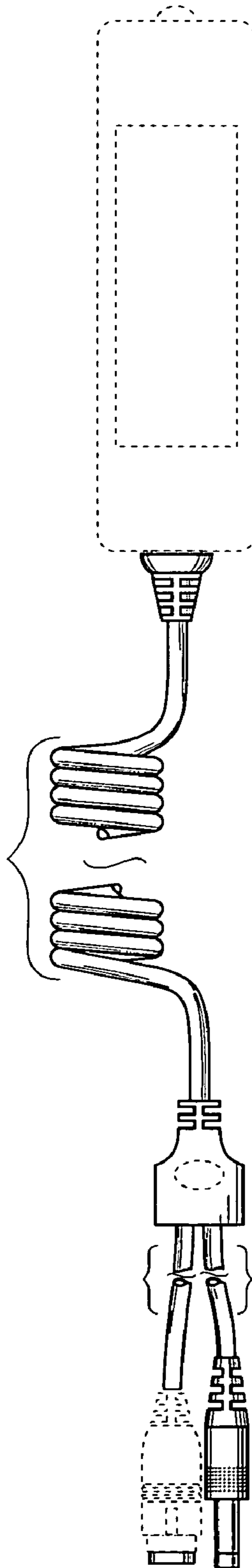


Fig. 4

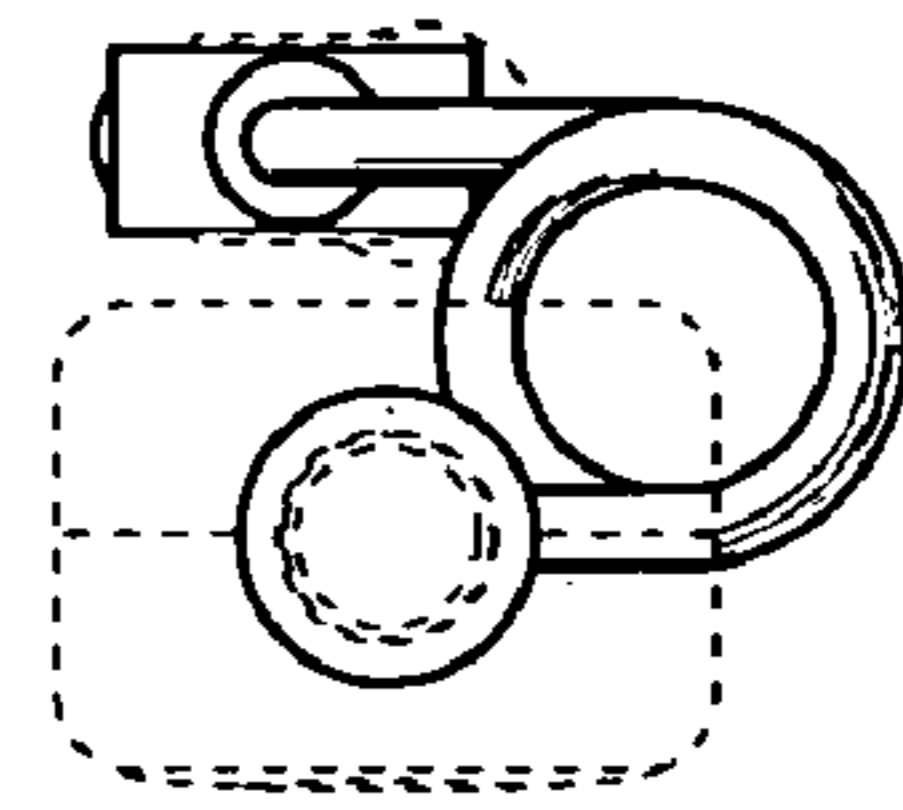


Fig. 5

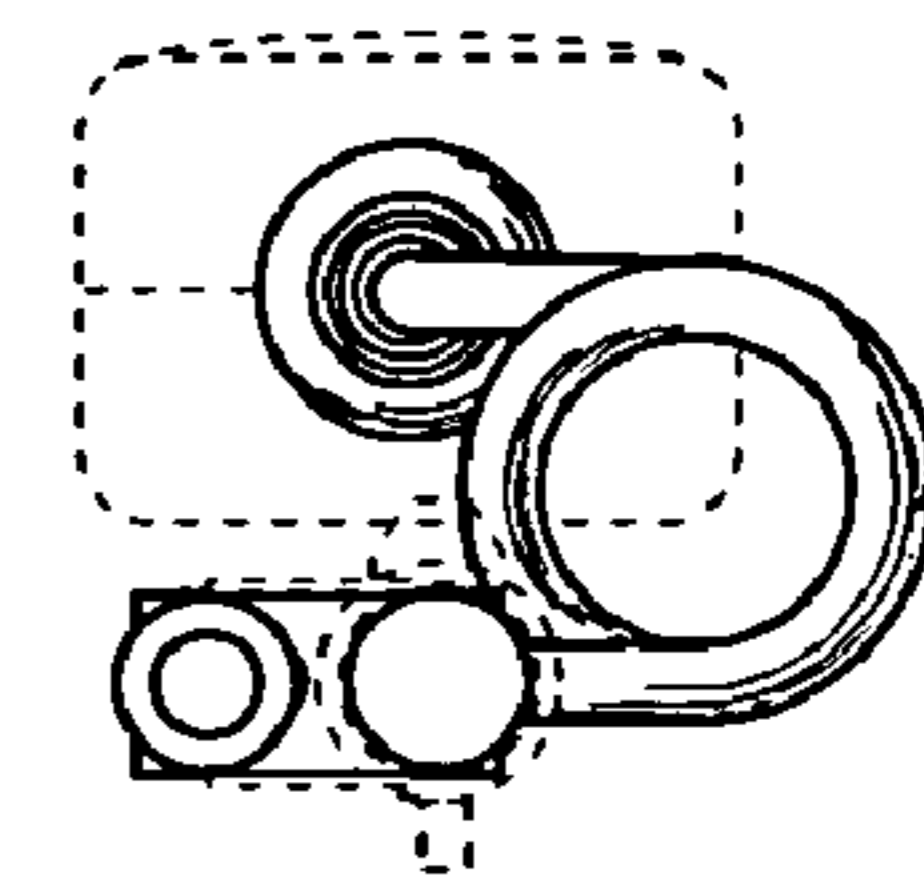


Fig. 6

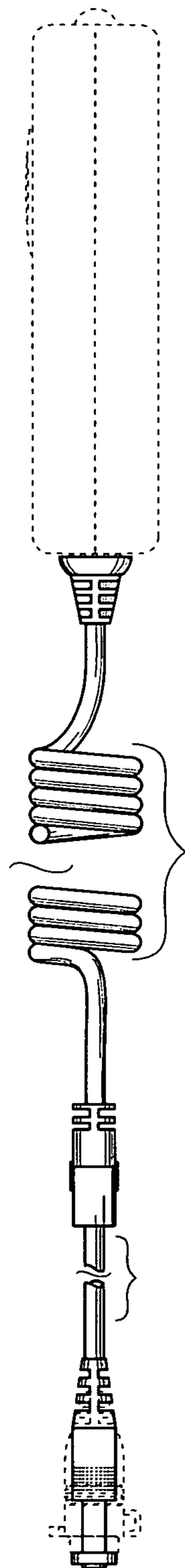


Fig. 7

