



US00D580863S

(12) **United States Design Patent**
Amidon

(10) **Patent No.:** **US D580,863 S**

(45) **Date of Patent:** **** Nov. 18, 2008**

(54) **S-VIDEO CABLE CONNECTOR**

(75) Inventor: **Jeremy Amidon**, Marcellus, NY (US)

(73) Assignee: **John Mezzalingua Assoc., Inc.**, East Syracuse, NY (US)

(**) Term: **14 Years**

(21) Appl. No.: **29/278,904**

(22) Filed: **Apr. 13, 2007**

(51) **LOC (8) Cl.** **13-03**

(52) **U.S. Cl.** **D13/133**

(58) **Field of Classification Search** D13/123,
D13/133, 146, 147, 149, 153, 154, 184, 199;
439/489, 491, 502, 505, 578, 583, 584, 585,
439/625, 668, 669, 675, 751, 825; 174/72 R
See application file for complete search history.

(56) **References Cited**

U.S. PATENT DOCUMENTS

5,102,344 A * 4/1992 Tadokoro et al. 439/98
D360,400 S * 7/1995 Pitcher D13/133
D424,020 S * 5/2000 Fischer D13/146
6,169,879 B1 1/2001 Perlman

D449,579 S * 10/2001 Goto D13/133
6,525,782 B2 * 2/2003 Cheng 348/663
6,902,427 B2 6/2005 Kuo
6,907,615 B1 6/2005 Alexander et al.
6,958,766 B2 10/2005 Cooper
D531,576 S * 11/2006 Bernardini D13/146
2005/0161246 A1 * 7/2005 Khemakhem et al. 174/75 C

* cited by examiner

Primary Examiner—Daniel D Bui

Assistant Examiner—Thomas J Johannes

(74) *Attorney, Agent, or Firm*—Melissa Bitting

(57) **CLAIM**

I claim the ornamental design for an S-video cable connector, as shown and described.

DESCRIPTION

FIG. 1 is a perspective view of an S-video cable connector showing my new design;

FIG. 2 is a side elevation view thereof, with the opposite side elevation view being a mirror image thereto;

FIG. 3 is a top plan view thereof, in an enlarged scale; and,

FIG. 4 is a bottom plan view thereof, in an enlarged scale.

1 Claim, 4 Drawing Sheets

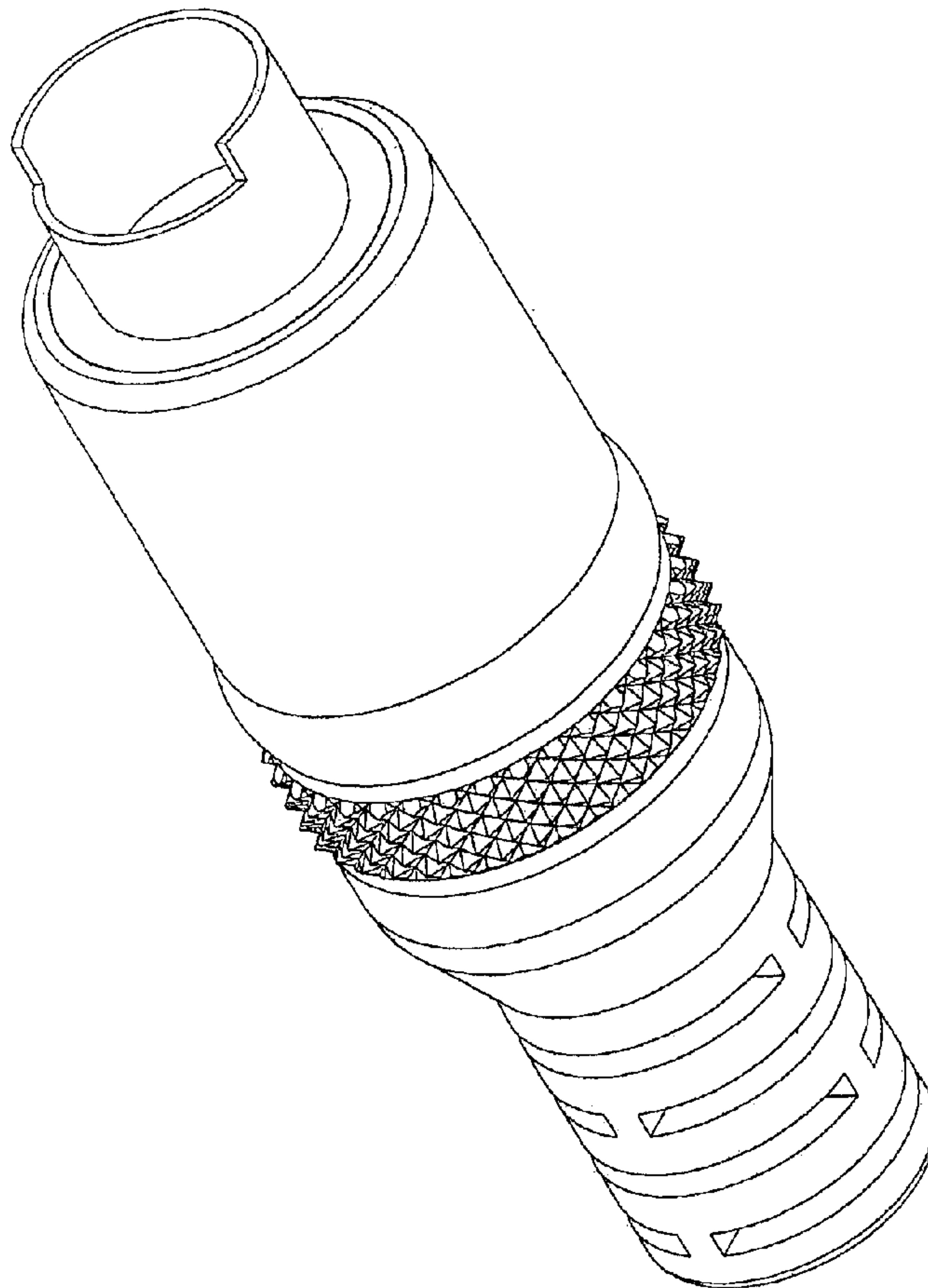


FIG. 1

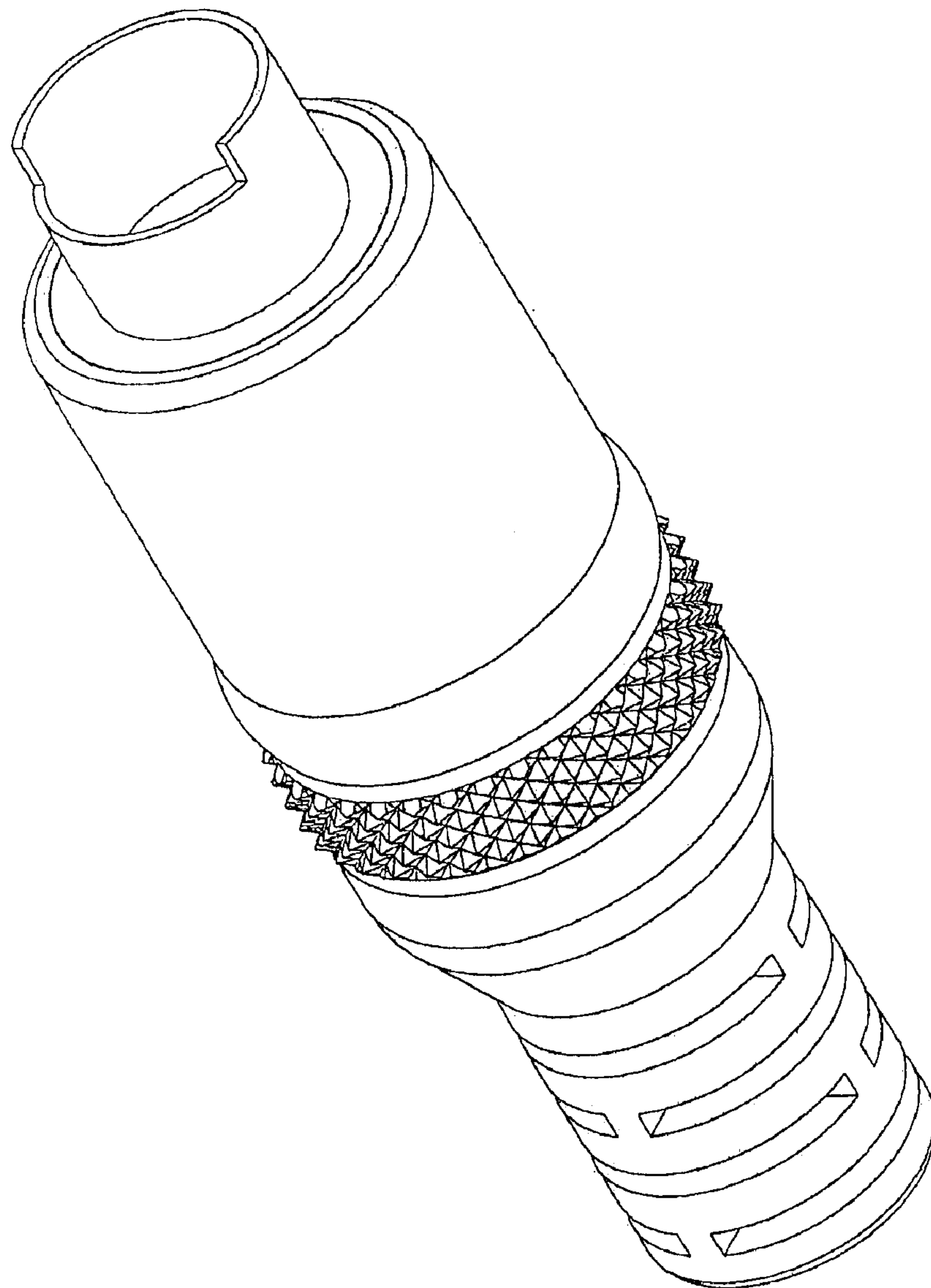


FIG. 2

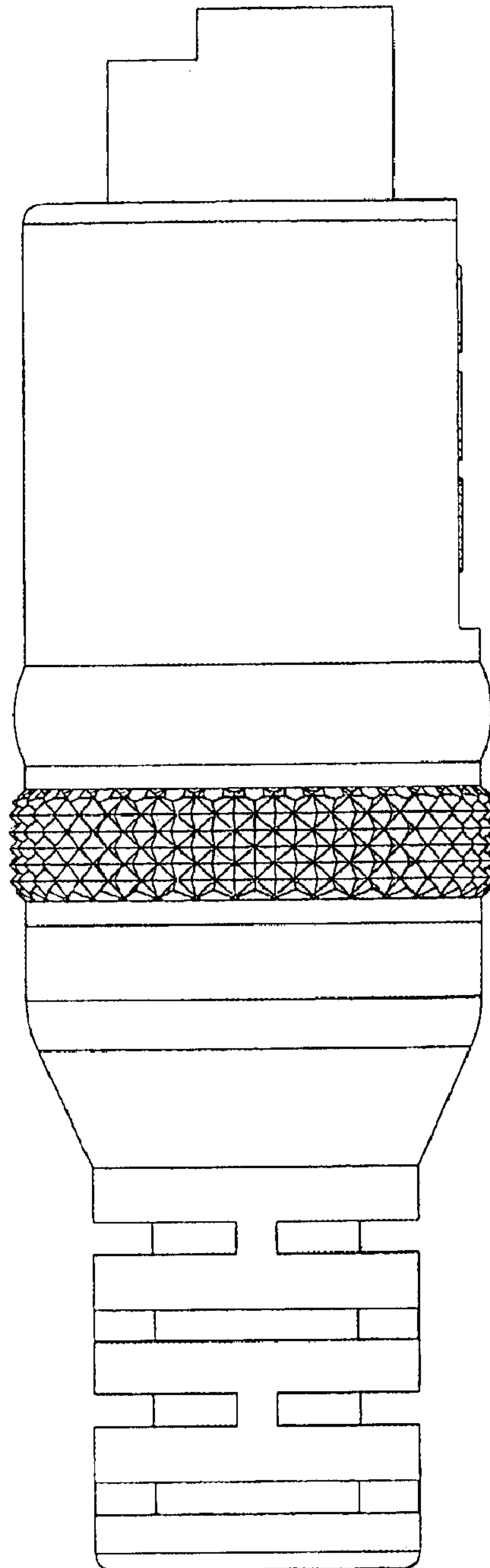


FIG. 3

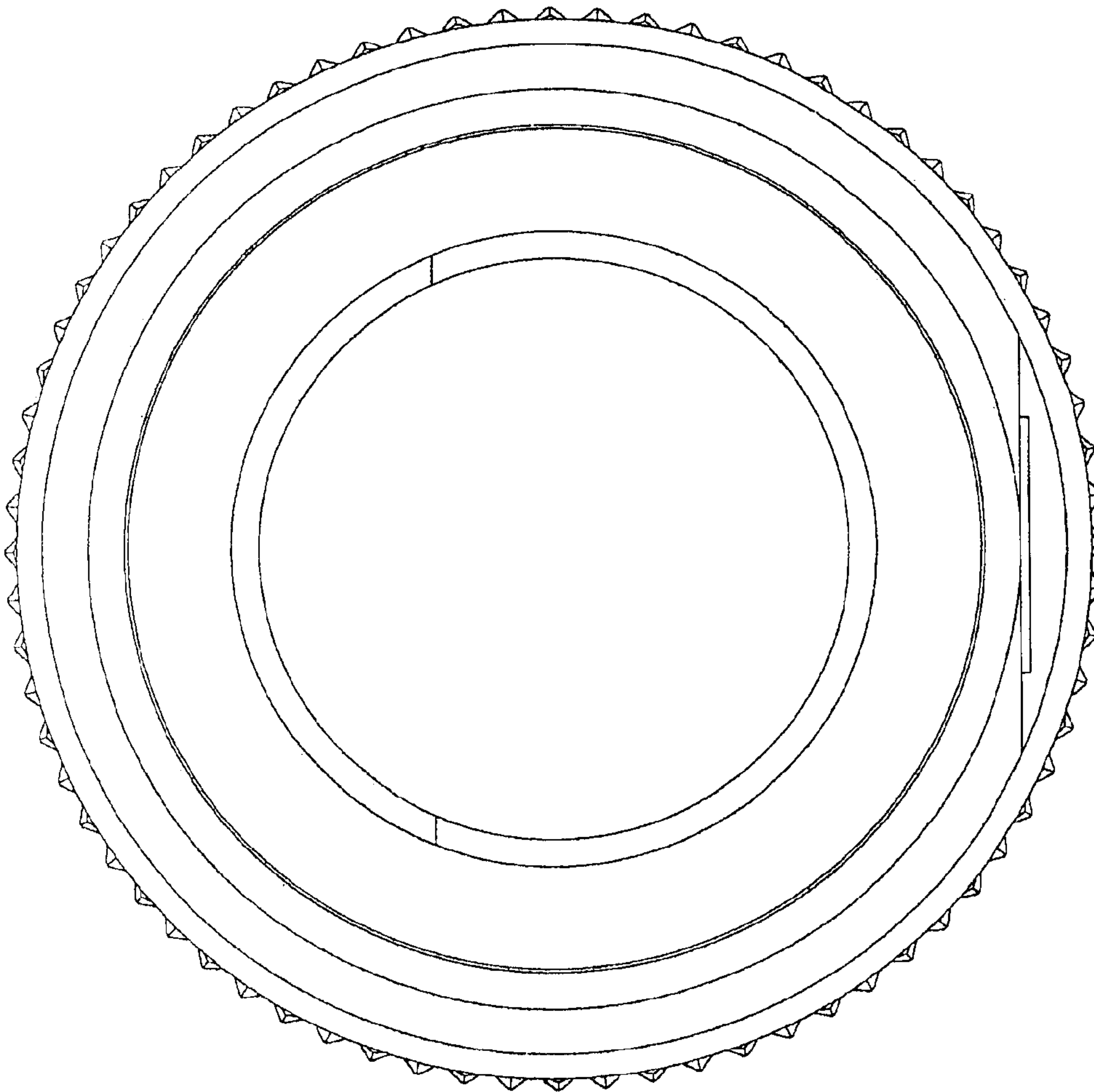


FIG. 4

