



US00D580862S

(12) **United States Design Patent**  
**Amidon**

(10) **Patent No.:** **US D580,862 S**

(45) **Date of Patent:** **\*\* Nov. 18, 2008**

(54) **RCA CABLE CONNECTOR**

(75) Inventor: **Jeremy Amidon**, Marcellus, NY (US)

(73) Assignee: **John Mezzalingua Assoc., Inc.**, East Syracuse, NY (US)

(\*\*) Term: **14 Years**

(21) Appl. No.: **29/278,903**

(22) Filed: **Apr. 13, 2007**

(51) **LOC (8) Cl.** ..... **13-03**

(52) **U.S. Cl.** ..... **D13/133**

(58) **Field of Classification Search** ..... D13/123,  
D13/133, 146, 147, 149, 153, 154, 184, 199;  
439/489, 491, 502, 505, 578, 583, 584, 585,  
439/625, 668, 669, 675, 751, 825; 174/72 R  
See application file for complete search history.

(56) **References Cited**

U.S. PATENT DOCUMENTS

4,932,897	A *	6/1990	Lee et al.	.....	439/578
D355,159	S *	2/1995	Cheng	.....	D13/133
D400,171	S	10/1998	Nimpoeno		
D403,302	S	12/1998	Awbrey		
D411,170	S	6/1999	Deutsch		
D413,569	S	9/1999	Peterson		

D414,462	S	9/1999	Peterson		
D425,023	S	5/2000	Awbrey		
D448,347	S *	9/2001	Zoiss et al.	.....	D13/146
D516,510	S	3/2006	Disbennett		
D530,669	S	10/2006	Sheng		
7,156,695	B2 *	1/2007	Holliday	.....	439/584
D544,837	S *	6/2007	Disbennett et al.	.....	D13/133
D561,112	S *	2/2008	Victor	.....	D13/154
2007/0105439	A1 *	5/2007	Burris et al.	.....	439/578

\* cited by examiner

*Primary Examiner*—Daniel D Bui

*Assistant Examiner*—Thomas J Johannes

(74) *Attorney, Agent, or Firm*—Melissa Bitting

(57) **CLAIM**

I claim the ornamental design for an RCA cable connector, as shown and described.

**DESCRIPTION**

FIG. 1 is a perspective view of an RCA cable connector showing my new design;

FIG. 2 is a side elevation view thereof, with the opposite side elevation view being a mirror image thereto;

FIG. 3 is a top plan view thereof, in an enlarged scale; and,

FIG. 4 is a bottom plan view thereof, in an enlarged scale.

**1 Claim, 4 Drawing Sheets**

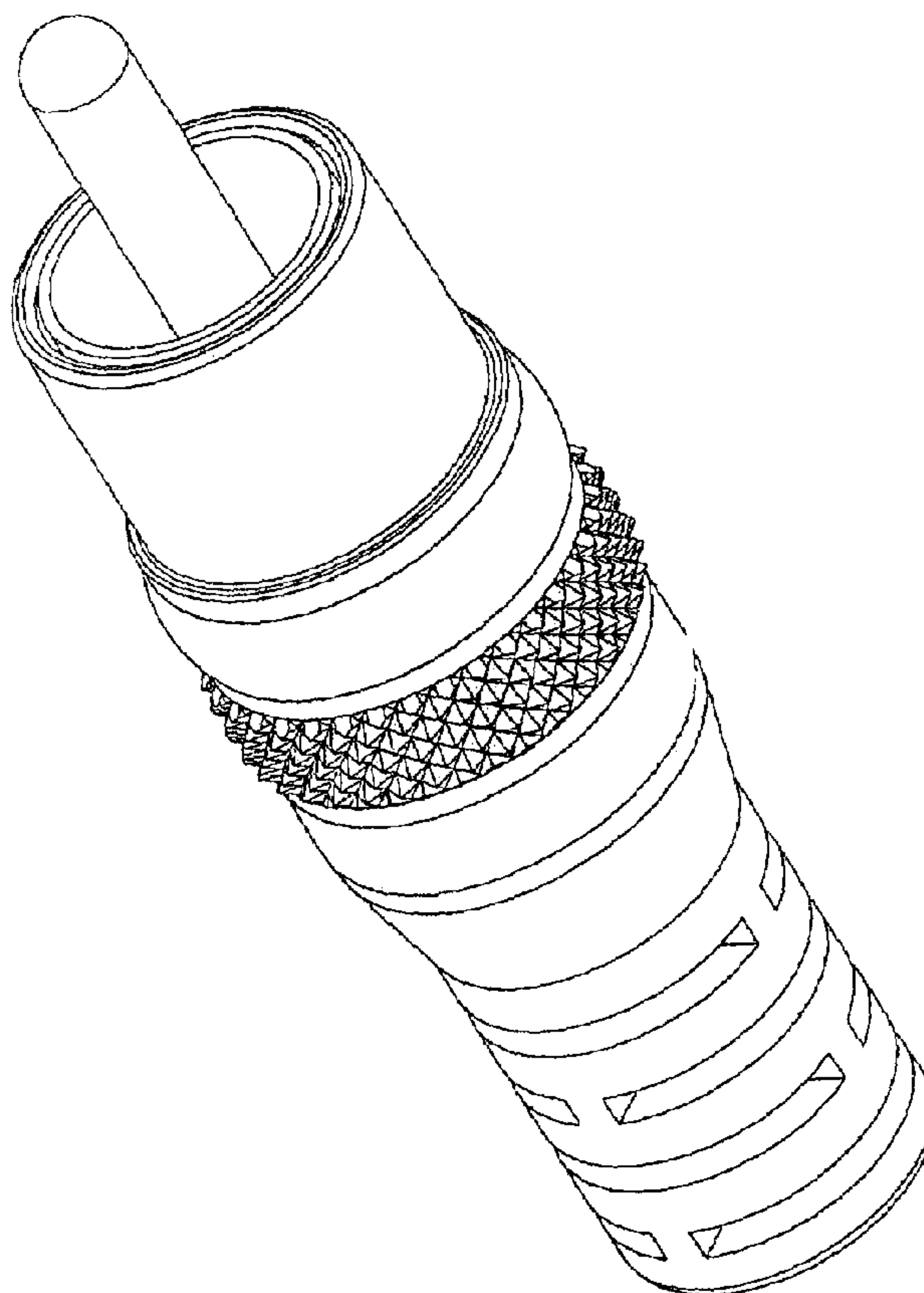


FIG. 1

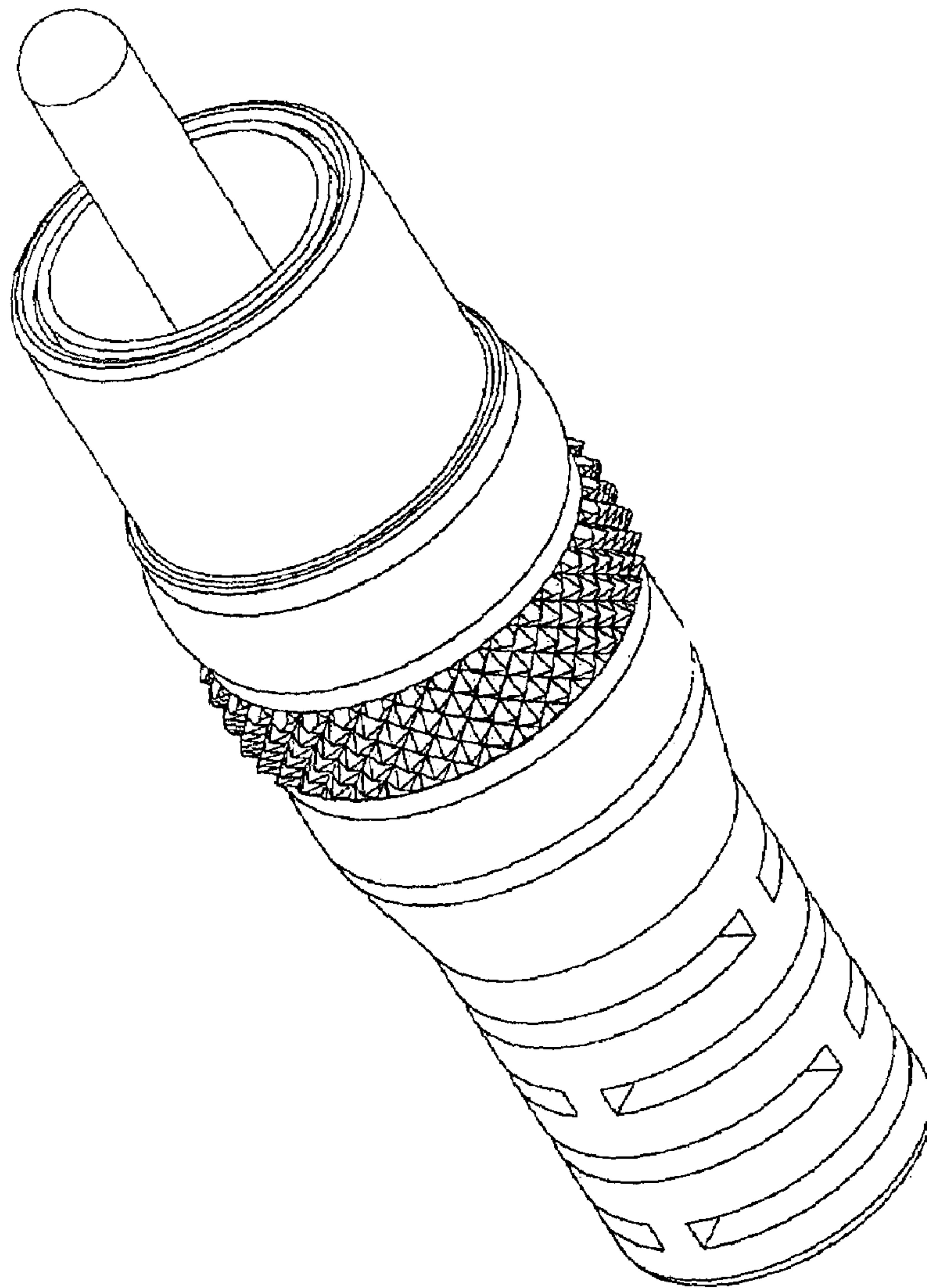


FIG. 2

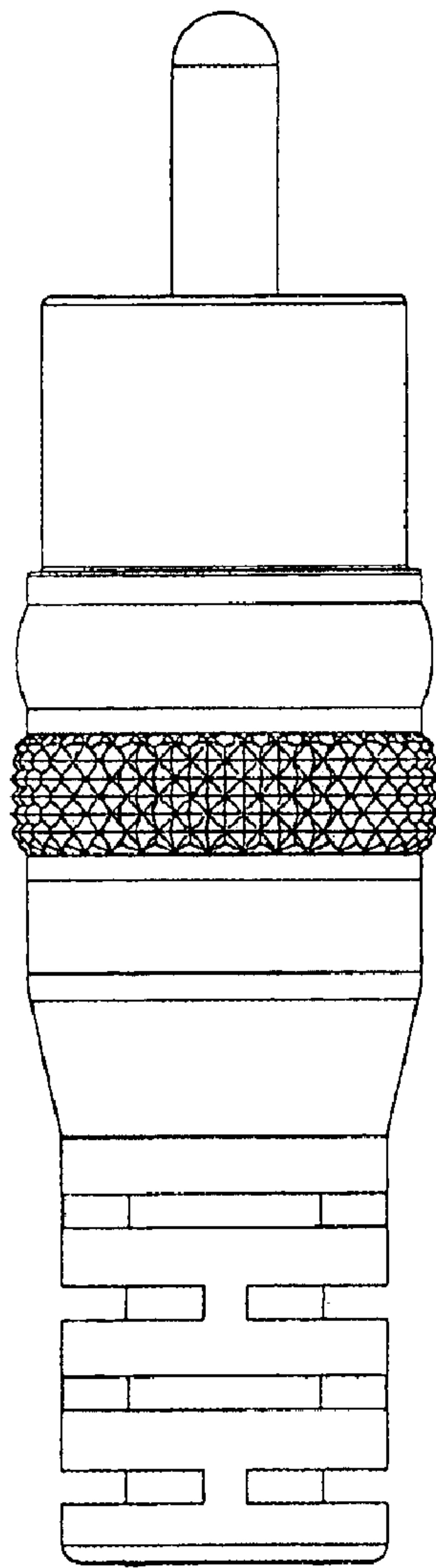


FIG. 3

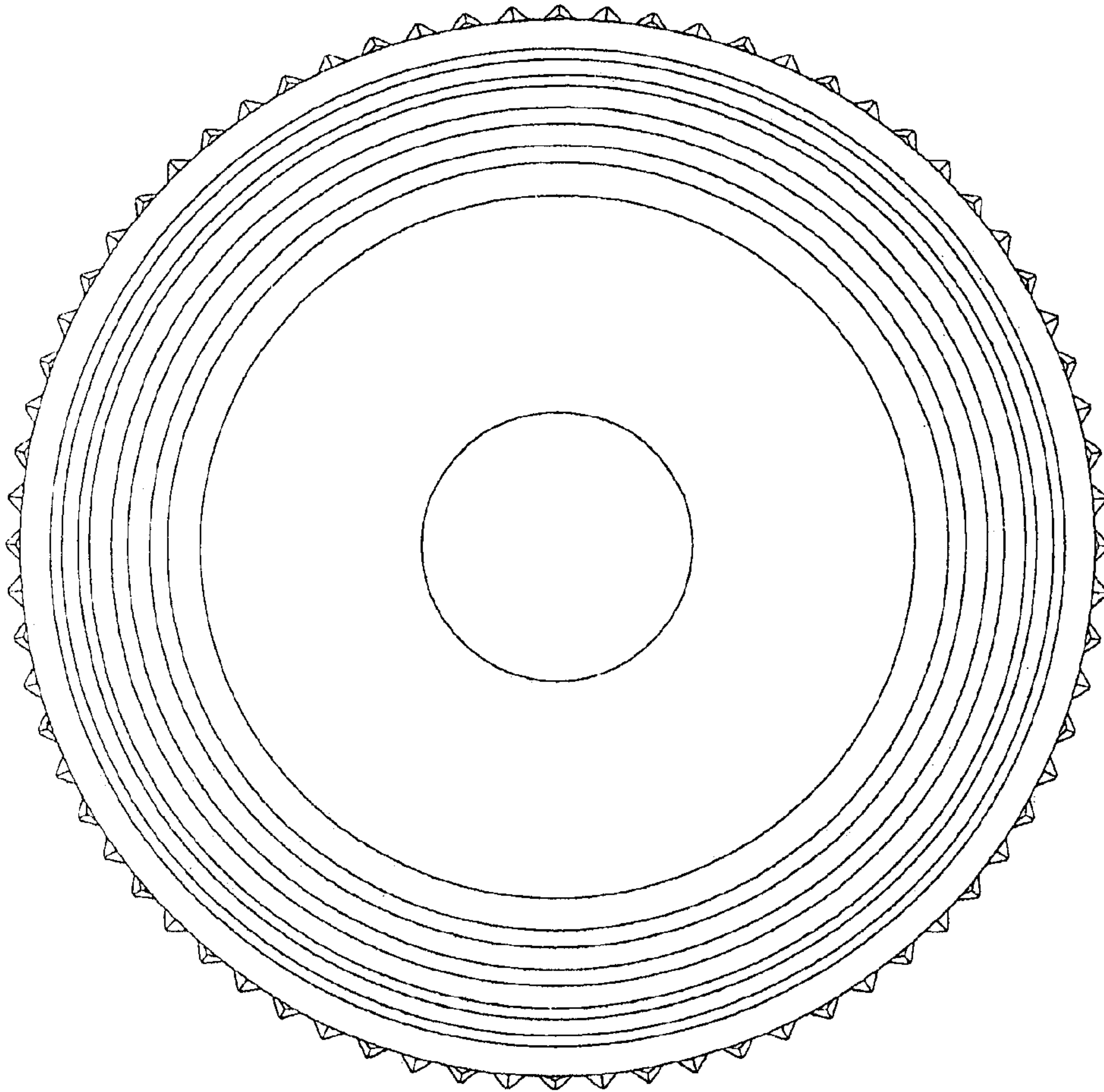


FIG. 4

