



US00D580861S

(12) **United States Design Patent**
Amidon

(10) **Patent No.:** **US D580,861 S**

(45) **Date of Patent:** **** *Nov. 18, 2008**

(54) **LOCKING HDMI CONNECTOR IN AN UNLOCKED POSITION**

(75) Inventor: **Jeremy Amidon**, Marcellus, NY (US)

(73) Assignee: **John Mezzalingua Associates, Inc**, East Syracuse, NY (US)

(*) Notice: This patent is subject to a terminal disclaimer.

(**) Term: **14 Years**

(21) Appl. No.: **29/278,306**

(22) Filed: **Mar. 26, 2007**

(51) **LOC (8) Cl.** **13-03**

(52) **U.S. Cl.** **D13/133; D13/147**

(58) **Field of Classification Search** D13/133, D13/146-147, 153, 154, 184; 439/79, 248, 439/258, 274, 476.1, 660, 607-610, 894
See application file for complete search history.

(56) **References Cited**

U.S. PATENT DOCUMENTS

| | | | | | |
|------------|---|---------|---------------|-------|---------|
| D416,540 S | * | 11/1999 | Sato et al. | | D13/147 |
| D436,076 S | * | 1/2001 | Montena | | D13/133 |
| D437,291 S | * | 2/2001 | Ohtani | | D13/147 |
| D475,976 S | * | 6/2003 | Montena | | D13/151 |
| D482,330 S | * | 11/2003 | Suzuki et al. | | D13/147 |
| D509,190 S | | 9/2005 | Tsai | | |
| D509,475 S | | 9/2005 | Tsai | | |
| D509,799 S | | 9/2005 | Tsai | | |
| D509,808 S | | 9/2005 | Tsai | | |

| | | | | | |
|-----------------|---|---------|--------------|-------|---------|
| D510,069 S | | 9/2005 | Tsai | | |
| D510,909 S | | 10/2005 | Tsai | | |
| D519,451 S | * | 4/2006 | Fox | | D13/133 |
| D525,589 S | * | 7/2006 | Wu | | D13/147 |
| D527,709 S | * | 9/2006 | Kuo | | D13/147 |
| D531,127 S | * | 10/2006 | Zhong et al. | | D13/147 |
| D537,780 S | | 3/2007 | Suckle | | |
| D543,156 S | * | 5/2007 | Suckle | | D13/154 |
| D563,899 S | * | 3/2008 | Goetz et al. | | D13/154 |
| 2006/0121783 A1 | * | 6/2006 | Wu et al. | | 439/607 |

* cited by examiner

Primary Examiner—Daniel D Bui

(74) *Attorney, Agent, or Firm*—Melissa Bitting

(57) **CLAIM**

The ornamental design for a locking HDMI connector in an unlocked position, as shown and described.

DESCRIPTION

FIG. 1 is a top, front and right side perspective view of a locking HDMI connector in an unlocked position showing my new design;

FIG. 2 is a side elevation view thereof, the opposite side elevation view being a mirror image thereto;

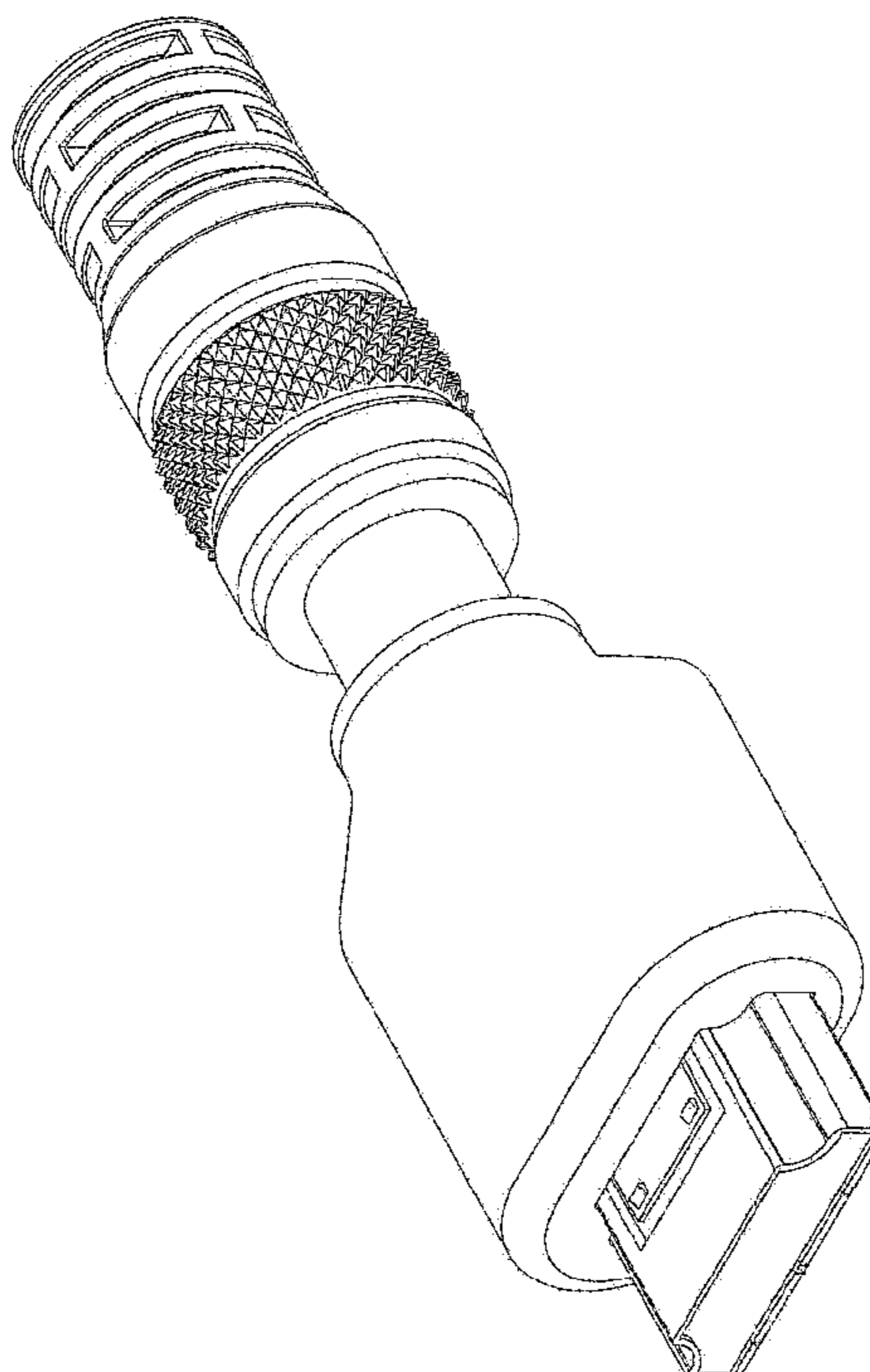
FIG. 3 is a top plan view thereof;

FIG. 4 is a front elevation view thereof, on an enlarged scale; and,

FIG. 5 is a rear elevation view thereof, on an enlarged scale.

The broken line showing of the environment is for illustrative purposes only and forms no part of the claimed design.

1 Claim, 5 Drawing Sheets



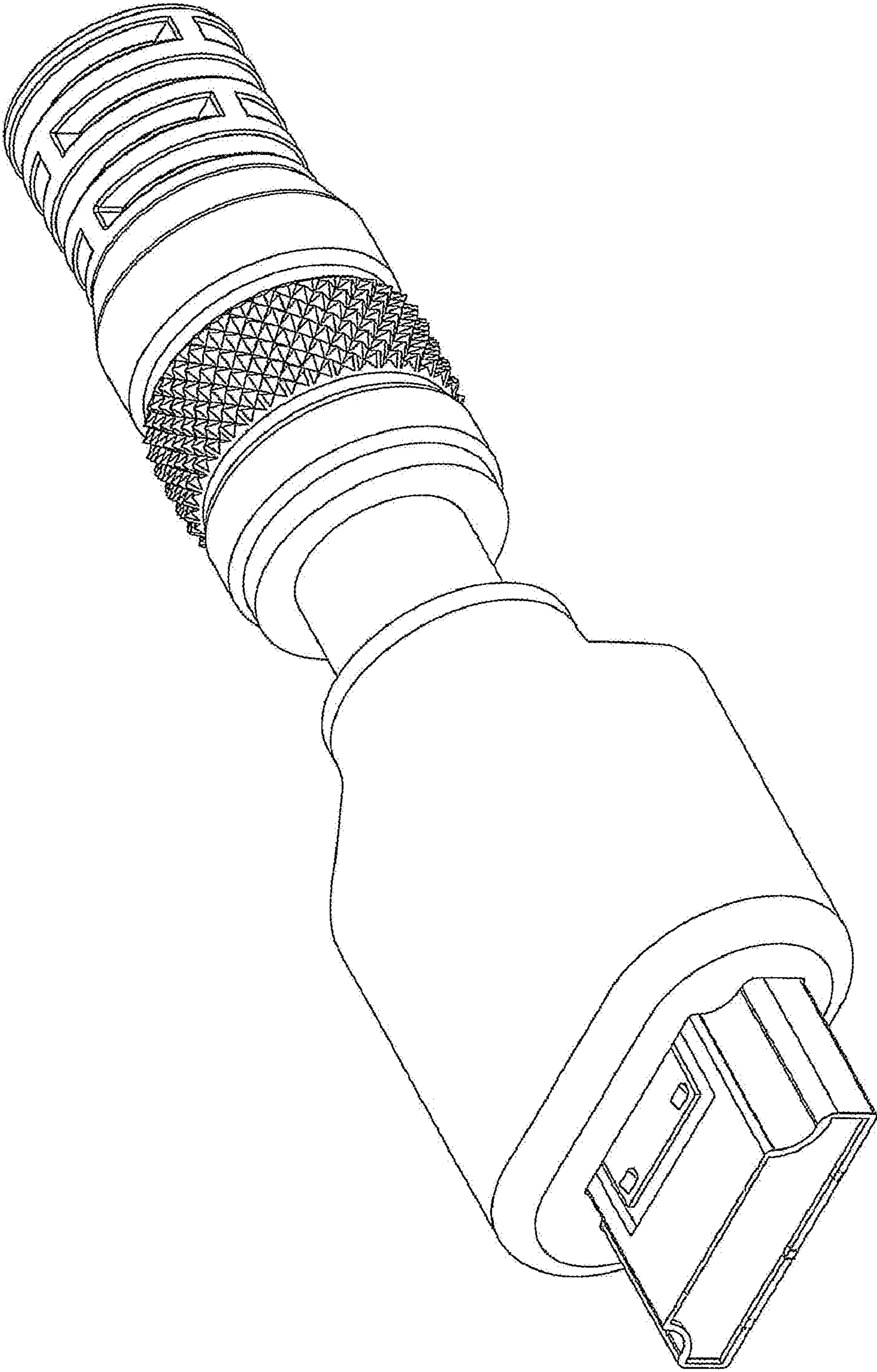


FIG. 1

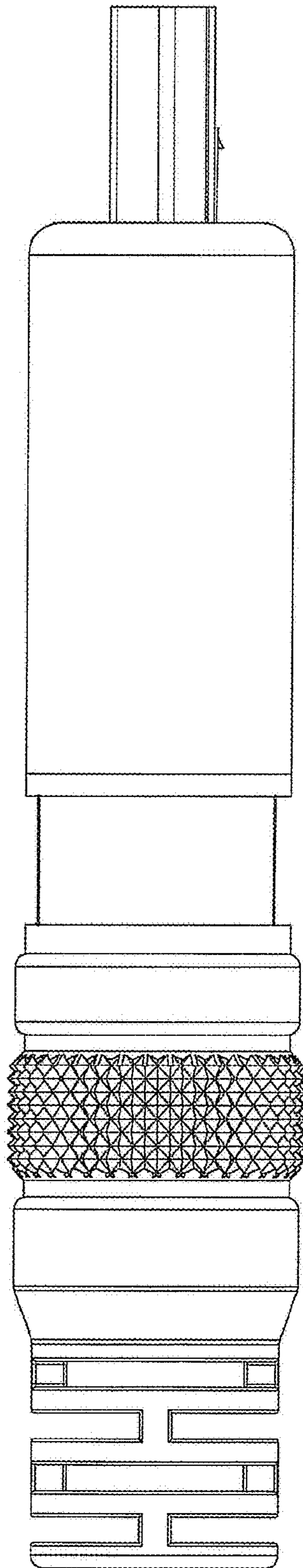


FIG. 2

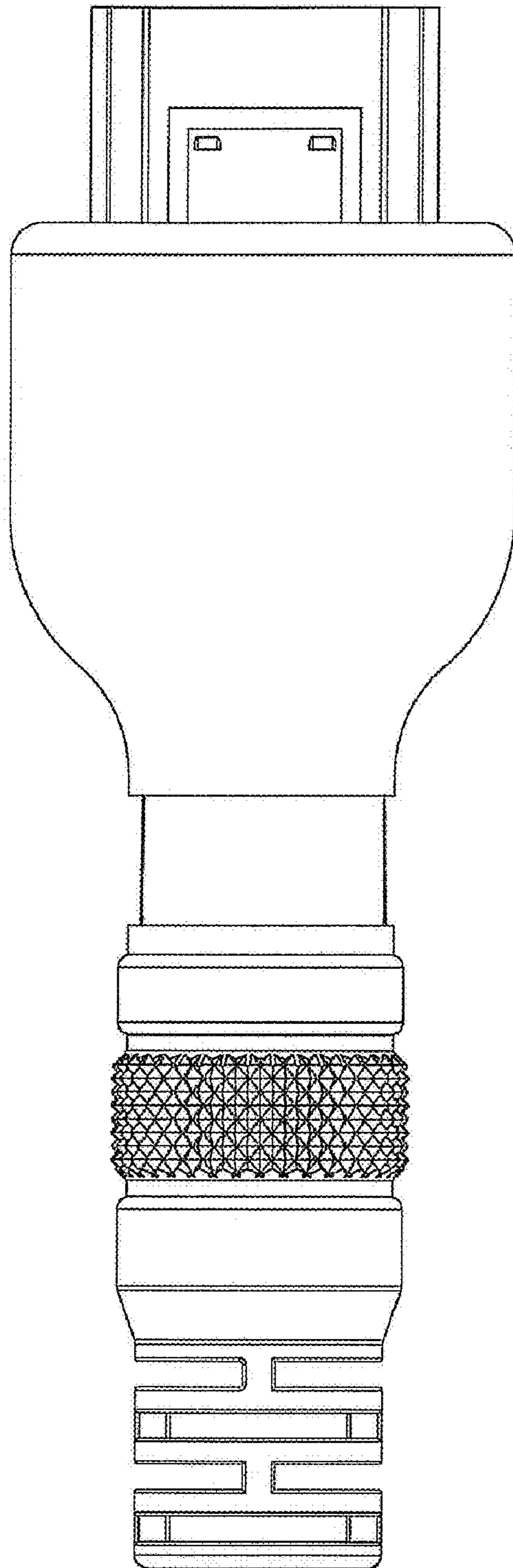


FIG. 3

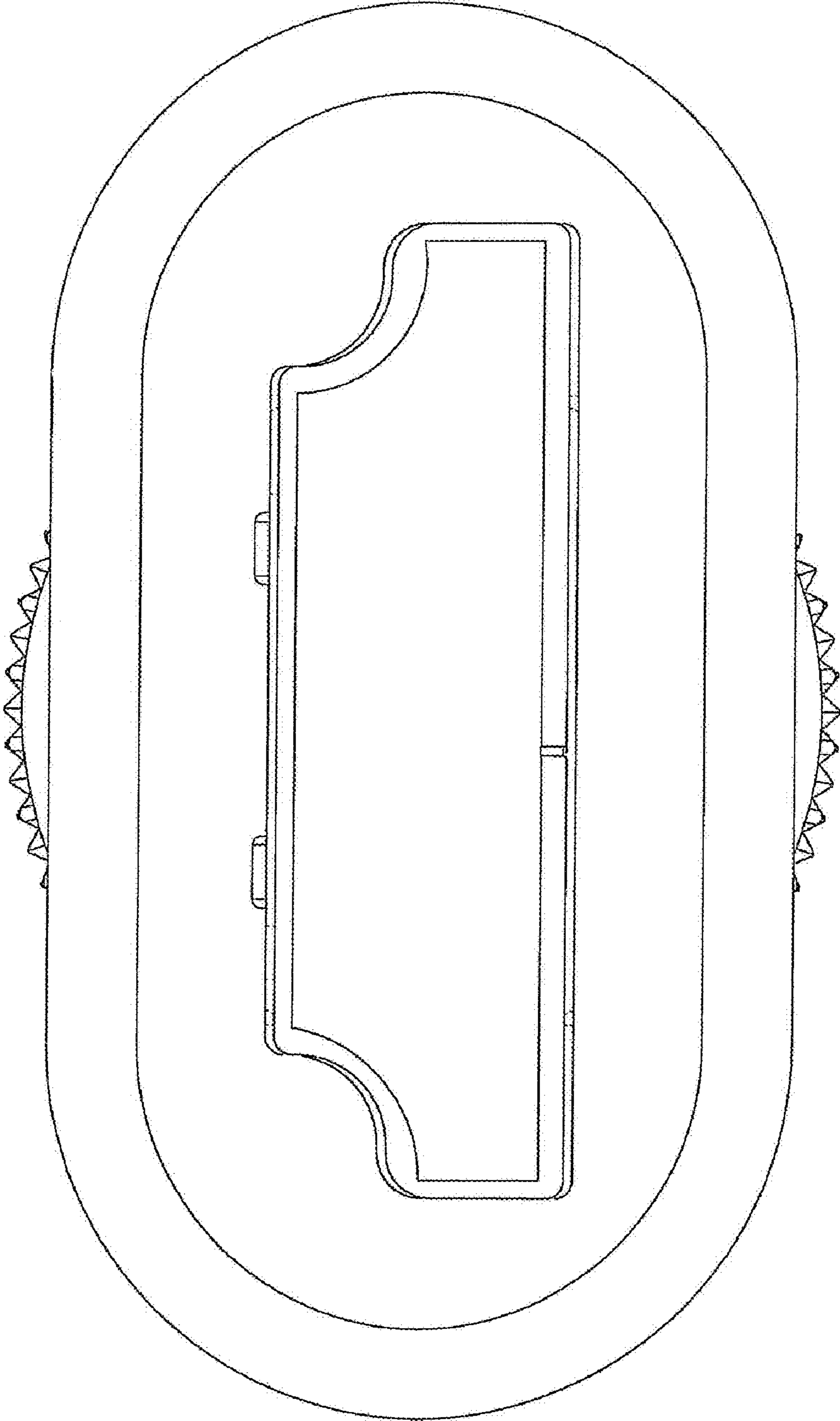


FIG. 4

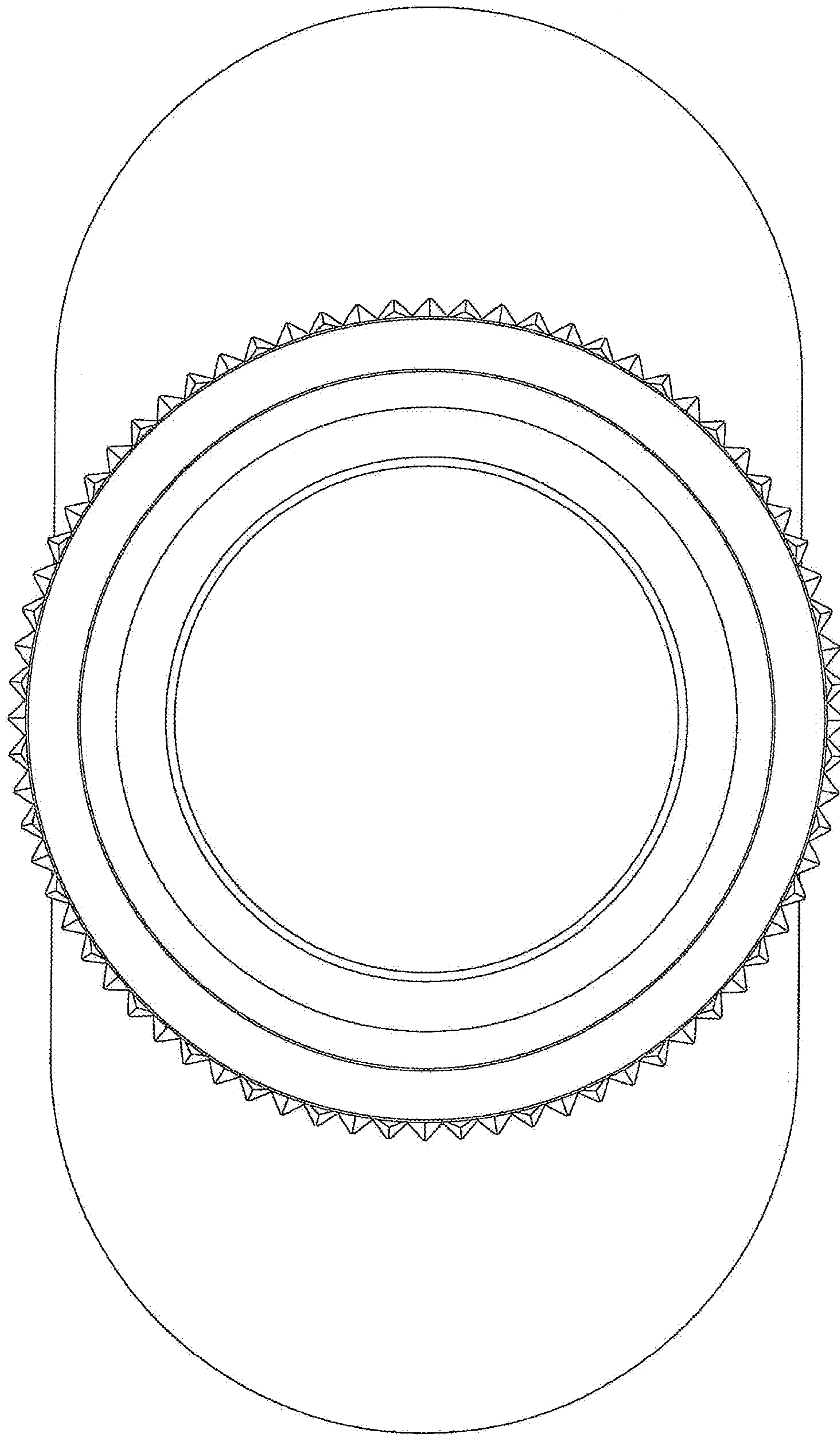


FIG. 5