



US00D580858S

(12) **United States Design Patent**  
**Heinzig et al.**

(10) **Patent No.:** **US D580,858 S**  
(45) **Date of Patent:** **\*\* Nov. 18, 2008**

(54) **TRANSFORMER WITH A SET OF COMPONENTS**

(75) Inventors: **Peter Heinzig**, Wendelstein (DE); **Jens Hoppe**, Schwarzenbruck (DE); **Dietmar Jahnel**, Nürnberg (DE); **Klaus Müller**, Wendelstein (DE); **Uwe Rimmele**, Berlin (DE); **Johann Schlager**, Nürnberg (DE); **Lambert Schummer**, Nürnberg (DE); **Helmut Schwendner**, Nürnberg (DE)

(73) Assignee: **Siemens Aktiengesellschaft**, Munich (DE)

(\*\*) Term: **14 Years**

(21) Appl. No.: **29/305,276**

(22) Filed: **Mar. 17, 2008**

**Related U.S. Application Data**

(62) Division of application No. 29/286,389, filed on May 3, 2007, now Pat. No. Des. 567,756.

(30) **Foreign Application Priority Data**

Nov. 3, 2006 (EM) ..... 000 621 388

(51) **LOC (8) Cl.** ..... **13-02**

(52) **U.S. Cl.** ..... **D13/110**

(58) **Field of Classification Search** ..... D13/110,  
D13/101, 199; 174/52 R; 220/4.02; 336/92,  
336/94, 98, 107; 363/153, 171

See application file for complete search history.

(56) **References Cited**

**U.S. PATENT DOCUMENTS**

D188,248 S \* 6/1960 Bianco et al. .... D13/110

D188,249 S \* 6/1960 Bianco et al. .... D13/110  
D202,045 S \* 8/1965 Oberlin ..... D13/110  
3,479,563 A \* 11/1969 Roy ..... 361/41  
4,027,279 A \* 5/1977 Shigehara ..... 336/90  
D259,040 S \* 4/1981 Pierce ..... D13/110  
D294,565 S \* 3/1988 Makinson et al. .... D13/110  
D348,868 S \* 7/1994 Terlop et al. .... D13/110  
6,185,811 B1 \* 2/2001 Perry ..... 29/606

\* cited by examiner

*Primary Examiner*—Prabhakar Deshmukh

*Assistant Examiner*—Derrick Holland

(74) *Attorney, Agent, or Firm*—Laurence A. Greenberg;  
Werner H. Stemer; Ralph E. Locher

(57) **CLAIM**

The ornamental design for the transformer with a set of components, as shown and described.

**DESCRIPTION**

FIG. 1 is a front elevational view of a transformer with a set of components showing our new design;

FIG. 2 is a rear elevational view thereof;

FIG. 3 is a top plan view thereof;

FIG. 4 is a bottom plan view thereof;

FIG. 5 is right-side elevational view thereof;

FIG. 6 is left-side elevational view thereof; and,

FIG. 7 is a front, top perspective view thereof.

**1 Claim, 7 Drawing Sheets**

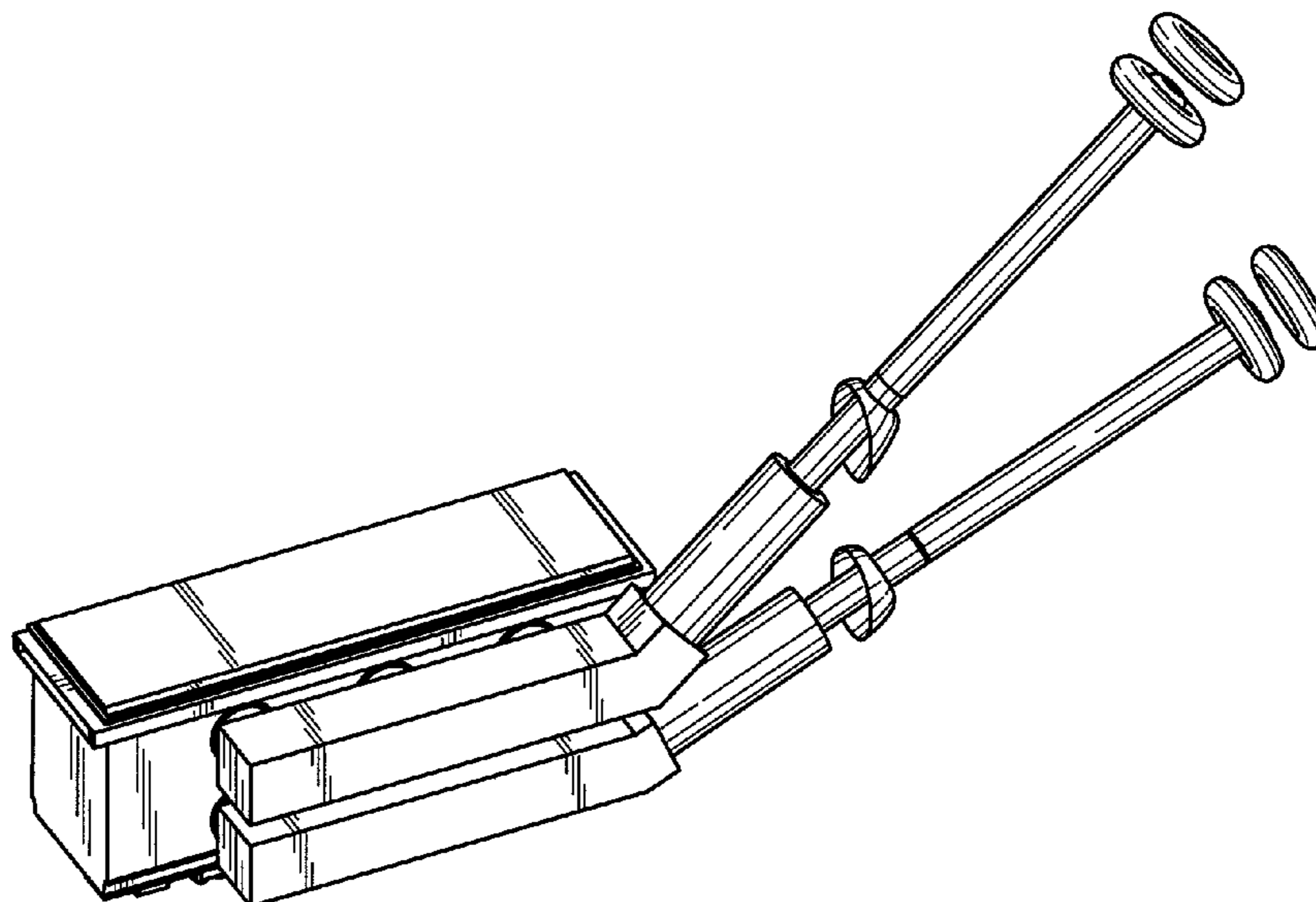


FIG.1

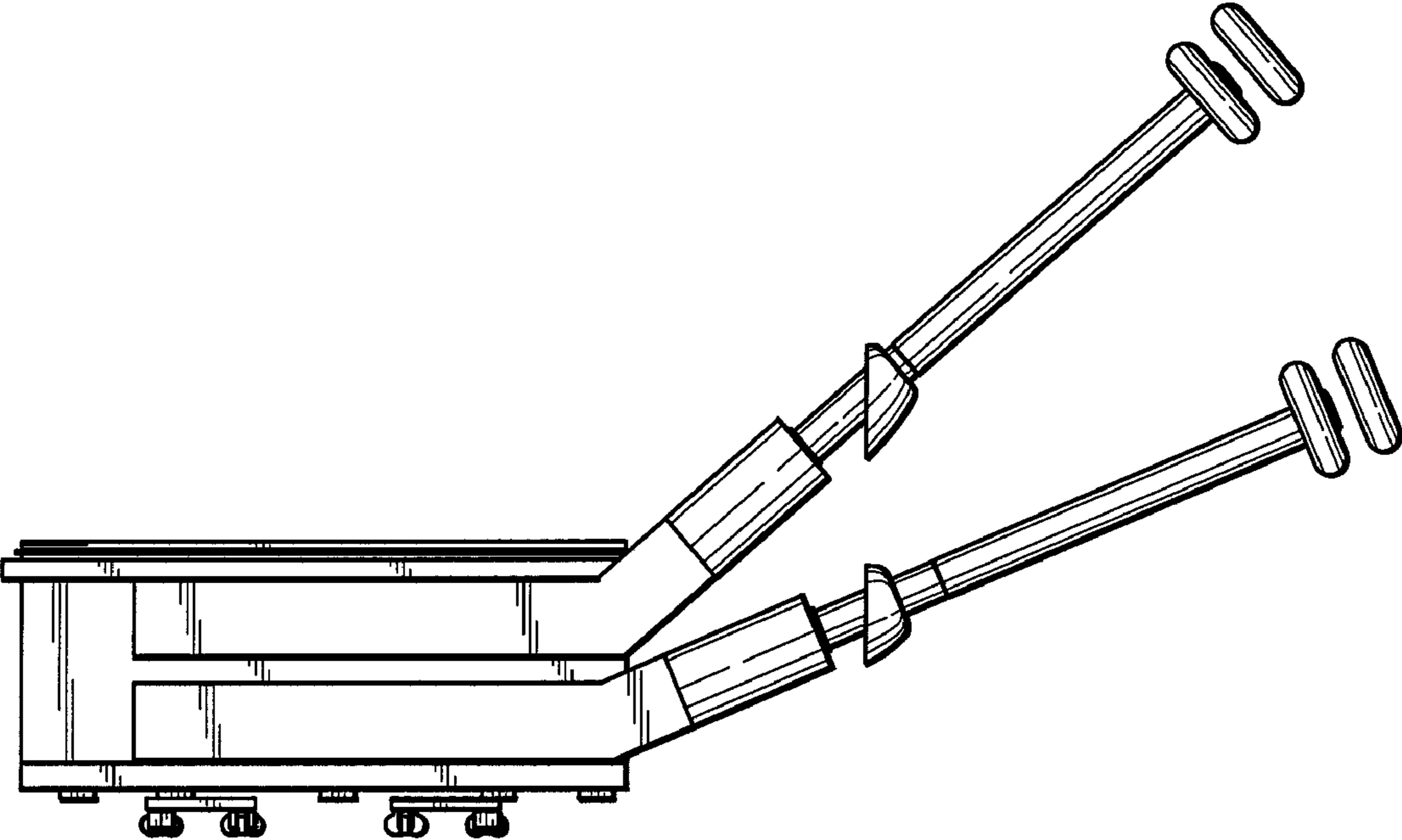


FIG.2

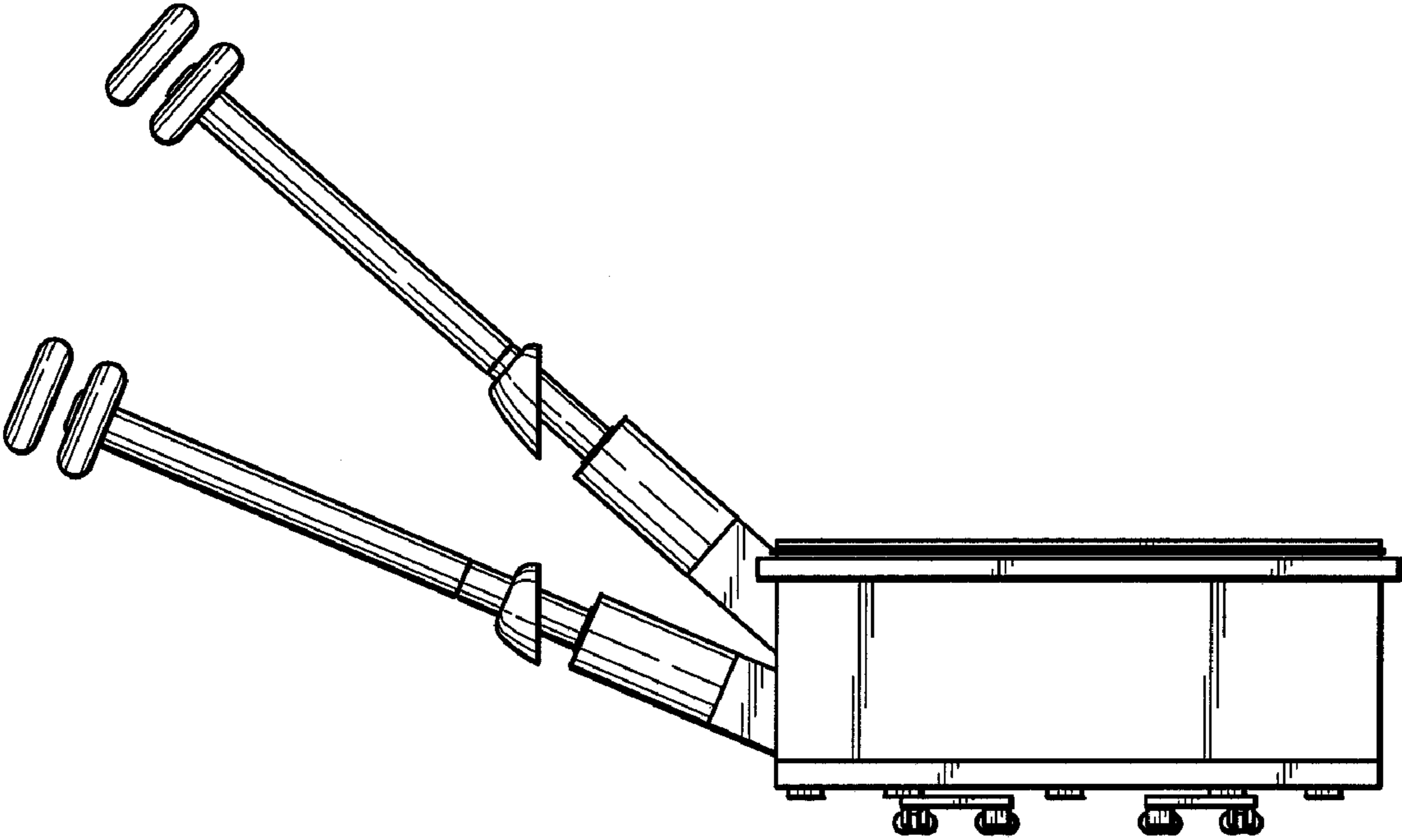


FIG.3

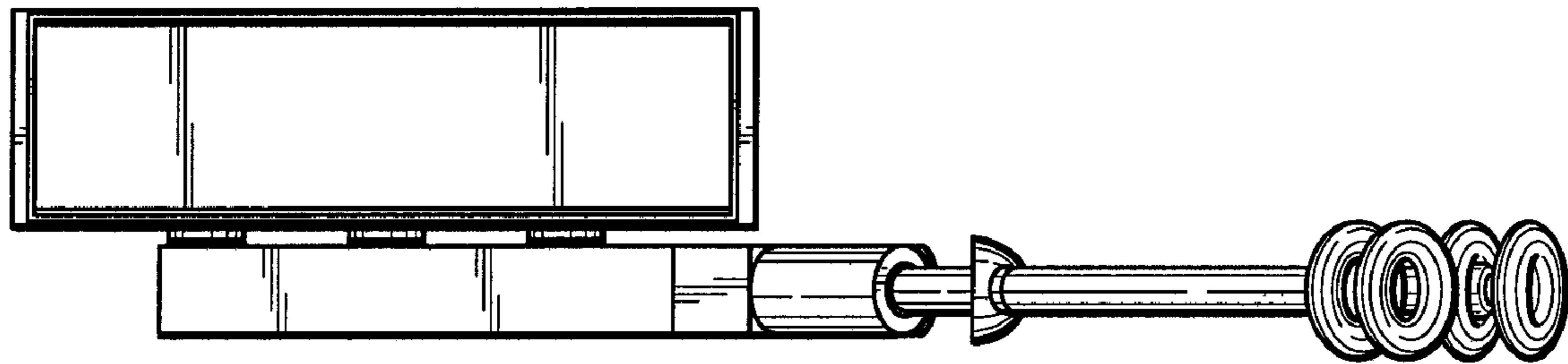


FIG.4

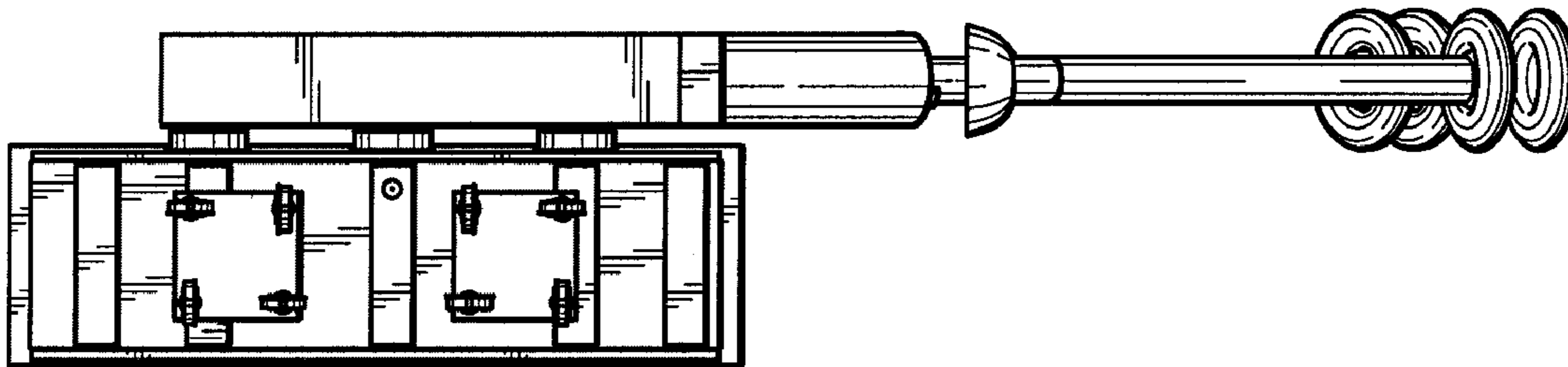


FIG.5

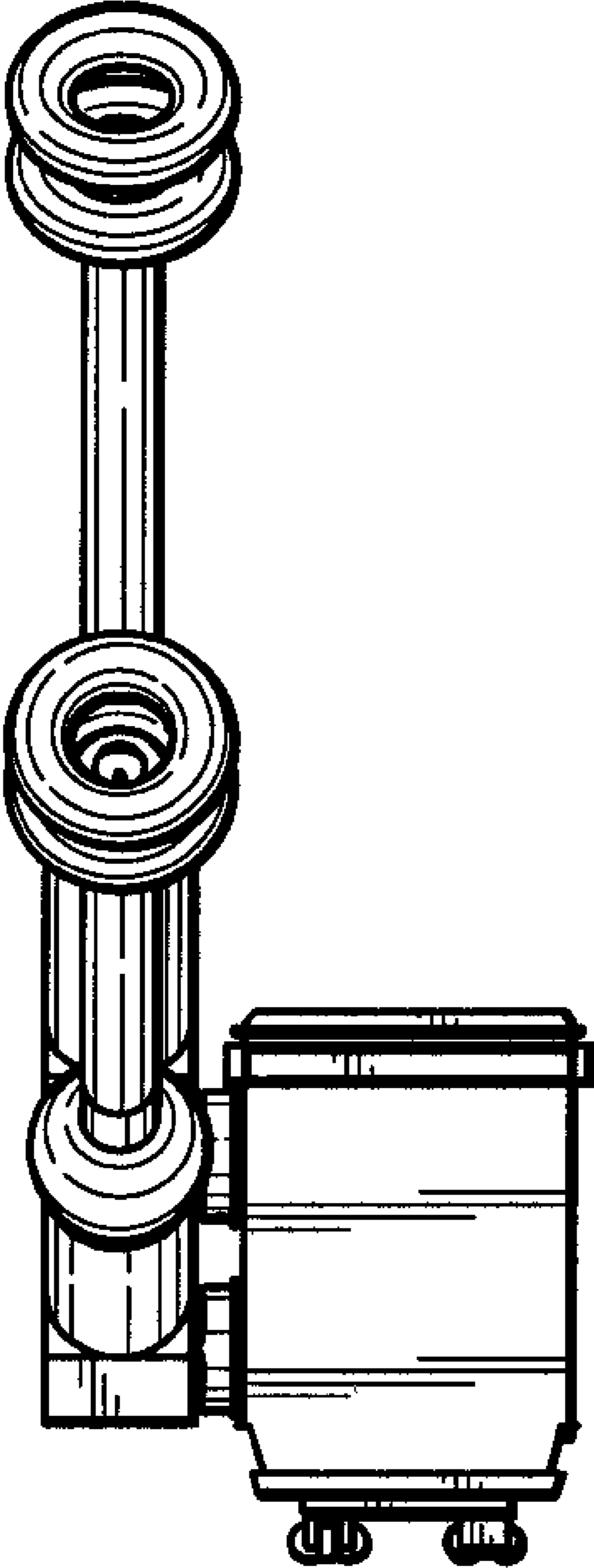


FIG.6

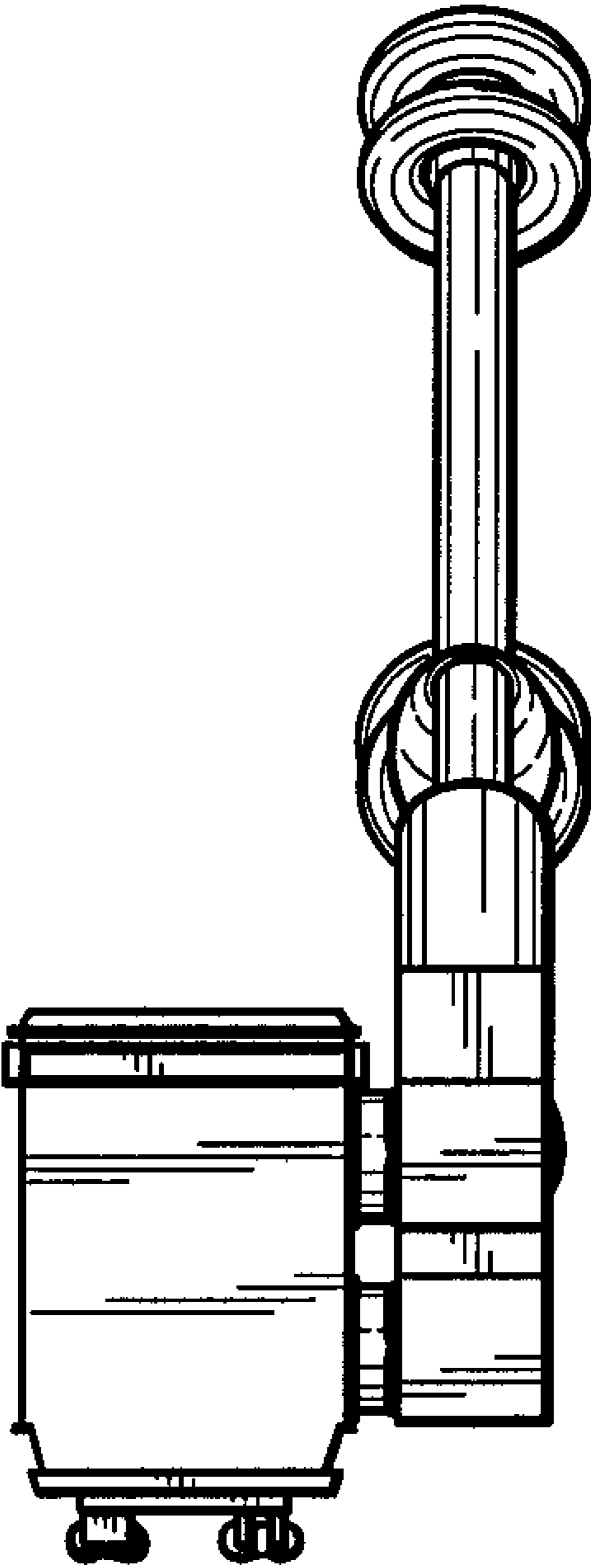


FIG.7

