



US00D580857S

(12) **United States Design Patent**
Matthew et al.

(10) **Patent No.:** **US D580,857 S**
(45) **Date of Patent:** **** Nov. 18, 2008**

(54) **REEL ASSEMBLY**

D488,448 S * 4/2004 Ranger D13/154

(75) Inventors: **Norman L. Matthew**, Highland Park, IL (US); **Vincent Alesi**, Bartlett, IL (US)

(73) Assignee: **Custom Accessories, Inc.**, Niles, IL (US)

(**) Term: **14 Years**

(21) Appl. No.: **29/241,750**

(22) Filed: **Oct. 31, 2005**

(51) **LOC (8) Cl.** **13-02**

(52) **U.S. Cl.** **D13/110; D13/144**

(58) **Field of Classification Search** D13/137.4,
D13/139.7, 139.8, 144, 153, 154; D8/356;
191/12.2 R, 12.4; 439/501; 242/378.3, 388.1,
242/379

See application file for complete search history.

(56) **References Cited**

U.S. PATENT DOCUMENTS

- D286,503 S * 11/1986 Bobrovniczky D8/359
- D341,076 S * 11/1993 Kolton D8/358
- D363,461 S * 10/1995 Duckman et al. D13/154
- D387,062 S * 12/1997 Heine D14/230
- D387,776 S * 12/1997 Chan D15/5
- D391,549 S * 3/1998 Ness D13/139.7
- 5,732,898 A * 3/1998 Odessky et al. 242/377
- 5,769,526 A 6/1998 Shaffer
- D415,998 S * 11/1999 Brown et al. D13/154
- D419,527 S * 1/2000 Hwang D13/154
- D419,528 S * 1/2000 Hakoda D13/154
- D428,327 S * 7/2000 Stekelenburg D8/359
- D430,111 S * 8/2000 Liao D13/154
- D430,851 S * 9/2000 Hwang D13/154
- D432,084 S * 10/2000 Miller D13/137.4
- 6,273,354 B1 8/2001 Kovacik et al.
- D451,075 S * 11/2001 Hwang D13/154
- D465,222 S * 11/2002 Wang D14/433
- 6,679,448 B1 1/2004 Carpenter et al.

OTHER PUBLICATIONS

Product information for a magnetic mount power light manufactured and sold by Customer Accessories, Inc. (Rev. Jul. 16, 2003).

Copending U.S. Appl. No. 29/241,521, filed Oct. 28, 2005, entitled Adjustable Light, and having common inventors and assignee with the present application.

Copending U.S. Appl. No. 11/548,778, filed Oct. 12, 2006, entitled Vehicular Light, claiming priority to U.S. Appl. No. 60/730,985, filed Oct. 28, 2005, and having common inventors and assignee with the present application.

* cited by examiner

Primary Examiner—Melanie H Tung

Assistant Examiner—Rosemary K Tarcza

(74) *Attorney, Agent, or Firm*—Patzik, Frank & Samotny Ltd.

(57) **CLAIM**

The ornamental design for an reel assembly, as shown and described.

DESCRIPTION

FIG. 1 is a perspective view of the reel assembly showing the new ornamental design thereof having a housing and a female connector and plug removably attached thereto;

FIG. 2 is a right side view thereof;

FIG. 3 is a left side view thereof;

FIG. 4 is a front view thereof;

FIG. 5 is a rear view thereof;

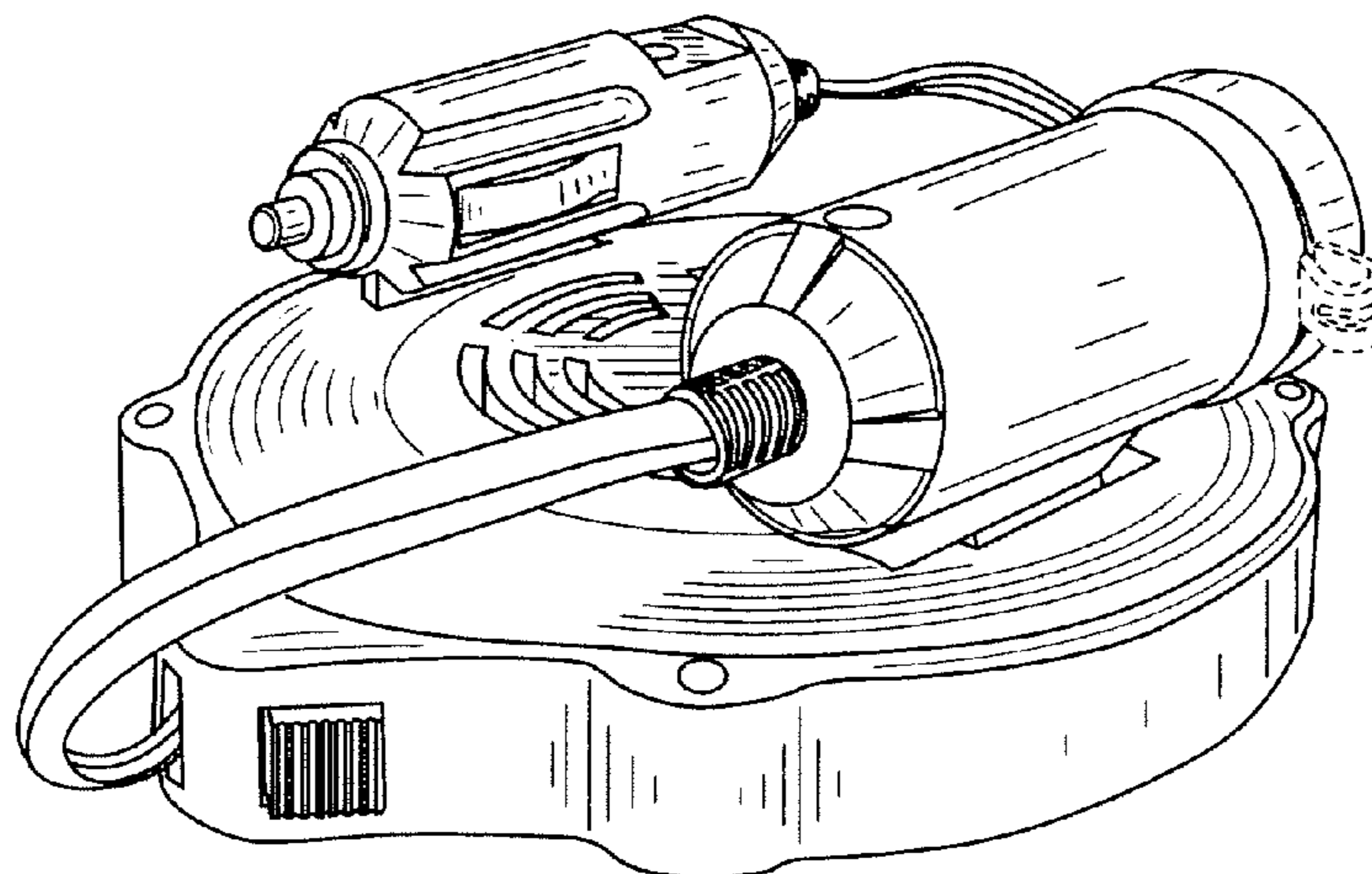
FIG. 6 is a top plan view thereof;

FIG. 7 is a bottom plan view thereof; and,

FIG. 8 is a perspective view of the reel assembly with the plug and female connector unattached from the housing.

Any features illustrated in broken lines do not comprise part of the presently claimed design.

1 Claim, 8 Drawing Sheets



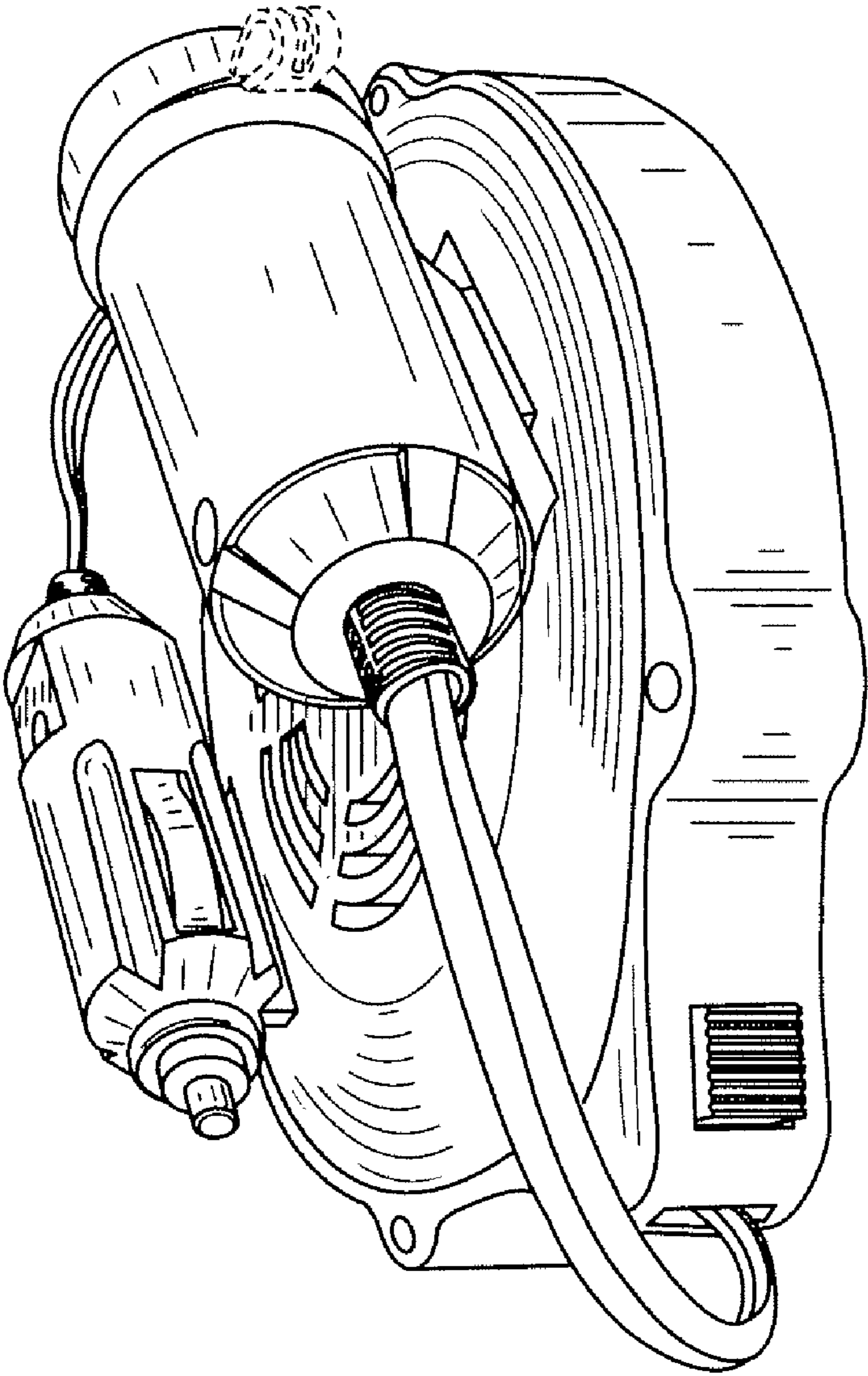


FIG. 1

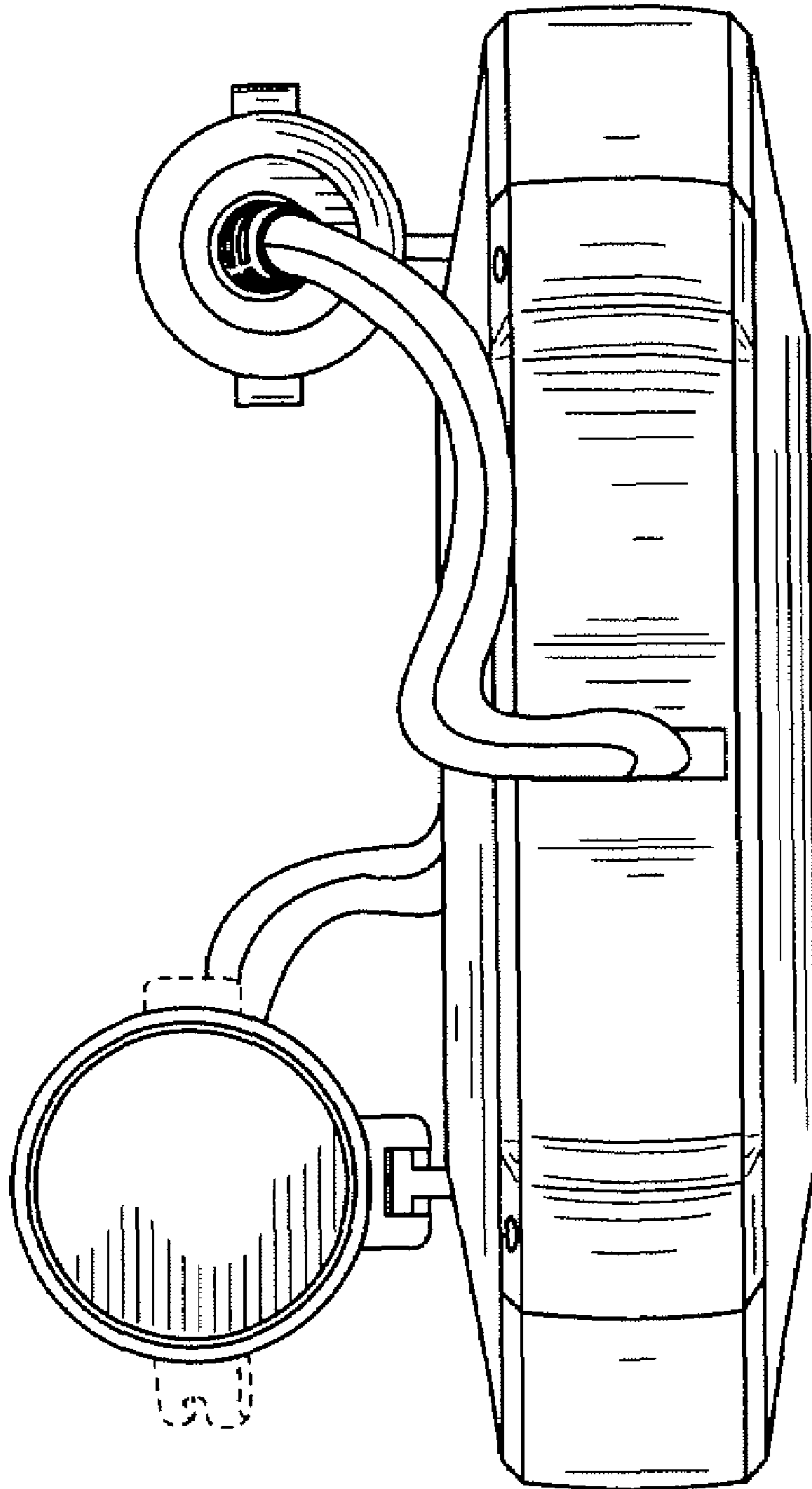


FIG. 2

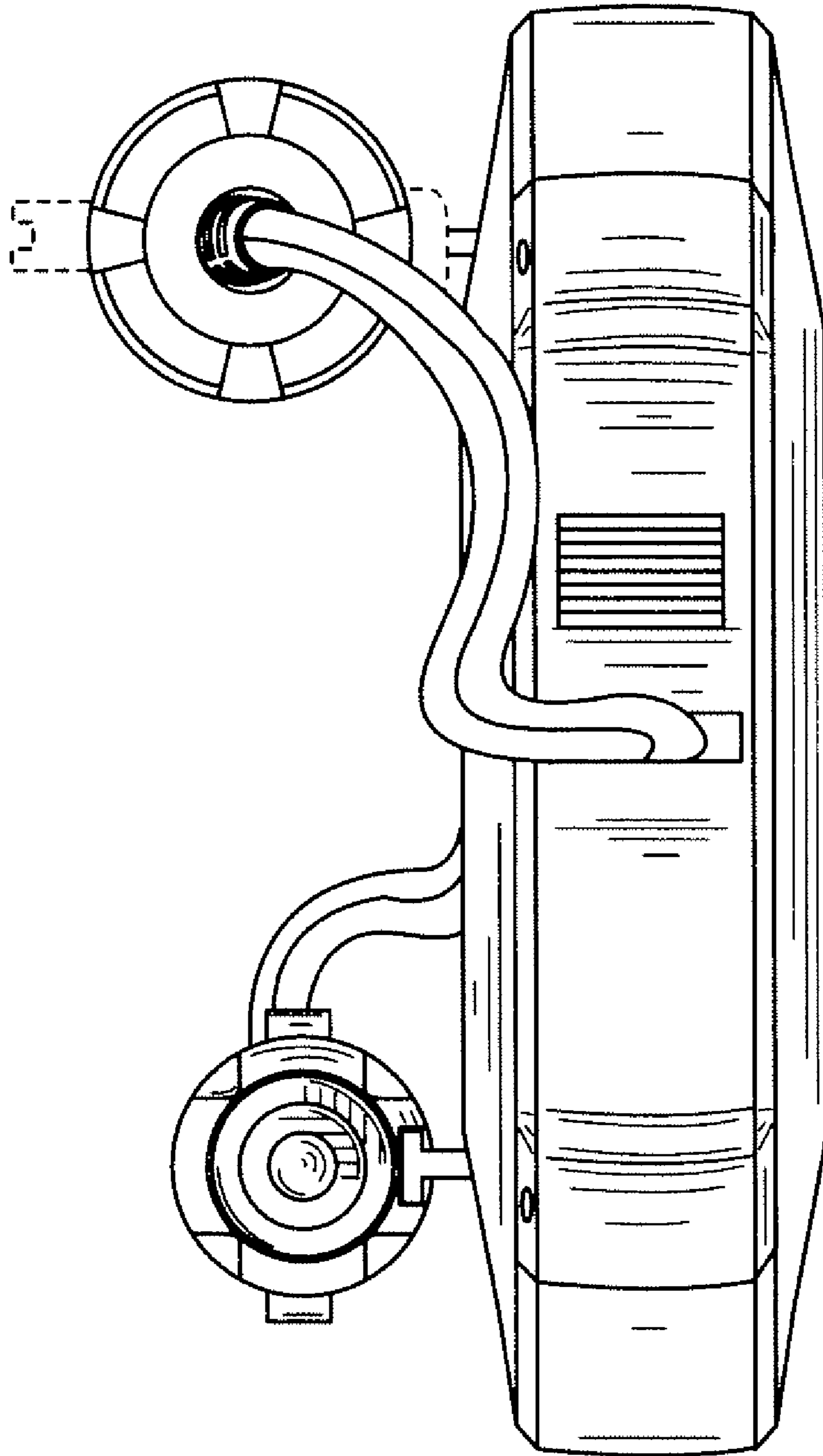


FIG. 3

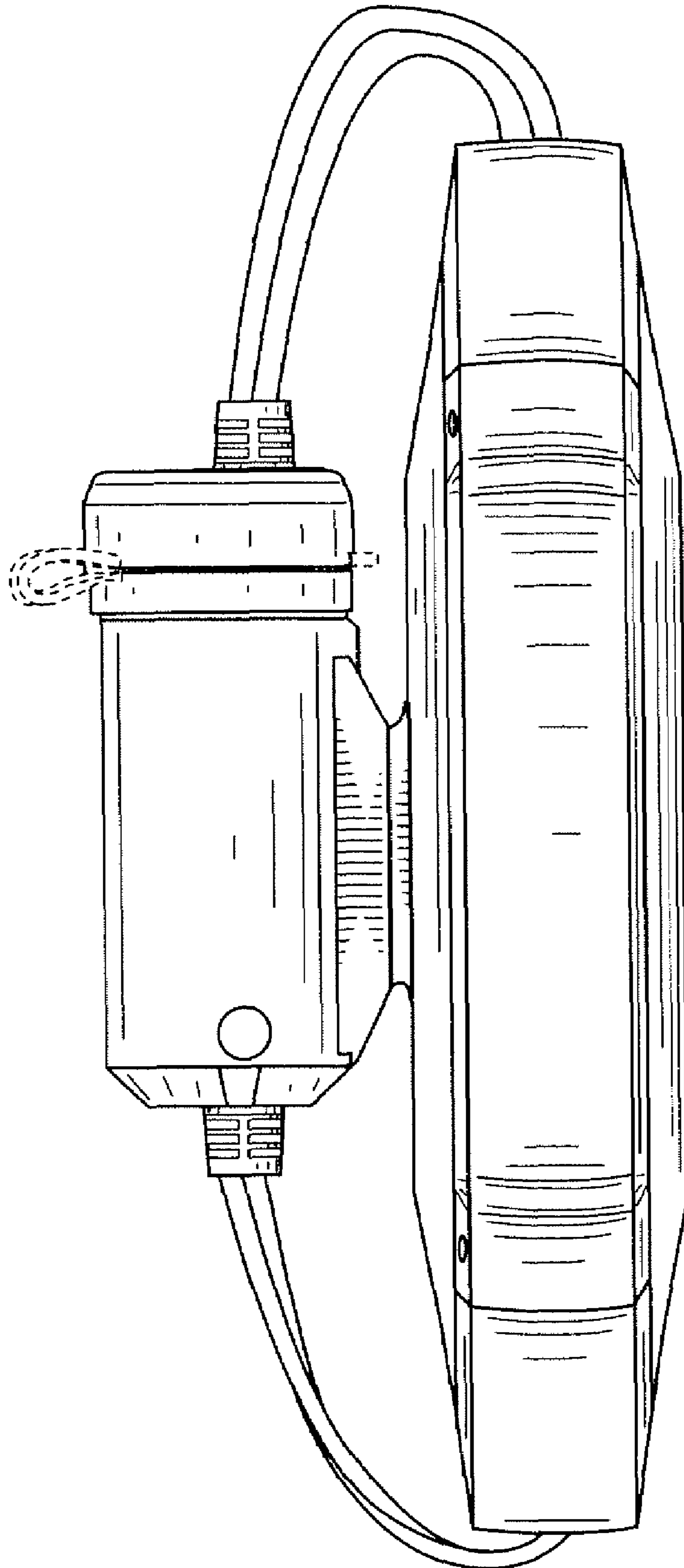


FIG. 4

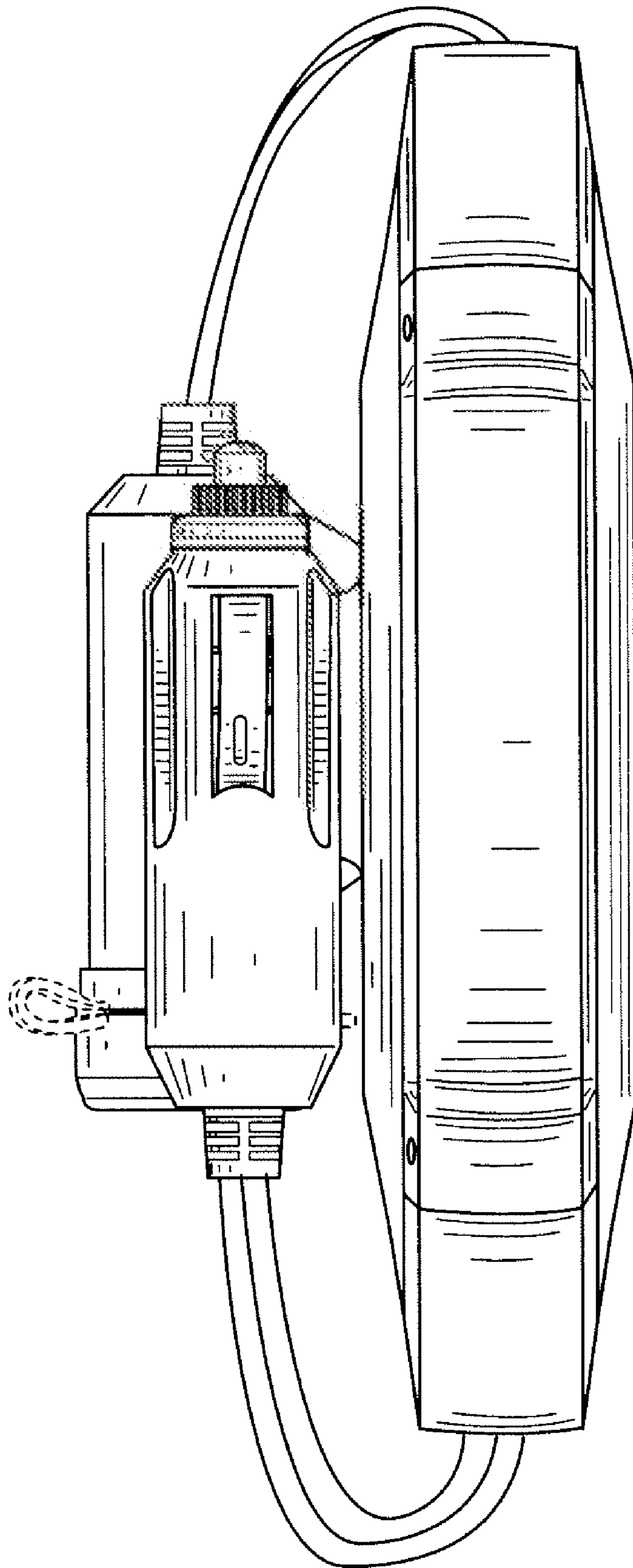
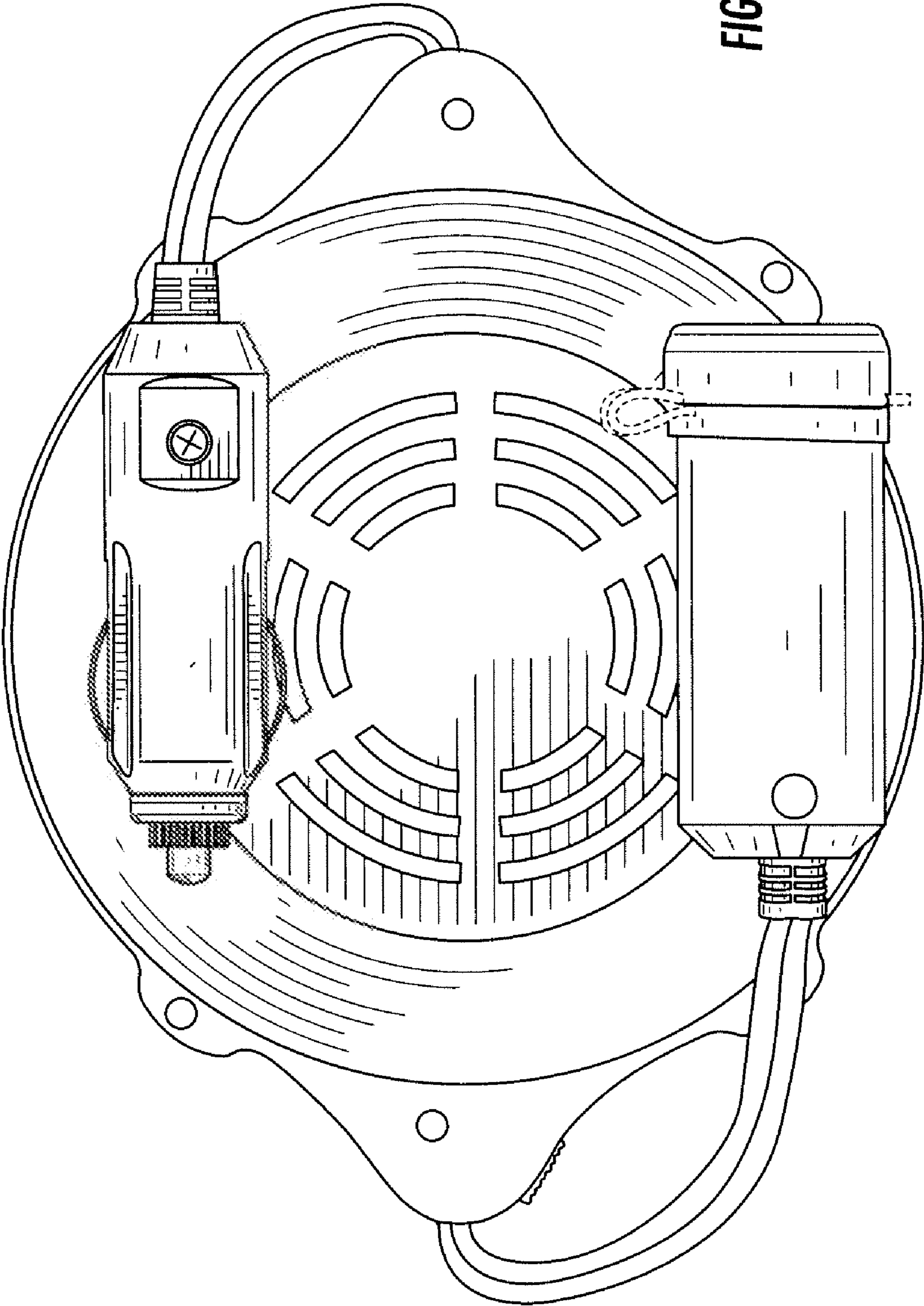


FIG. 5

FIG. 6



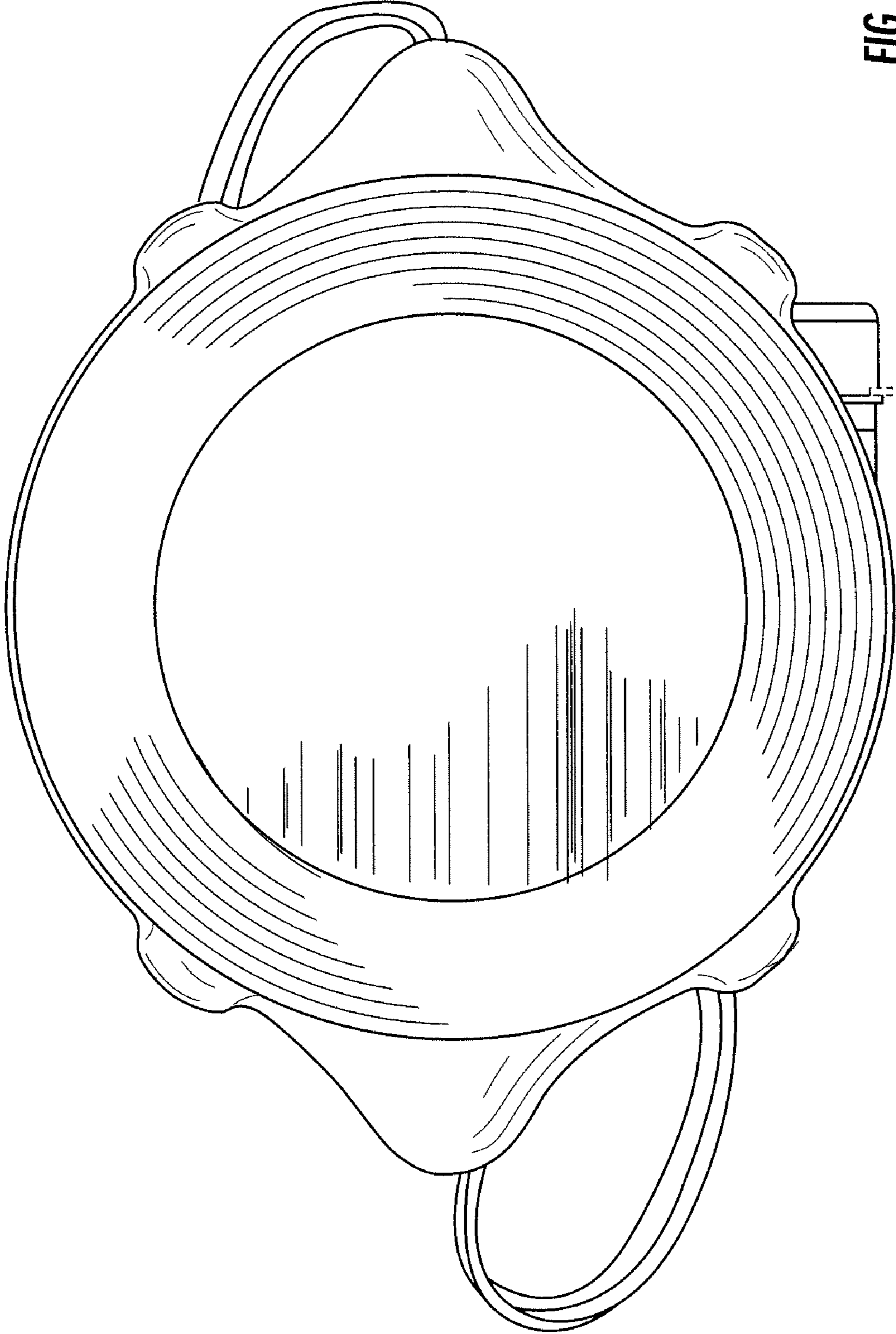


FIG. 7

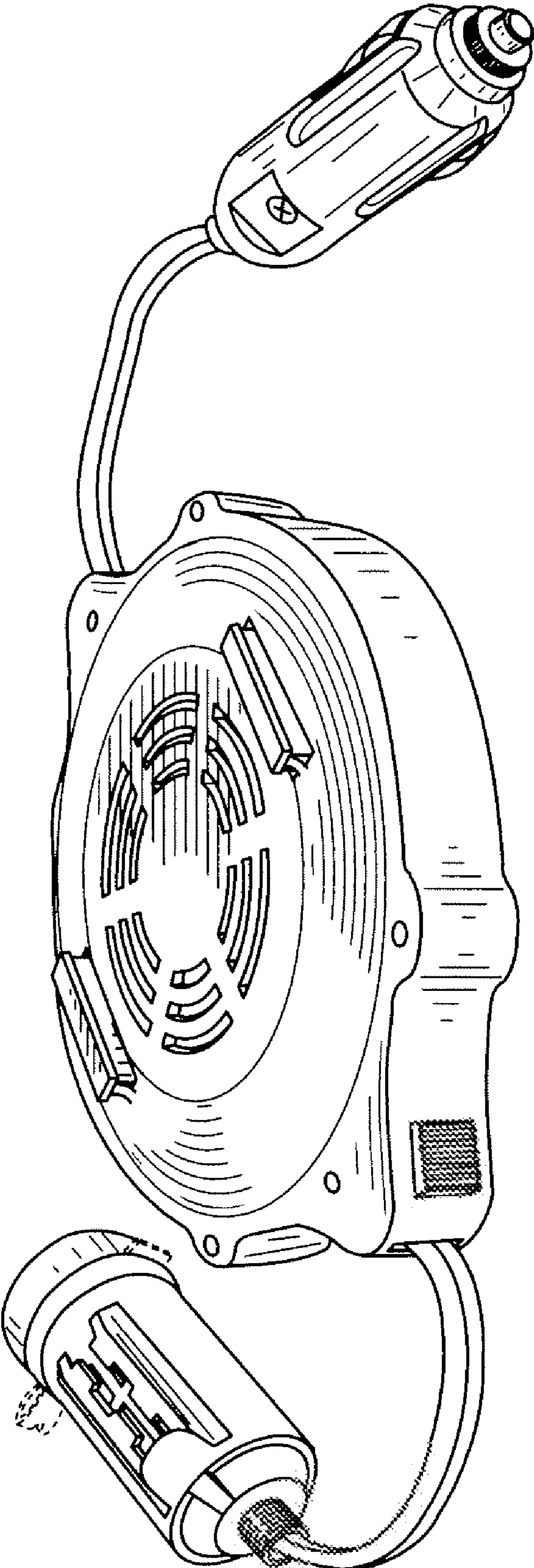


FIG. 8