



US00D580856S

(12) **United States Design Patent**
Haspil et al.

(10) **Patent No.:** **US D580,856 S**
(45) **Date of Patent:** **** Nov. 18, 2008**

(54) **COMMUNICATION TABLET CRADLE AND CHARGER**

D543,246 S * 5/2007 Ashida et al. D21/333

* cited by examiner

(75) Inventors: **John Haspil**, Boerne, TX (US); **Susan S. Steele**, Alpharetta, GA (US); **David Mornhineway**, San Antonio, TX (US); **Jerry O’Leary**, Chicago, IL (US); **Larry B. Pearson**, San Antonio, TX (US); **Tyler Wallis**, San Antonio, TX (US)

Primary Examiner—Jennifer Rivard
Assistant Examiner—Rosemary K Tarcza
(74) *Attorney, Agent, or Firm*—Ed Guntin; Akerman Senterfitt

(73) Assignee: **AT&T Intellectual Property I, L.P.**, Reno, NV (US)

(57) **CLAIM**

What is claimed is the ornamental design for a communication tablet cradle and charger, as shown and described.

(**) Term: **14 Years**

DESCRIPTION

(21) Appl. No.: **29/284,422**

FIG. 1 is a perspective front view of a communication tablet cradle and charger showing an embodiment of a new design; FIG. 2 is a perspective front view of the ornamental design of FIG. 1 engaged with a communication tablet;

(22) Filed: **Sep. 7, 2007**

FIG. 3 is a perspective front view of the ornamental design of FIG. 1 disengaged from the communication tablet;

(51) **LOC (8) Cl.** **13-02**

(52) **U.S. Cl.** **D13/108**

(58) **Field of Classification Search** D13/107–110, D13/118–119, 184; D14/251, 253, 432, D14/434; 320/107–115
See application file for complete search history.

FIG. 4 is a left side elevation view of the ornamental design of FIG. 1;

FIG. 5 is a right side elevation view of the ornamental design of FIG. 1;

(56) **References Cited**

U.S. PATENT DOCUMENTS

D254,980 S *	5/1980	White et al.	D21/395
D308,267 S *	5/1990	Bradd	D32/31
D315,161 S *	3/1991	Watanabe	D14/253
D351,133 S *	10/1994	Jungels-Butler et al. ...	D13/108
D404,357 S *	1/1999	Foster et al.	D13/108
D428,387 S *	7/2000	Malloy et al.	D13/107
D434,372 S *	11/2000	Buchin et al.	D13/108
D445,975 S *	7/2001	Stratford	D32/31
D515,029 S *	2/2006	Hattori	D13/108
D520,944 S *	5/2006	Morita	D13/108
D532,005 S *	11/2006	Leith	D14/253

FIG. 6 is a front elevation view of the ornamental design of FIG. 1;

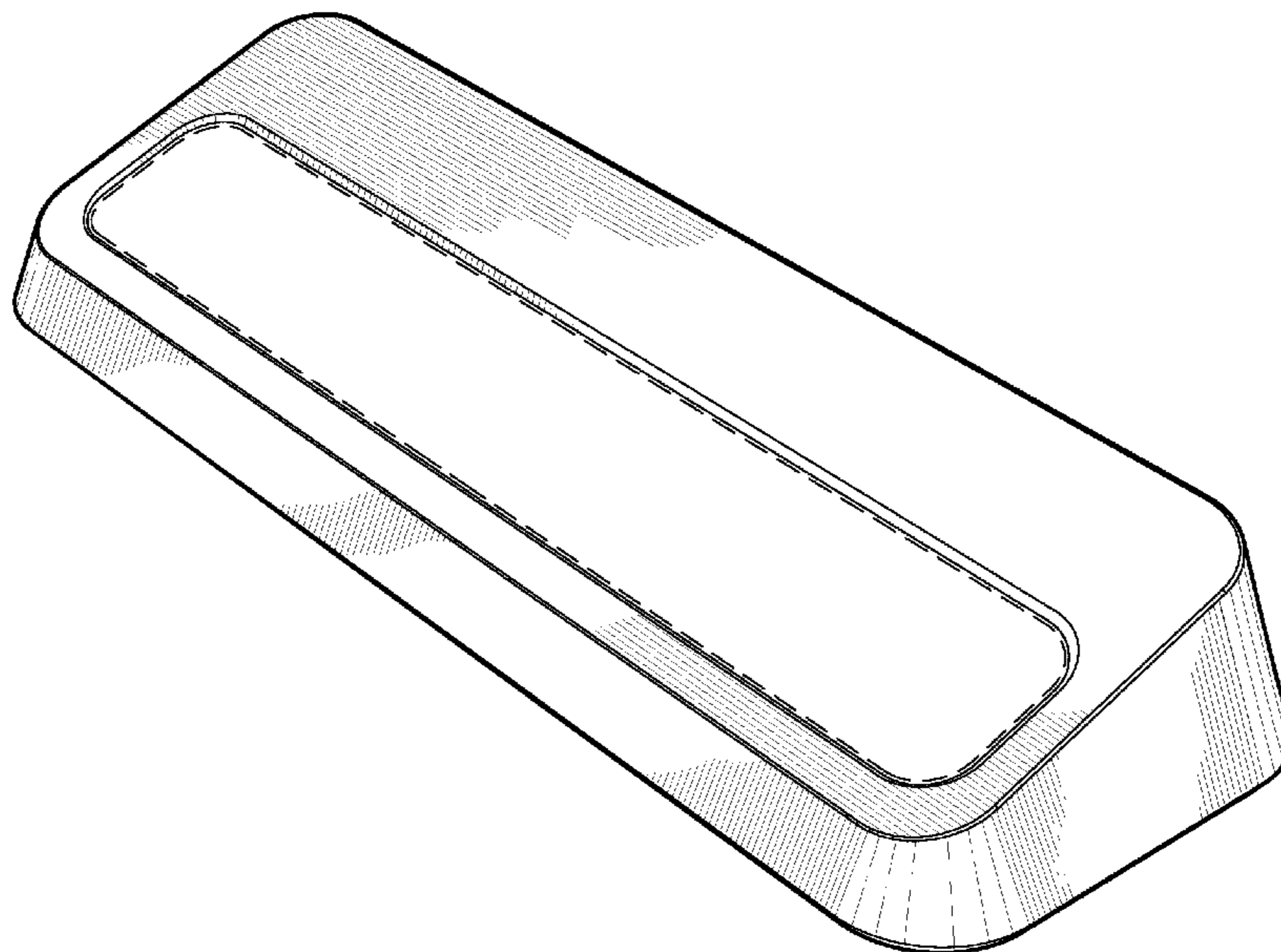
FIG. 7 is a rear elevation view of the ornamental design of FIG. 1;

FIG. 8 is a top plan view of the ornamental design of FIG. 1; and,

FIG. 9 is a bottom plan view of the ornamental design of FIG. 1.

The portions shown in broken lines are for illustrative purposes only and form no part of the claimed design.

1 Claim, 6 Drawing Sheets



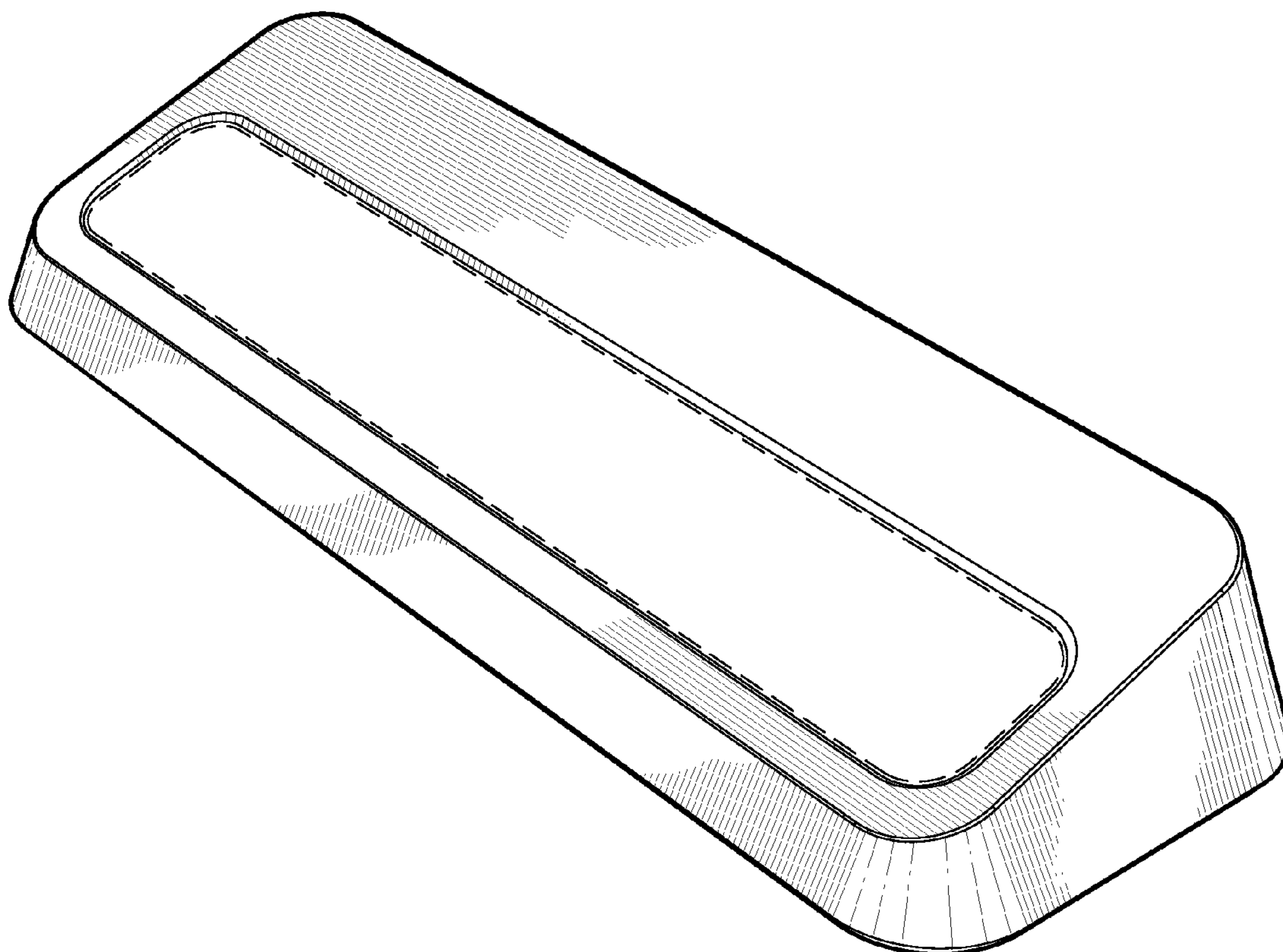


FIG. 1

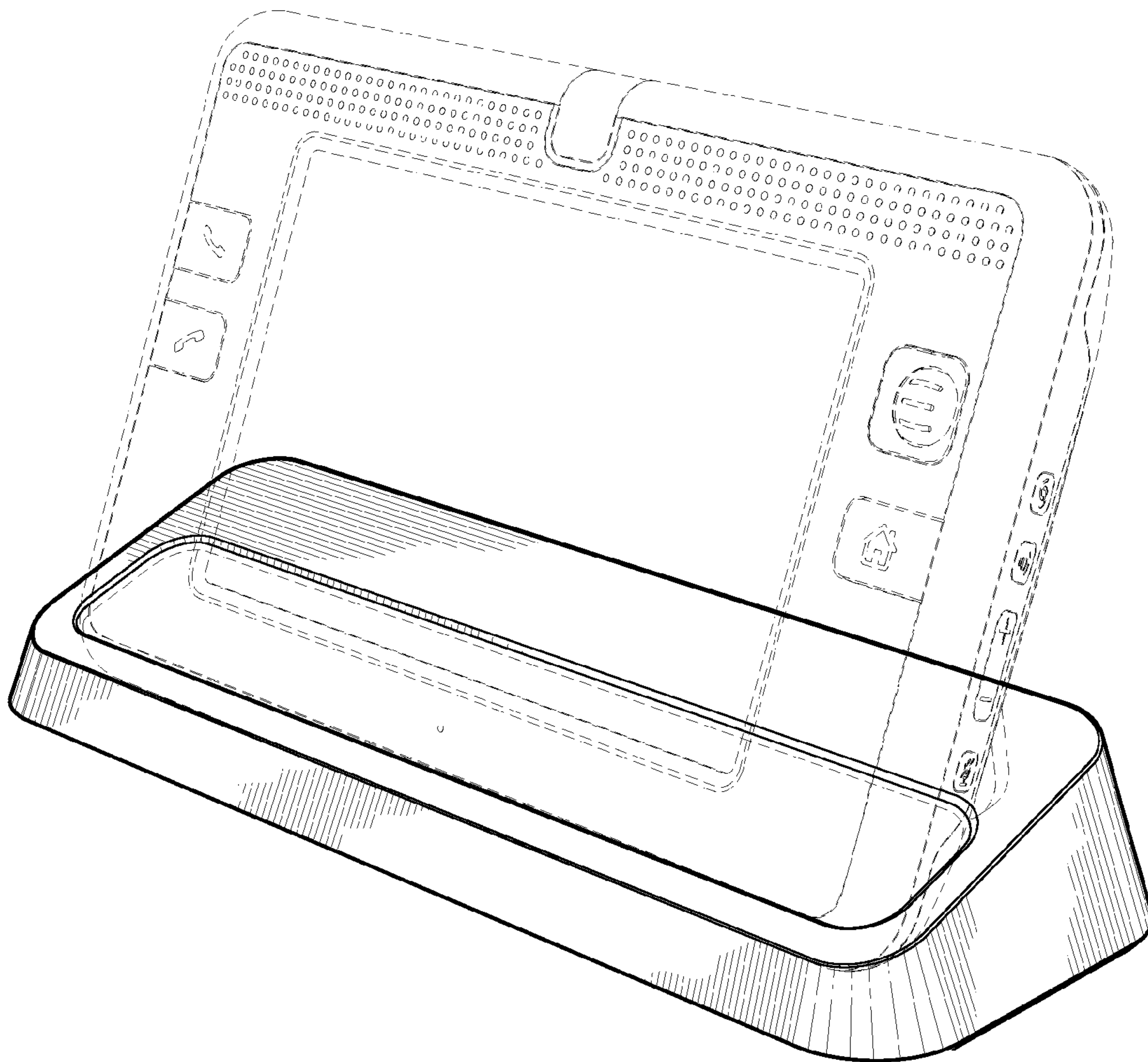


FIG.2

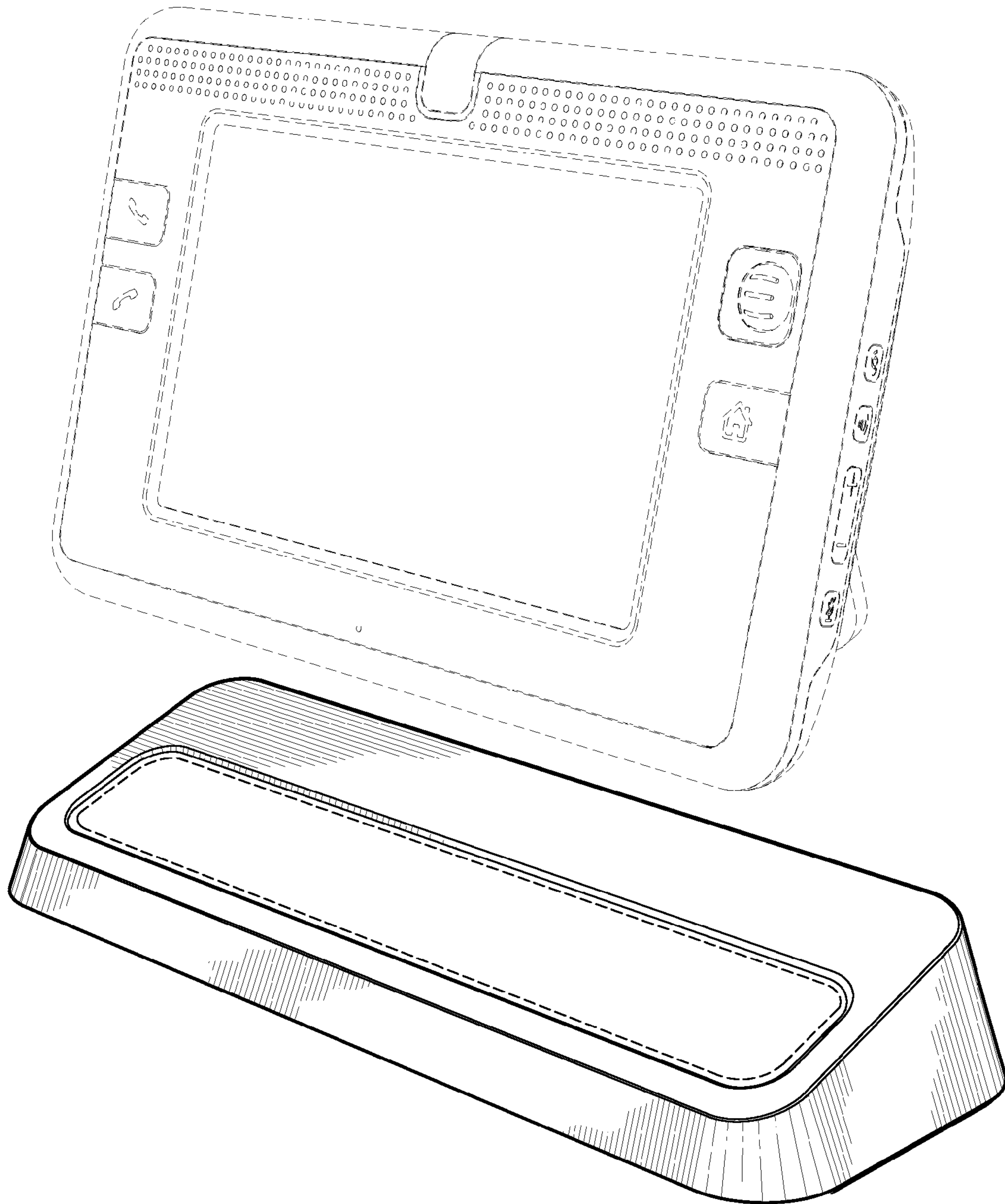


FIG. 3

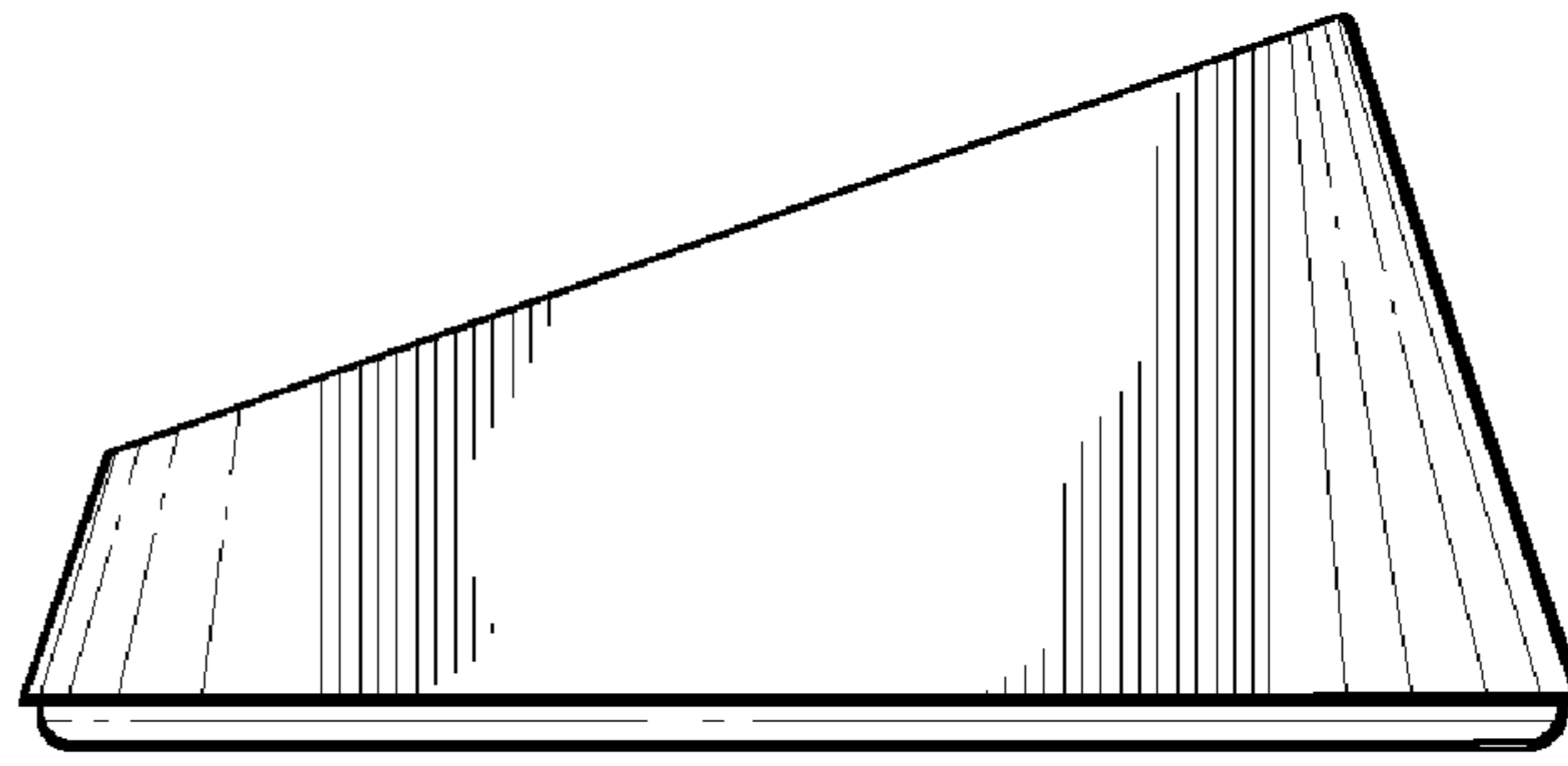


FIG. 4

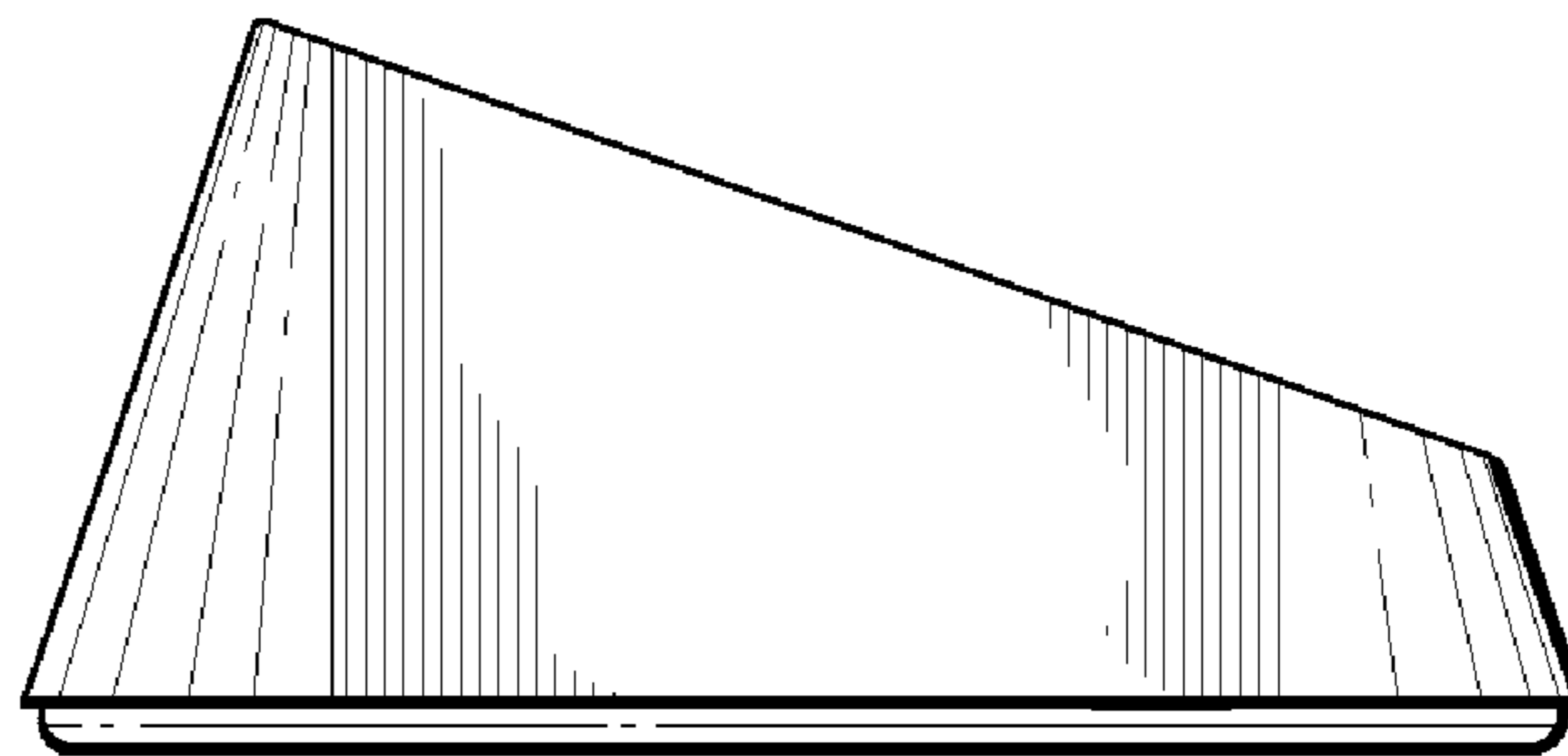


FIG. 5

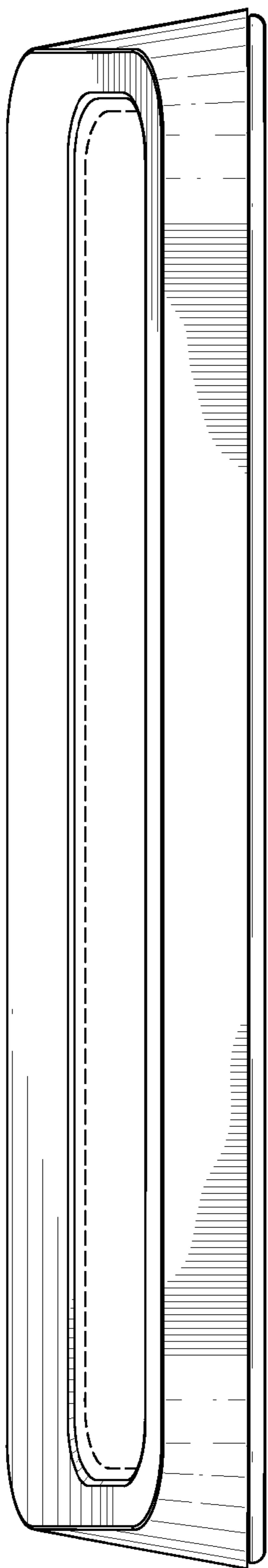


FIG. 6

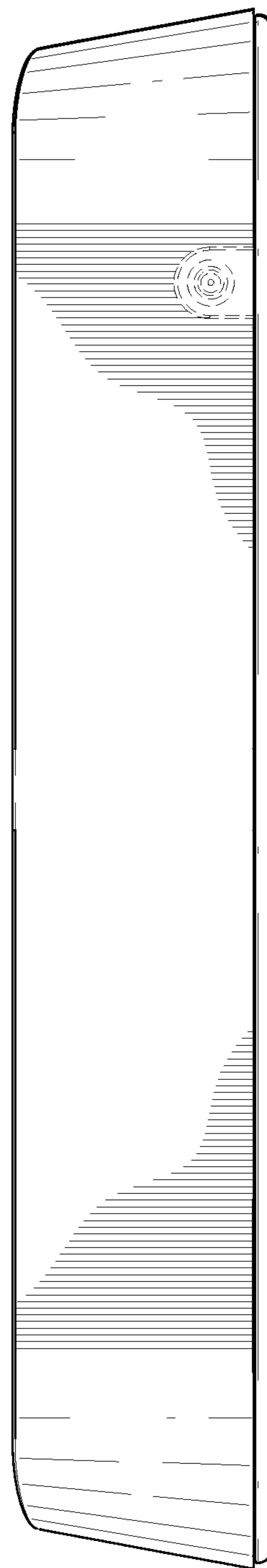


FIG. 7

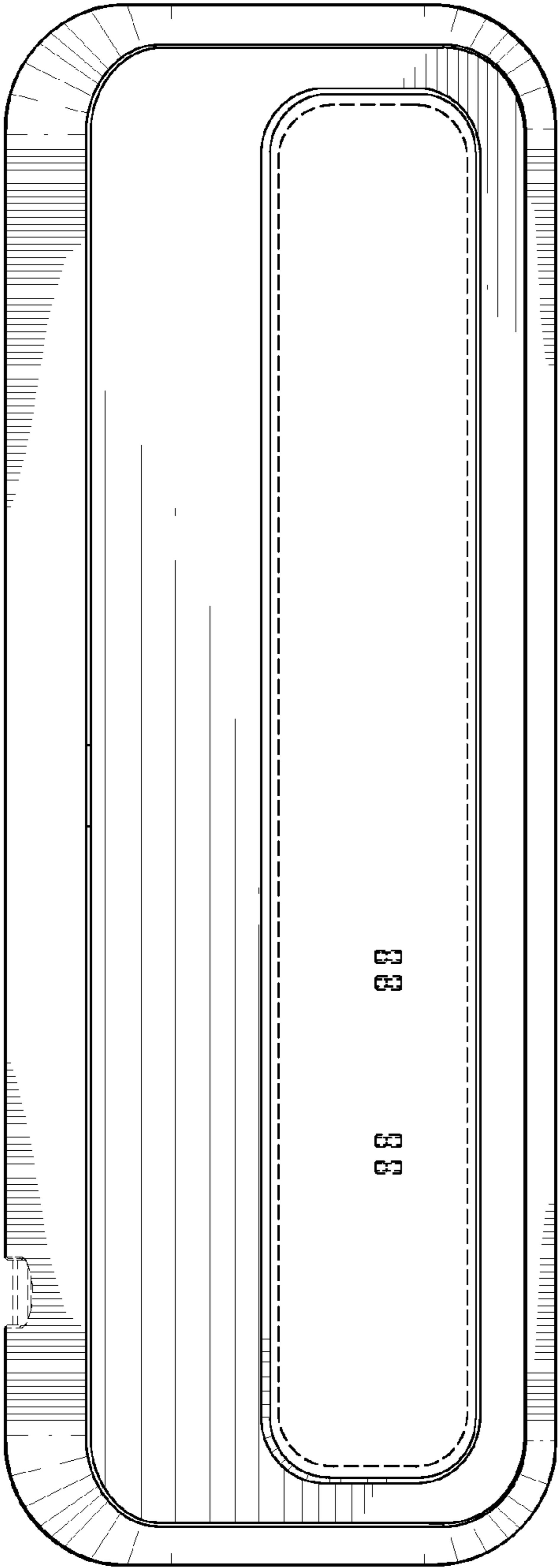


FIG. 8

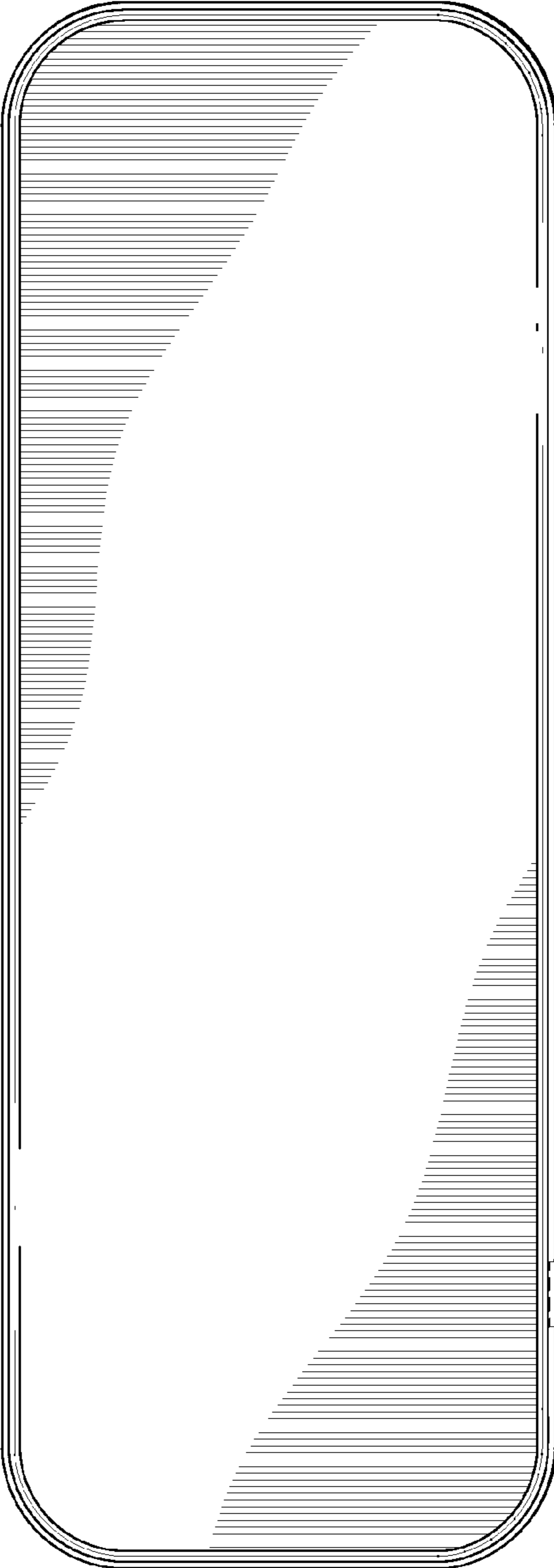


FIG. 9