

US00D580854S

(12) **United States Design Patent**
Kim et al.

(10) **Patent No.:** **US D580,854 S**
(45) **Date of Patent:** **** Nov. 18, 2008**

(54) **CASE FOR CHARGER OF MOBILE PHONE**

(75) Inventors: **Kuk Hwan Kim**, Seoul (KR); **Beom Ku Han**, Seoul (KR); **Chang Hwan Hwang**, Seoul (KR)

(73) Assignee: **Samsung Electronics Co., Ltd.**, Suwon (KR)

(**) Term: **14 Years**

(21) Appl. No.: **29/271,781**

(22) Filed: **Jan. 26, 2007**

(51) **LOC (8) Cl.** **13-02**

(52) **U.S. Cl.** **D13/108; D3/302**

(58) **Field of Classification Search** D3/201, D3/203.1–203.2, 203.5, 205–206, 273, 302, D3/902, 904; D19/75, 80–82, 85, 90; D6/407, D6/632; D27/183, 185–186, 189; D28/73–77; 206/101, 265, 269, 315.11, 811, 823; 224/930; D13/107–110; 320/107–115

See application file for complete search history.

(56) **References Cited**

U.S. PATENT DOCUMENTS

1,273,264	A *	7/1918	Moran	206/101
2,081,930	A *	6/1937	Hoffman	220/797
D148,402	S *	1/1948	Abbatiello	D27/189
D154,255	S *	6/1949	England	D4/108
D180,338	S *	5/1957	Rushlow	D9/431
D218,793	S *	9/1970	Rushlow	D27/189
D245,818	S *	9/1977	Persson	D3/230
D246,998	S *	1/1978	Hill	D28/7
D258,097	S *	2/1981	Wistrand	D3/203.1
D258,868	S *	4/1981	Soderberg	D9/529
4,387,805	A *	6/1983	Lanius	206/230
D279,507	S *	7/1985	Schechter et al.	D27/189
D306,519	S *	3/1990	Nakata	D3/206

D329,140	S *	9/1992	Maricle	D3/225
D340,575	S *	10/1993	Suwa	D6/632
5,375,708	A *	12/1994	Wittman	206/315.1
D402,105	S *	12/1998	Erickson	D3/215
D426,950	S *	6/2000	Conway	D3/203.5
D446,825	S *	8/2001	Gabrielsen	D21/385
D548,178	S *	8/2007	Suk et al.	D13/108
D552,539	S *	10/2007	Choi et al.	D13/108
D553,077	S *	10/2007	Kim et al.	D13/108
D563,868	S *	3/2008	Christopher et al.	D13/108

* cited by examiner

Primary Examiner—Philip Hyder

Assistant Examiner—Roselynn Cody

(74) *Attorney, Agent, or Firm*—Ladas & Parry LLP

(57) **CLAIM**

We claim the ornamental design for a case for a charger of mobile phone, as shown.

DESCRIPTION

FIG. 1 is a front/left-side/top perspective view of a charger for mobile phone showing our new design;

FIG. 2 is a front elevational view thereof;

FIG. 3 is a rear elevational view thereof;

FIG. 4 is a left-side elevational view thereof;

FIG. 5 is a right-side elevational view thereof;

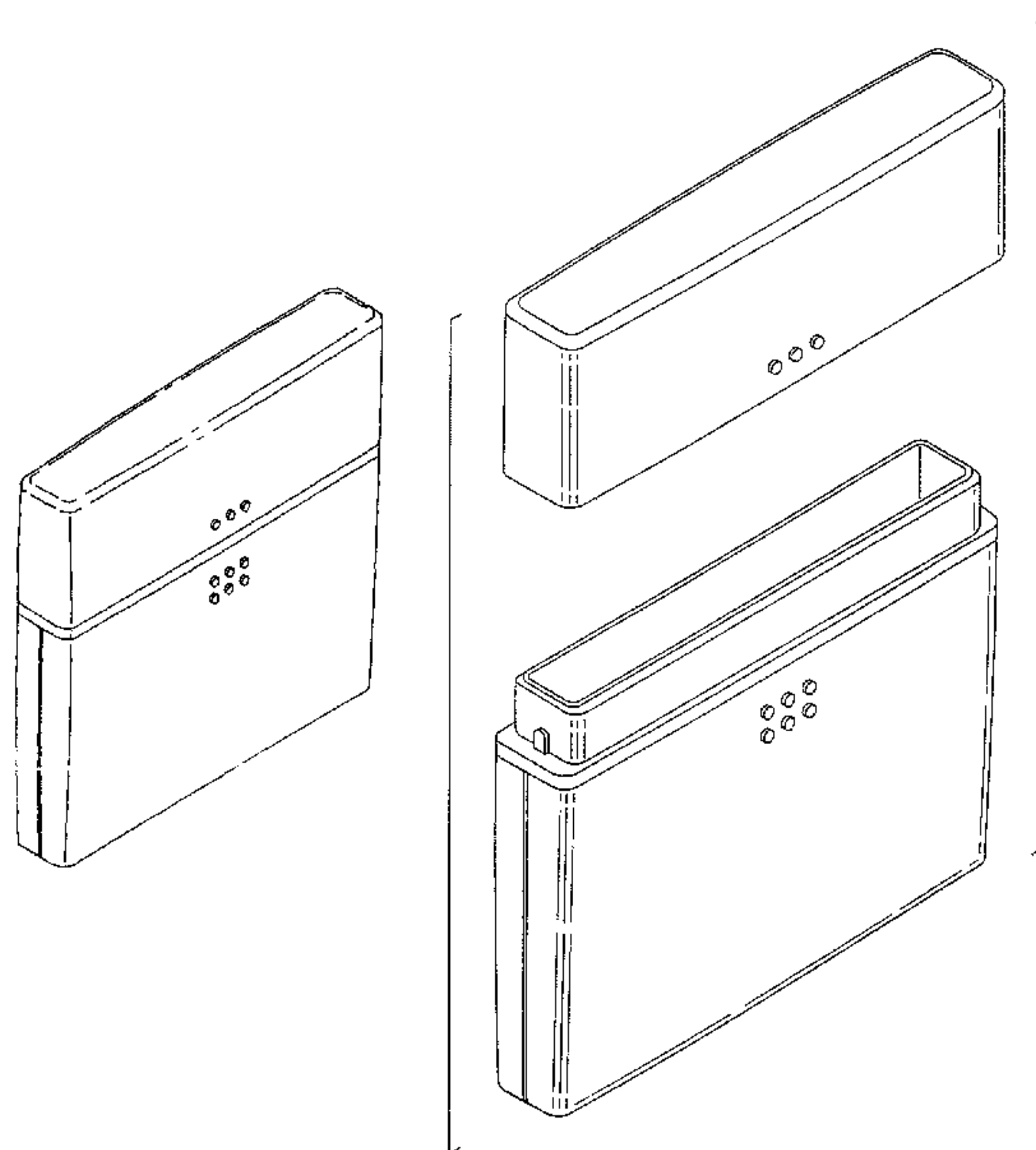
FIG. 6 is a top plan view thereof;

FIG. 7 is a bottom plan view thereof; and,

FIG. 8 is a front/left-side/top perspective view thereof showing the aspect when lid is open.

The broken line in FIG. 7 that illustrates a portion of a charging receptacle is directed to environment and forms no part of the claimed design.

1 Claim, 3 Drawing Sheets



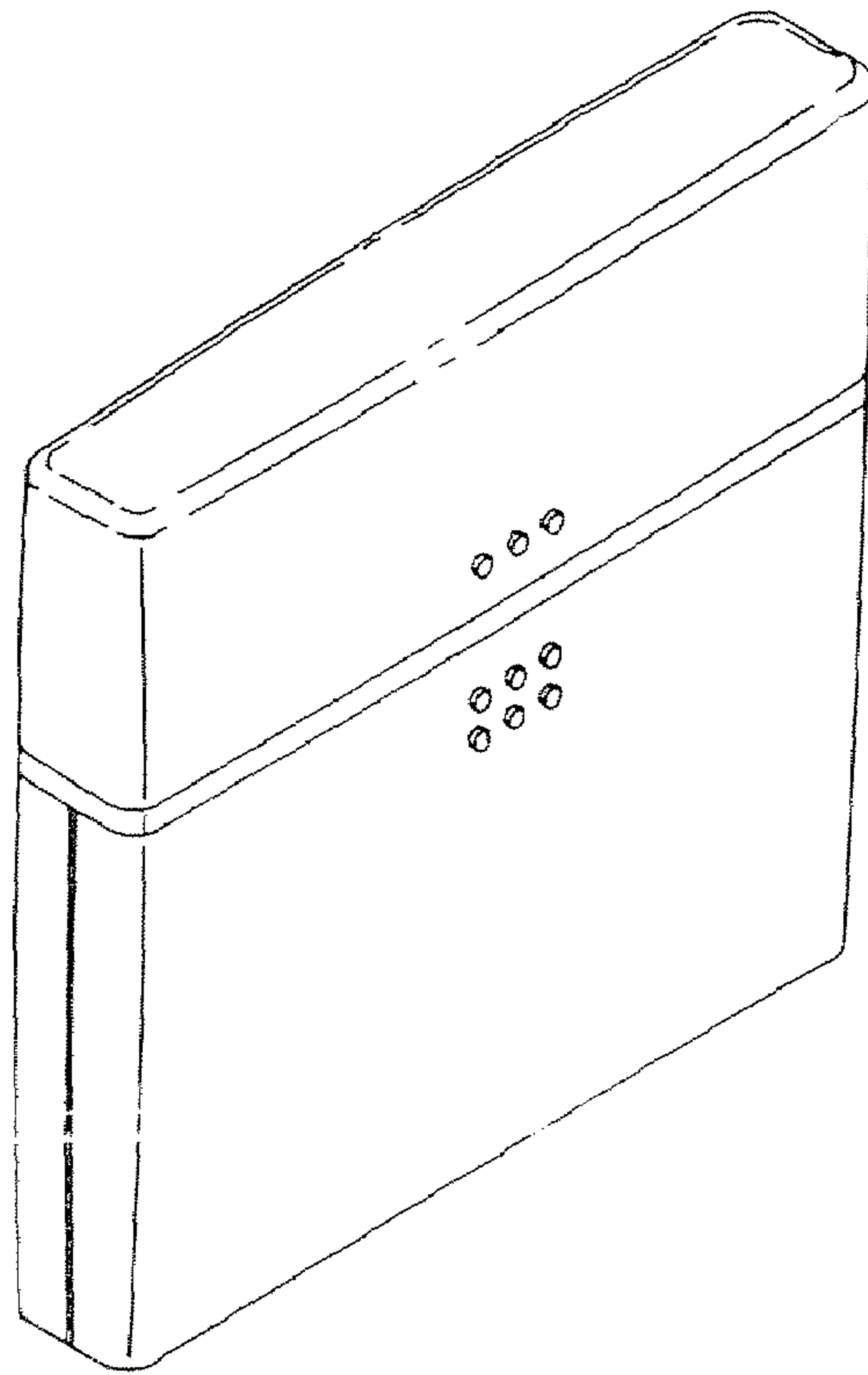


FIG. 1

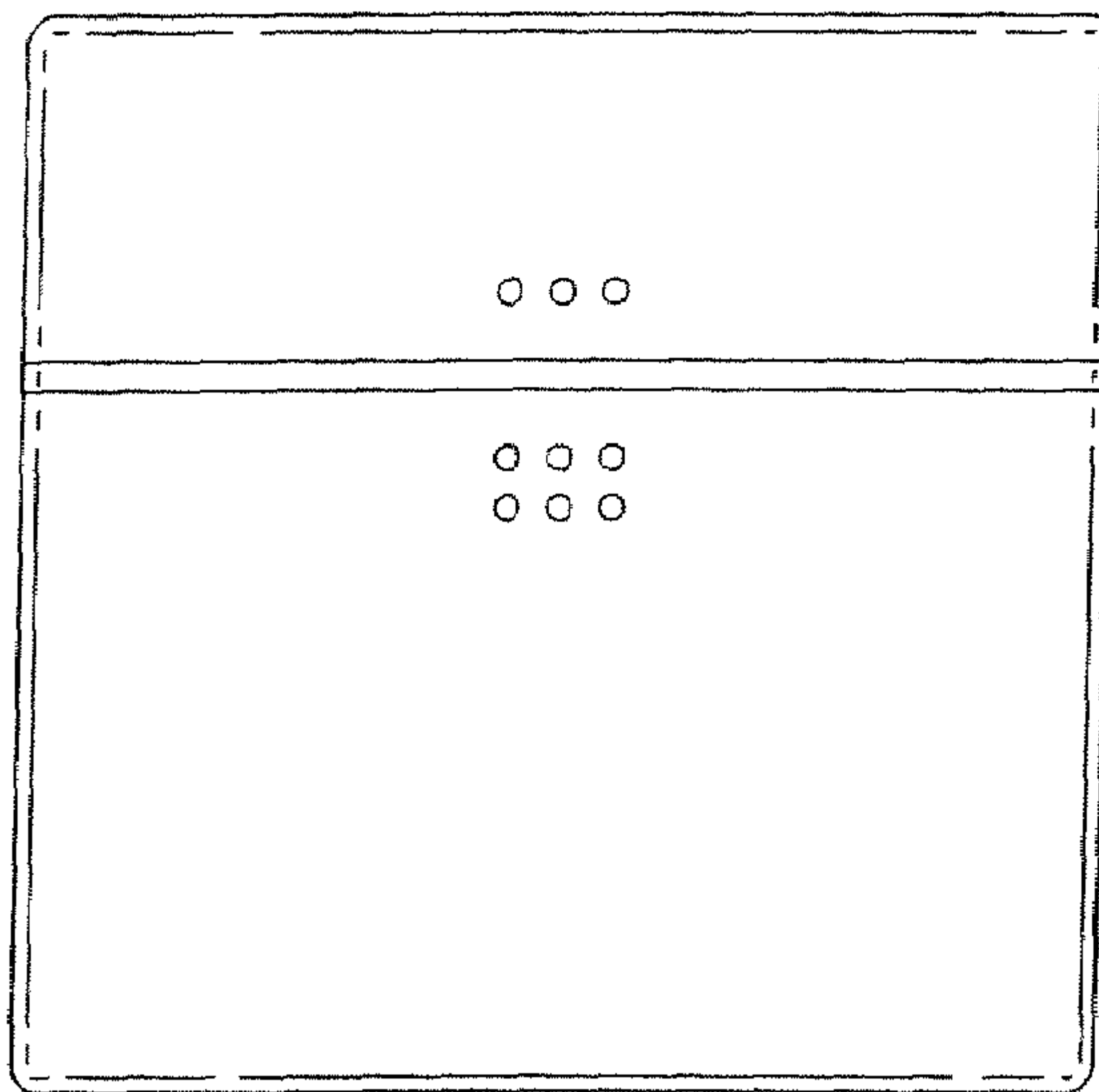


FIG. 2

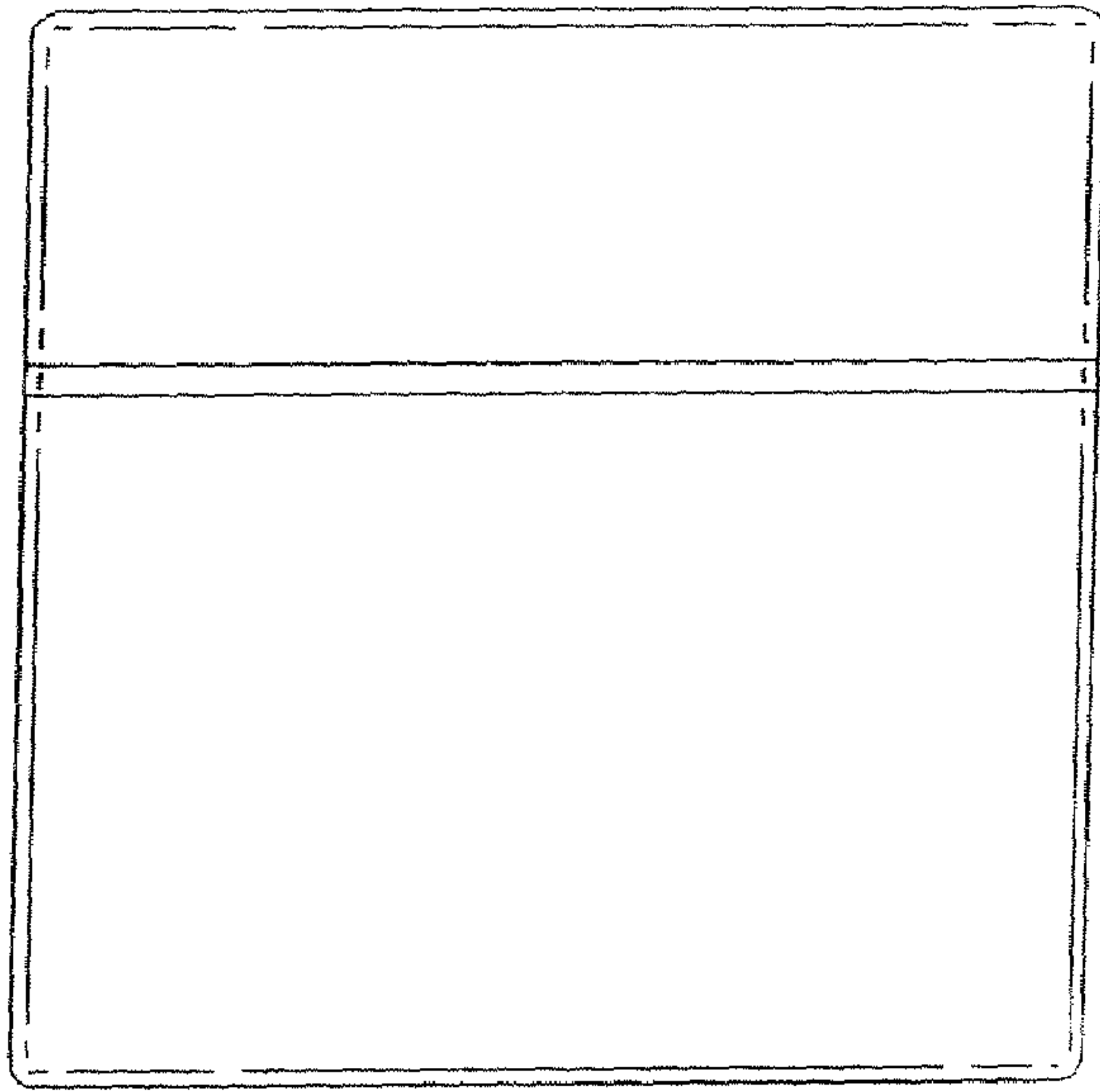


FIG. 3

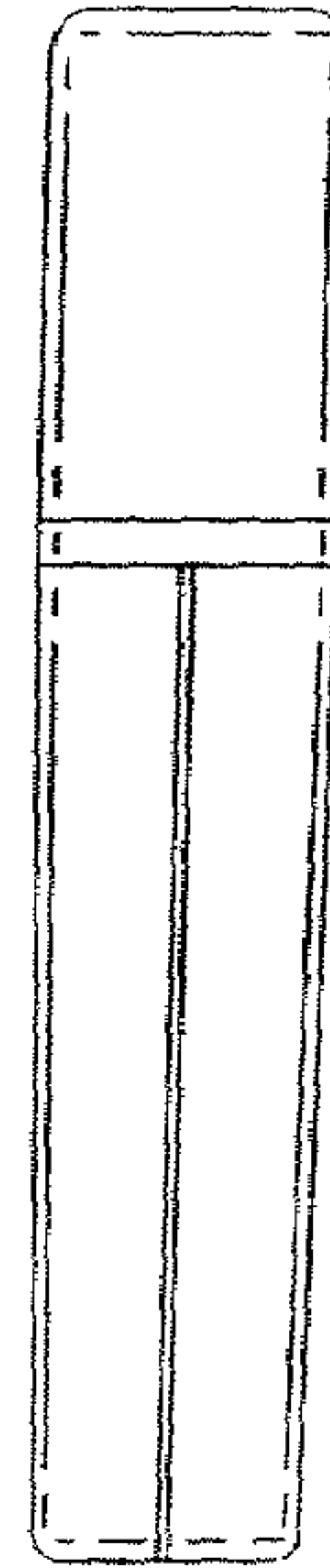


FIG. 4

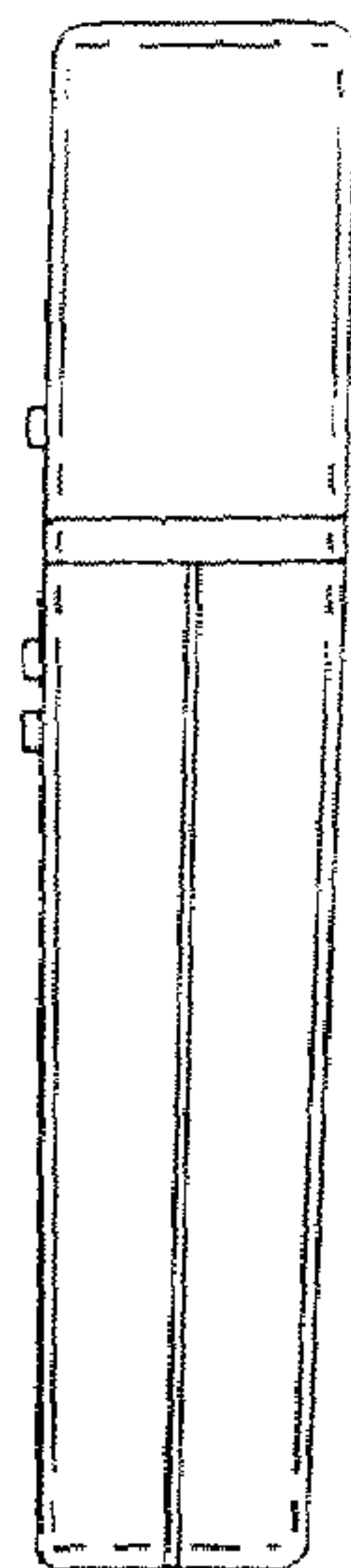


FIG. 5



FIG. 6

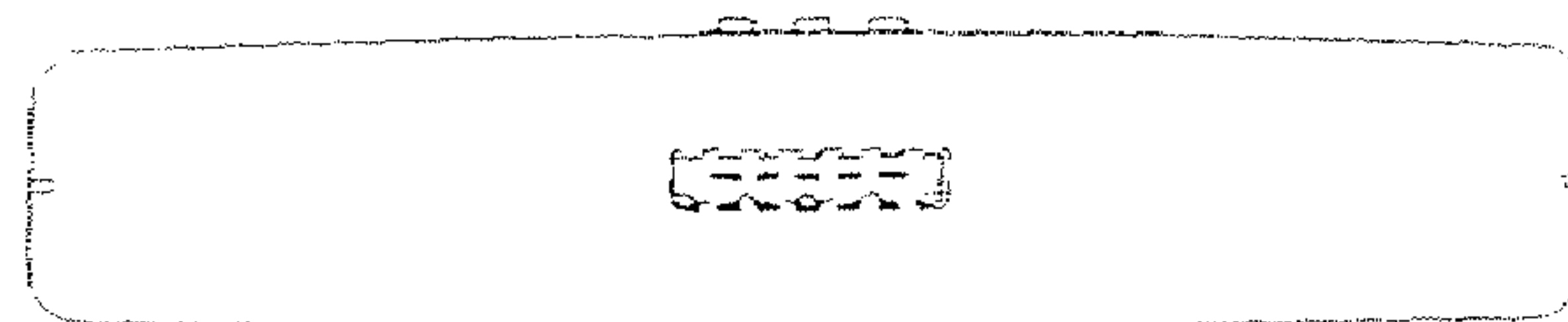


FIG. 7

FIG. 8

