



US00D580852S

(12) **United States Design Patent**
Heinzen et al.

(10) **Patent No.:** **US D580,852 S**

(45) **Date of Patent:** **** Nov. 18, 2008**

(54) **BATTERY FOR A COMBUSTION TOOL**

(75) Inventors: **William J. Heinzen**, Glenview, IL (US);
Robert L. Turk, Waukegan, IL (US);
Robert Meyer, Palatine, IL (US)

(73) Assignee: **Illinois Tool Works Inc.**, Glenview, IL (US)

(**) Term: **14 Years**

(21) Appl. No.: **29/298,652**

(22) Filed: **Dec. 10, 2007**

(51) **LOC (8) Cl.** **13-02**

(52) **U.S. Cl.** **D13/103**

(58) **Field of Classification Search** D13/102–106,
D13/110, 118–119, 184; 429/96–100, 163,
429/176

See application file for complete search history.

(56) **References Cited**

U.S. PATENT DOCUMENTS

D264,347 S *	5/1982	Peroni	D18/11
D303,524 S *	9/1989	Siegner et al.	D14/438
D356,776 S *	3/1995	Yoshii	D13/103
D362,424 S *	9/1995	Sumita et al.	D13/103
D368,429 S *	4/1996	Serio, Jr.	D9/431
D374,673 S *	10/1996	Beaumont et al.	D14/240
D380,475 S *	7/1997	Rasmussen	D14/240
D403,656 S *	1/1999	Ichikawa	D13/103
D417,188 S *	11/1999	Maeyama	D13/103

D434,723 S *	12/2000	Fushimi	D13/110
D496,906 S *	10/2004	Vinciarelli et al.	D13/110
D506,065 S *	6/2005	Sugino et al.	D3/294
D522,451 S *	6/2006	Hayes et al.	D13/103

* cited by examiner

Primary Examiner—Jennifer Rivard

Assistant Examiner—Rosemary K Tarcza

(74) *Attorney, Agent, or Firm*—Greer, Burns & Crain, Ltd.;
Lisa M. Soltis; Mark W. Croll

(57) **CLAIM**

The ornamental design for a battery for a combustion tool, as shown and described.

DESCRIPTION

FIG. 1 is a top perspective view of the battery of the present invention;

FIG. 2 is a front view of a battery of FIG. 1;

FIG. 3 is a right side view of the battery of FIG. 1;

FIG. 4 is a left side view of the same;

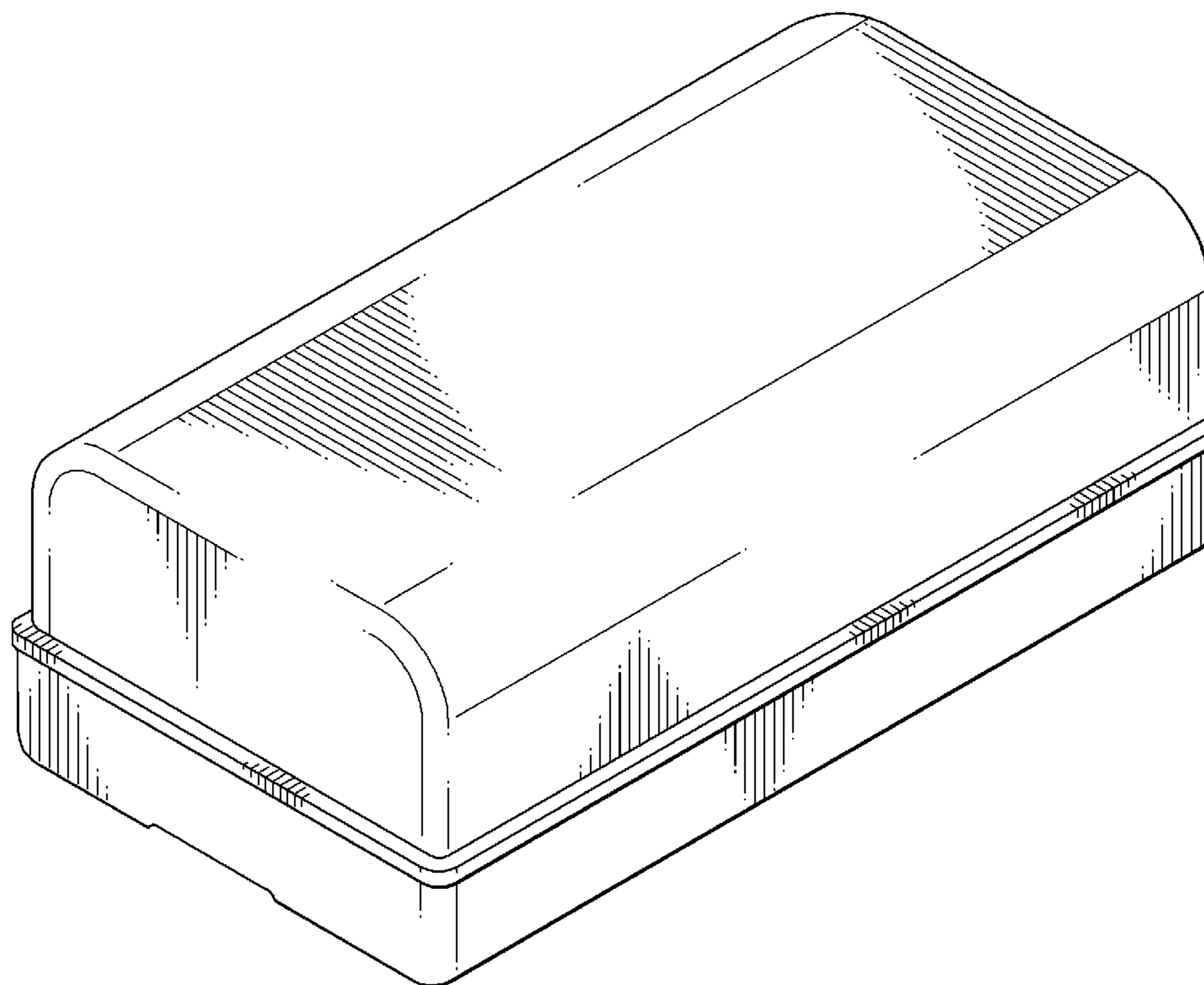
FIG. 5 is a rear view of the battery of FIG. 1;

FIG. 6 is top view of the same; and,

FIG. 7 is a bottom view of the battery of FIG. 1.

The structure depicted in broken lines is provided for environment purposes only and does not constitute part of the claimed invention.

1 Claim, 7 Drawing Sheets



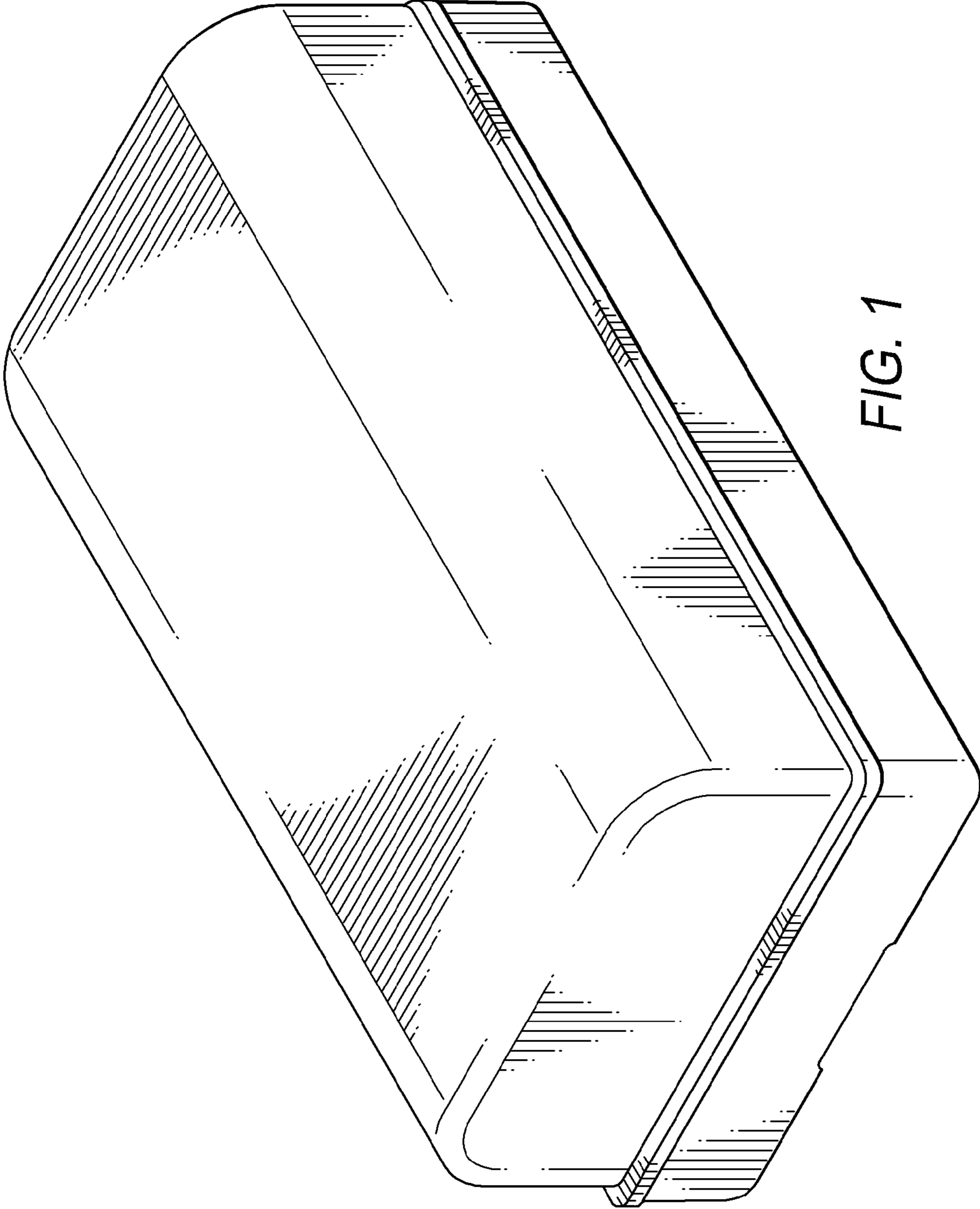


FIG. 1

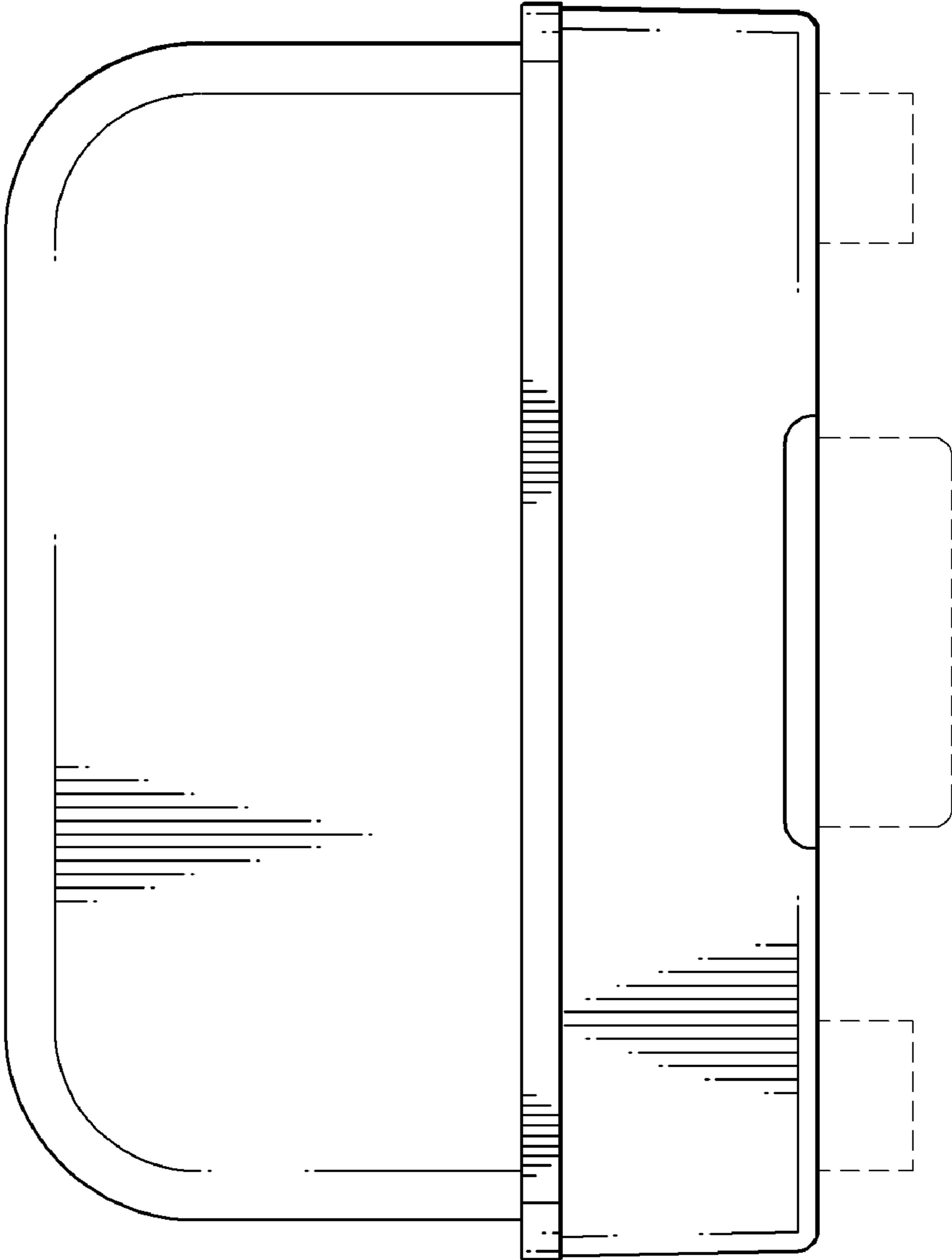


FIG. 2

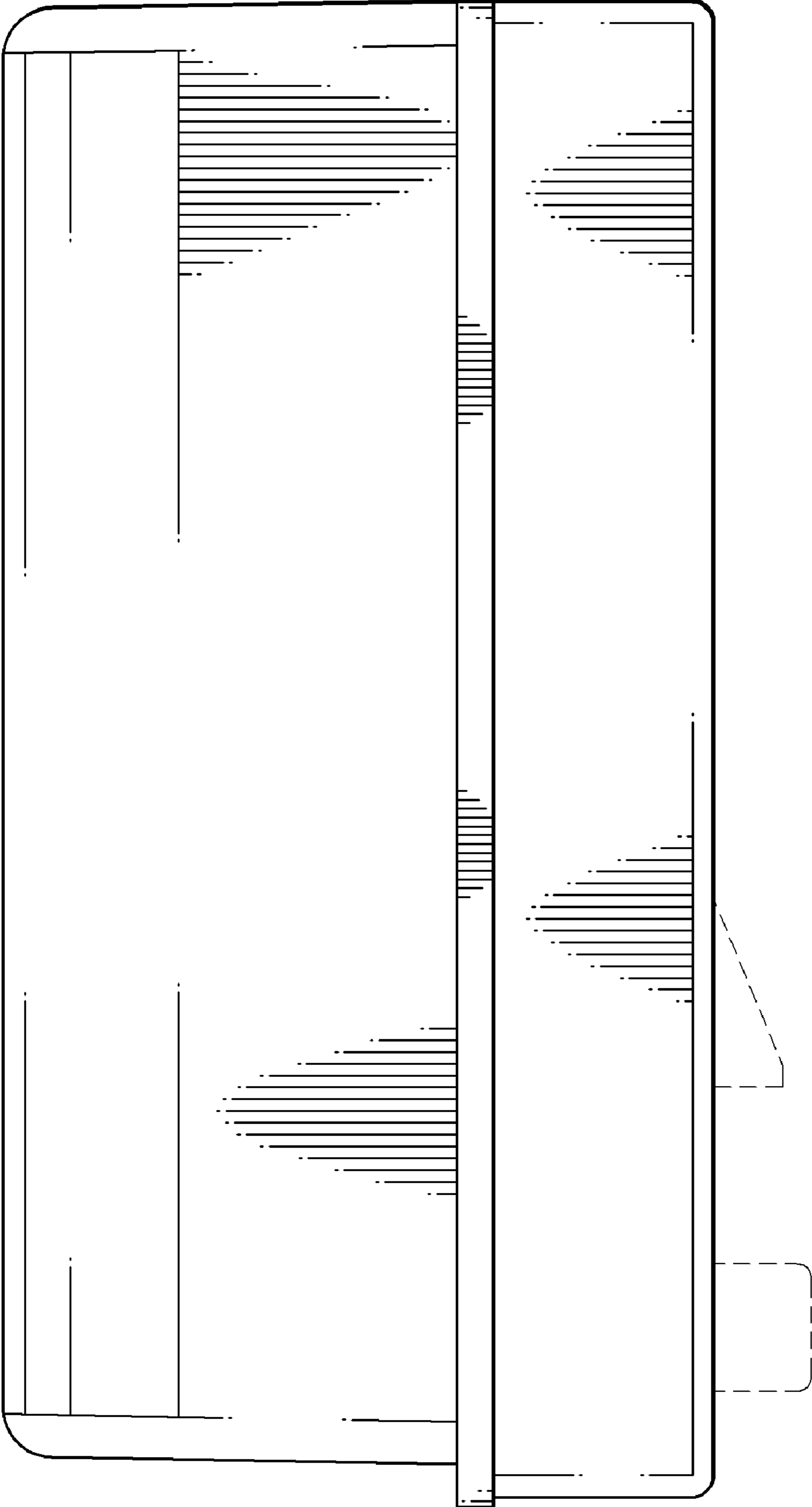


FIG. 3



FIG. 4

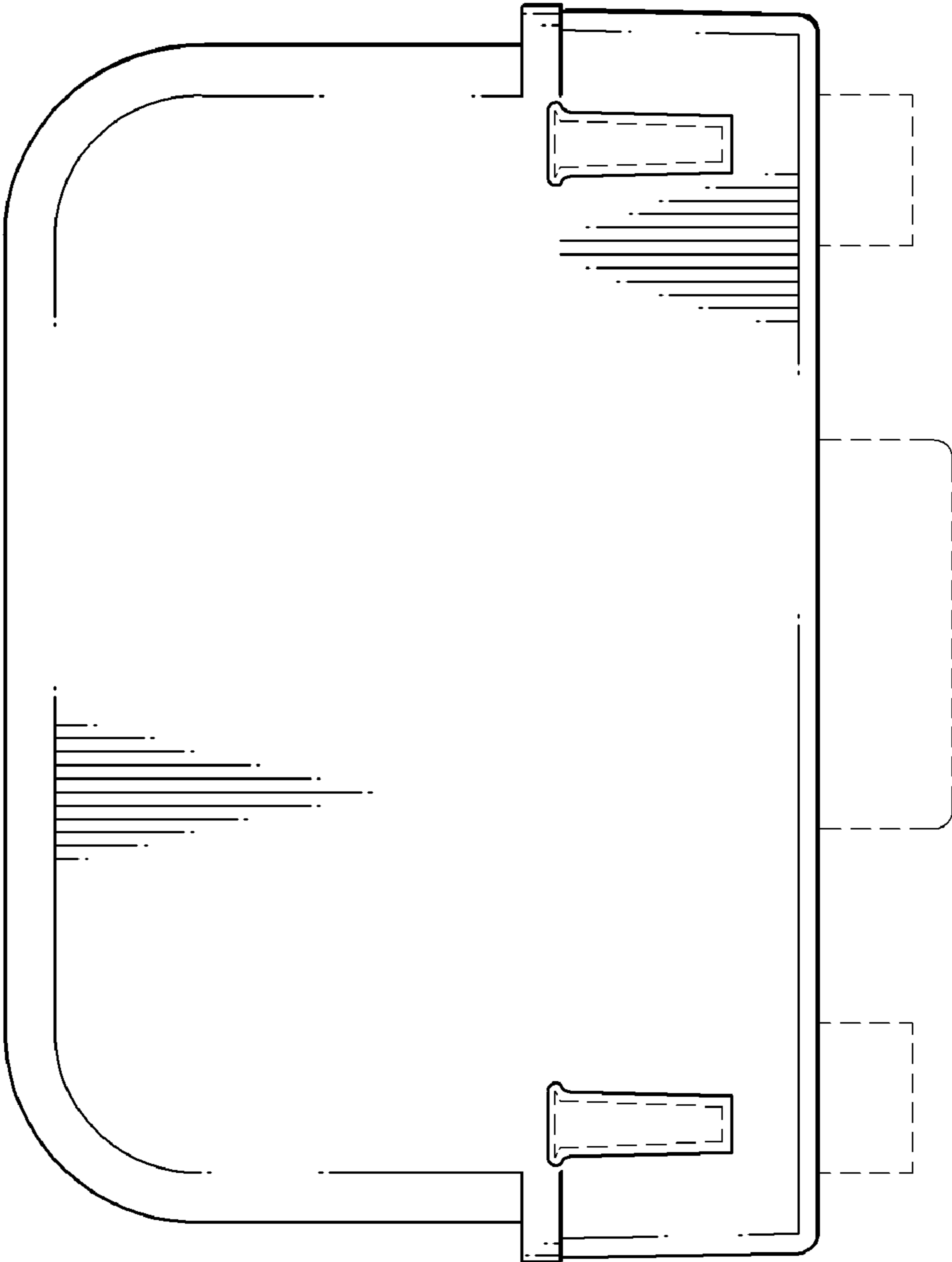


FIG. 5

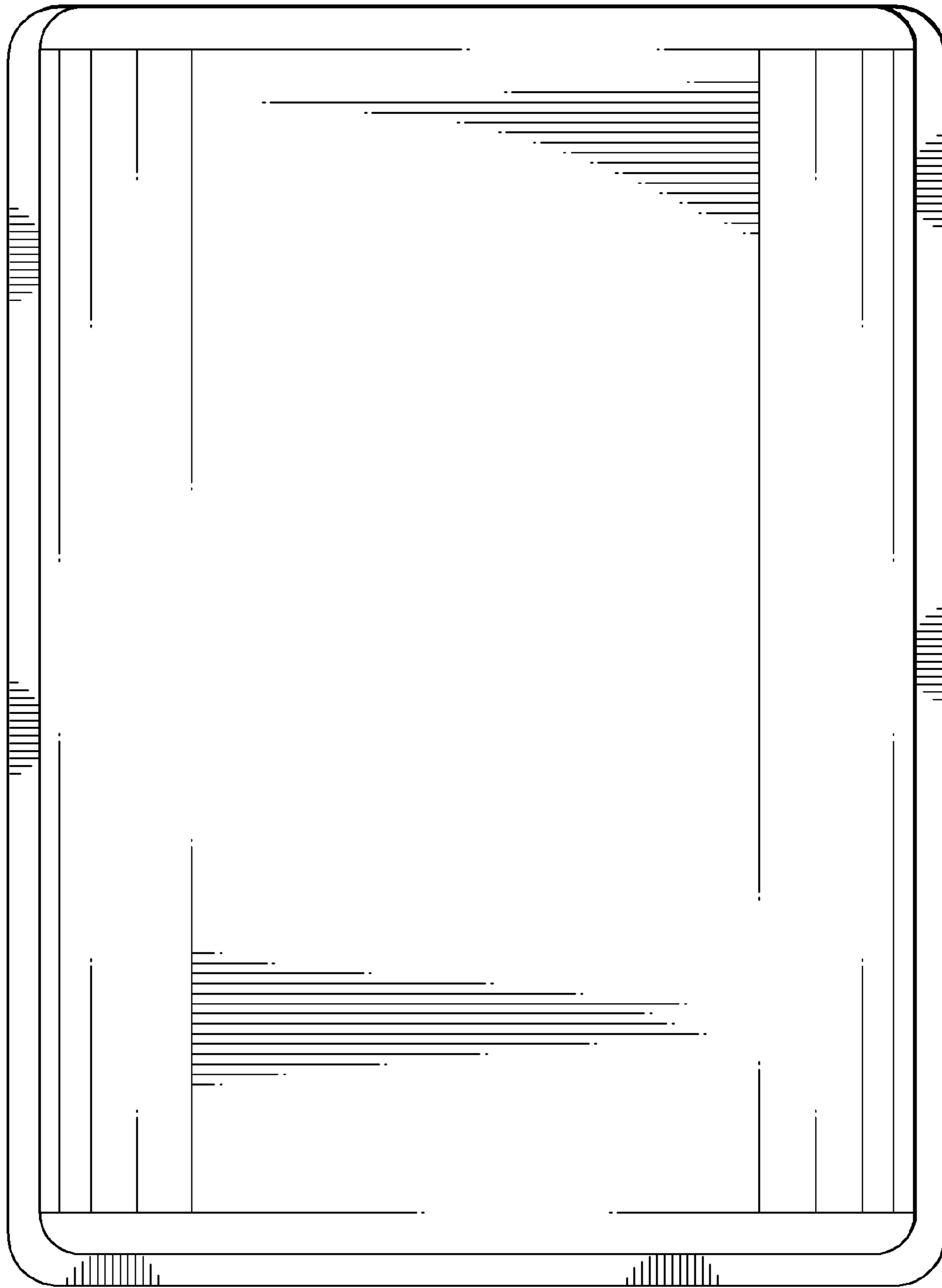


FIG. 6

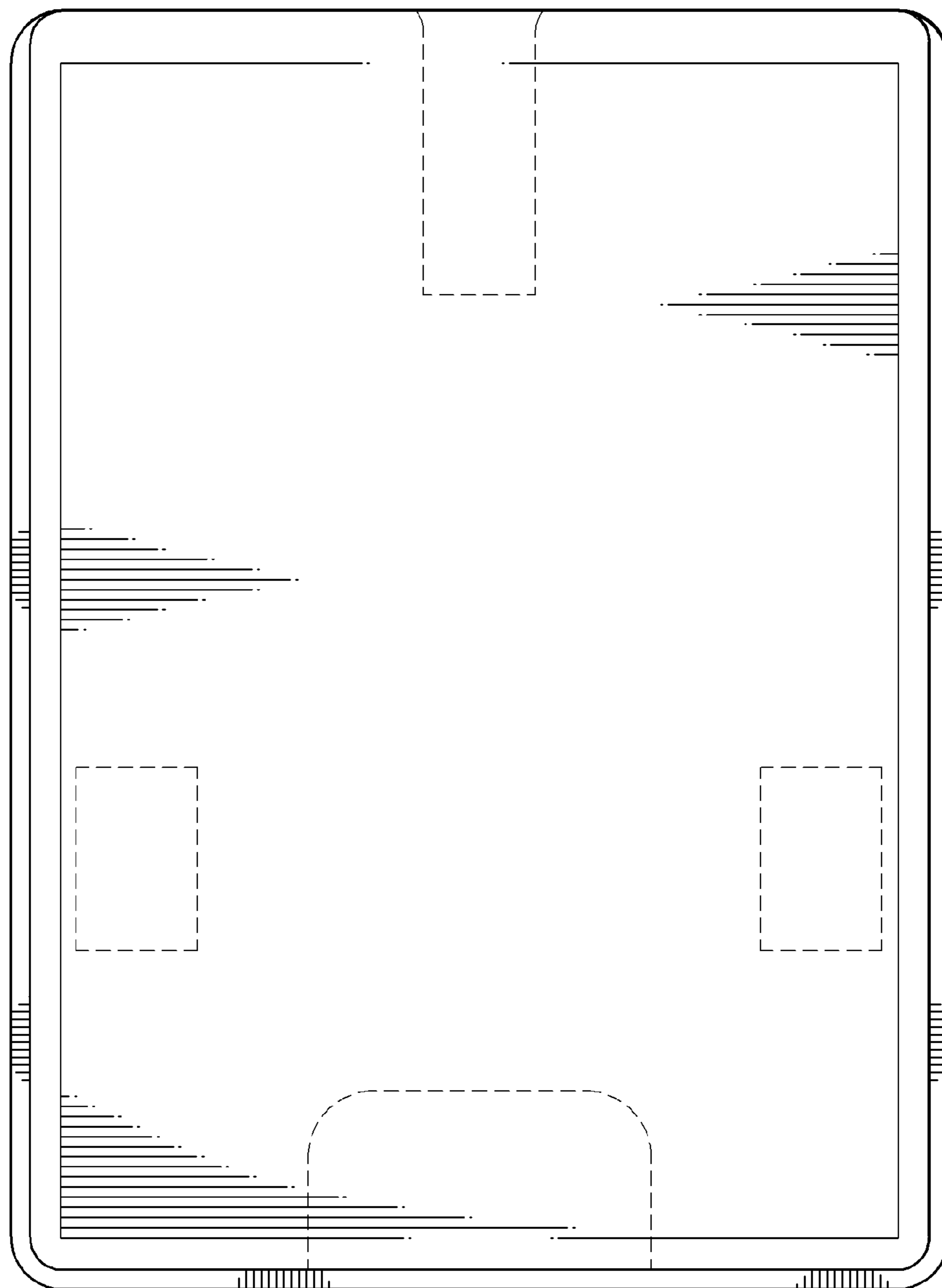


FIG. 7