



US00D580850S

(12) **United States Design Patent**
Iseki

(10) **Patent No.:** **US D580,850 S**

(45) **Date of Patent:** **** Nov. 18, 2008**

(54) **RECHARGEABLE BATTERY**

(75) Inventor: **Daisuke Iseki**, Tokyo (JP)

(73) Assignee: **Sony Corporation**, Tokyo (JP)

(**) Term: **14 Years**

(21) Appl. No.: **29/287,875**

(22) Filed: **Sep. 28, 2007**

(30) **Foreign Application Priority Data**

Apr. 24, 2007 (JP) 2007-011015

(51) **LOC (8) Cl.** **13-02**

(52) **U.S. Cl.** **D13/103**

(58) **Field of Classification Search** D13/102-106,
D13/110, 118-119, 184; 429/96-100, 163,
429/176

See application file for complete search history.

(56) **References Cited**

U.S. PATENT DOCUMENTS

D415,466 S *	10/1999	Kawa	D13/103
D431,227 S *	9/2000	Ogasawara	D13/103
D431,808 S *	10/2000	Ogasawara	D13/103
D448,003 S *	9/2001	Ogasawara	D13/103
D457,857 S *	5/2002	Ogasawara	D13/103
D476,949 S *	7/2003	Wada	D13/103

D515,025 S *	2/2006	Yokota	D13/103
D520,942 S *	5/2006	Yokota	D13/103
D521,448 S *	5/2006	Yokota	D13/103
D531,574 S *	11/2006	Yamada	D13/103
D535,249 S *	1/2007	Ogasawara	D13/103
D539,730 S *	4/2007	Kawase	D13/103
D554,579 S *	11/2007	Ogasawara	D13/103

* cited by examiner

Primary Examiner—Jennifer Rivard

Assistant Examiner—Rosemary K Tarcza

(74) *Attorney, Agent, or Firm*—Rader, Fishman & Grauer, PLLC

(57) **CLAIM**

The ornamental design for a rechargeable battery, as shown.

DESCRIPTION

FIG. 1 is a perspective view of a rechargeable battery showing my new design;

FIG. 2 is a front elevational view thereof;

FIG. 3 is a rear elevational view thereof;

FIG. 4 is a left side elevational view thereof;

FIG. 5 is a right side elevational view thereof;

FIG. 6 is a top plan view thereof; and,

FIG. 7 is a bottom plan view thereof.

1 Claim, 7 Drawing Sheets

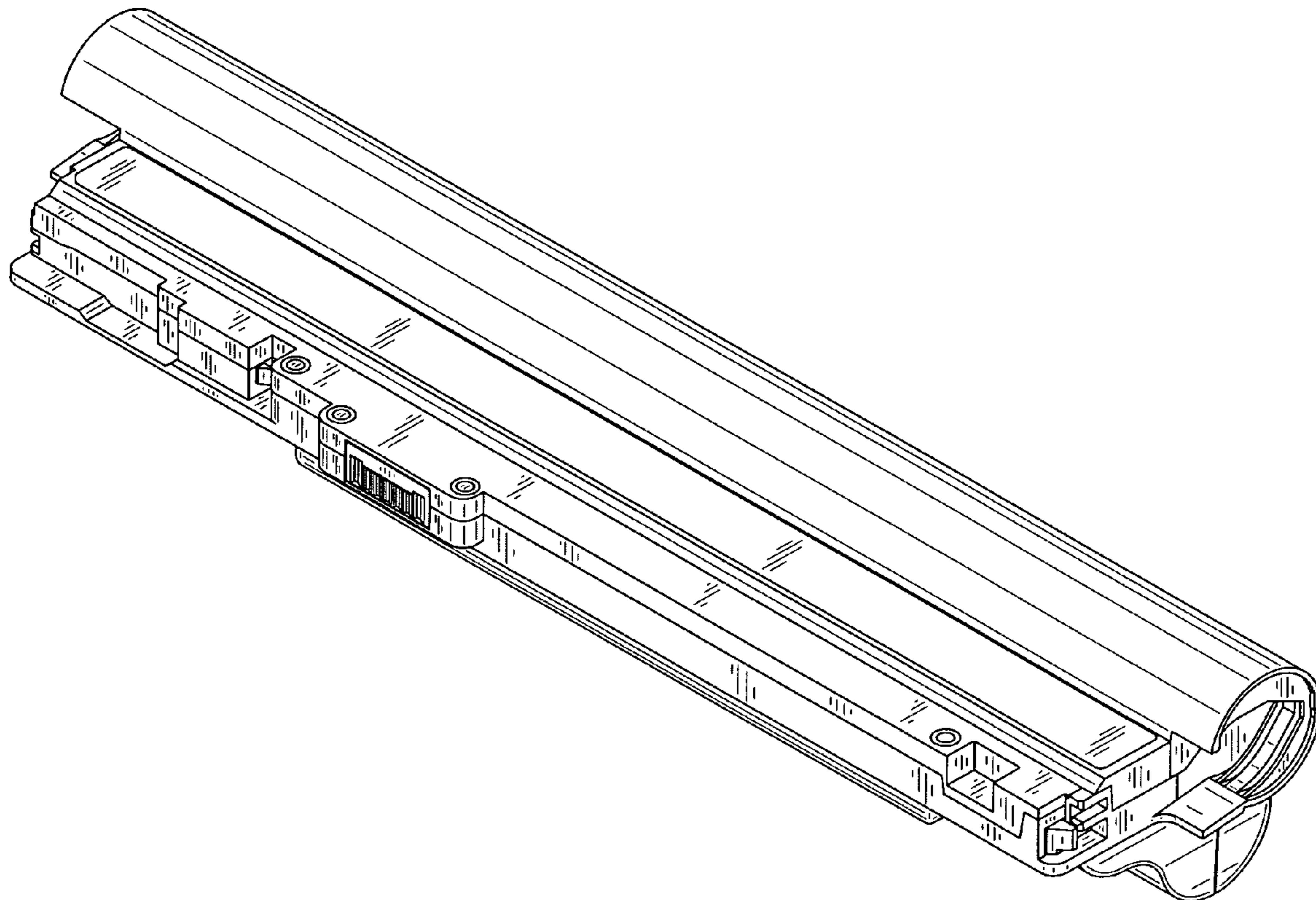


Fig.1

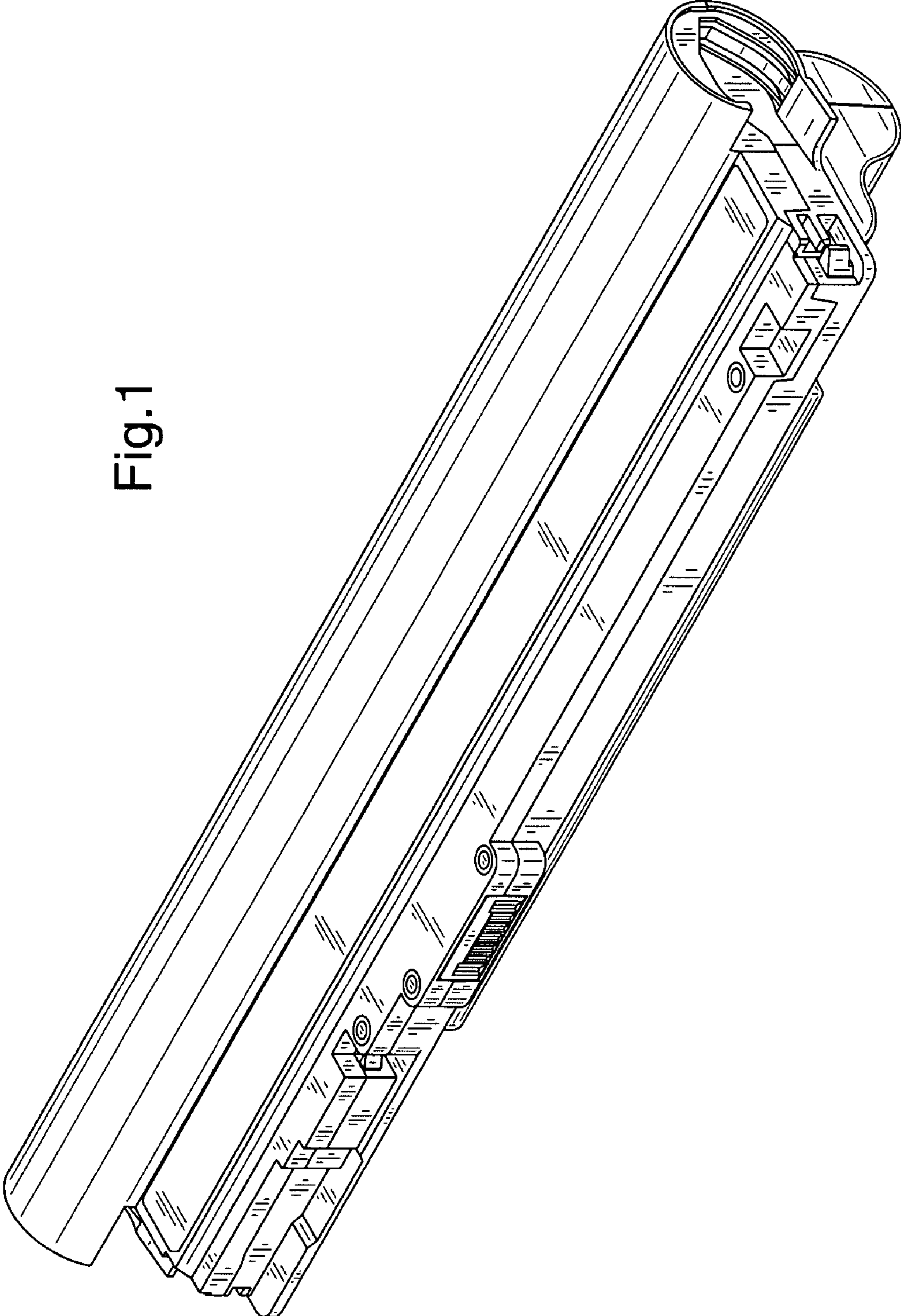


Fig.2

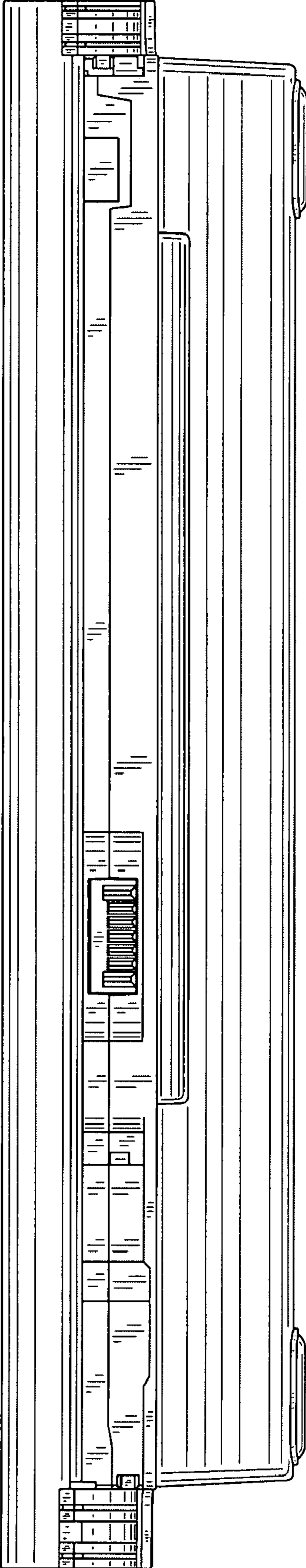


Fig.3

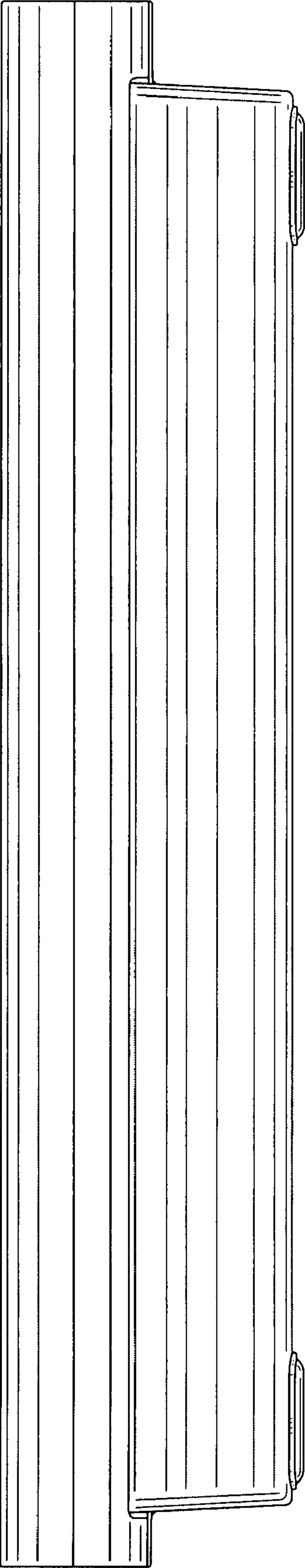


Fig.4

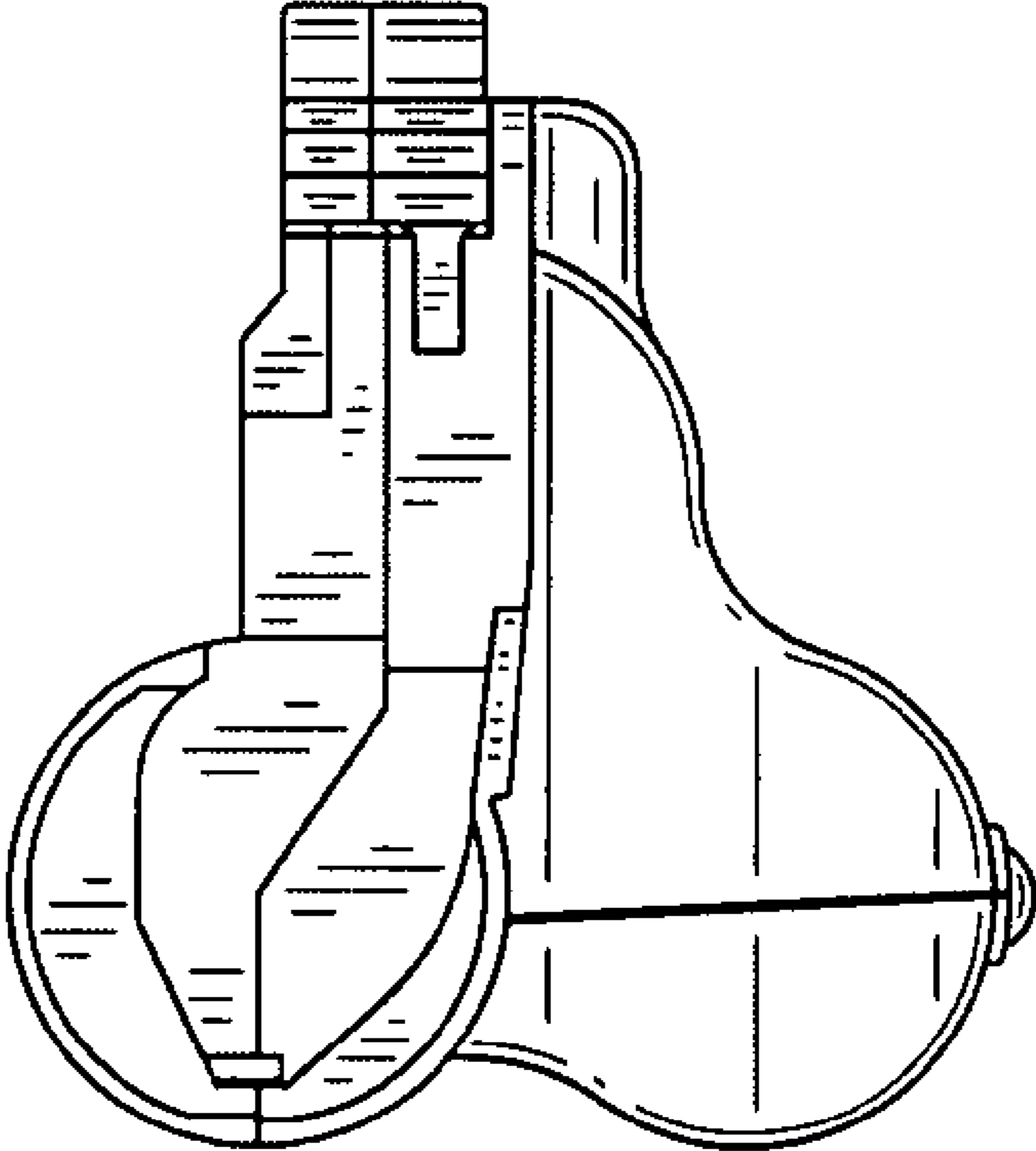


Fig. 5

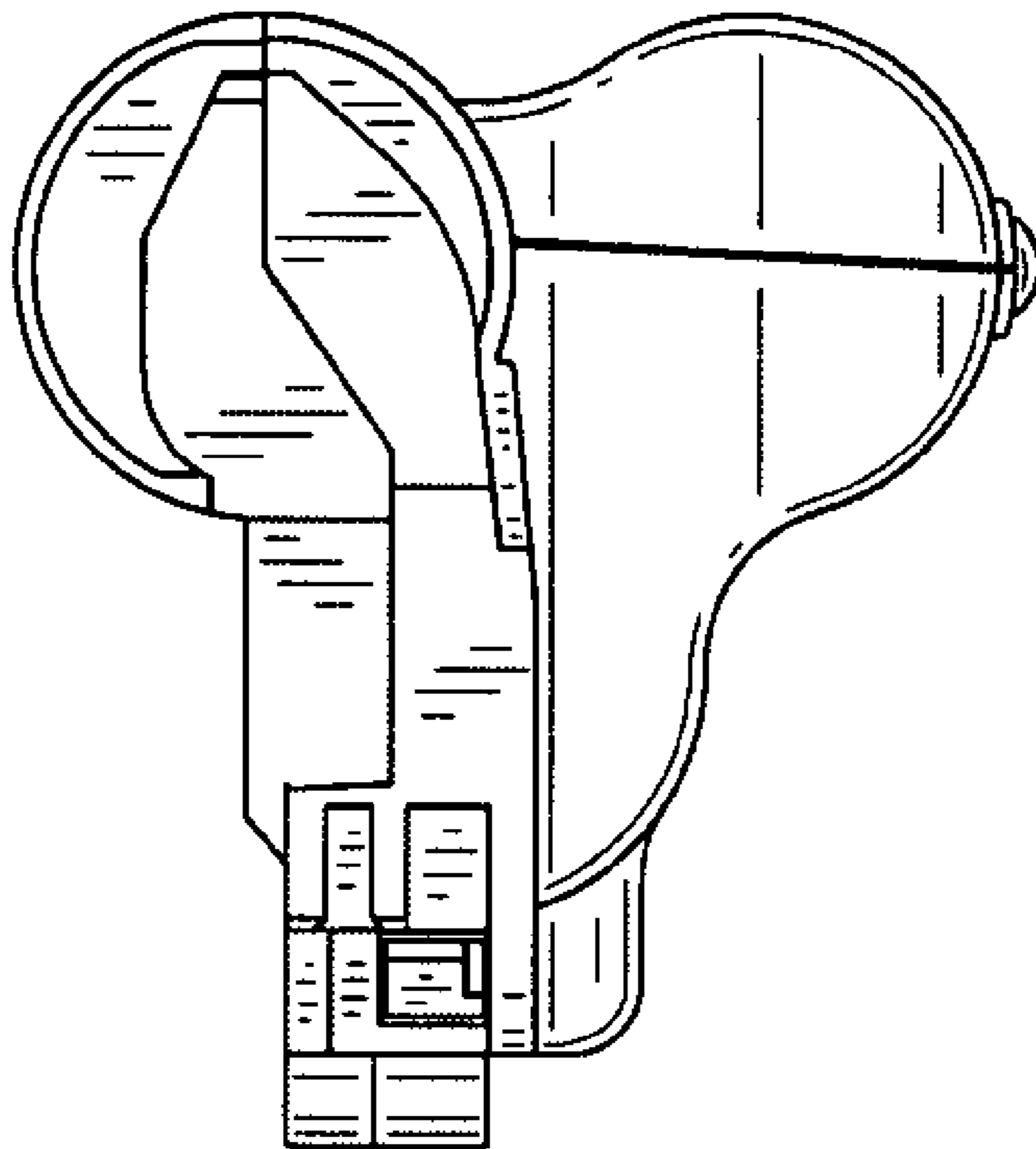


Fig.6

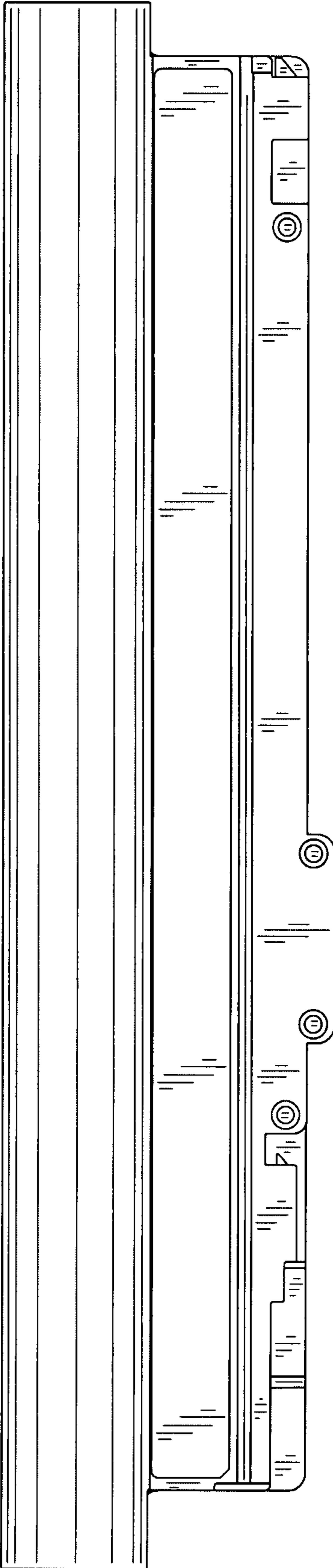


Fig.7

