



US00D580849S

(12) **United States Design Patent**
Bürger

(10) **Patent No.:** **US D580,849 S**

(45) **Date of Patent:** **** Nov. 18, 2008**

(54) **FLEXIBLE TUBE FOR SOLAR PANELS**

(75) Inventor: **Stefan Bürger**, Baunatal (DE)

(73) Assignee: **Senior Berghofer GmbH**, Kassel (DE)

(**) Term: **14 Years**

(21) Appl. No.: **29/278,890**

(22) Filed: **Apr. 12, 2007**

(30) **Foreign Application Priority Data**

Oct. 12, 2006 (EM) 000603253-0001

(51) **LOC (8) Cl.** **13-02**

(52) **U.S. Cl.** **D13/102**

(58) **Field of Classification Search** D13/102,
D13/101, 199; 126/569, 571, 580, 655, 659,
126/710; 136/206, 244-251

See application file for complete search history.

(56) **References Cited**

U.S. PATENT DOCUMENTS

D258,232 S * 2/1981 Weis D13/102
4,346,694 A * 8/1982 Moan 126/655
4,372,292 A * 2/1983 Ort 126/622

D270,660 S * 9/1983 Ort D13/102
D303,244 S * 9/1989 Hanak D13/102
D425,013 S * 5/2000 Lai D13/102
D474,444 S * 5/2003 Elgner D13/102
2005/0284467 A1 * 12/2005 Patterson 126/580

* cited by examiner

Primary Examiner—Prabhakar Deshmukh

Assistant Examiner—Derrick Holland

(74) *Attorney, Agent, or Firm*—Workman Nydegger

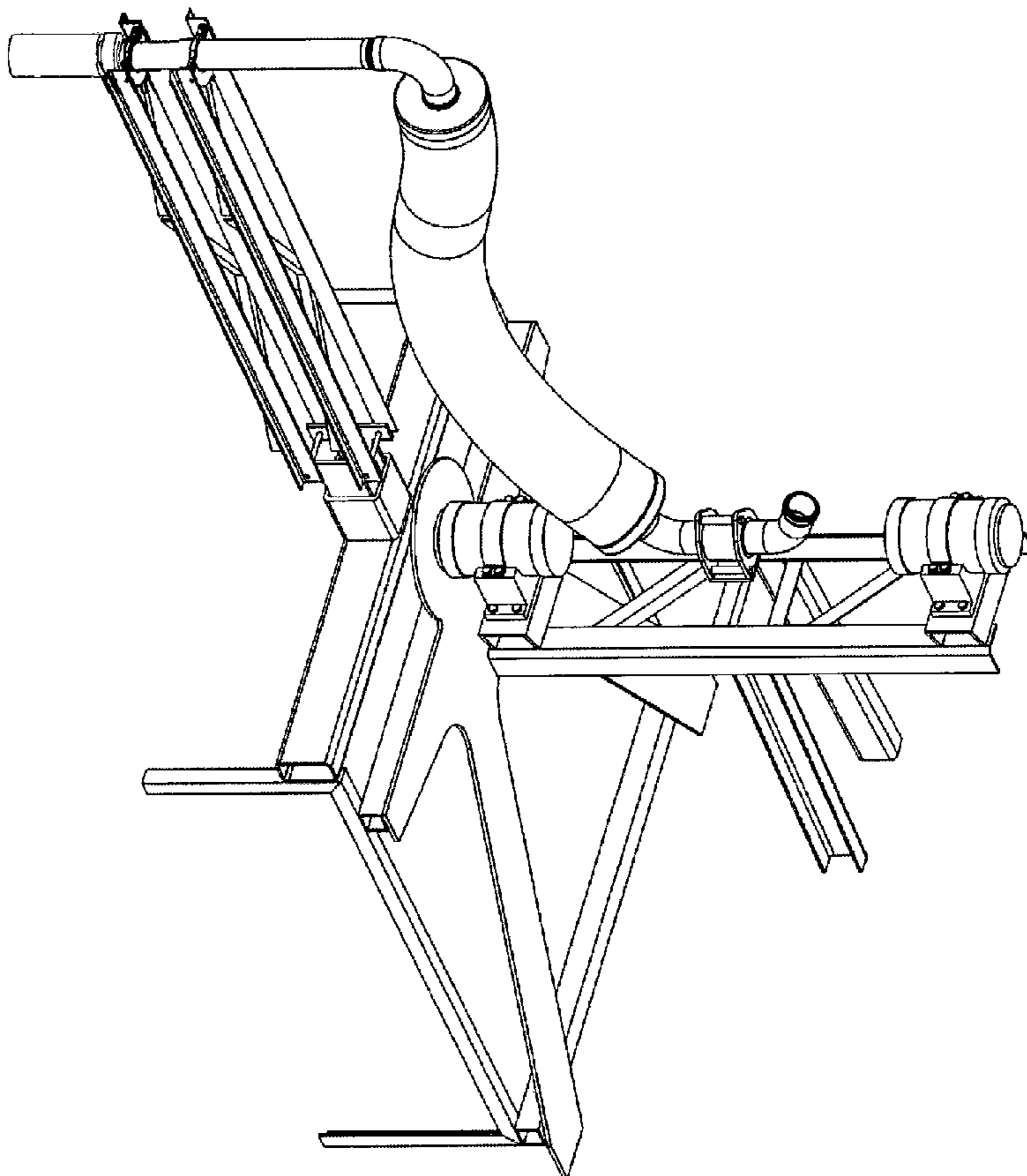
(57) **CLAIM**

The ornamental design for a flexible tube for solar panels, as shown and described.

DESCRIPTION

FIG. 1 is a perspective view of a flexible tube for solar panels;
FIG. 2 is a front side view thereof;
FIG. 3 is a back side view thereof;
FIG. 4 is a top view thereof;
FIG. 5 is a bottom view thereof;
FIG. 6 first end view thereof; and,
FIG. 7 is a second end view thereof.

1 Claim, 7 Drawing Sheets



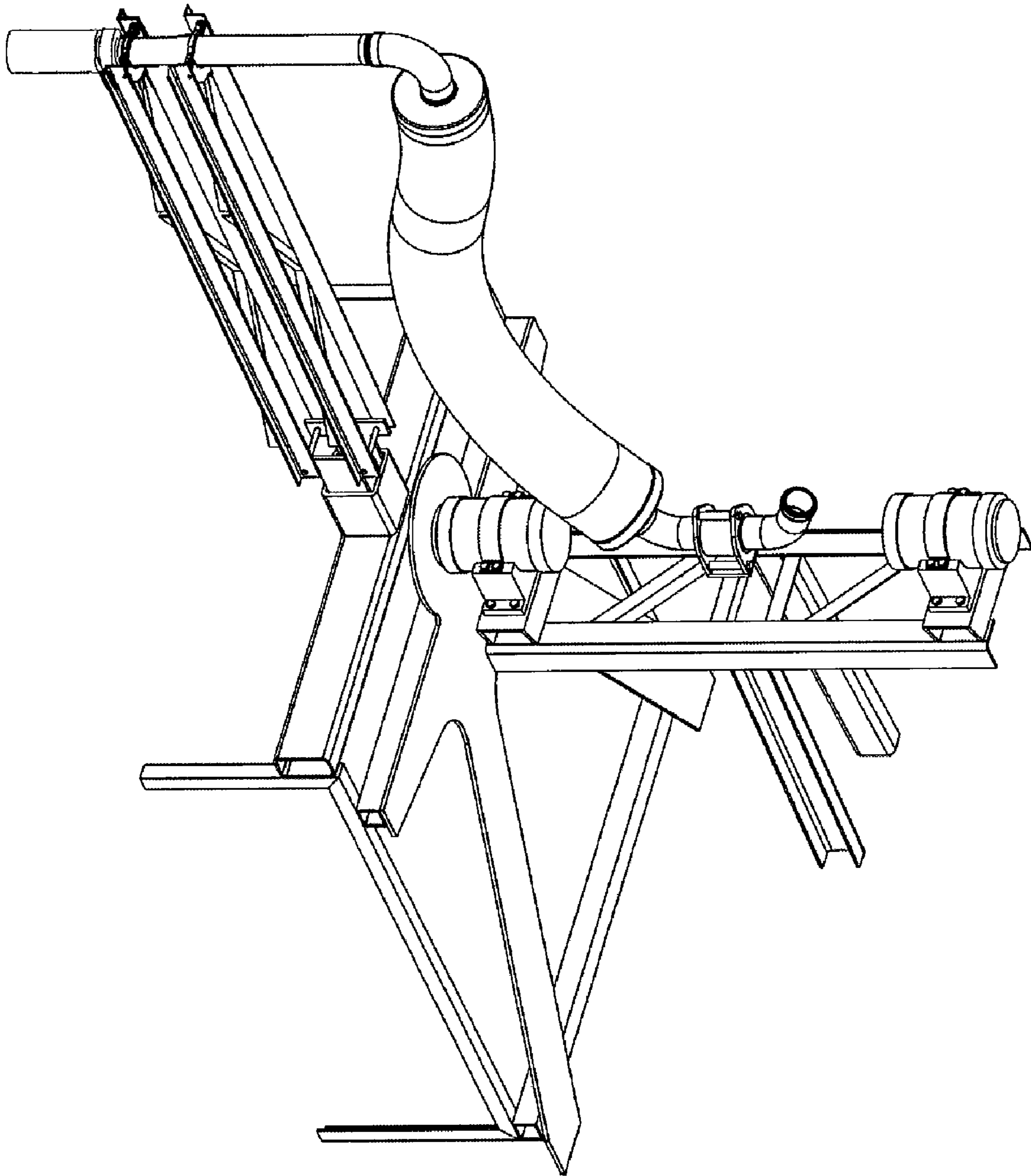


Figure 1

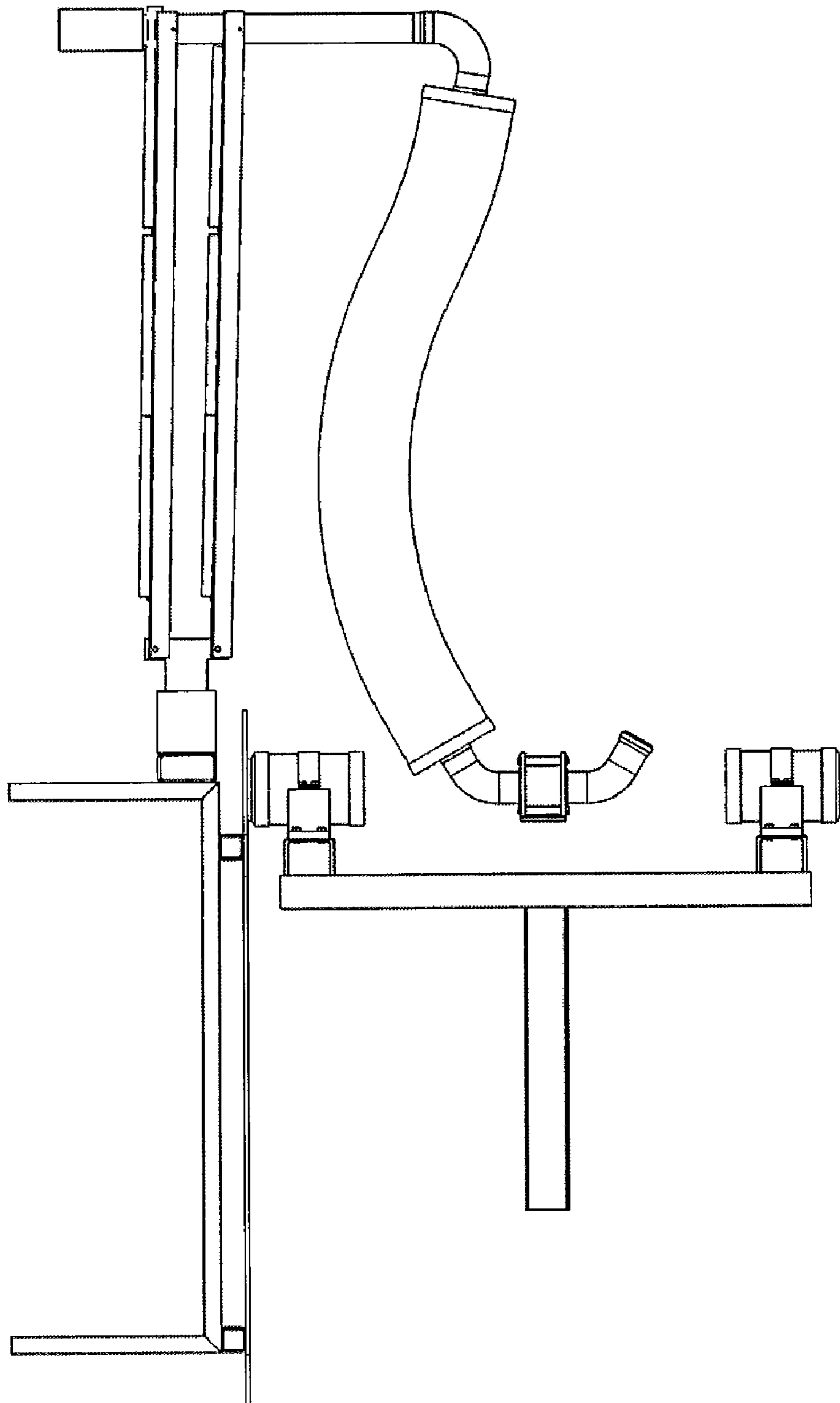


Figure 2

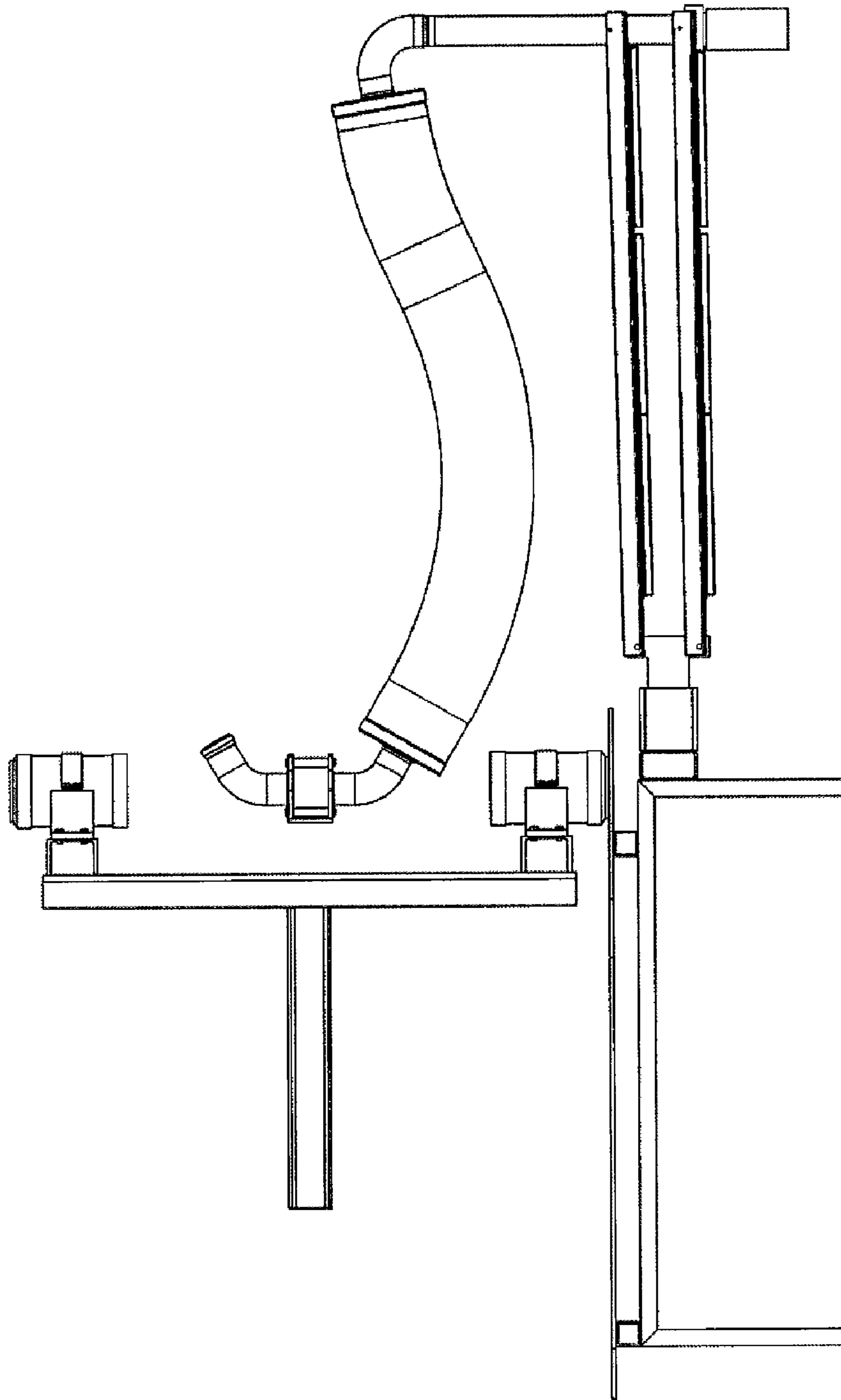


Figure 3

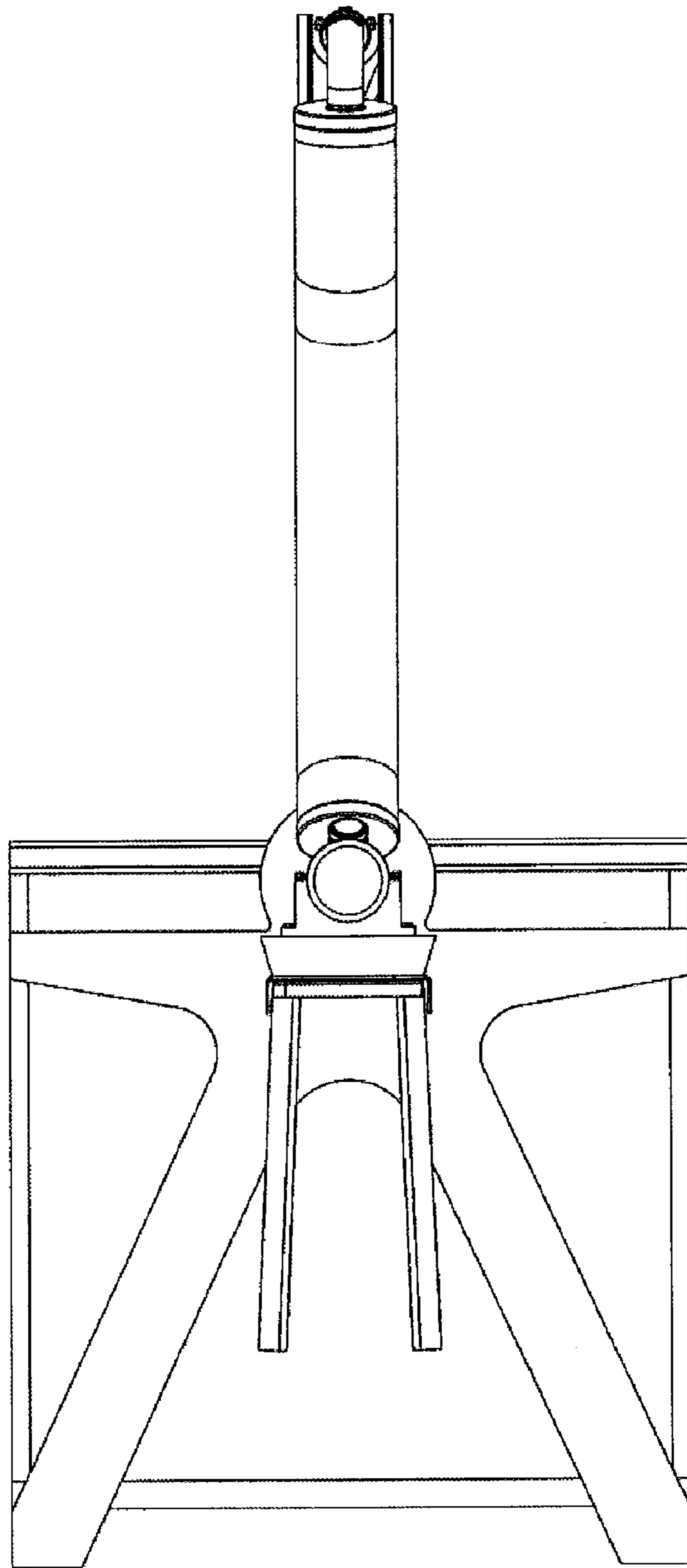


Figure 4

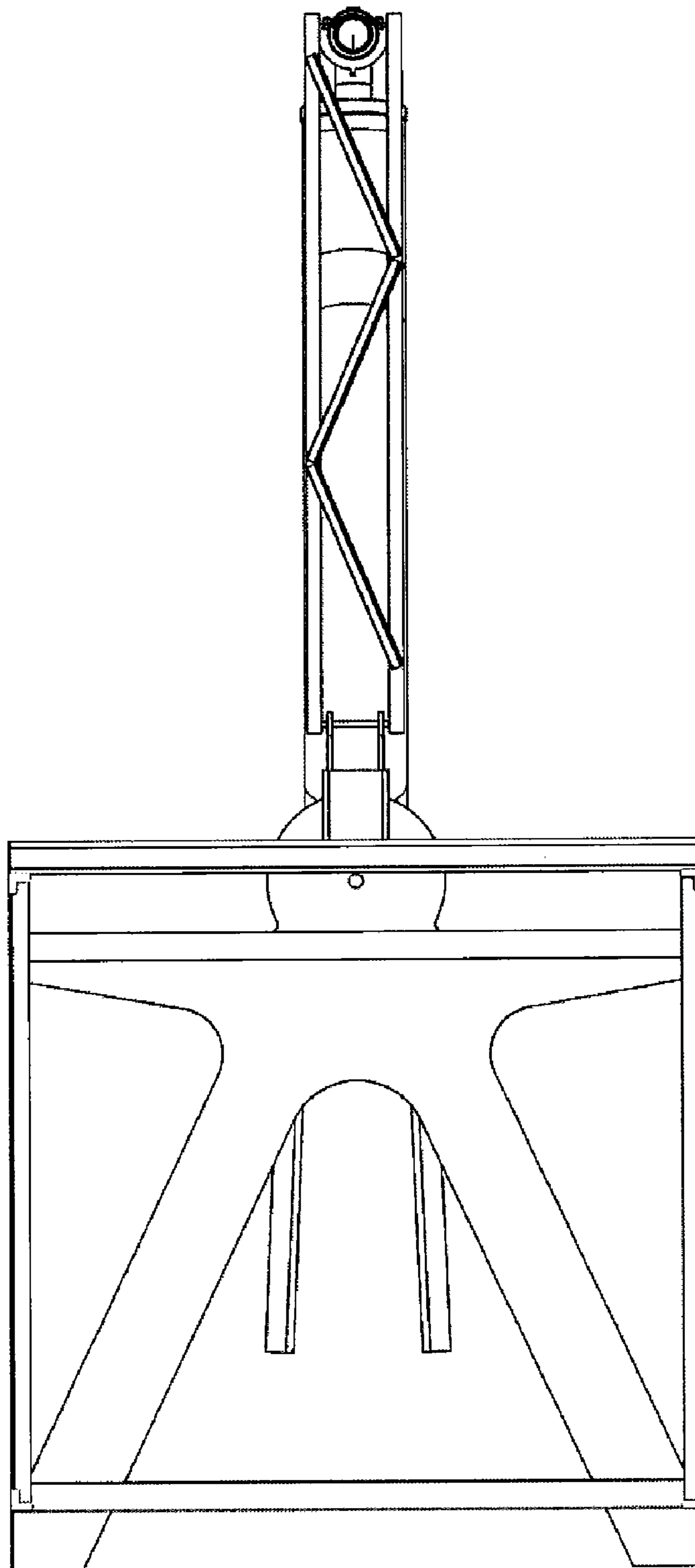


Figure 5

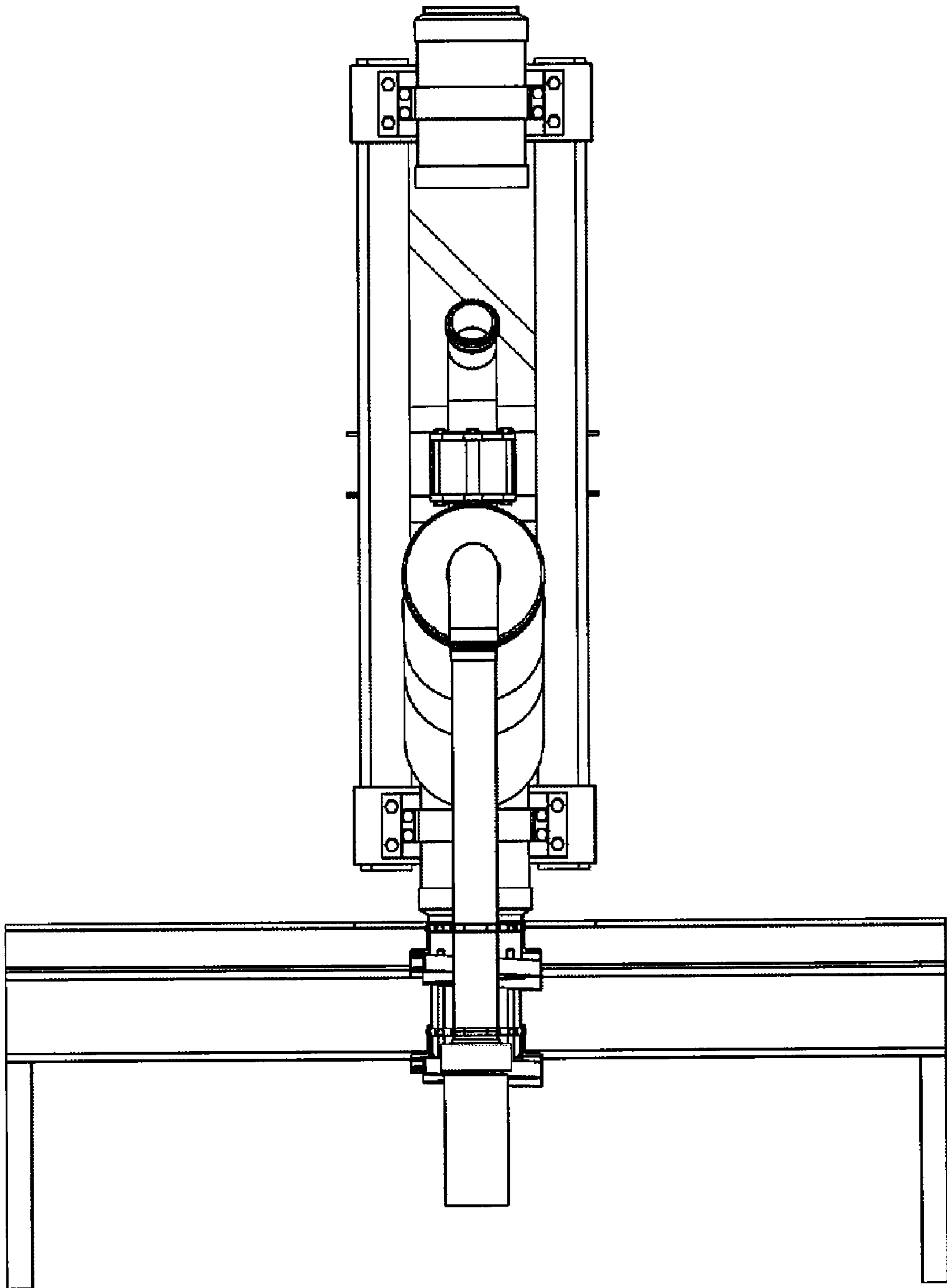


Figure 6

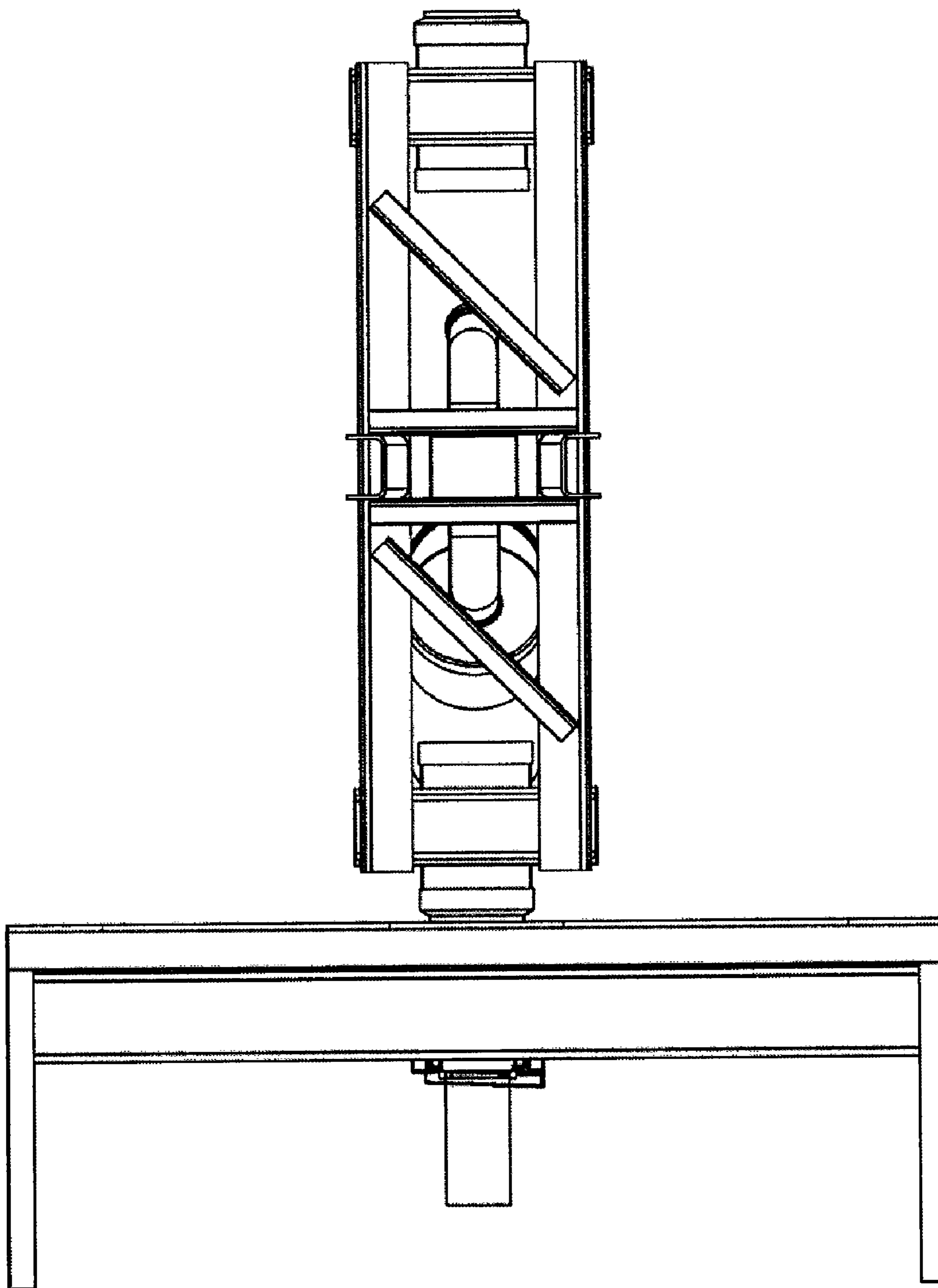


Figure 7