

US00D580846S

(12) **United States Design Patent**
Bladt et al.

(10) **Patent No.:** **US D580,846 S**
(45) **Date of Patent:** **** Nov. 18, 2008**

(54) **AIRCRAFT**

(75) Inventors: **Ralph N. Bladt**, Lopez Island, WA (US);
Paul E. Mikulencak, San Antonio, TX
(US); **Richard B. Emery**, Kirkland, WA
(US); **Richard Fraker**, Edmonds, WA
(US)

(73) Assignee: **The Boeing Company**, Chicago, IL
(US)

(**) Term: **14 Years**

(21) Appl. No.: **29/187,631**

(22) Filed: **Aug. 4, 2003**

(51) **LOC (8) Cl.** **12-07**

(52) **U.S. Cl.** **D12/345**

(58) **Field of Classification Search** D12/345;
244/118.5, 118.6, 129.4; D6/334, 335, 336,
D6/356, 367, 500, 502

See application file for complete search history.

(56) **References Cited**

U.S. PATENT DOCUMENTS

D463,357 S *	9/2002	Granzeier et al.	D12/345
6,474,599 B1 *	11/2002	Stomski	244/118.5
6,669,141 B2 *	12/2003	Schmidt-Schaeffer	244/118.6
D497,586 S *	10/2004	Ferguson	D12/345
D529,432 S *	10/2006	Boren	D12/345
D533,129 S *	12/2006	Guard et al.	D12/345
D539,210 S *	3/2007	Guard et al.	D12/345
7,252,268 B2 *	8/2007	Saint-Jalmes	244/118.6
D562,756 S *	2/2008	Ritts	D12/345
7,389,959 B2 *	6/2008	Mills	244/118.5
2002/0070314 A1 *	6/2002	Schmidt-Schaeffer	244/118.6
2003/0218095 A1 *	11/2003	Saint Jalmes	244/118.5

2004/0195451 A1 *	10/2004	Bentley et al.	244/118.6
2005/0001097 A1 *	1/2005	Saint-Jalmes	244/118.6
2005/0001098 A1 *	1/2005	Saint-Jalmes	244/118.6
2005/0023413 A1 *	2/2005	Saint-Jalmes	244/118.6
2006/0273222 A1 *	12/2006	Saint-Jalmes et al.	244/118.6

OTHER PUBLICATIONS

Handbook of Instructions for Operation of the Boeing Model 314 Flying Boat; The Boeing Company; 1938; 16 pgs.

* cited by examiner

Primary Examiner—Ian Simmons

Assistant Examiner—Maurice Stevens

(74) *Attorney, Agent, or Firm*—Perkin Coie LLP

(57) **CLAIM**

The ornamental design for an aircraft, as shown and described.

DESCRIPTION

FIG. 1 is a top, rear, isometric view of an aircraft showing our new design.

FIG. 2 is a left side view thereof, the right side view being a mirror image thereof.

FIG. 3 is a top plan view thereof.

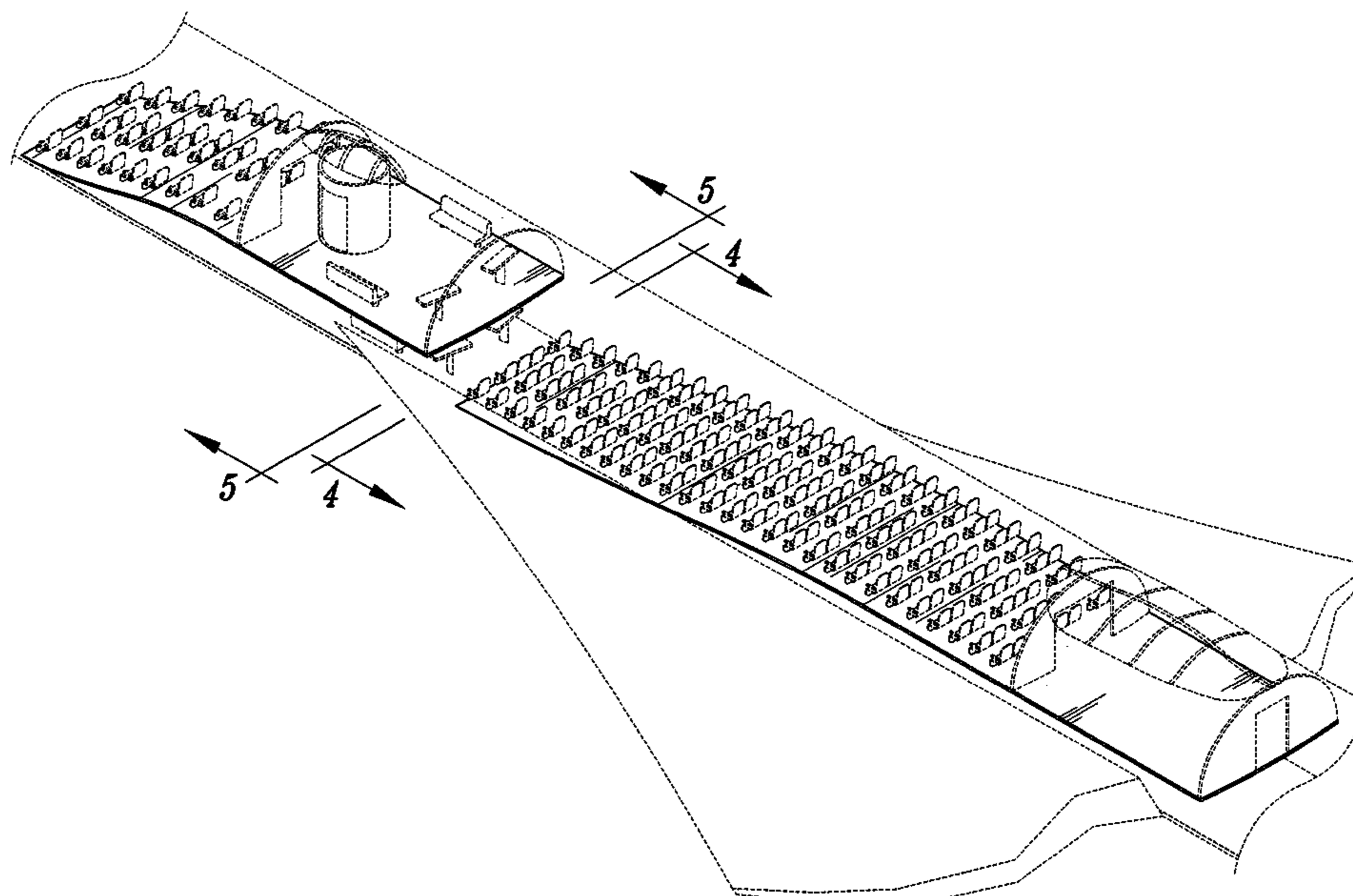
FIG. 4 is a rearward looking cross-sectional view thereof, taken along line 4—4 of FIG. 1;

FIG. 5 is a frontward looking cross-sectional view thereof, taken along line 5—5 of FIG. 1; and,

FIG. 6 is a left side view of an exterior thereof, the right side view of the exterior being a mirror image thereof.

The broken line shown in the figures is included for the purpose of illustrating environment and forms no part of the claimed design.

1 Claim, 4 Drawing Sheets



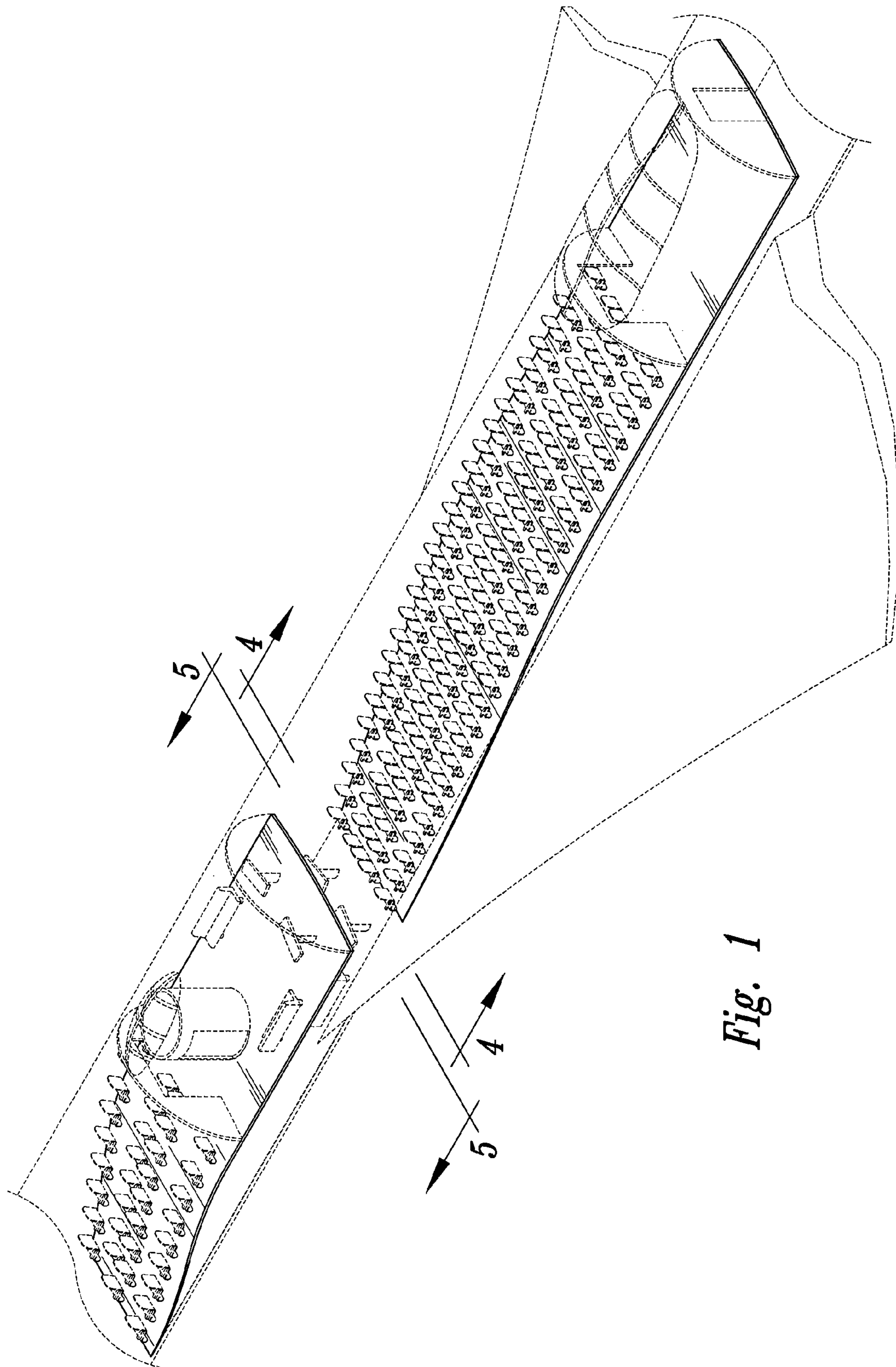


Fig. 1

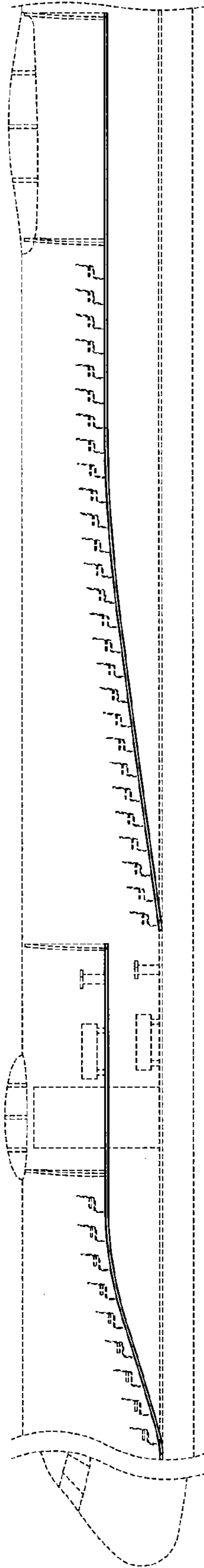


Fig. 2

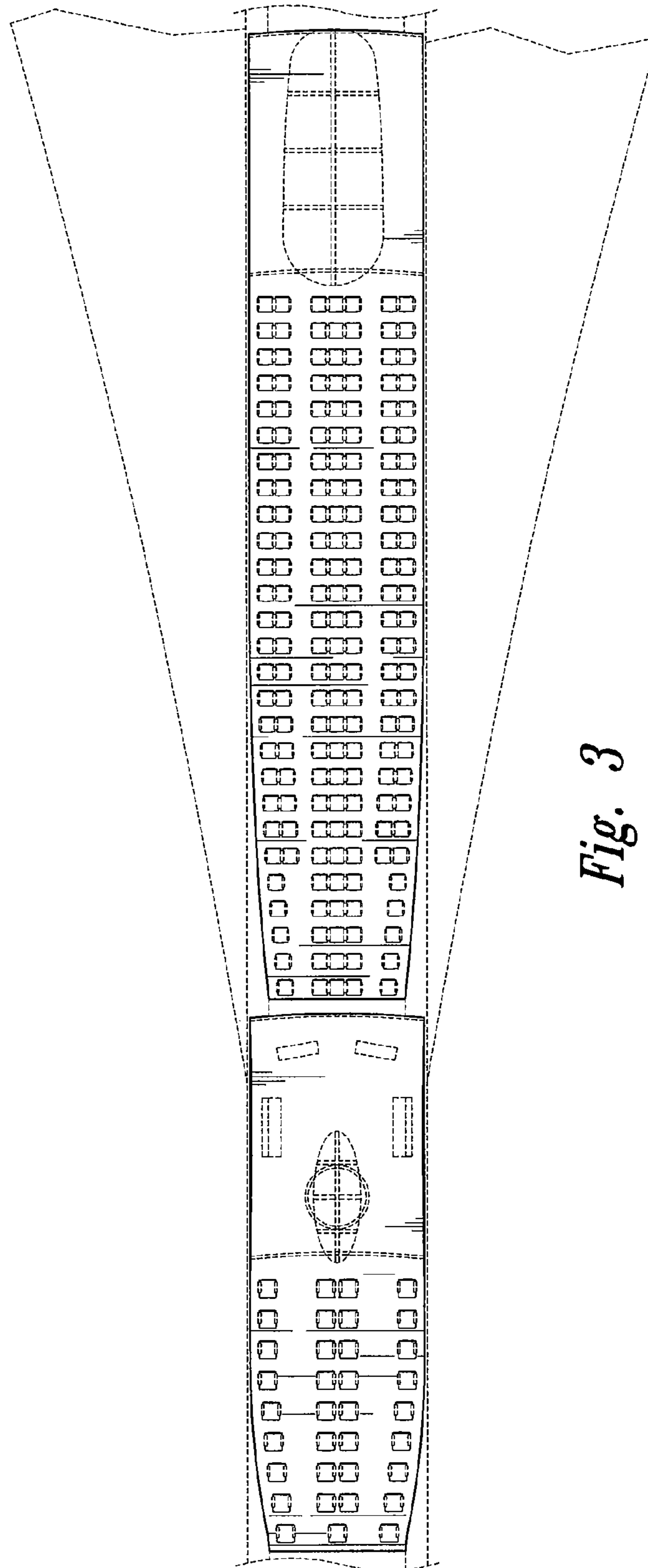


Fig. 3

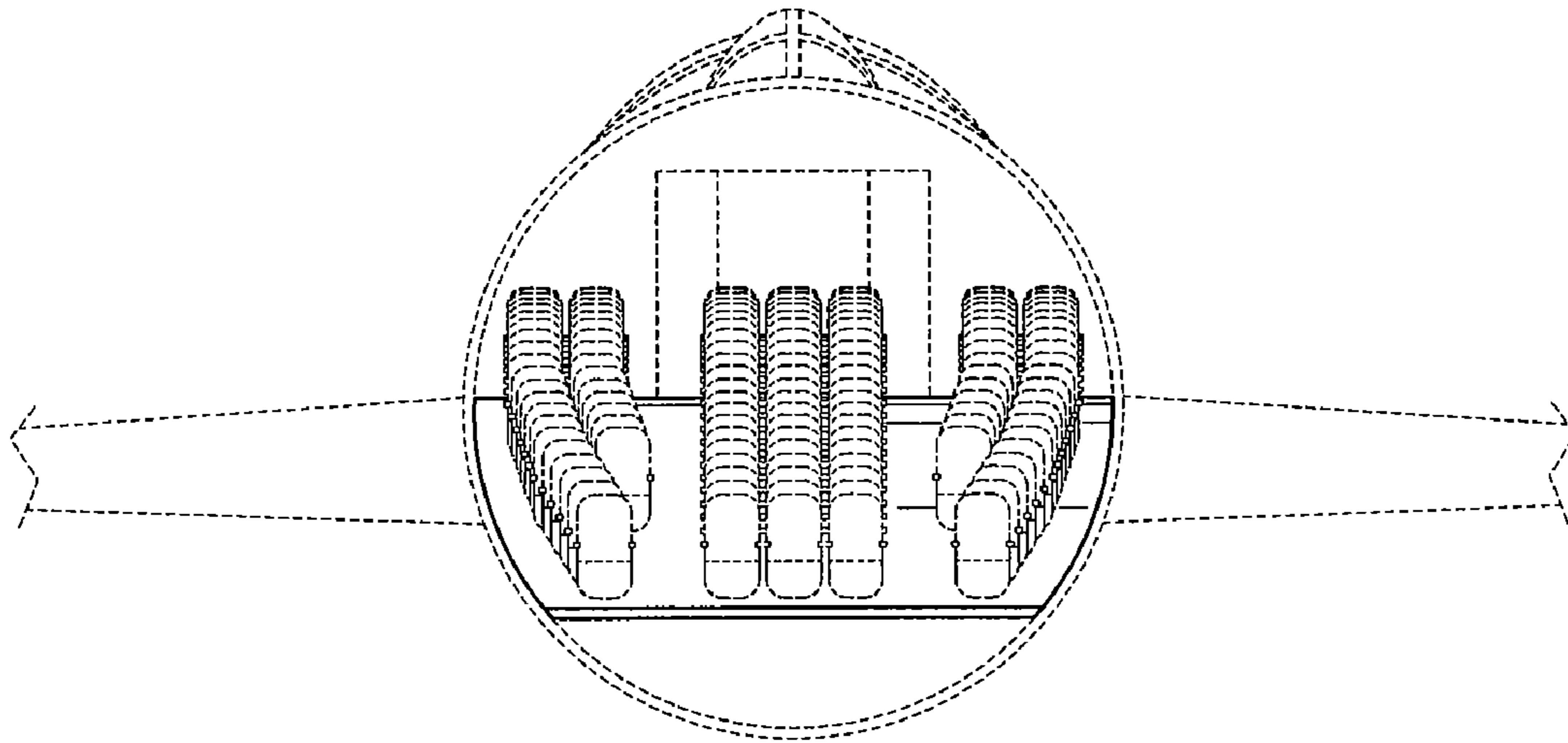


Fig. 4

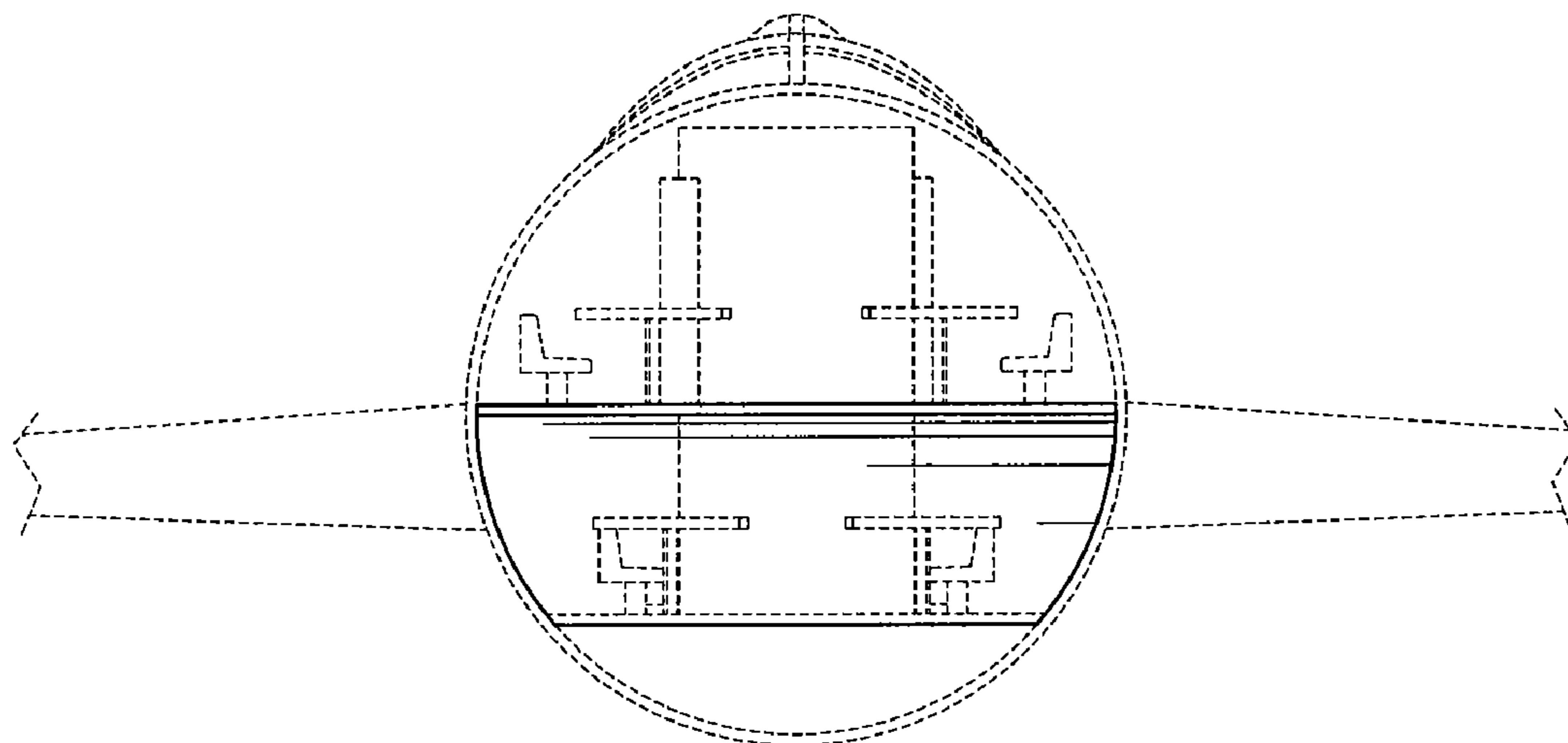


Fig. 5

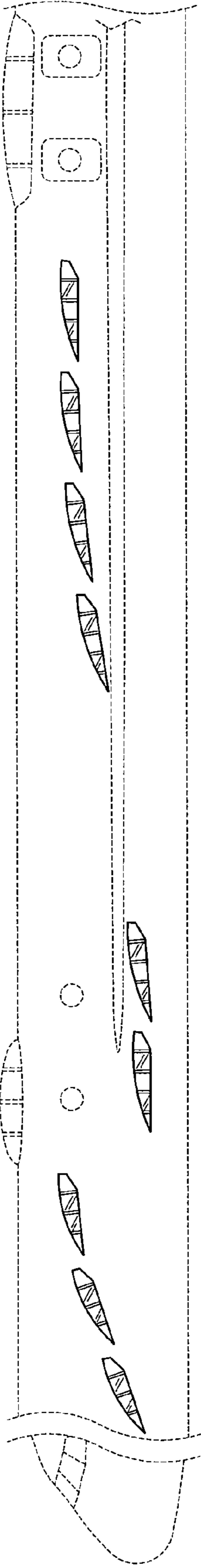


Fig. 6