



US00D580845S

(12) **United States Design Patent**
Van de Rostyne et al.

(10) **Patent No.:** **US D580,845 S**
(45) **Date of Patent:** **** Nov. 18, 2008**

(54) **HELICOPTER**

(75) Inventors: **Alexander Jozef Magdalena Van de Rostyne**, Bornem (BE); **Chi Pok Billy Wai**, Quarry Bay (HK)

(73) Assignee: **Silverlit Toys Manufactory, Ltd.**, Hong Kong (HK)

(**) Term: **14 Years**

(21) Appl. No.: **29/282,581**

(22) Filed: **Jul. 24, 2007**

Related U.S. Application Data

(60) Continuation of application No. 29/280,187, filed on May 18, 2007, now Pat. No. Des. 554,040, which is a division of application No. 29/275,322, filed on Dec. 20, 2006, now Pat. No. Des. 546,269, and a division of application No. 29/275,323, filed on Dec. 20, 2006, now Pat. No. Des. 544,825, and a division of application No. 29/275,324, filed on Dec. 20, 2006, now Pat. No. Des. 545,755, said application No. 29/275,322 is a continuation-in-part of application No. 11/462,177, filed on Aug. 3, 2006, said application No. 29/275,323 is a continuation-in-part of application No. 11/462,177, said application No. 29/275,324 is a continuation-in-part of application No. 11/462,177, said application No. 29/275,322 is a continuation-in-part of application No. 11/465,781, filed on Aug. 18, 2006, said application No. 29/275,323 is a continuation-in-part of application No. 11/465,781, said application No. 29/275,324 is a continuation-in-part of application No. 11/465,781, said application No. 29/280,187 is a continuation of application No. 29/277,652, filed on Mar. 5, 2007, now Pat. No. Des. 552,531.

(30) **Foreign Application Priority Data**

Jan. 19, 2006 (BE) 2006/0043

(51) **LOC (8) Cl.** **12-07**

(52) **U.S. Cl.** **D12/326**

(58) **Field of Classification Search** D12/326-329, D12/345; D21/441-442, 450, 453; 446/36-45, 446/230, 232; 244/17.11, 17.23, 17.25, 12.4, 244/17.19, 17.27
See application file for complete search history.

(56) **References Cited**

U.S. PATENT DOCUMENTS

1,403,909 A 1/1922 Moir

(Continued)

FOREIGN PATENT DOCUMENTS

BE 338599 12/1926

(Continued)

OTHER PUBLICATIONS

Selberg, B.P.; Cronin, D.L.; Rokhsaz, K.; Dykman, J.R., Yager, C. J. "Aerodynamic-Structural Analysis of Dual Bladed Helicopter Systems (Field Technical Report", Report No. NASA-CR-162754, Feb. 1980 46p (Abstract).

(Continued)

Primary Examiner—Charles A. Rademaker

Assistant Examiner—Maurice Stevens

(74) *Attorney, Agent, or Firm*—Greenberg Traurig, LLP

(57) **CLAIM**

The ornamental design for a helicopter, as shown and described.

DESCRIPTION

FIG. 1 is a side elevation of a helicopter, showing our new design;

FIG. 2 is an elevation of the side opposite that shown in FIG. 1;

FIG. 3 is a top plan view thereof;

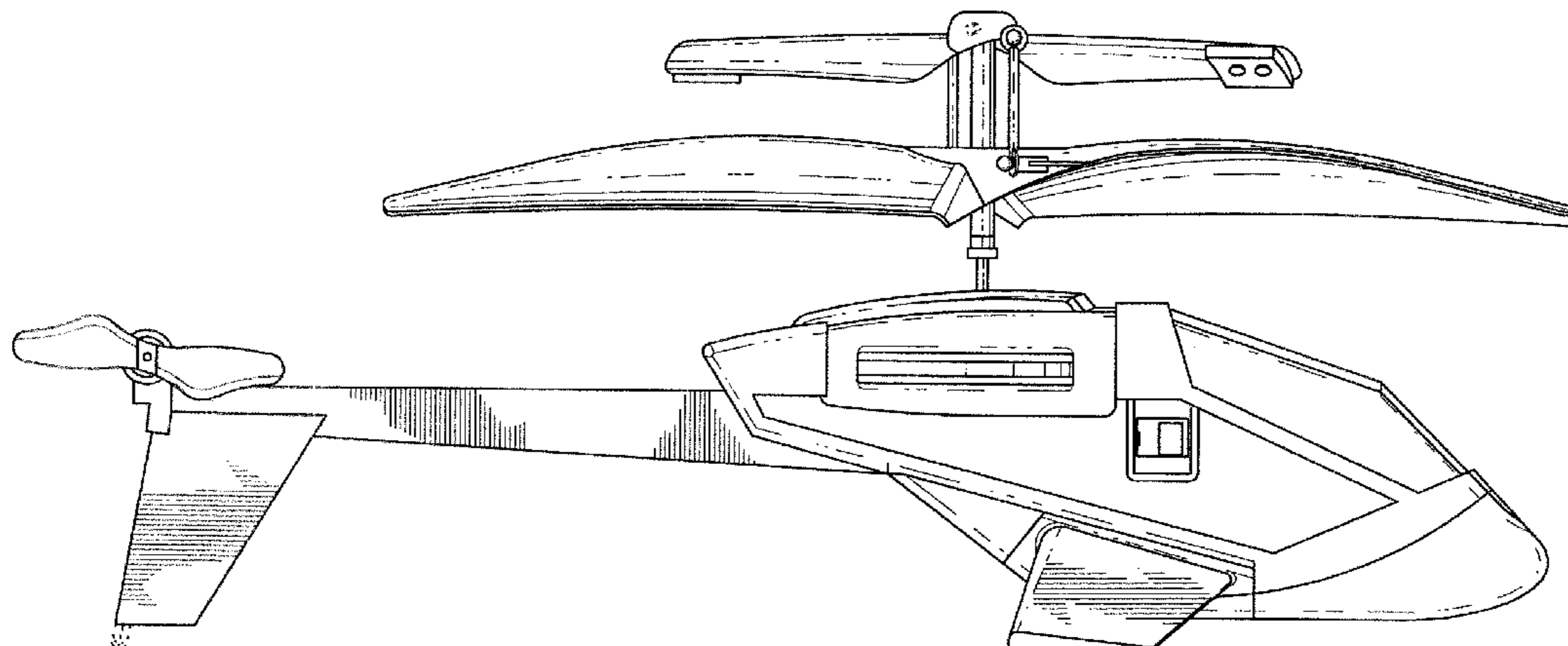
FIG. 4 is a bottom plan view thereof;

FIG. 5 is a front elevation thereof; and,

FIG. 6 is a rear elevation thereof.

Broken lines are for illustrative purposes only and form no part of the claimed design.

1 Claim, 4 Drawing Sheets



US D580,845 S

U.S. PATENT DOCUMENTS					
1,446,522 A *	2/1923	Smith 416/123	5,259,729 A	11/1993	Fujihira et al.
1,773,281 A	8/1930	Scott	5,370,341 A *	12/1994	Leon 244/17.11
1,800,470 A	4/1931	Oehmichen	D357,894 S	5/1995	Arnold et al.
2,030,578 A	2/1936	Flettner	5,511,947 A	4/1996	Schmuck
2,307,381 A	1/1943	Bess	D372,741 S	8/1996	Tsai
2,368,698 A	2/1945	Young	D378,606 S	3/1997	Tamagnini
2,384,516 A	9/1945	Young	5,609,312 A	3/1997	Arlton et al.
2,411,596 A	11/1946	Shapiro	5,628,620 A	5/1997	Arlton
2,413,831 A	1/1947	Jordan	D388,048 S	12/1997	Collins et al.
2,429,502 A	10/1947	Young	D390,942 S	2/1998	Mei
D149,130 S	3/1948	Katenberter et al.	5,749,540 A	5/1998	Arlton
2,439,143 A	4/1948	Nemeth	5,836,545 A	11/1998	Arlton et al.
D153,314 S	4/1949	Piasecki	5,879,131 A	3/1999	Arlton et al.
D153,315 S	4/1949	Piasecki	5,906,476 A	5/1999	Arlton
D153,316 S	4/1949	Piasecki	6,000,911 A	12/1999	Toulmay et al.
D153,317 S	4/1949	Piasecki	D421,279 S	2/2000	Tsai
2,469,144 A	5/1949	Baggott	6,032,899 A	3/2000	Mondet et al.
2,481,750 A	9/1949	Hiller, Jr. et al.	6,039,541 A	3/2000	Parker et al.
2,486,059 A *	10/1949	Pentecost 416/115	D425,853 S	5/2000	Caporaletti
2,532,683 A	12/1950	Traver	6,302,652 B1	10/2001	Roberts
D163,938 S	7/1951	Douglas	6,398,618 B1	6/2002	Wu
2,629,568 A	2/1953	Croschere, Jr. et al.	6,435,453 B1 *	8/2002	Carter, Jr. 244/8
2,633,924 A	4/1953	Young	6,460,802 B1	10/2002	Norris
2,646,848 A	7/1953	Young	6,467,726 B1	10/2002	Hosoda
2,629,570 A	12/1953	Carnahan	D467,861 S	12/2002	Lee
D171,569 S	3/1954	Apostolescu	6,499,690 B1	12/2002	Katayama et al.
2,725,494 A	11/1955	Anderson	6,543,726 B2	4/2003	Illingworth
D178,081 S	6/1956	Papadakos	6,632,119 B2	10/2003	Chernek et al.
2,750,131 A	6/1956	Thomson	6,659,395 B2	12/2003	Rehkemper et al.
D181,643 S	12/1957	Graham	6,659,721 B1	12/2003	Parker et al.
D187,895 S	5/1960	Douglas	6,702,552 B1	3/2004	Harman
2,950,074 A	8/1960	Apostolescu	6,719,244 B1	4/2004	Gress
3,029,048 A	4/1962	Brooks et al.	6,732,973 B1	5/2004	Rehkemper
3,035,643 A	5/1962	Kelley et al.	6,749,401 B2	6/2004	Vanmoor
3,080,001 A	3/1963	Culver et al.	6,758,436 B2	7/2004	Rehkemper et al.
3,093,929 A	6/1963	Robbins et al.	6,789,764 B2	9/2004	Bass et al.
3,106,964 A	10/1963	Culver et al.	6,884,034 B1	4/2005	Parker et al.
3,180,424 A	4/1965	Serriades	6,886,777 B2	5/2005	Rock
3,213,944 A	10/1965	Nichols et al.	6,929,215 B2	8/2005	Arlton et al.
3,228,478 A	1/1966	Edenborough	6,960,112 B2	11/2005	Helmlinger et al.
3,231,222 A	1/1966	Scheutzow	D524,227 S *	7/2006	Stille et al. D12/327
3,409,249 A	11/1968	Bergquist et al.	D524,228 S *	7/2006	Scott et al. D12/327
3,448,810 A	6/1969	Vogt	D524,229 S	7/2006	Stille et al.
3,572,616 A	3/1971	Ulisnik	D524,230 S	7/2006	Stille et al.
3,592,559 A	7/1971	Ward	D524,718 S *	7/2006	Scott et al. D12/327
3,625,631 A	12/1971	Covington, Jr. et al.	7,100,866 B2	9/2006	Rehkemper et al.
3,771,924 A	11/1973	Buchstaller	7,178,758 B2 *	2/2007	Rehkemper 244/17.11
D232,168 S	7/1974	Leoni	7,198,223 B2	4/2007	Phelps, III et al.
D232,170 S	7/1974	Diamond et al.	7,204,453 B2	4/2007	Muren
D234,350 S	2/1975	Beckert et al.	D544,825 S	6/2007	Van de Rostyne et al.
3,933,324 A	1/1976	Ostrowski	D545,735 S *	7/2007	Angelo et al. D12/173
D239,930 S	5/1976	Ulisnik	D545,755 S	7/2007	Van de Rostyne et al.
4,024,230 A	5/1977	Kastan	D546,269 S	7/2007	Van de Rostyne et al.
4,053,123 A	10/1977	Chadwick	D548,803 S	8/2007	Zimet
4,073,086 A	2/1978	Ogawa	7,264,199 B2	9/2007	Zientek
4,118,143 A	10/1978	Kavan	D552,531 S	10/2007	Van de Rostyne et al.
4,142,697 A	3/1979	Fradenburgh	D554,040 S	10/2007	Van de Rostyne et al.
D253,003 S	9/1979	Tanaka	7,306,186 B2	12/2007	Kusic
4,227,856 A	10/1980	Verrill et al.	D559,764 S	1/2008	Wai
4,307,533 A	12/1981	Sims et al.	D561,084 S	2/2008	Wai
4,519,746 A	5/1985	Wainauski et al.	D561,679 S	2/2008	Wai
4,522,563 A	6/1985	Reyes et al.	2002/0008759 A1	1/2002	Hoyos
4,629,440 A	12/1986	McKittrick et al.	2002/0109044 A1	8/2002	Rock
D287,738 S *	1/1987	Bollinger et al. D21/442	2002/0134883 A1	9/2002	Stamps et al.
D294,605 S	3/1988	Matsumoto	2004/0087241 A1	5/2004	Agostini et al.
5,015,187 A	5/1991	Lord	2004/0184915 A1	9/2004	Kunii et al.
5,108,043 A *	4/1992	Canavespe 244/17.11	2004/0222329 A1	11/2004	Kuhns et al.
5,151,014 A	9/1992	Greenwald et al.	2004/0245376 A1	12/2004	Muren
5,209,429 A *	5/1993	Doolin et al. 244/17.11	2005/0121553 A1	6/2005	Isawa et al.
5,240,204 A	8/1993	Kunz	2006/0102777 A1	5/2006	Rock
5,255,871 A	10/1993	Ikeda	2006/0121819 A1	6/2006	Isawa
			2006/0231677 A1	10/2006	Zimet et al.
			2007/0012818 A1	1/2007	Miyazawa et al.

2007/0105475	A1	5/2007	Gotou et al.	
2007/0164148	A1	7/2007	Van De Rostyne	
2007/0164149	A1 *	7/2007	Van de Rostyne	244/17.21
2007/0164150	A1 *	7/2007	Van de Rostyne et al.	244/17.21
2007/0178798	A1	8/2007	Lai	
2007/0181742	A1	8/2007	Van de Rostyne et al.	
2007/0187549	A1	8/2007	Owen	
2007/0215750	A1	9/2007	Shantz et al.	
2007/0221781	A1 *	9/2007	Van de Rostyne	244/17.25
2007/0262197	A1	11/2007	Phelps et al.	
2007/0272794	A1 *	11/2007	Van de Rostyne	244/17.23
2008/0076319	A1	3/2008	Van de Rostyne	
2008/0076320	A1	3/2008	Van de Rostyne	
2008/0085653	A1	4/2008	Van de Rostyne	
2008/0111399	A1	5/2008	Ziarten	
2008/0112808	A1	5/2008	Schmaling et al.	

FOREIGN PATENT DOCUMENTS

BE	1016960	11/2007
DE	1 270 408	6/1968
DE	40 17 402 A1	12/1991
DE	94 14 652 U1	11/1994
DE	203 14 041 U1	4/2004
EP	0 250 135	12/1987
EP	0 727 350	8/1996
EP	1462362 A1	9/2004
ES	P0233821	8/1957
ES	P0234258	9/1957
ES	P0245313	4/1959
ES	P0283794	1/1963
ES	490715	4/1980
ES	275141	7/1982
ES	0298826	1/1989
ES	0464158	1/1992
ES	2 074 010	8/1995
ES	0727350	8/1996
ES	2 172 362	9/2002
ES	1238185	9/2002
ES	1462362	9/2004
GB	255936	7/1926
GB	272871	5/1927
GB	916894 A	1/1963
GB	956536	4/1964
GB	958536	5/1964
GB	1081341 A	8/1967
GB	2 436 258 A	9/2007
JP	30-7668	10/1930
JP	32-003535	6/1932
JP	1269699	10/1989
JP	9048398	2/1997
JP	9512515	12/1997
JP	10076996	3/1998
JP	2000-272594	10/2000
JP	2003-103066	4/2003
JP	2003-220999	8/2003
JP	2005193905 A	7/2005
JP	2006-051217	2/2006
JP	2004121798 A	12/2006
WO	WO03/080433 A1	10/2003
WO	WO2006/075096	7/2006

OTHER PUBLICATIONS

Ham, Normand. Helicopter individual-blade-control research at MIT 1977-1985; DGLR, European Rotorcraft Forum, 12th, Garmisch-Partenkirchen, West Germany; Germany, Federal Republic of; Sep. 22-25 1986 10 pp. 1986 (Abstract).
 Proctor, Paul. "Aviation Week & Space Technology", v146, n13, p. 47(1), Mar. 31, 1997 (Abstract).

Zein-Sabatto, S.; Zheng, Y. "Intelligent Flight Controllers for Helicopter Control"; 1997 IEEE International Conference on Neural Networks, Proceedings (Cat. No. 97CH36109) Part vol. 2 p. 617-21 vol. 2 (Abstract).
 Mirick, Paul H. "A Comparison of Theory and Experiment for Coupled Rotor Body Stability of a Bearingless Rotor Model in Hover and Forward Flight", Jun. 1, 1988, IP Document Id 19880017770 pp. 87-101 (Abstract).
 U.S. District Court, Eastern District of Virginia, Norfolk Division, *Silverlit Toys Manufactory, Ltd., et al. v. Westminster, Inc., et al.*, Case No. 2:07-cv-472-JBF/JEB.
 U.S. District Court, Northern District of Georgia, Atlanta Division, *Westminster, Inc. v. Silverlit Toys Manufactory, Ltd., et al.*, Case No. 1:07-cv-2450-JOF.
 U.S. District Court, Central District of California, Southern Division, *Innovage LLC v. Silverlit Toys Manufactory, Ltd., et al.*, Case No. SACV07-1334 DOC (ANx).
 U.S. Appl. No. 11/953,823, filed Dec. 10, 2007, Van de Rostyne.
 U.S. Appl. No. 11/953,826, filed Dec. 10, 2007, Van de Rostyne.
 U.S. Appl. No. 11/953,830, filed Dec. 10, 2007, Van de Rostyne.
 U.S. Appl. No. 29/283,934, filed Aug. 27, 2007, Van de Rostyne, et al.
 U.S. Appl. No. 29/297,478, filed Nov. 12, 2007, Van de Rostyne, et al.
 U.S. Appl. No. 29/297,479, filed Nov. 12, 2007, Van de Rostyne, et al.
 U.S. Appl. No. 29/297,765, filed Nov. 16, 2007, Van de Rostyne, et al.
 U.S. Appl. No. 29/302,018, filed Jan. 8, 2008, Van de Rostyne, et al.
 U.S. Appl. No. 29/302,020, filed Jan. 8, 2008, Van de Rostyne, et al.
 "Declaration of Alexander Van De Rostyne in Support of Defendants and Counterclaimants Silverlit Toys Manufactory Ltd.'s and Spin Master Ltd.'s Motion for Preliminary Injunction", with relevant Exhibits A, C and E-Q, filed on Dec. 3, 2007, in USDC Case No. SACV07-1334 DOC (ANx).
 "Declaration of Kei Fung ("Kevin") Choi in Support of Defendants and Counterclaimants' Motion for Preliminary Injunction", with relevant Exhibits A, C and E, filed on Dec. 3, 2007, in USDC Case No. SACV07-1334 DOC (ANx).
 "Declaration of L. Kenneth Rosenthal in Support of Counterclaimants Silverlit Toys Manufactory Ltd.'s and Spin Master Ltd.'s Motion for Preliminary Injunction", with relevant Exhibits O, P, S, V, Y, BB, MM and NN, filed on Dec. 3, 2007, in USDC Case No. SACV07-1334 DOC (ANx).
 "Memorandum of Points and Authorities in Support of Motion for Preliminary Injunction of Silverlit Manufactory Ltd. and Spin Master Ltd.", filed on Dec. 3, 2007, in USDC Case No. SACV07-1334 DOC (ANx).
 "Declaration of Valerie W. Ho in Support of Defendants and Counterclaimants' Motion for Preliminary Injunction", with relevant Exhibits A, B and M, filed on Dec. 3, 2007, in USDC Case No. SACV07-1334 DOC (ANx).
 "Declaration of Conor Forkan in Support of Counterclaimants Silverlit Toys Manufactory Ltd.'s and Spin Master Ltd.'s Reply to Innovage's Opposition to Motion for Preliminary Injunction", with relevant Exhibits A-D, filed on Dec. 26, 2007, in USDC Case No. SACV07-1334 DOC (ANx).
 "Declaration of L. Kenneth Rosenthal in Support of Counterclaimants Silverlit Toys Manufactory Ltd.'s and Spin Master Ltd.'s Reply to Innovage's Opposition to Motion for Preliminary Injunction", with relevant Exhibits A-D, filed on Dec. 26, 2007, in USDC Case No. SACV07-1334 DOC (ANx).
 "Counterclaimants Silverlit Toys Manufactory Ltd.'s and Spin Master Ltd.'s Reply in Support of Motion for Preliminary Injunction", filed on Dec. 26, 2007, in USDC Case No. SACV07-1334 DOC (ANx).
 "Innovage's Memorandum of Points and Authorities in Opposition to Silverlit and Spin Master's Motion for Preliminary Injunction", filed on Dec. 19, 2007, in USDC Case No. SACV07-1334 DOC (ANx).
 "Declaration of Francisco Rubio-Campos in Support of Plaintiff Innovage LLC's Opposition to Silverlit and Spin Master's Motion for Preliminary Injunction", filed on Dec. 19, 2007, in USDC Case No. SACV07-1334 DOC (ANx).
 "Declaration of Jennifer Hamilton in Support of Plaintiff Innovage LLC's Opposition to Silverlit and Spin Master's Motion for Preliminary Injunction", filed on Dec. 19, 2007, in USDC Case No. SACV07-1334 DOC (ANx).

“Counterclaim Defendant Merchsource’s Opposition to Preliminary Injunction”, filed on Dec. 19, 2007, in USDC Case No. SACV07-1334 DOC (ANx).

“Declaration of Lowell Anderson in Opposition to Preliminary Injunction”, filed on Dec. 19, 2007, in USDC Case No. SACV07-1334 DOC (ANx).

“Supplemental Declaration of Francisco Rubio-Campos in Support of Plaintiff Innovage LLC’s Opposition to Silverlit and Spin Master’s Motion for Preliminary Injunction”, filed on Jan. 4, 2008, in USDC Case No. SACV07-1334 DOC (ANx).

“Declaration of Nicholas Ringold in Support of Defendants and Counterclaimants’ Reply to Merchsource LLC’s Opposition to Ex Parte Application to Shorten Time for Hearing on Preliminary Injunction”, with relevant Exhibits B-1, filed on Dec. 5, 2007, in USDC Case No. SACV07-1334 DOC (ANx).

“Declaration of Kei Fung (“Kevin”) Choi in Support of Defendants and Counterclaimants’ Reply to Merchsource LLC’s Opposition to Ex Parte Application to Shorten Time for Hearing on Preliminary Injunction”, with Exhibit A, filed on Dec. 6, 2007, in USDC Case No. SACV07-1334 DOC (ANx).

“Counterclaimants Silverlit Toys Manufactory Ltd.’s and Spin Master’s Reply to Merchsource LLC’ Opposition to Ex Parte Application to Shorten Time for Hearing on Motion for Preliminary Injunction”, filed on Dec. 6, 2007, in USDC Case No. SACV07-1334 DOC (ANx).

“Counterclaimants Silverlit Toys Manufactory Ltd.’s and Spin Master’s 1) Reply to Innovage LLC’ Opposition to Ex Parte Application to Shorten Time on Hearing on Motion for Preliminary Injunction, and 2) Opposition to Innovage LLC’s Ex Parte Application for Order to Extend Time to Oppose Motion for Preliminary Injunction”, filed on Dec. 5, 2007, in USDC Case No. SACV07-1334 DOC (ANx).

“Declaration of Lowell Anderson in Opposition to Ex Parte Application to Shorten Time for Hearing on Preliminary Injunction”, filed on Dec. 4, 2007, in USDC Case No. SACV07-1334 DOC (ANx).

“Counterclaim Defendant Merchsource’s Opposition to Ex Parte Application to Shorten Time for Hearing on Motion for Preliminary Injunction”, filed on Dec. 4, 2007, in USDC Case No. SACV07-1334 DOC (ANx).

“Plaintiff Innovage LLC’s Opposition to Defendant Silverlit and Spin Master’s Ex Parte Application for Order to Shorten Time for Hearing on Defendants’ Motion for Preliminary Injunction; Declaration of Barry Messner in Support”, filed on Dec. 4, 2007, in USDC Case No. SACV07-1334 DOC (ANx).

“Plaintiff Innovage LLC’s Ex Parte Application for Order to Extend Time to Oppose Defendants’ Motion for Preliminary Injunction; Memorandum of Points and Authorities; Declaration of Barry Messner”, filed on Dec. 4, 2007, in USDC Case No. SACV07-1334 DOC (ANx).

“Amended Answer, Affirmative Defenses and Counterclaims for: (1) Patent Infringement; (2) Trade Dress Infringement; (3) Unfair Competition and False Designation of Origin; (4) Unfair Competition Under California Business & Professions Code § 17200; and (5) Copyright Infringement”, filed on Dec. 11, 2007, in USDC Case No. SACV07-1334 DOC (ANx).

“Innovage’s Reply in Opposition of Silverlit and Spin Master to Plaintiff Innovage LLC’s Ex Parte Application for Order to Extend Time to Oppose Defendants’ Motion for Preliminary Injunction”, filed on Dec. 7, 2007, in USDC Case No. SACV07-1334 DOC (ANx).

“Counterclaim Defendant Innovage LLC’s Amended Reply and Affirmative Defenses to Counterclaims of Silverlit Toys Manufactory Ltd. and Spin Master Ltd.”, filed on Jan. 9, 2008, in USDC Case No. SACV07-1334 DOC (ANx).

“Order Denying Defendants’ Motion for Preliminary Injunction”, filed on Jan. 8, 2008, in USDC Case No. SACV07-1334 DOC (ANx).

“Counterclaimants Silverlit Toys Manufactory Ltd.’s and Spin Master’s Ltd.’s Objection and Motion to Strike Plaintiff Innovage LLC’s Belated Supplemental Declaration of Francisco Rubio-Campos”, filed on Jan. 4, 2008, in USDC Case No. SACV07-1334 DOC (ANx).

“Supplemental Declaration of Francisco Rubio-Campos in Support of Plaintiff Innovage LLC’s Opposition to Silverlit ad Spin Master’s Motion for Preliminary Injunction”, filed on Jan. 4, 2008, in USDC Case No. SACV07-1334 DOC (ANx).

“Counterclaim Defendant Innovage LLC’s Reply and Affirmative Defenses to Counterclaims of Silverlit Toys Manufactory Ltd. and Spin Master Ltd.”, filed on Dec. 26, 2007, in USDC Case No. SACV07-1334 DOC (ANx).

“Counterclaim Defendant Merchsource LLC’s Answer and Defenses to Counterclaims of Silverlit Toys Manufactory Ltd. and Spin Master Ltd.”, filed on Dec. 26, 2007, in USDC Case No. SACV07-1334 DOC (ANx).

“Answer, Affirmative Defenses and Counterclaims for: (1) Patent Infringement; (2) Trade Dress Infringement; (3) Unfair Competition and False Designation of Origin; and (4) Unfair Competition Under California Business & Professions Code § 17200”, with Exhibits E & F, filed on Dec. 3, 2007, in USDC Case No. SACV07-1334 DOC (ANx).

“Compliant for: 1) Declaratory Judgment of Invalidity and Non-Infringement of Certain Design Patents; 2) Declaratory Judgment of Invalidity and Non-Infringement of Trade Dress”, filed on Nov. 13, 2007, in USDC Case No. SACV07-1334 DOC (ANx).

Photo of portion of PicooZ product package; Silverlit 2006 Product Catalog (5 pages total).

Partial International Search from PCT/US2006/047982.

Photographic prior art reference, Dragonfly helicopter (4 pages).

Piccolino: 1.69 gram RC helicopter—RCGroups.com, <http://www.rcgroups.com/forums/showthread.php?t=509295> (6 pages).

Selberg, B.P.; Cronin, D.L.; Rokhsaz, K.; Dykman, J.R., Yager, C. J. “Aerodynamic-Structural Analysis of Dual Bladed Helicopter Systems (Field Technical Report”, Report No. NASA-CR-162754, Feb. 1980 46p (Abstract).

Ham, Normand. Helicopter individual-blade-control research at MIT 1977-1985; DGLR, European Rotorcraft Forum, 12th, Garmisch-Partenkirchen, West Germany; Germany, Federal Republic of; Sep. 22-25, 1986 10 pp. 1986 (Abstract).

International Search from PCT/US2008/051938.

Website reference, en.wikipedia.org/wiki/Kamov_Ka-50, Kamov Ka-50, Jun. 19, 2004 (6 pages).

Photographic reference, en.wikipedia.org/wiki/Image:Kamov_Ka-50_MAKS-2005.jpg, Aug. 28, 1995.

Photographic reference, www.fas.org/man/dod-101/sys/ac/row/ka-50-hokum.jpg, Aug. 28, 1995.

Photographic reference, www.aviastar.org/foto/ka-50_1.jpg, Aug. 28, 1995.

Website reference, web.archive.org/web/20050225044931/http://www.silverlit.com (2 pages), Jun. 5, 2007.

Website reference, web.archive.org/web/20060616140712/boeing.com/rotorcraft/military/ah64d/index.htm, Nov. 23, 2001 (2 pages).

Website reference, en.wikipedia.org/wiki/AH-64_Apache, Jul. 16, 2004 (11 pages).

Website reference, <http://www.globalsecurity.org/military/systems/aircraft/ah-64d.htm>, Nov. 7, 2001 (6 pages).

Photographic reference, www.fas.org/man/dod-101/sys/ac/ah-64.gif, Aug. 19, 2000.

Photographic reference, en.wikipedia.org/wiki/Image:P320007.jpg, 1981 (3 pages).

Photographic reference, www.fas.org/man/dod-101/sys/ac/ah-64d_001.jpg, Mar. 21, 1997.

Photographic reference, www.fas.org/man/dod-101/sys/ac/ah-64d-image83.jpg, Aug. 19, 2000.

Photographic reference, www.fas.org/man/dod-101/sys/ac/ah-64d-longbow1.jpg, Aug. 19, 2000.

Photographic reference, www.fas.org/man/dod-101/sys/ac/ah-64-dvic294.jpg, Feb. 2, 2003.

Photographic reference, www.voodoo.cz/ah64/pics/ah115.jpg, Jun. 14, 2001.

Photographic reference, www.voodoo.cz/ah64/pics/ah122.jpg, Jan. 10, 2002.

Photographic reference, www.voodoo.cz/ah64/pics/ah106.jpg, Jan. 9, 2002.

Photographic reference, www.voodoo.cz/ah64/pics/ah112.jpg, Aug. 22, 2002.

Photographic reference, www.voodoo.cz/ah64/pics/ah092.jpg, Jan. 8, 2002.

Photographic reference, www.voodoo.cz/ah64/pics/ah153.jpg, Apr. 4, 2002.

- Photographic reference, www.voodoo.cz/ah64/pics/ah149.jpg, Jul. 8, 2000.
- Photographic reference, www.voodoo.cz/ah64/pics/ah051.jpg, Jan. 8, 2002.
- Photographic reference, www.voodoo.cz/ah64/pics/ah049.jpg, Mar. 15, 2002.
- Photographic reference, www.voodoo.cz/ah64/pics/ah027.jpg, May 8, 1999.
- Photographic reference, www.voodoo.cz/ah64/pics/ah010.jpg, Jul. 8, 2000.
- Photographic reference, www.voodoo.cz/ah64/pics/ah003.jpg, Sep. 1, 2001.
- Photographic reference, www.airforceworld.com/heli/gfx/ah64/wah64_1.jpg, 1991.
- Photographic reference, www.fas.org/man/dod-101/sys/ac/ah-64a-990421-F-2095R-004.jpg, Aug. 19, 2000.
- Photographic reference, www.fas.org/man/dod-101/sys/ac/ah-64-dvic292.jpg, Aug. 19, 2000.
- Website reference, www.runryder.com/helicopter/t285494p1/, Jun. 12, 2007 (10 pages).
- Website reference, web.archive.org/web/20031218200732/http://www.scarlet.be/pixel/pixeli111.htm, Dec. 18, 2003 (7 pages).
- Website reference, web.archive.org/web/20031017234927/http://www.scarlet.be/pixel/pixelfp.htm, Oct. 17, 2003 (2 pages).
- Website reference, web.archive.org/web/20031218061901/http://pixelito.reference.be/, Dec. 18, 2003 (4 pages).
- Website reference, www.aviastar.org/helicopters_eng/breguet-dorand.php, 1935 (4 pages).
- Website reference, www.lionheartcreations.com/Lionheartsflightsimsite_page7.html, May 6, 2004 (4 pages).
- Website reference, www.lionheartcreations.com/FalconE.html, Jun. 22, 2004 (2 pages).
- Photographic reference, www.rotaryaction.com/images/airwolf4.jpg, 1984.
- Website reference, www.rotaryaction.com/pages/airwolf.html, 1984 (3 pages).
- Photographic prior art reference #1, helicopter.
- Photographic prior art reference #2, helicopter displaying writing in French on tail.
- Photographic prior art reference #3, explanation of the function of a flybar.
- Photographic prior art reference #4, toy helicopter, www.raidentech.com.
- Photographic prior art reference #5, toy helicopter.
- Photographic prior art reference #6, helicopter.
- Photographic prior art reference #7, helicopter with M40297 or MA0297 displayed on tail.
- Photographic prior art reference #8, toy helicopter #AHS-23900, hstoy.en.alibaba.com.
- Photographic prior art reference #9, toy helicopter, toys999.en.alibaba.com.
- Mill, Colin. "Practical Theories, Part 9", W3MH—World Wide Web Model *Helicopter Magazine*, Jul. 1996, <http://www.w3mh.co.uk/articles/html/csm9-11.htm>.
- Day, David. "Moving Swashplates & CCPM", 2001-2006. See <http://www.iroquois.free-online.co.uk>.
- Pryun, Richard R. "In-flight measurement of rotor blade airloads, bending moments, and motions, together with rotor shaft loads and fuselage vibration, on a tandem rotor helicopter", *Boeing*, Nov. 1967 (Abstract, 1 pg).
- Brahmananda, et al. "Application of passive dampers to modern helicopters", *Smart Mater*, 1996 <http://www.iop.org/EJ/abstract/0964-1726/5/5/001> (Abstract, 1 pg).
- <http://www.microhelicopters.net> (3 pgs), (Jul. 7, 2008).
- Castillo, et al. "Real-time stabilization and tracking of a four-rotor mini rotorcraft", *IEEE*, Jul. 2004 http://www.ieeexplore.org/xpl/freeabs_all.jsp?arnumber=1308180 (1 pg).
- "Structural Components, Design of Tilt-Rotor JVX Near Completion", *Aviation Week & Space Technology*, vol. 122, No. 2, p. 84, Jan. 14, 1985 (10 pgs).
- European Search Opinion dated Jun. 10, 2008, in EP 06 845 583.1.

* cited by examiner

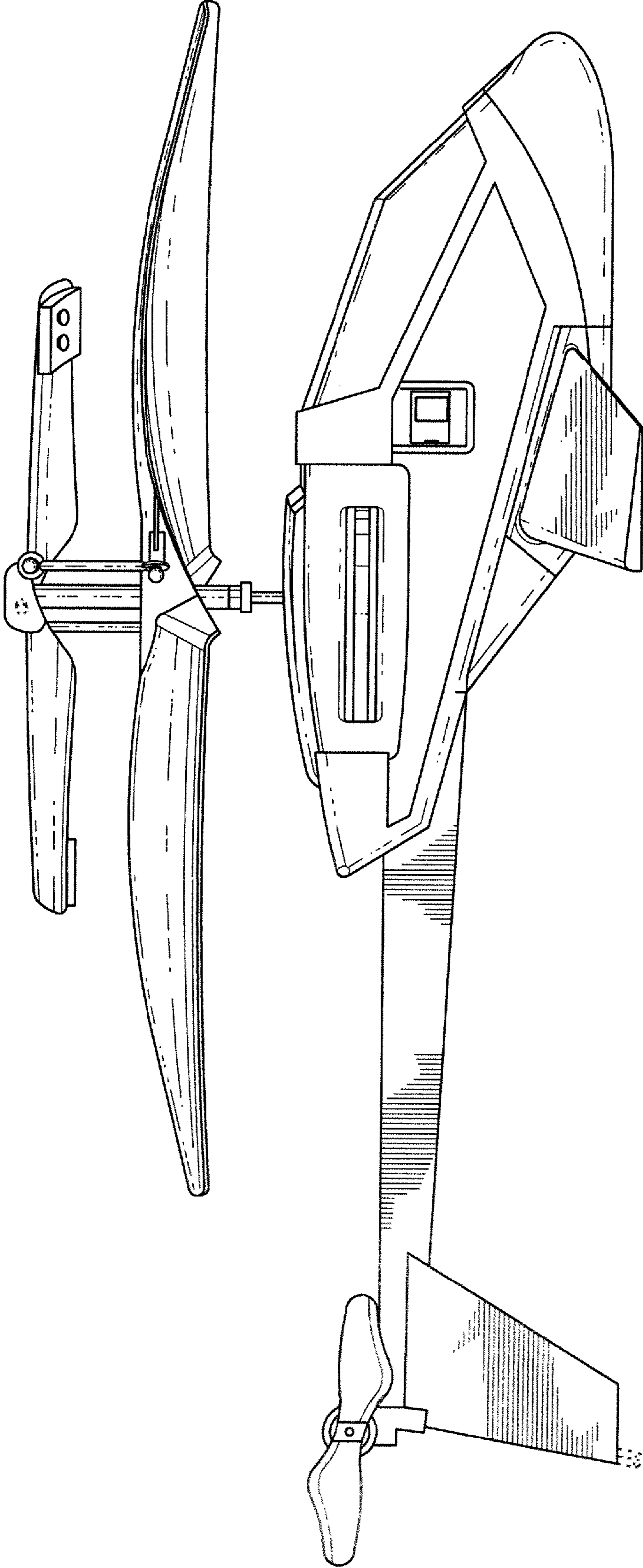


FIG. 1

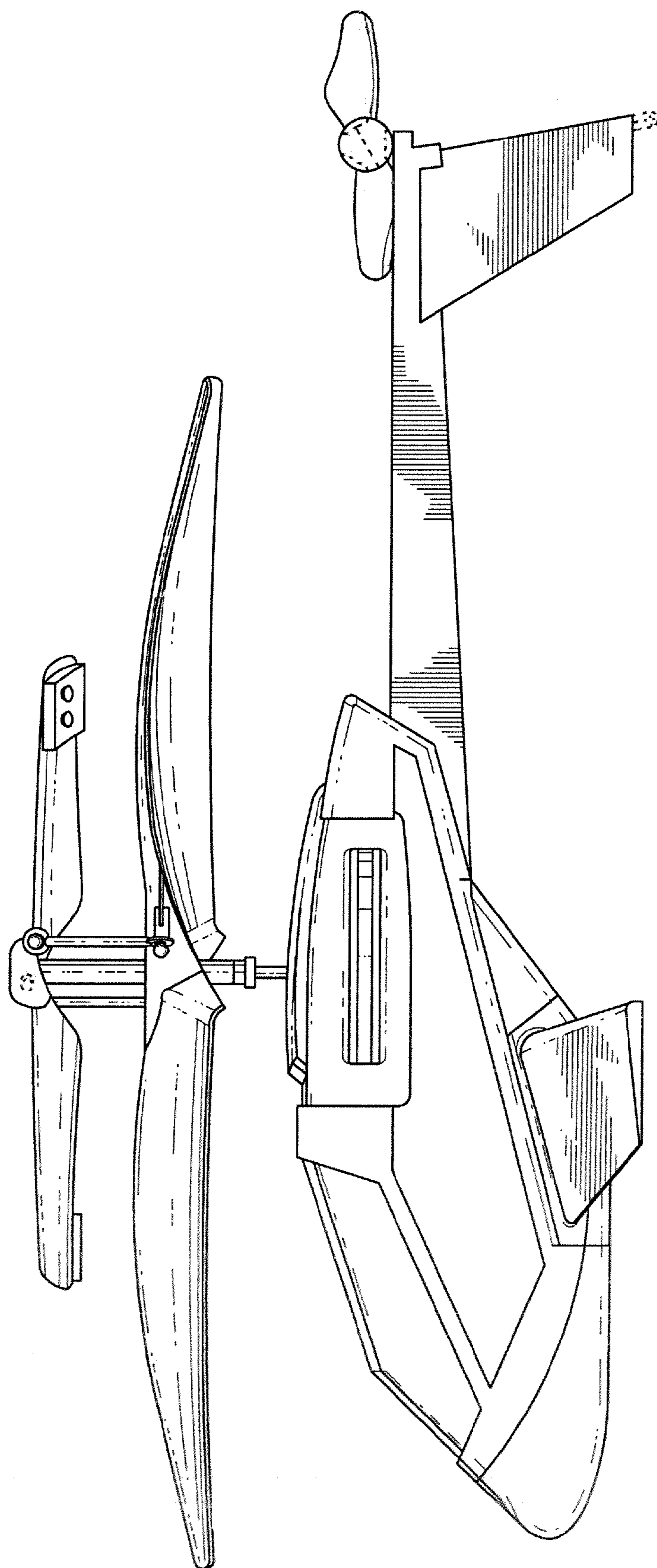


FIG. 2

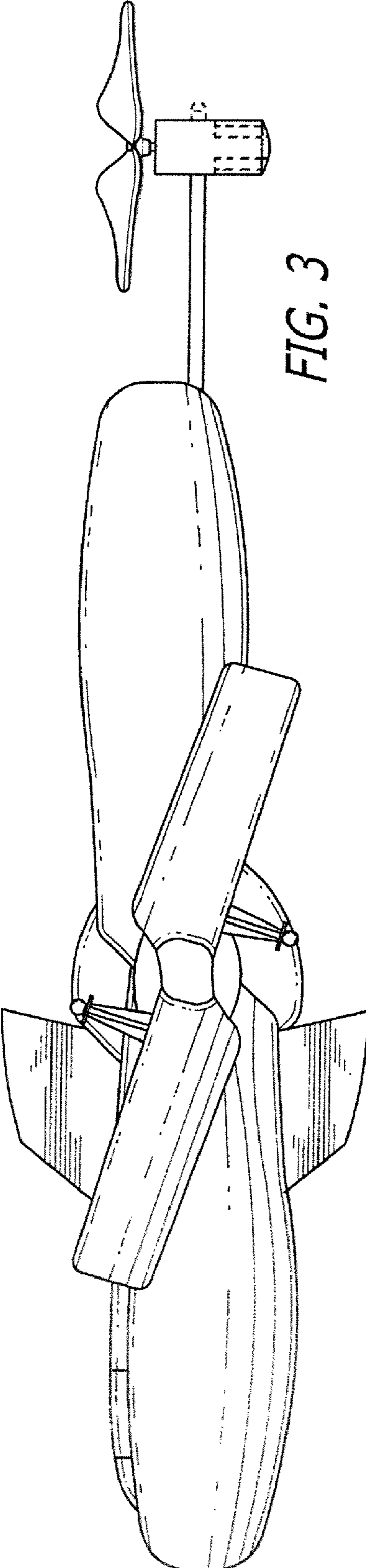


FIG. 3

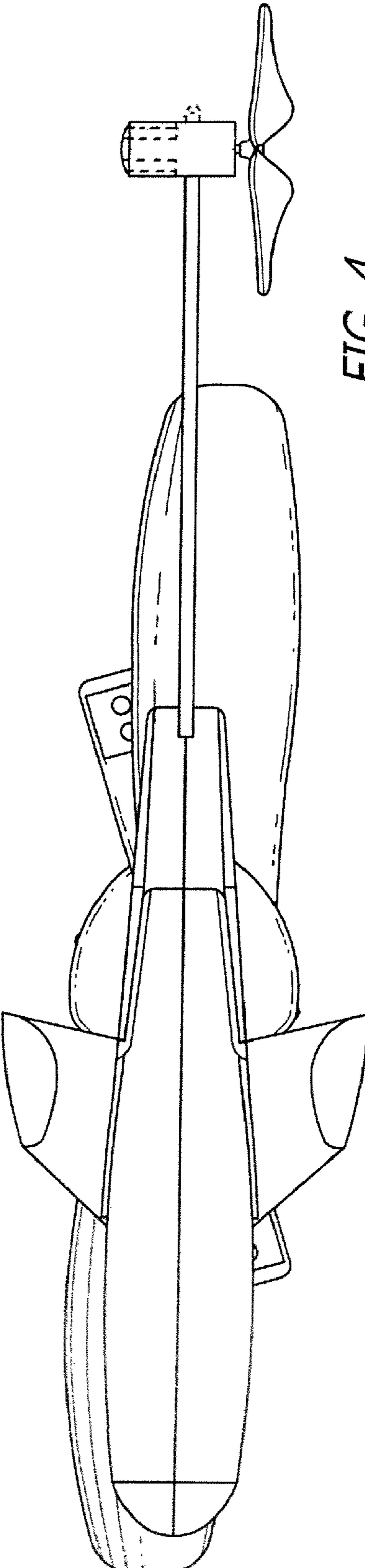


FIG. 4

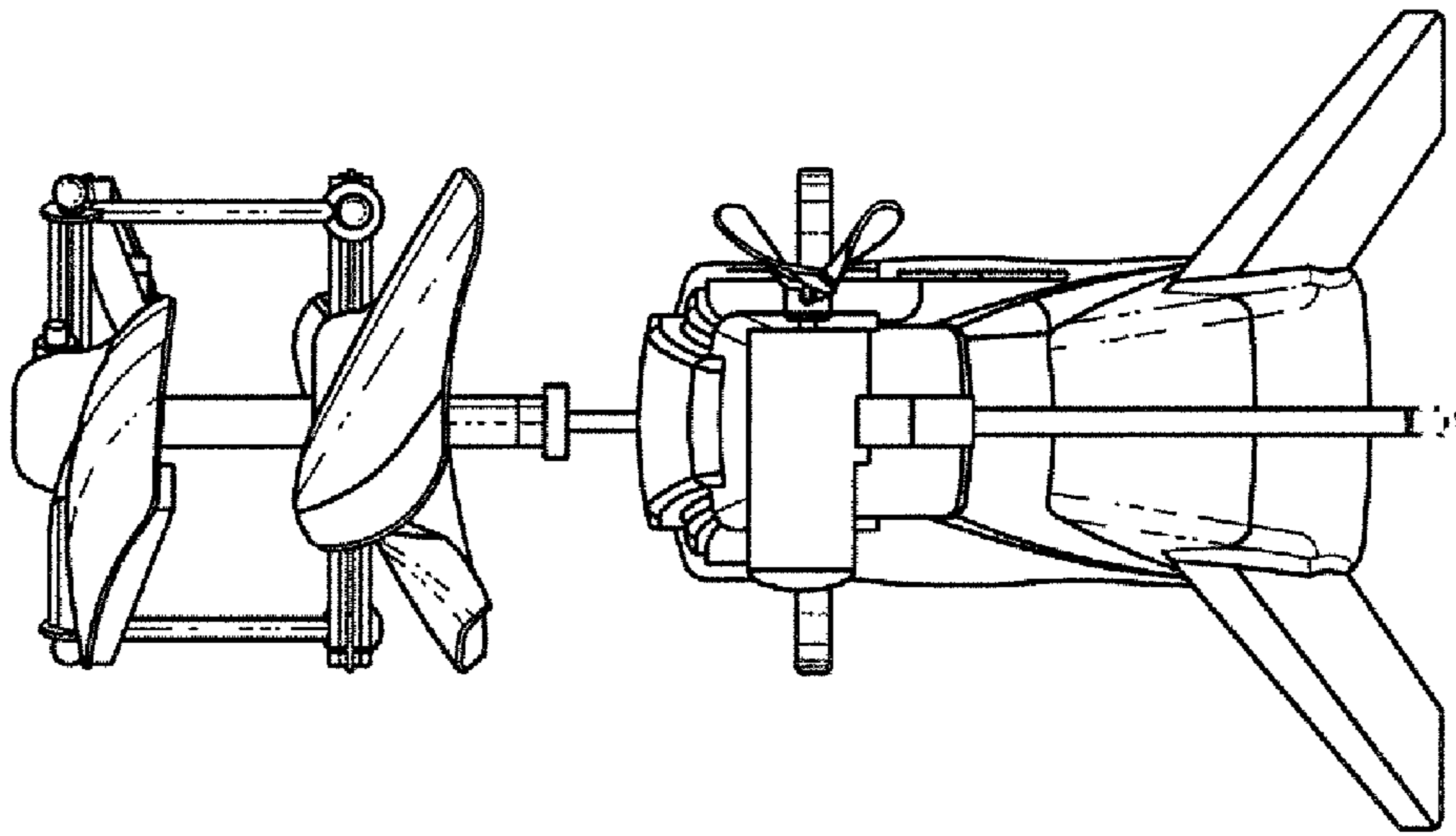


FIG. 6

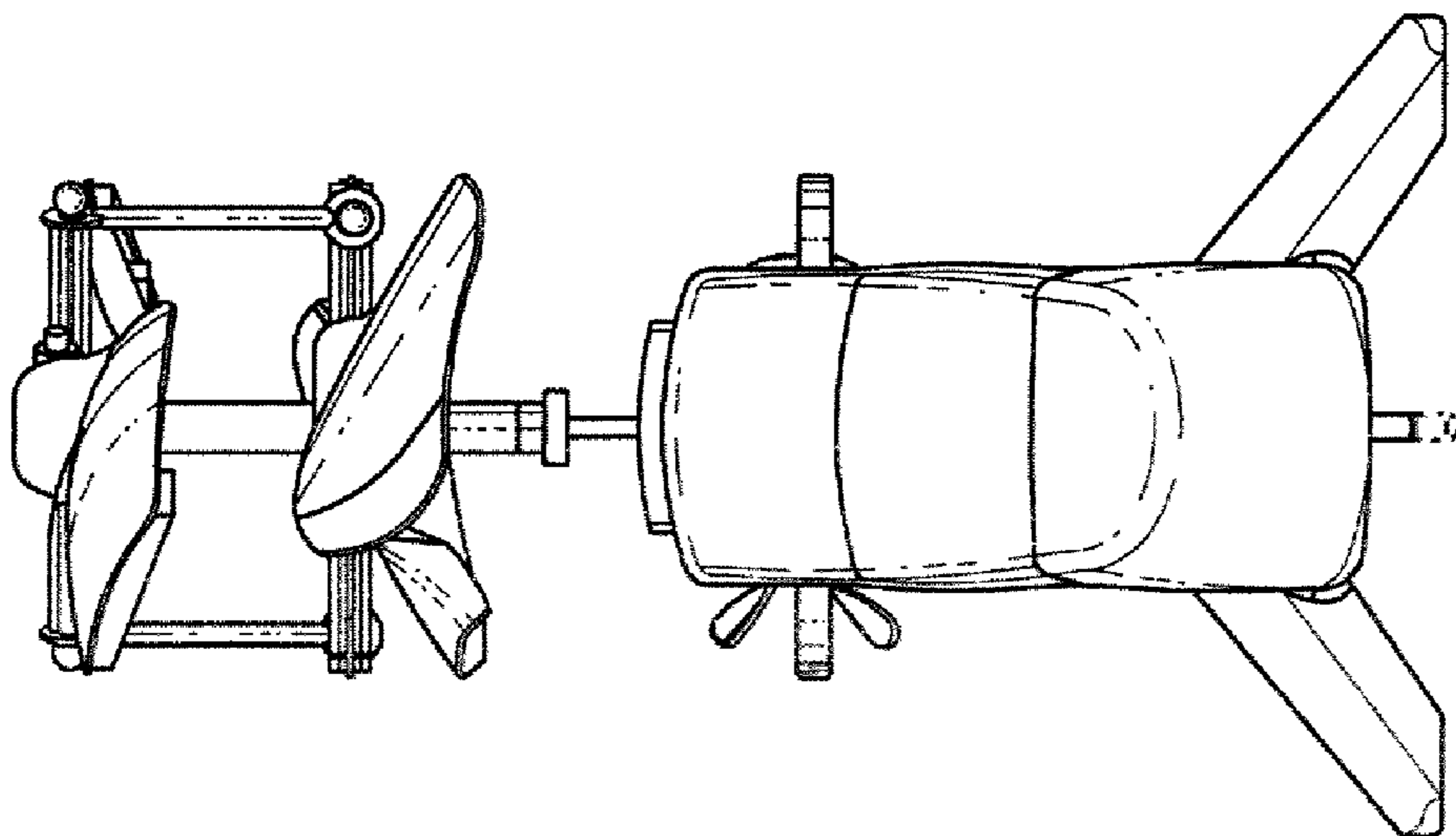


FIG. 5