



US00D580844S

(12) **United States Design Patent**  
**Rohden et al.**

(10) **Patent No.:** **US D580,844 S**

(45) **Date of Patent:** **\*\* Nov. 18, 2008**

(54) **SHIP**

(75) Inventors: **Rolf Rohden**, Aurich (DE); **Dirk Holtkamp**, Aurich (DE); **Thomas Bohlen**, Sudbrookmerland (DE)

(73) Assignee: **Aloys Wobben**, Aurich (DE)

(\*\*) Term: **14 Years**

(21) Appl. No.: **29/304,383**

(22) Filed: **Feb. 29, 2008**

(30) **Foreign Application Priority Data**

Sep. 3, 2007 (EM) ..... 783 733

(51) **LOC (8) Cl.** ..... **12-06**

(52) **U.S. Cl.** ..... **D12/300**

(58) **Field of Classification Search** ..... D12/300,  
D12/301, 304, 315, 317, 318; D21/542,  
D21/543; 114/72, 73, 258-262

See application file for complete search history.

(56) **References Cited**

**U.S. PATENT DOCUMENTS**

D131,909 S \* 4/1942 Bartholomew ..... D12/315  
D140,505 S \* 3/1945 Hannevig ..... D12/315  
D188,923 S \* 9/1960 Gongwer ..... D12/315

D221,406 S \* 8/1971 Kimon ..... D12/315  
D342,715 S \* 12/1993 Garrett ..... D12/300  
D414,457 S \* 9/1999 Barbier et al. .... D12/304  
D465,189 S \* 11/2002 Brooks et al. .... D12/300  
D522,440 S \* 6/2006 Brooks et al. .... D12/300  
D536,657 S \* 2/2007 Rohden et al. .... D12/300  
2002/0178988 A1 \* 12/2002 Bowen et al. .... 114/259

\* cited by examiner

*Primary Examiner*—Holly H. Baynham

*Assistant Examiner*—Cynthia M Chin

(74) *Attorney, Agent, or Firm*—Seed IP Law Group PLLC

(57) **CLAIM**

The ornamental design for a ship, as shown and described.

**DESCRIPTION**

FIG. 1 is a front, top, left isometric view of our new design for a ship;

FIG. 2 is a left side elevational view of the design of FIG. 1;

FIG. 3 is a right side elevational view of the design of FIG. 1;

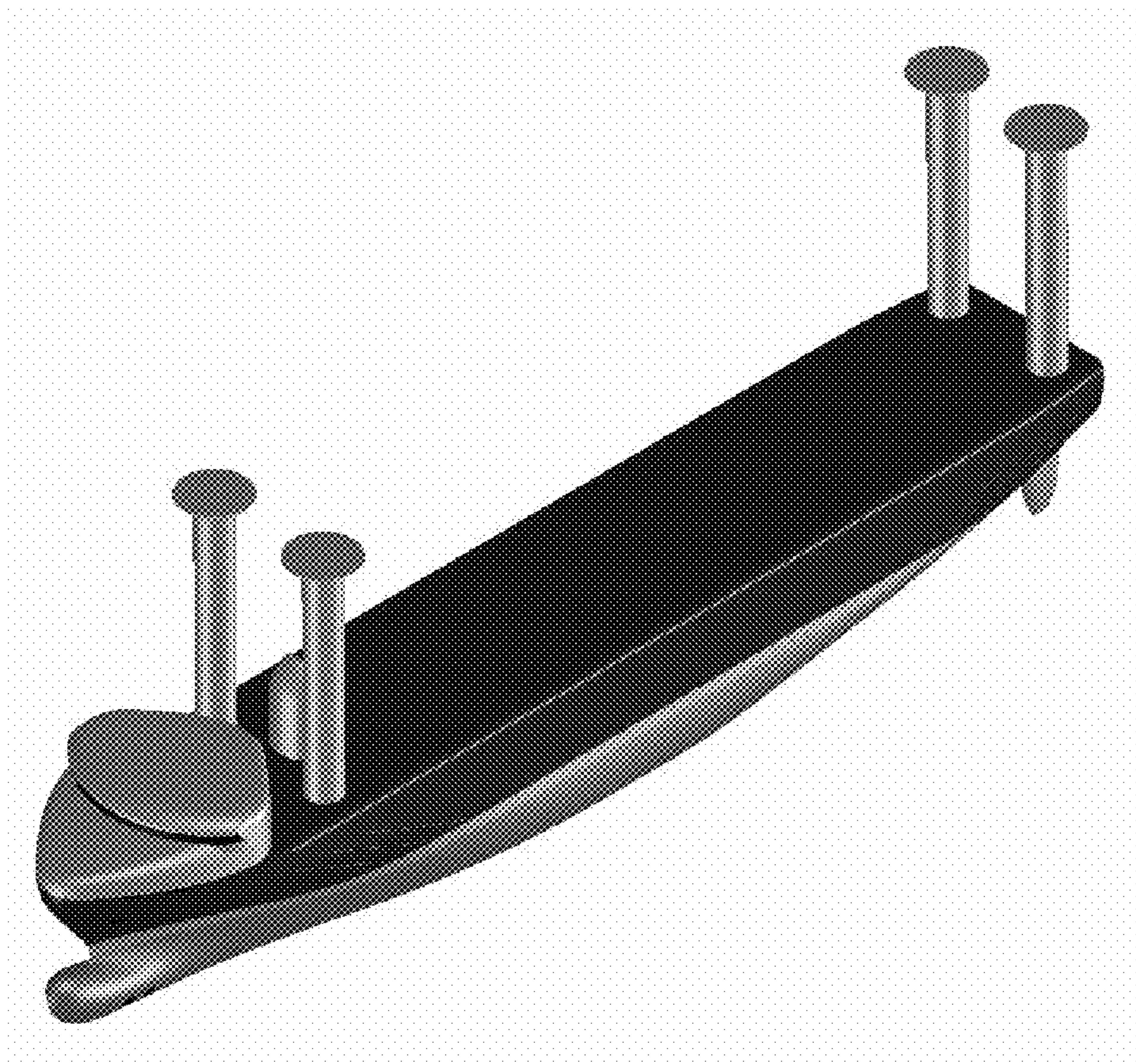
FIG. 4 is a front elevational view of the design of FIG. 1;

FIG. 5 is a rear elevational view of the design of FIG. 1;

FIG. 6 is a top plan view of the design of FIG. 1; and,

FIG. 7 is a bottom plan view of the design of FIG. 1.

**1 Claim, 4 Drawing Sheets**





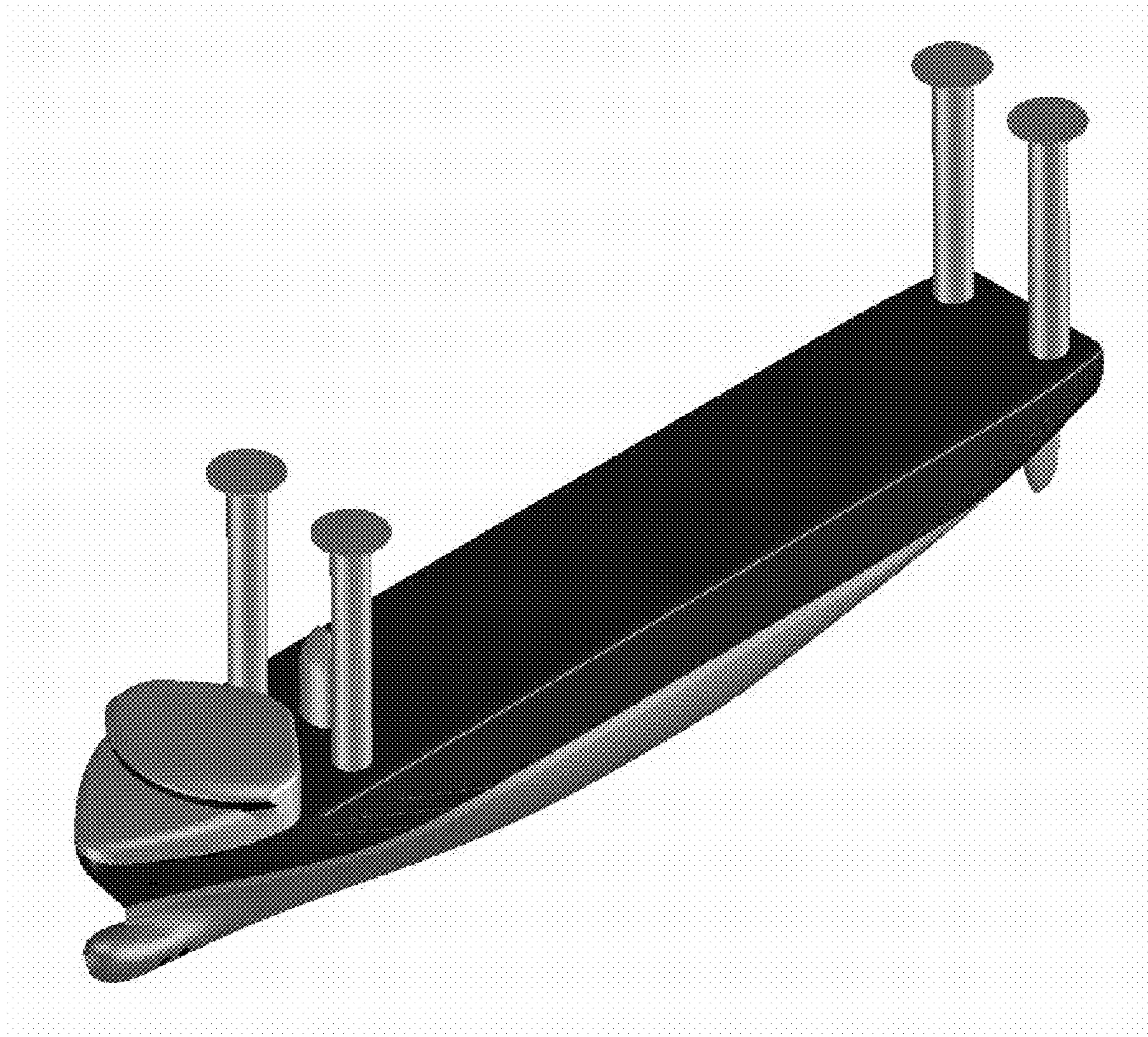


Fig. 1

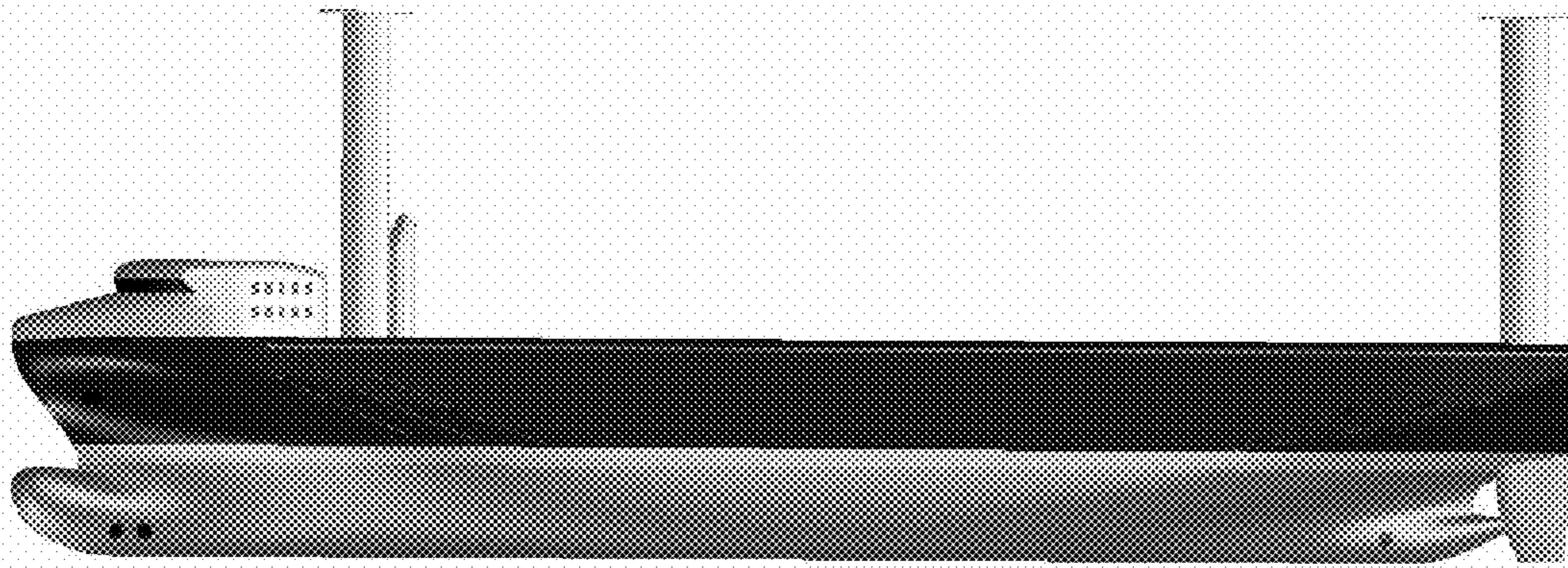


Fig. 2



Fig. 3



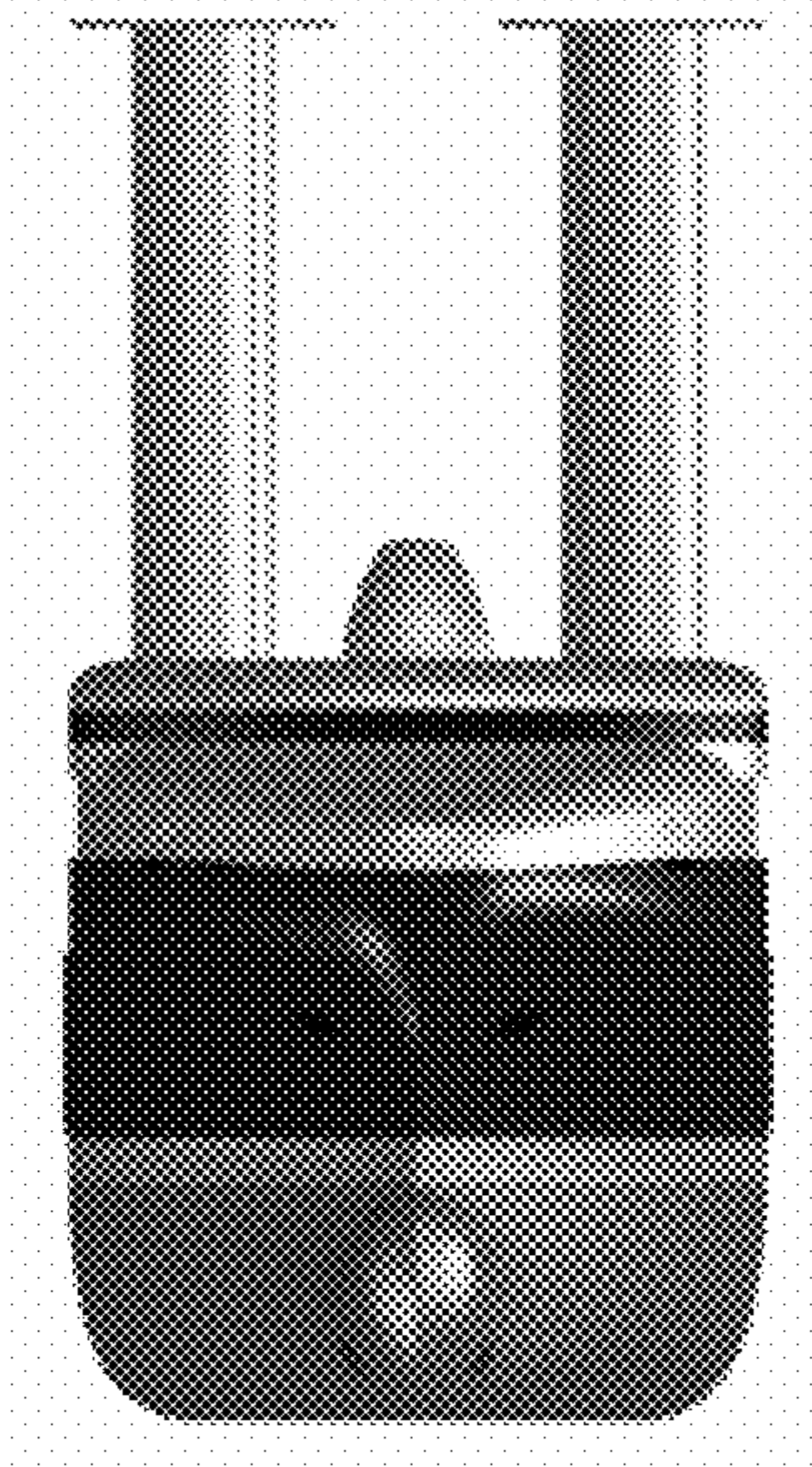


Fig. 4

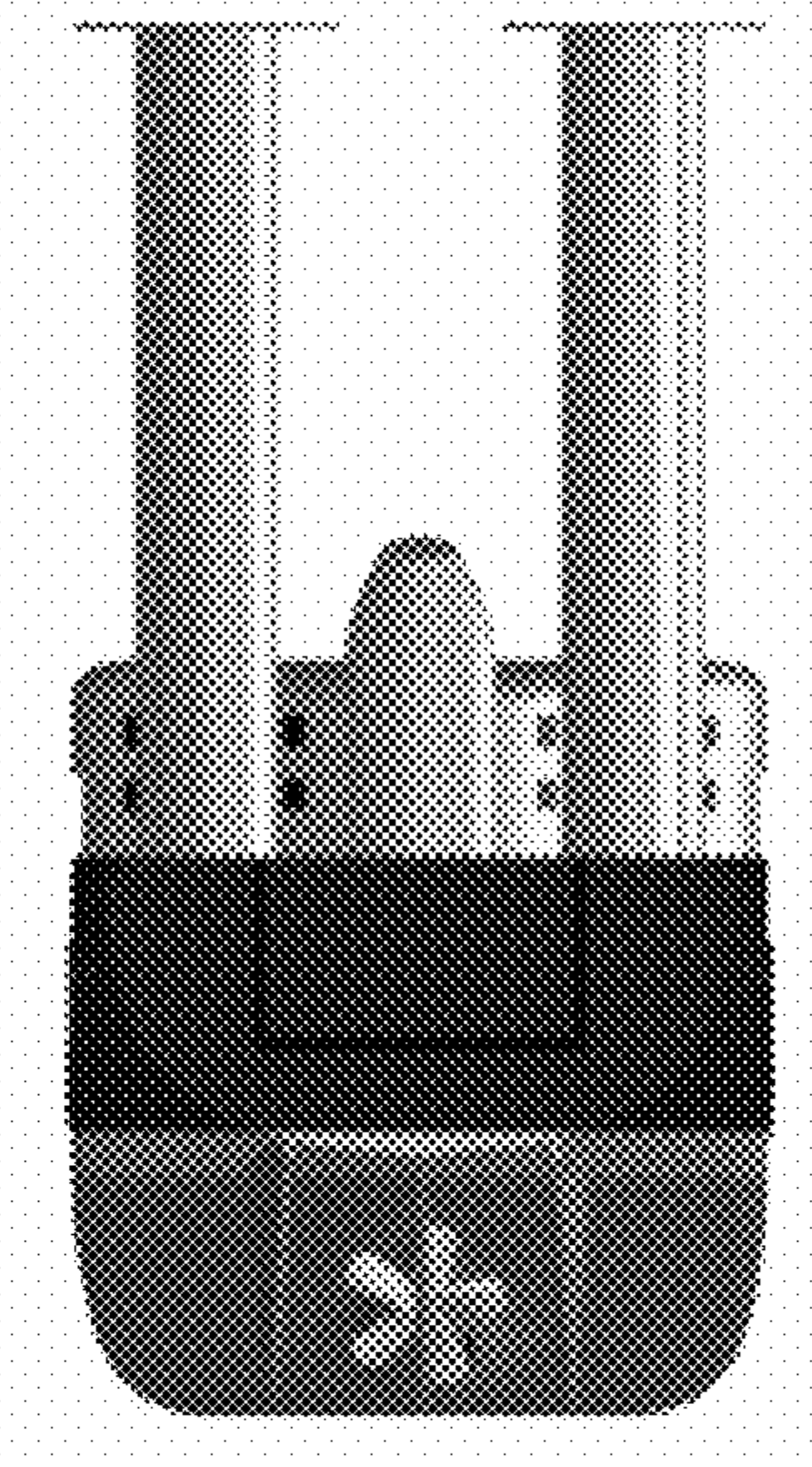


Fig. 5

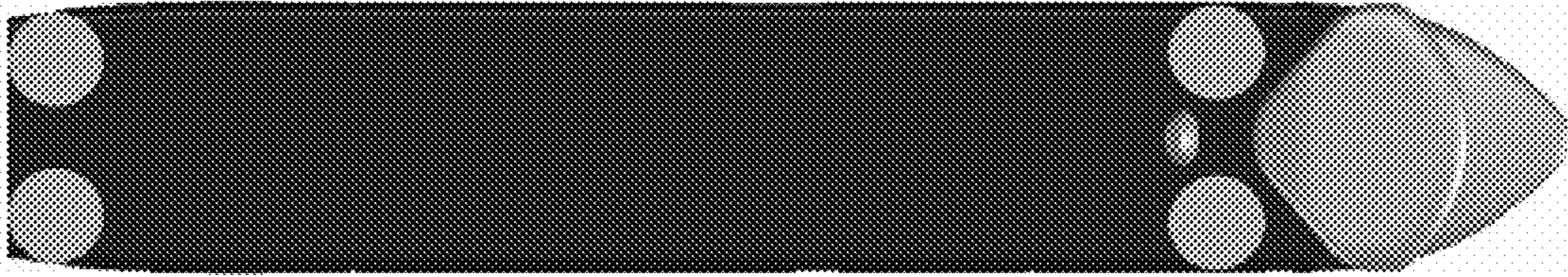


Fig. 6

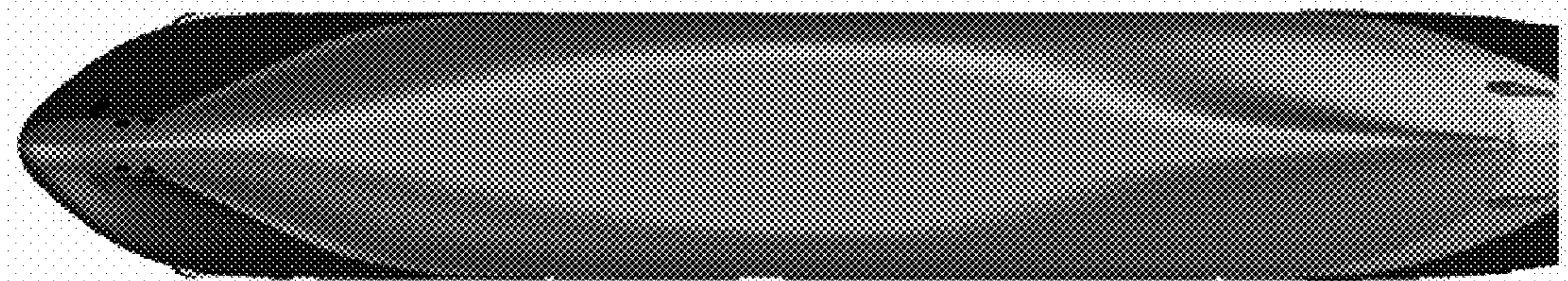


Fig. 7