



US00D580843S

(12) **United States Design Patent**
Gilmour

(10) **Patent No.:** **US D580,843 S**

(45) **Date of Patent:** **** Nov. 18, 2008**

(54) **ANCHOR**

(75) Inventor: **Roydon John Gilmour**, Greenhithe
(NZ)

(73) Assignee: **ITW New Zealand Limited**, Auckland
(NZ)

(**) Term: **14 Years**

(21) Appl. No.: **29/299,437**

(22) Filed: **Dec. 26, 2007**

(30) **Foreign Application Priority Data**

Jun. 27, 2007 (NZ) 409335

(51) **LOC (8) Cl.** **12-16**

(52) **U.S. Cl.** **D12/215**

(58) **Field of Classification Search** D12/215;
114/294, 298

See application file for complete search history.

(56) **References Cited**

U.S. PATENT DOCUMENTS

D193,536 S * 9/1962 Duckett D8/372

7,302,904 B2 * 12/2007 Burns 114/294

* cited by examiner

Primary Examiner—Lisa P Lichtenstein

(74) *Attorney, Agent, or Firm*—Lowe, Hauptman, Ham &
Berner, LLP

(57) **CLAIM**

The ornamental design for an anchor, as shown and described.

DESCRIPTION

FIG. 1 is a top plan view of an anchor, the bottom view being a mirror image of FIG. 1;

FIG. 2 is a front end view of the anchor;

FIG. 3 is a front, top, left perspective view of the anchor;

FIG. 4 is a bottom, rear, left perspective view of the anchor;

FIG. 5 is a top, rear, left perspective view of the anchor;

FIG. 6 is a right side view of the anchor, the left side view being a mirror image of FIG. 6;

FIG. 7 is a top, front, right perspective view of the anchor; and,

FIG. 8 is a rear end view of the anchor.

1 Claim, 8 Drawing Sheets

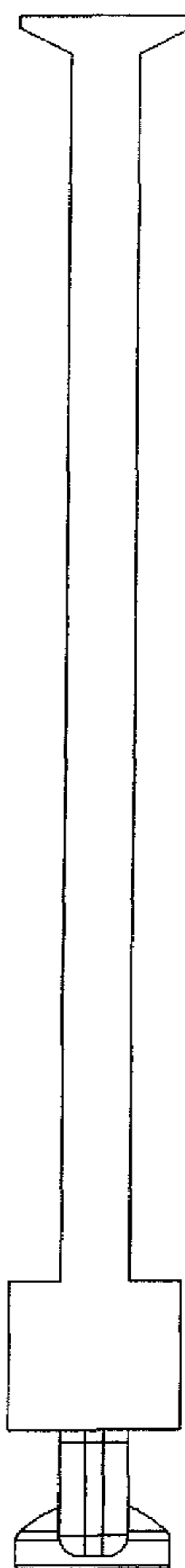


FIG. 1

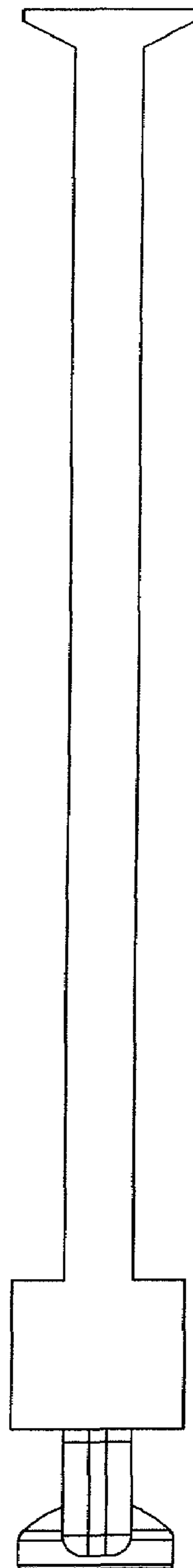


FIG. 2

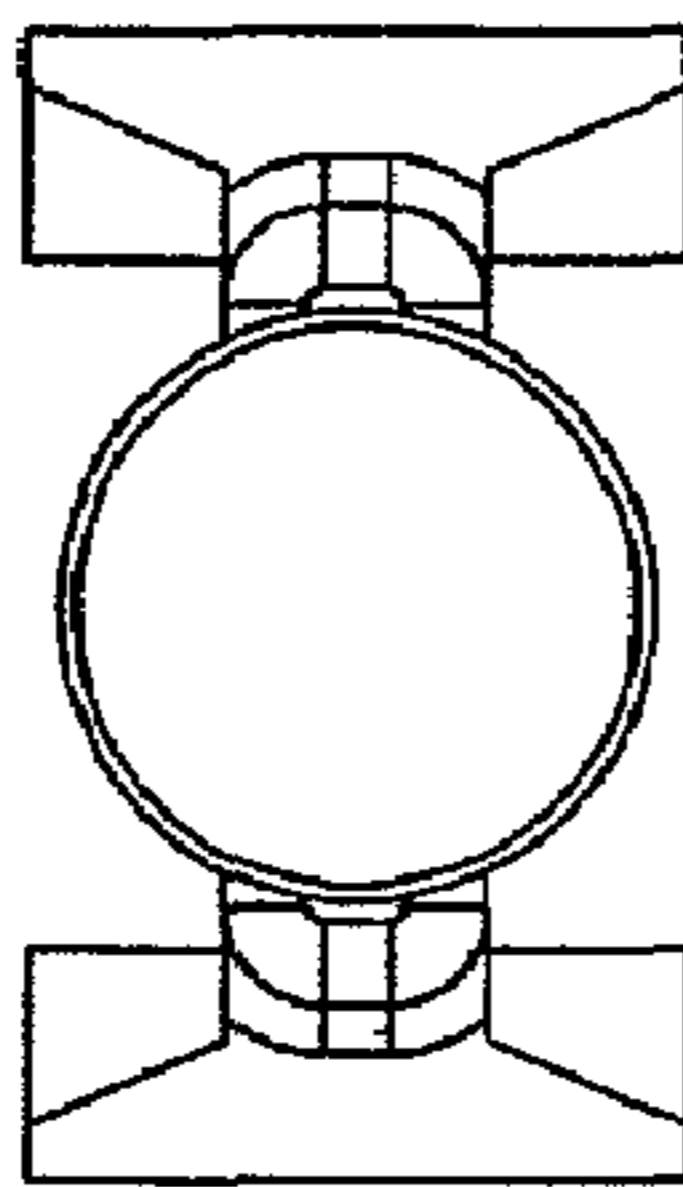


FIG. 3

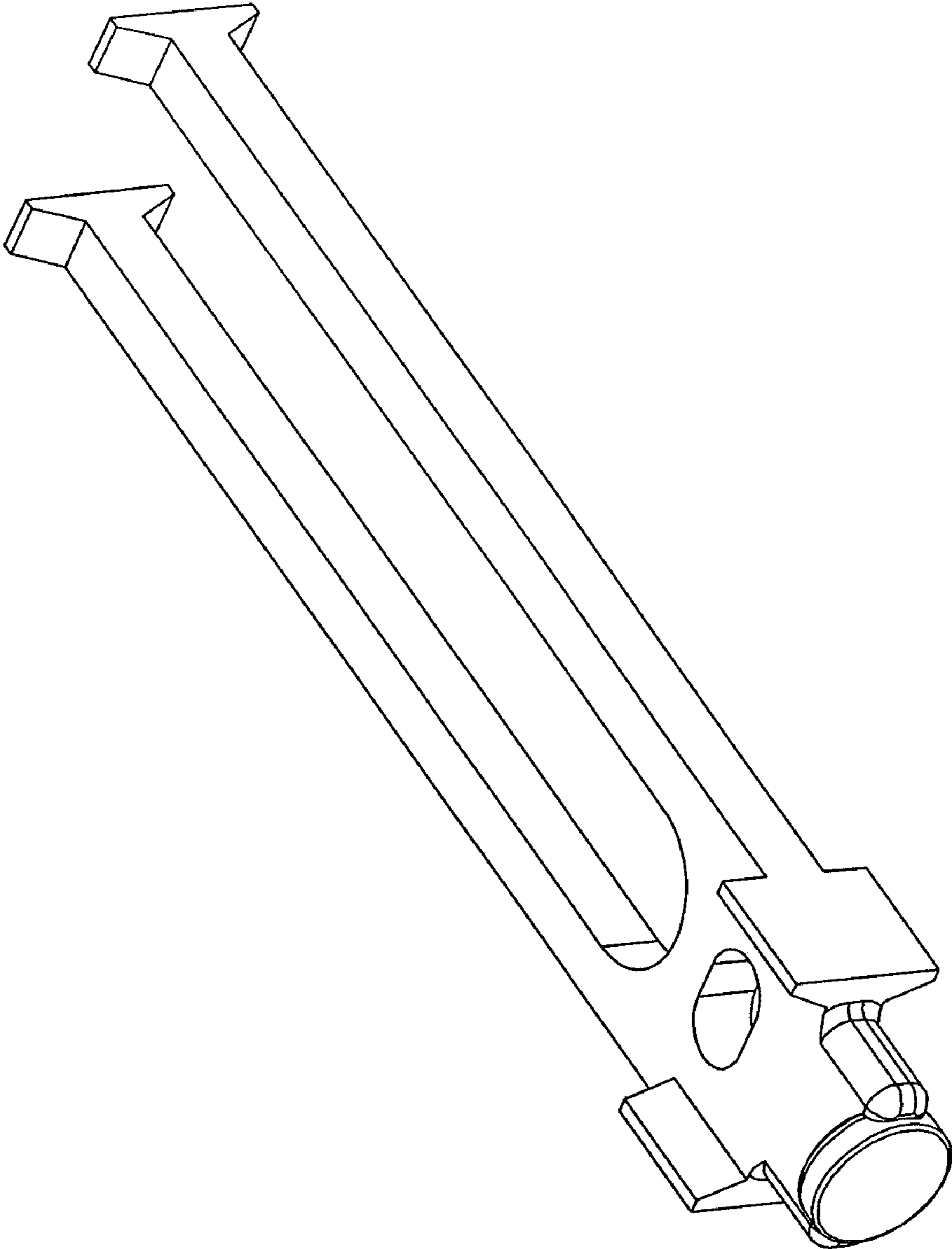


FIG. 4

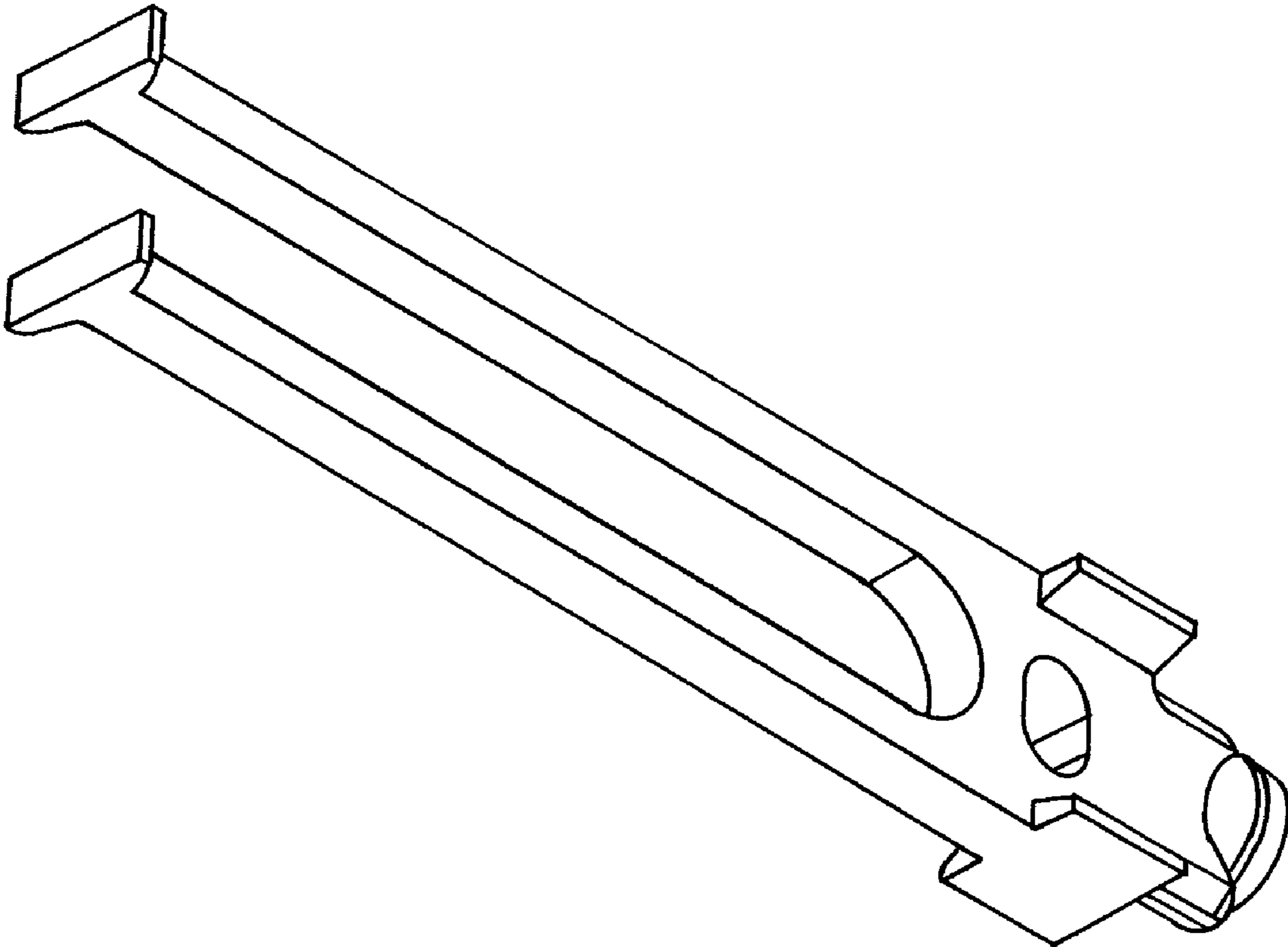


FIG. 5

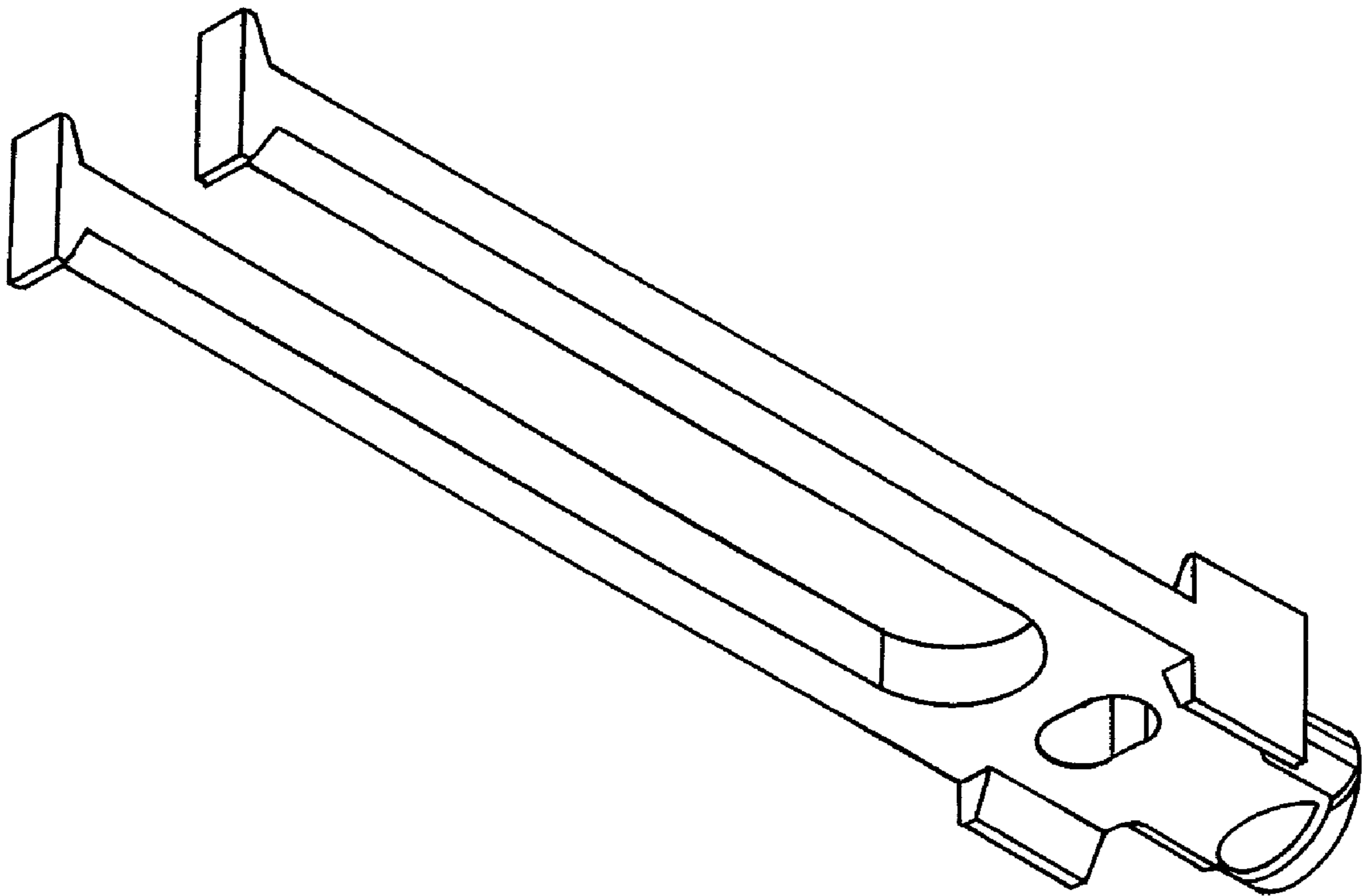


FIG. 6

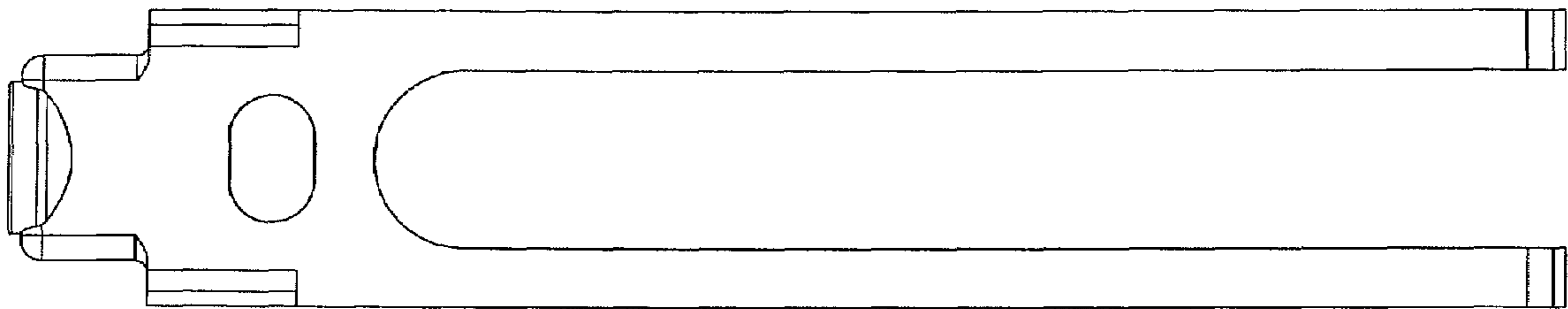


FIG. 7

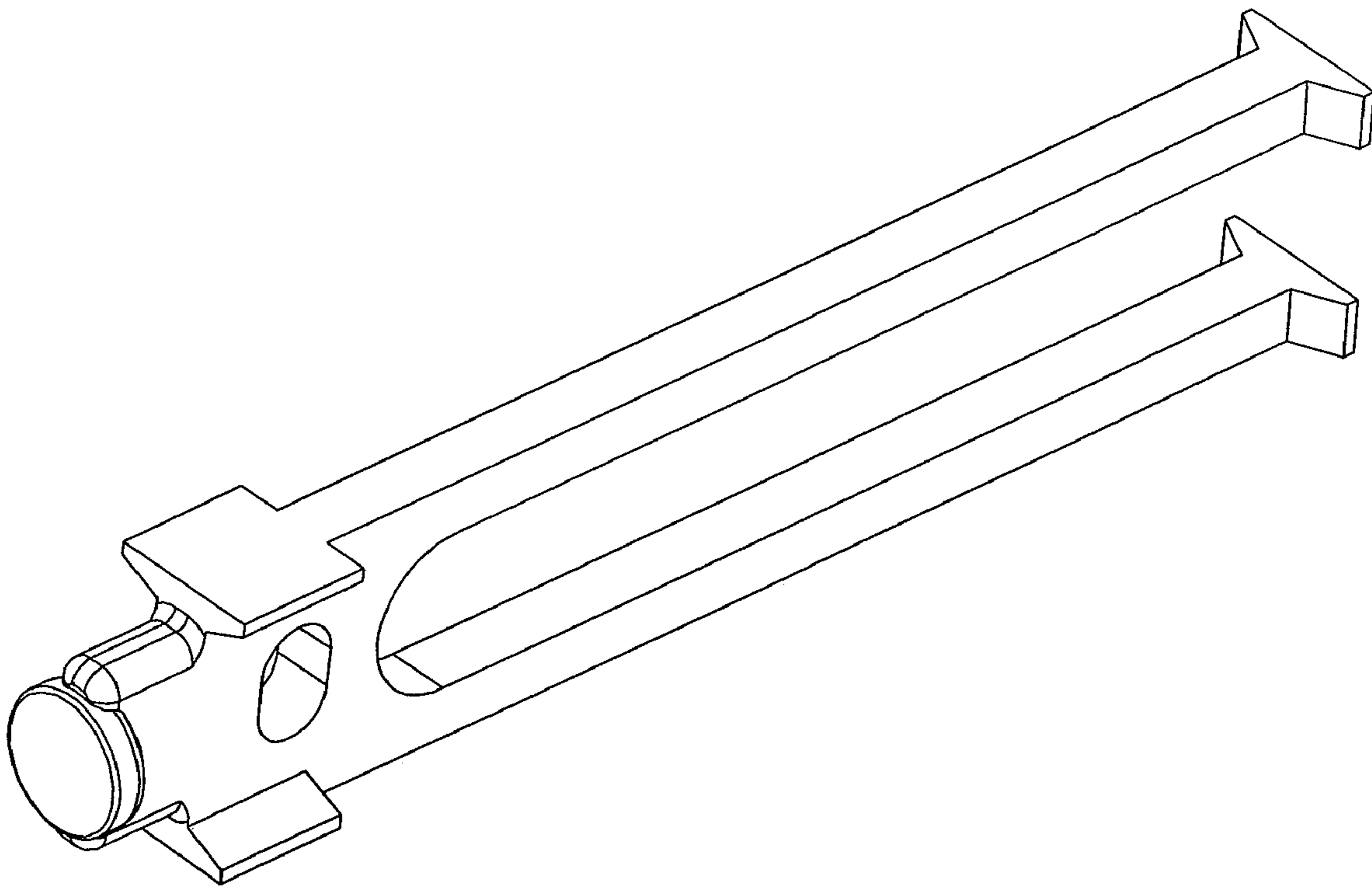


FIG. 8

