



US00D580842S

(12) **United States Design Patent**
Kim

(10) **Patent No.:** **US D580,842 S**

(45) **Date of Patent:** **** Nov. 18, 2008**

(54) **AUTOMOTIVE WHEEL**

(75) Inventor: **Paul J. Kim**, Industry, CA (US)

(73) Assignee: **The Wheel Group**, Industry, CA (US)

(**) Term: **14 Years**

(21) Appl. No.: **29/301,139**

(22) Filed: **Feb. 13, 2008**

(51) **LOC (8) Cl.** **12-16**

(52) **U.S. Cl.** **D12/211**

(58) **Field of Classification Search** D12/204-213;
301/37.101, 64.101, 65, 64.201

See application file for complete search history.

(56) **References Cited**

U.S. PATENT DOCUMENTS

D433,659 S * 11/2000 Frizzi D12/211

D466,853 S * 12/2002 Maifrini D12/211

D522,432 S * 6/2006 Pfeiffer D12/209

D530,257 S * 10/2006 Pfeiffer D12/211

D563,305 S * 3/2008 Schweizer D12/211

D567,735 S * 4/2008 Young D12/209

* cited by examiner

Primary Examiner—Stacia Cadmus

(57) **CLAIM**

The ornamental design for an automotive wheel, as shown and described.

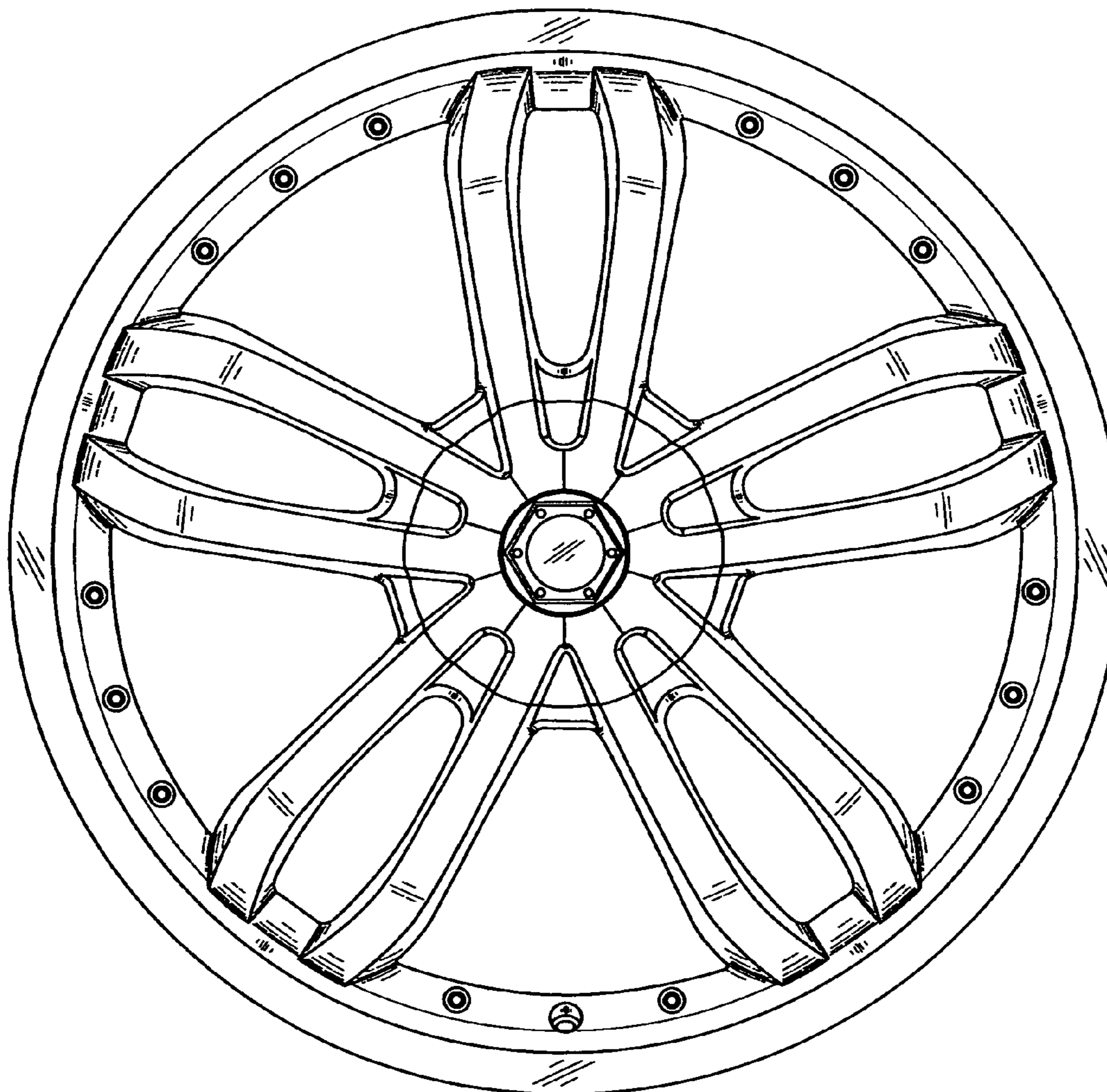
DESCRIPTION

FIG. 1 is a perspective view of an automotive wheel showing my new design; and,

FIG. 2 is a front elevational view of an automotive wheel showing the design herein described.

The broken lines are for illustrative purposes only, and form no part of the claimed design.

1 Claim, 2 Drawing Sheets



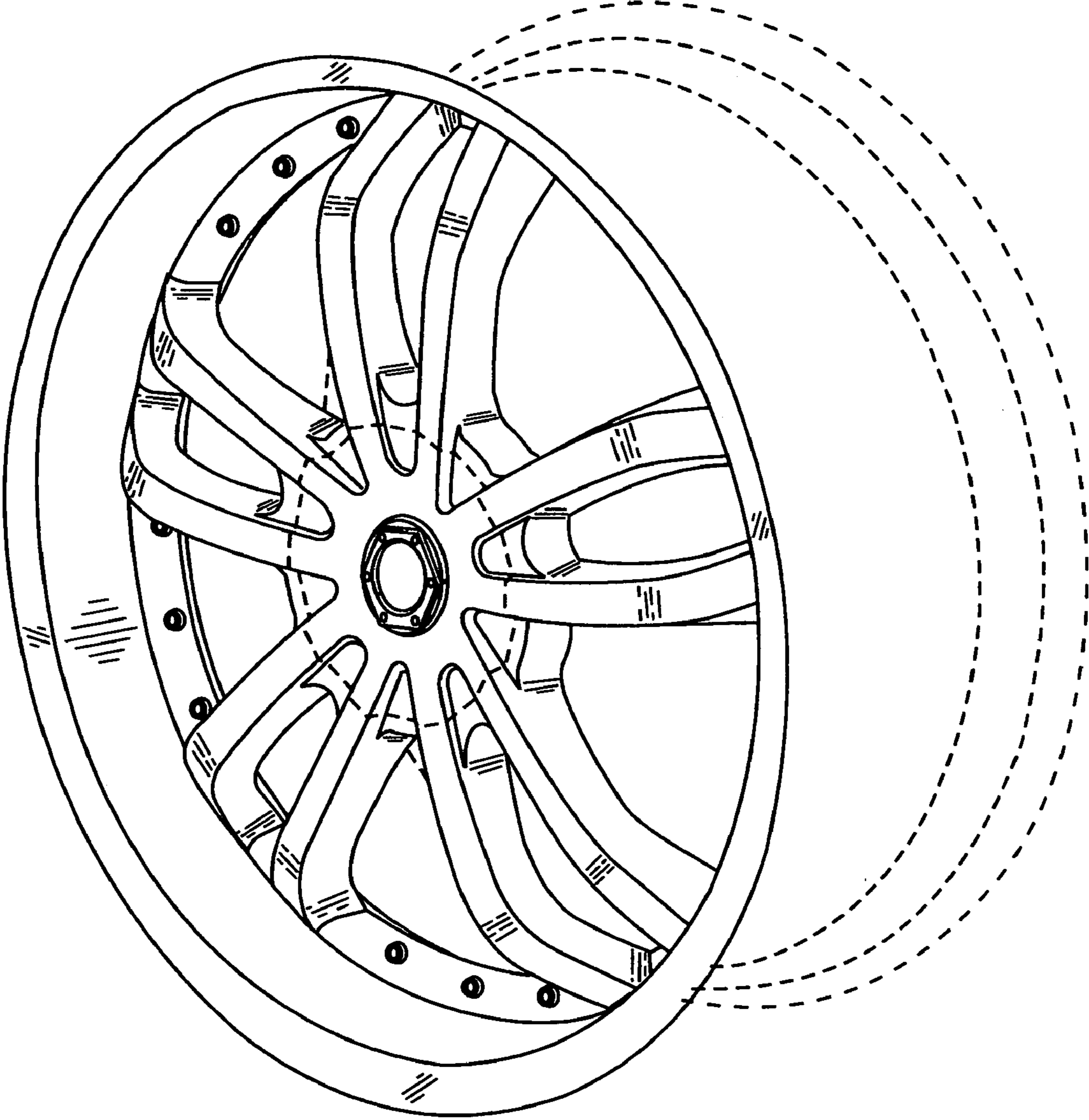


Fig. 1

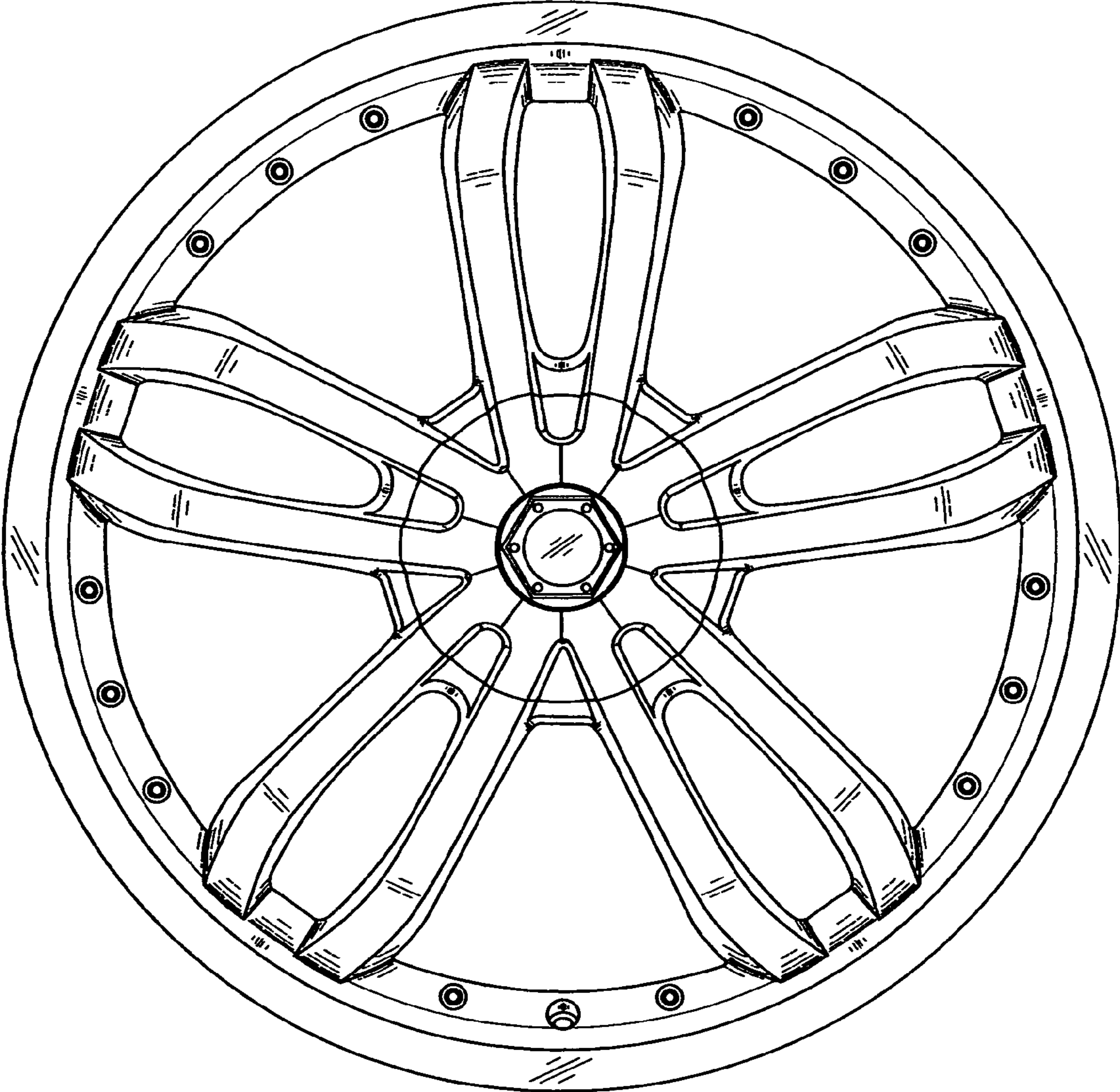


Fig. 2