



US00D580840S

(12) **United States Design Patent**  
**Elmitt**

(10) **Patent No.:** **US D580,840 S**

(45) **Date of Patent:** **\*\* Nov. 18, 2008**

(54) **FRONT FACE OF A VEHICLE WHEEL**

(75) Inventor: **Karl-Johann Elmitt**, Eching (DE)

(73) Assignee: **Bayerische Motoren Werke Aktiengesellschaft**, Munich (DE)

(\*\*) Term: **14 Years**

(21) Appl. No.: **29/300,308**

(22) Filed: **Mar. 11, 2008**

(30) **Foreign Application Priority Data**

Oct. 11, 2007 (DE) ..... 40705136

(51) **LOC (8) Cl.** ..... **12-16**

(52) **U.S. Cl.** ..... **D12/209**

(58) **Field of Classification Search** ..... D12/204–213;  
301/37.101, 64.101, 65, 64.201  
See application file for complete search history.

(56) **References Cited**

**U.S. PATENT DOCUMENTS**

D437,577 S \* 2/2001 Iacovelli ..... D12/209  
D483,714 S \* 12/2003 Warming ..... D12/211  
D486,111 S \* 2/2004 Weidhase ..... D12/211

D499,685 S \* 12/2004 Schaefers ..... D12/211  
D516,004 S \* 2/2006 Hernandez ..... D12/211  
D517,970 S 3/2006 Pollmann  
D535,605 S \* 1/2007 Guevara ..... D12/211  
D539,721 S \* 4/2007 Ettensberger ..... D12/209

\* cited by examiner

*Primary Examiner*—Stacia Cadmus

(74) *Attorney, Agent, or Firm*—Crowell & Moring LLP

(57) **CLAIM**

The ornamental design for a front face of a vehicle wheel, as shown and described.

**DESCRIPTION**

This application is related to the following co-pending application:

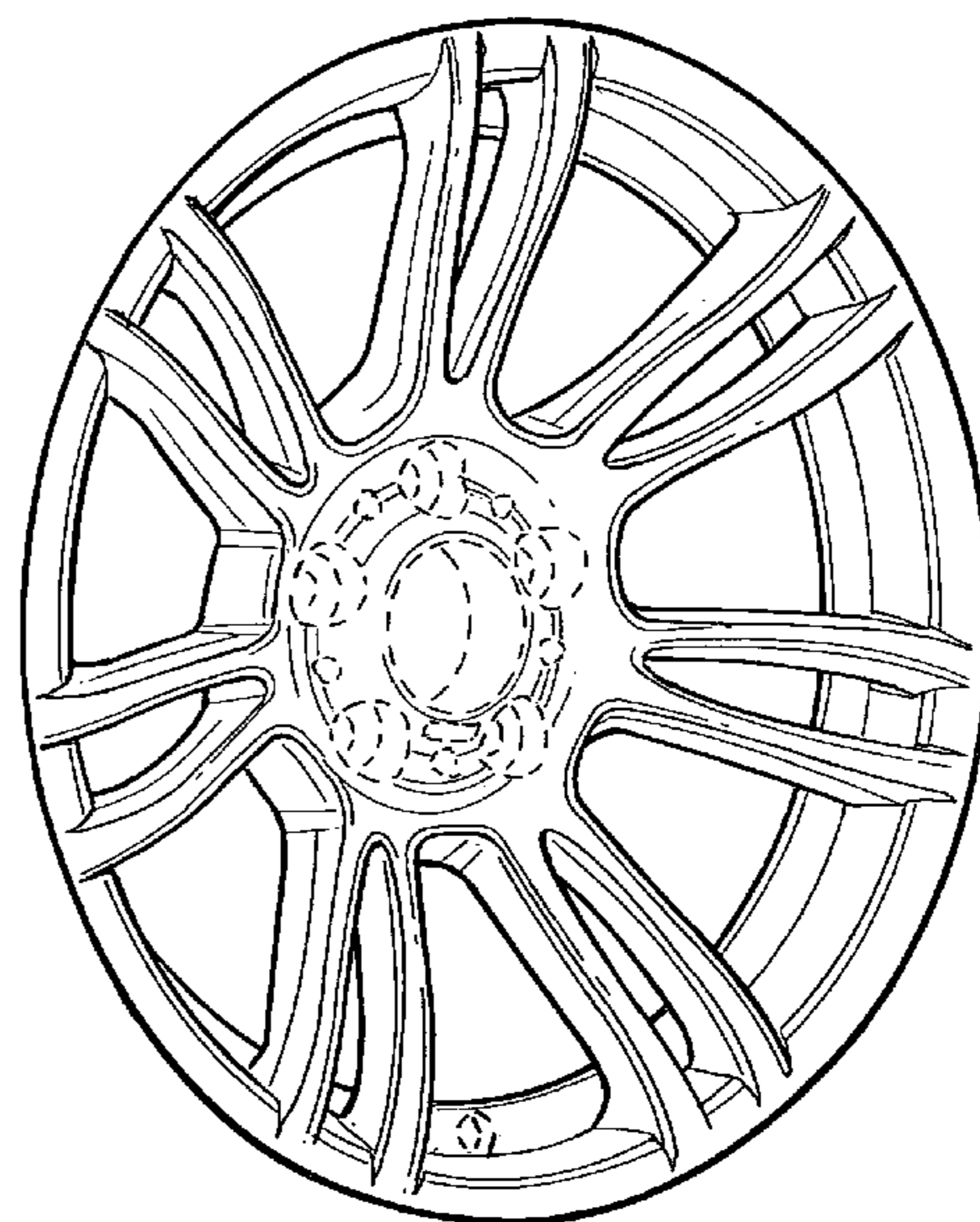
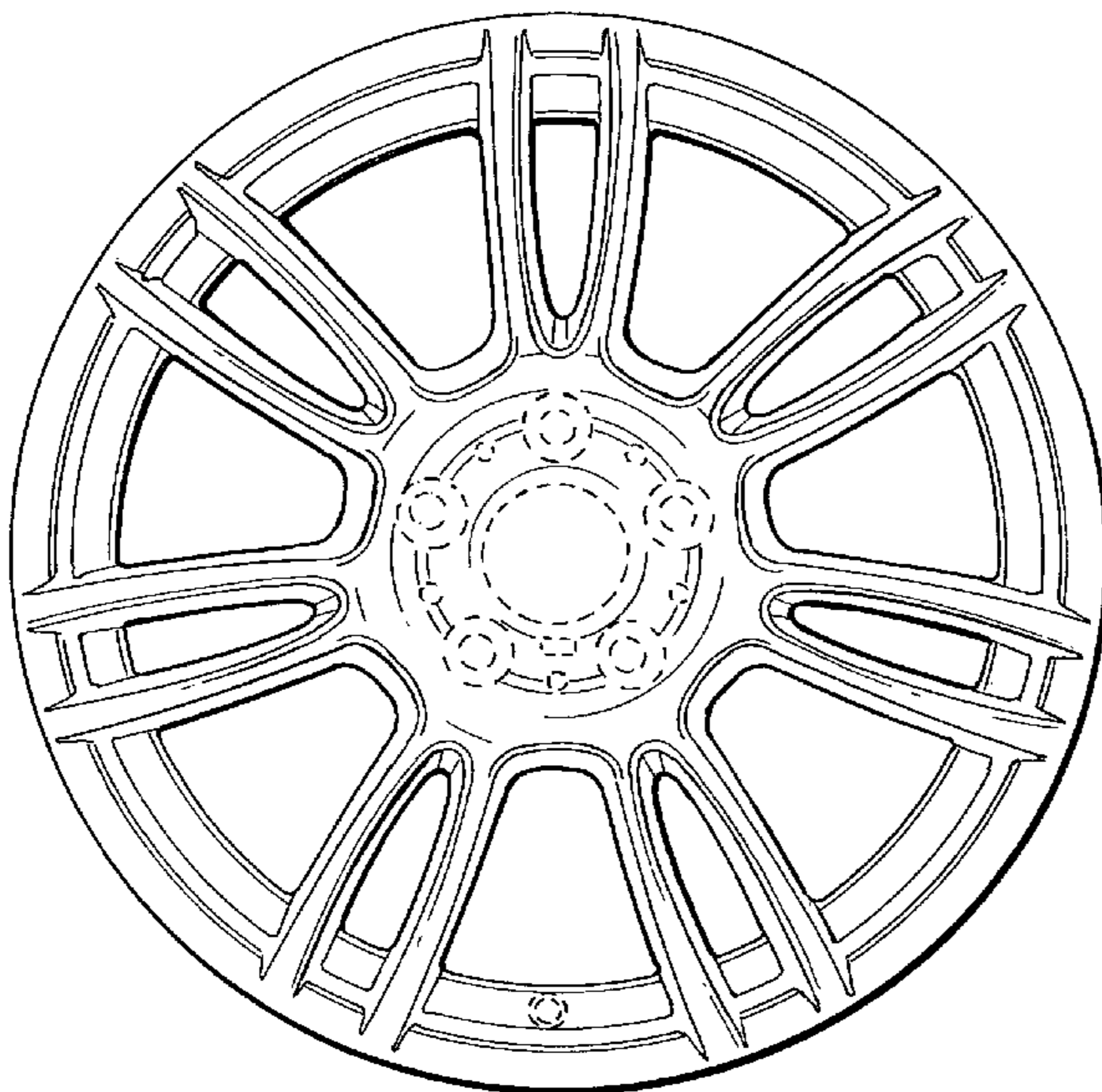
Application Ser. No. 29/300,127, entitled “Front Face of a Vehicle Wheel”.

FIG. 1 is a front view of a front face of a vehicle wheel according to my novel design; and,

FIG. 2 is a perspective view thereof.

The broken lines are for illustrative purposes only and form no part of the claimed design.

**1 Claim, 1 Drawing Sheet**



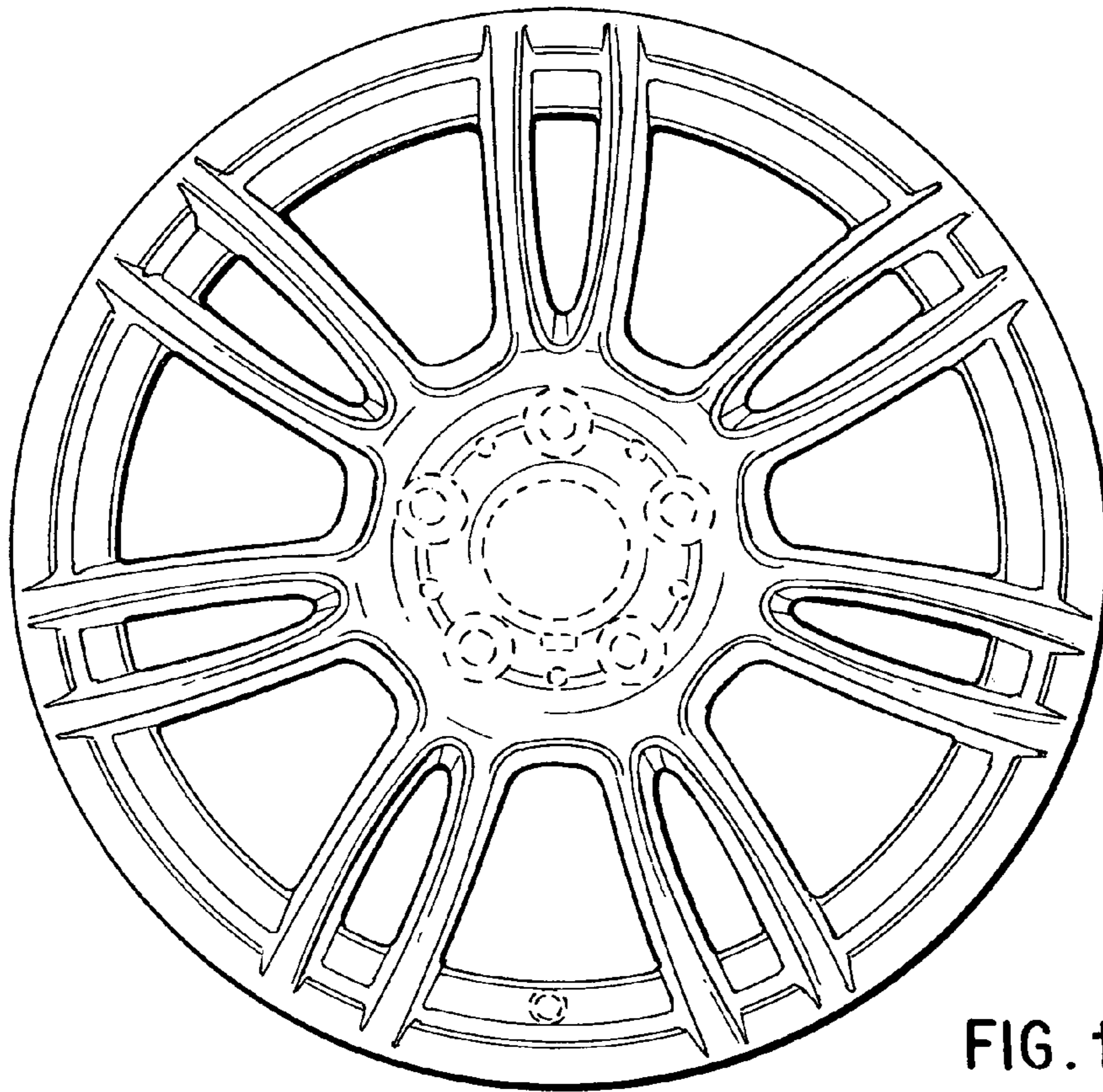


FIG. 1

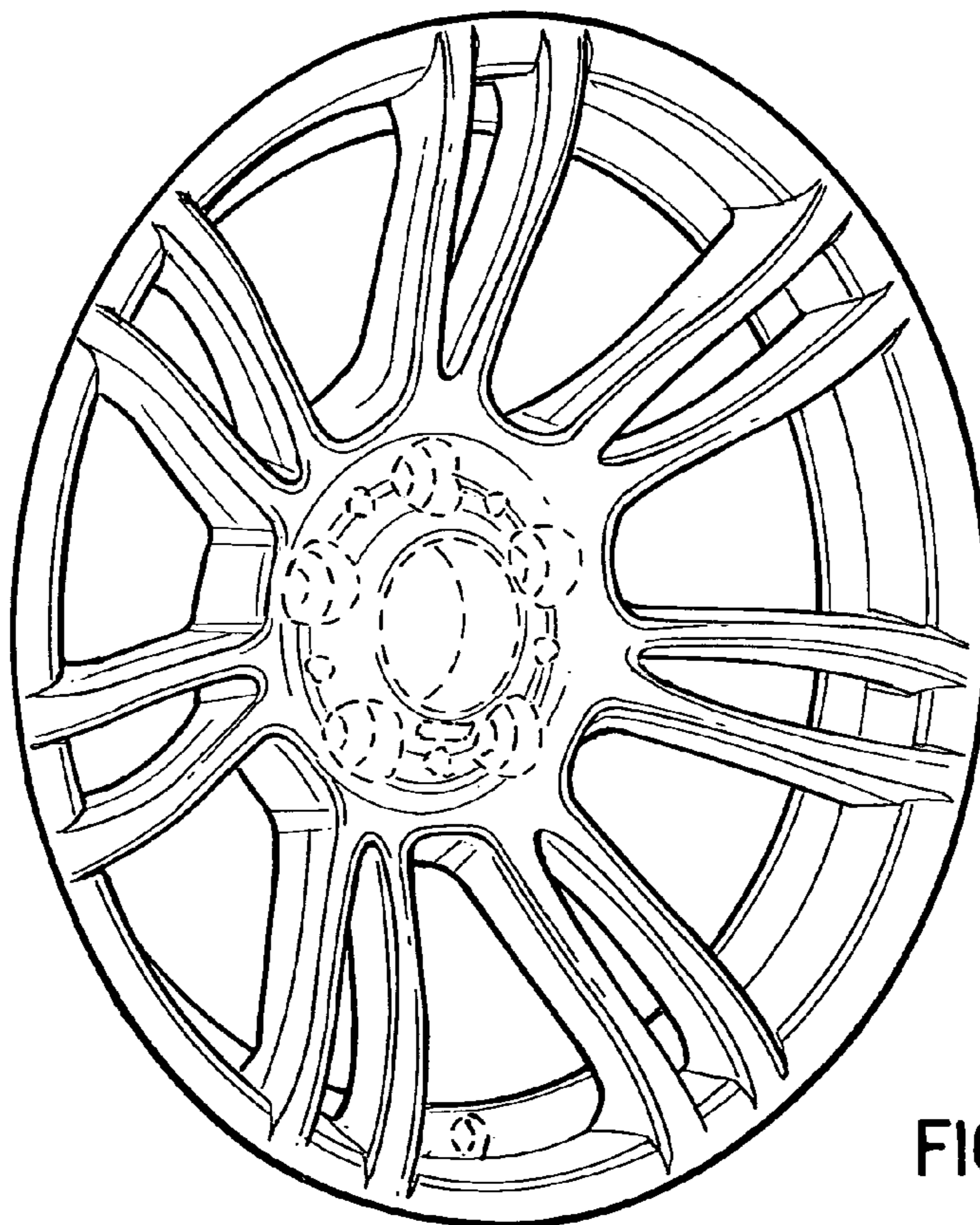


FIG. 2