



US00D580838S

(12) **United States Design Patent**
Gabath et al.

(10) **Patent No.:** **US D580,838 S**
(45) **Date of Patent:** **** Nov. 18, 2008**

(54) **REAR FENDER FOR A VEHICLE**

D558,653 S * 1/2008 Leclercq D12/184

(75) Inventors: **Peter Gabath**, Jesenwang (DE); **Marc Michael Markefka**, Munich (DE)

FOREIGN PATENT DOCUMENTS

WO DM/066982 10/2005

(73) Assignee: **Bayerische Motoren Werke Aktiengesellschaft**, Munich (DE)

* cited by examiner

Primary Examiner—Melody N Brown

(**) Term: **14 Years**

(74) *Attorney, Agent, or Firm*—Crowell & Moring LLP

(21) Appl. No.: **29/290,177**

(57) **CLAIM**

(22) Filed: **Nov. 1, 2007**

The ornamental design for a rear fender for a vehicle, as shown and described.

(30) **Foreign Application Priority Data**

DESCRIPTION

May 2, 2007 (DE) 40702393

This application is related to the following co-pending application: Application Ser. No. 29/290,181, entitled "Vehicle, Toy, or Likeness Thereof".

(51) **LOC (8) Cl.** **12-16**

(52) **U.S. Cl.** **D12/184**

(58) **Field of Classification Search** D12/184,
D12/196, 90-92; 280/152.1, 847-849, 851;
296/181.1, 181.5

FIG. 1 is a left perspective view of a rear fender for a vehicle according to our novel design;

FIG. 2 is a right perspective view thereof;

FIG. 3 is a front view thereof;

FIG. 4 is a top view thereof; and

FIG. 5 is a right side view thereof.

See application file for complete search history.

FIG. 6 is a right perspective view of a second embodiment of the rear fender for a vehicle according to our novel design;

FIG. 7 is a left perspective view of FIG. 6;

FIG. 8 is a front view of FIG. 6;

FIG. 9 is a top view of FIG. 6; and,

FIG. 10 is a left side view of FIG. 6.

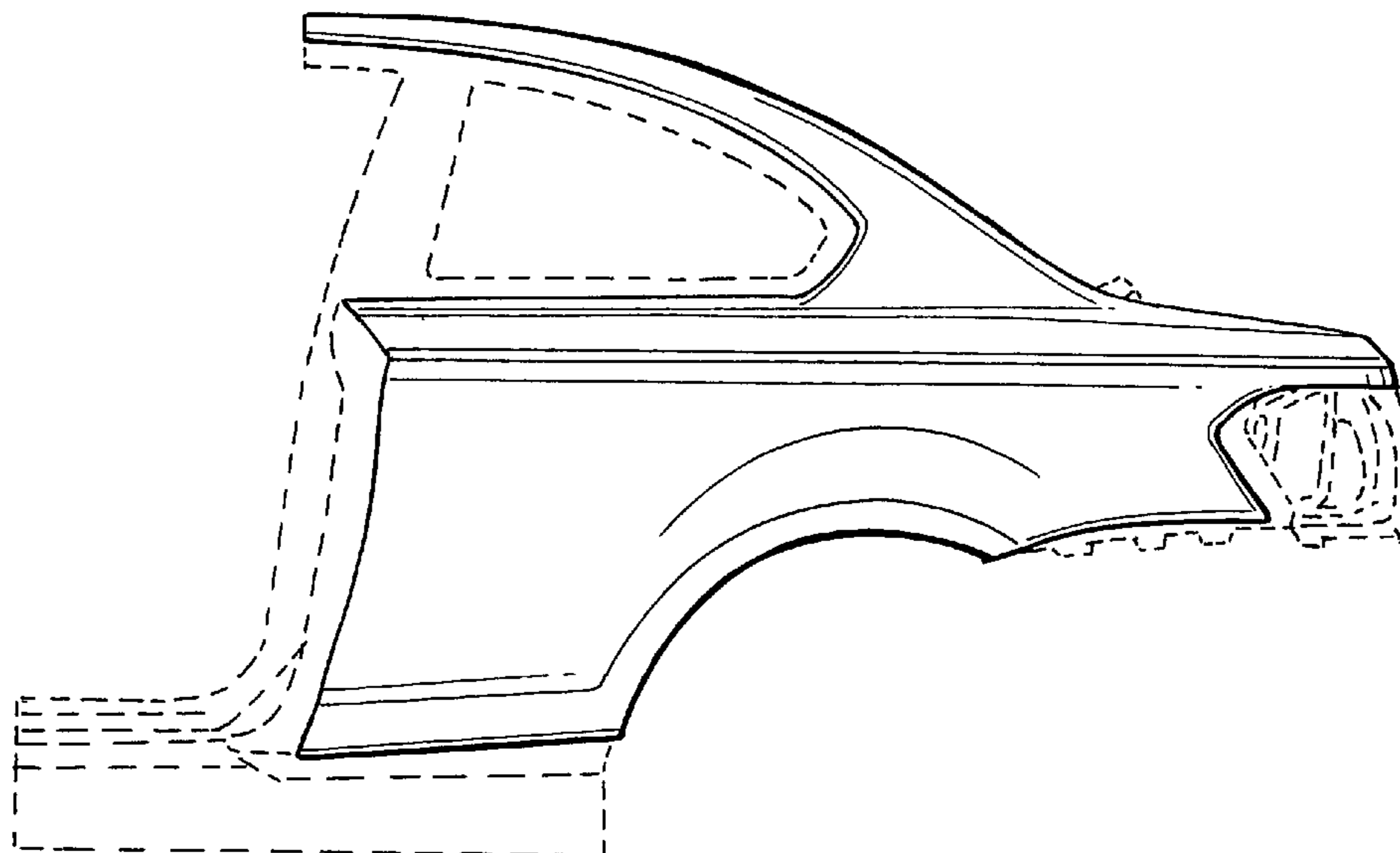
(56) **References Cited**

U.S. PATENT DOCUMENTS

D431,497 S * 10/2000 Weidhase D12/92
D436,060 S * 1/2001 Pfeiffer D12/91
D436,061 S * 1/2001 Mobius et al. D12/92
D440,197 S * 4/2001 Pfeiffer D12/196
D447,458 S * 9/2001 Eum D12/196
D452,469 S * 12/2001 Sacco et al. D12/196
D469,046 S * 1/2003 Mobius D12/196
D472,193 S * 3/2003 Sinkwitz D12/196
D476,935 S * 7/2003 Boyer D12/196
D512,673 S * 12/2005 Nagashima D12/196
D548,662 S 8/2007 Markefka

The broken lines are for illustrative purposes only and form no part of the claimed design.

1 Claim, 4 Drawing Sheets



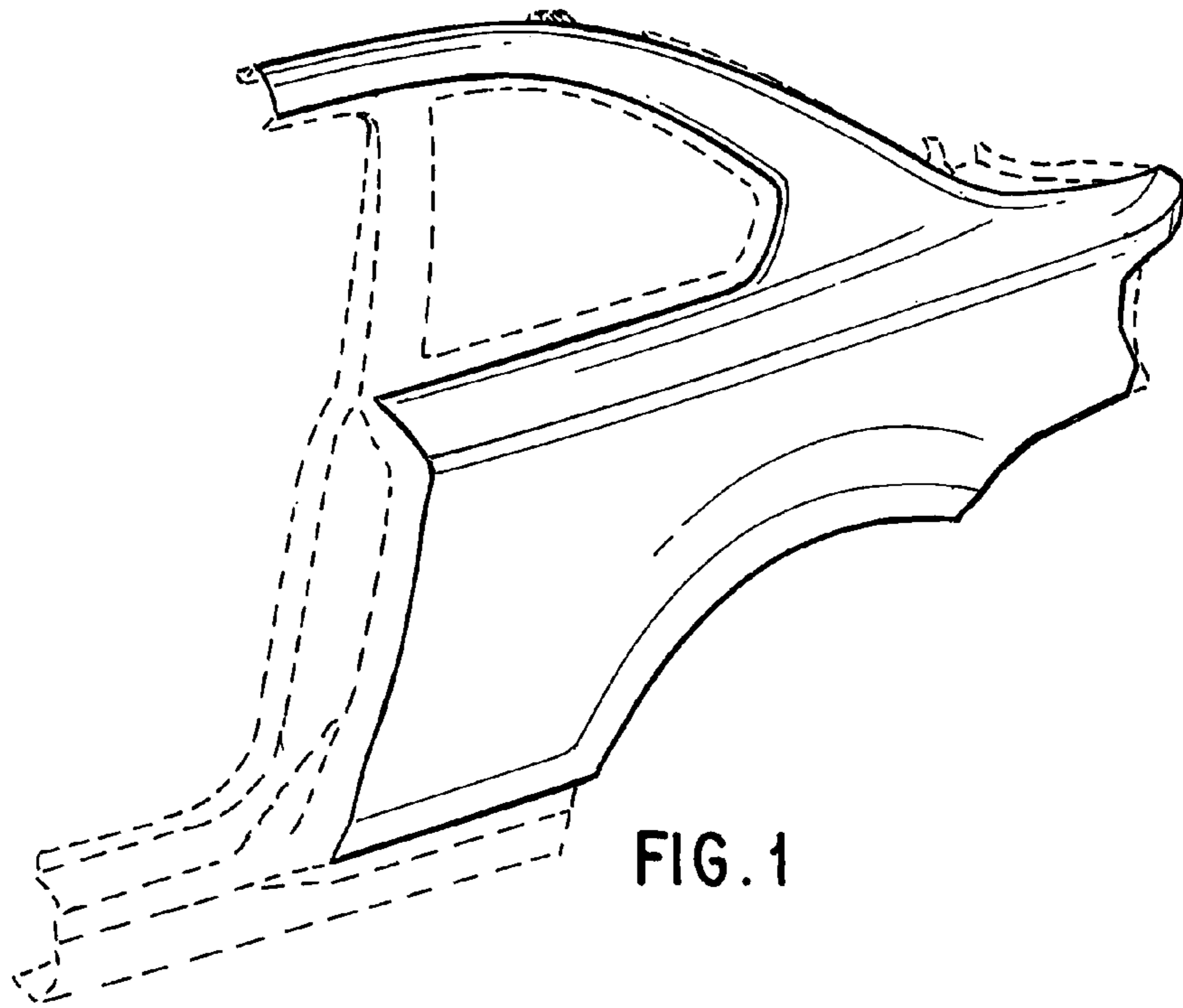


FIG. 1

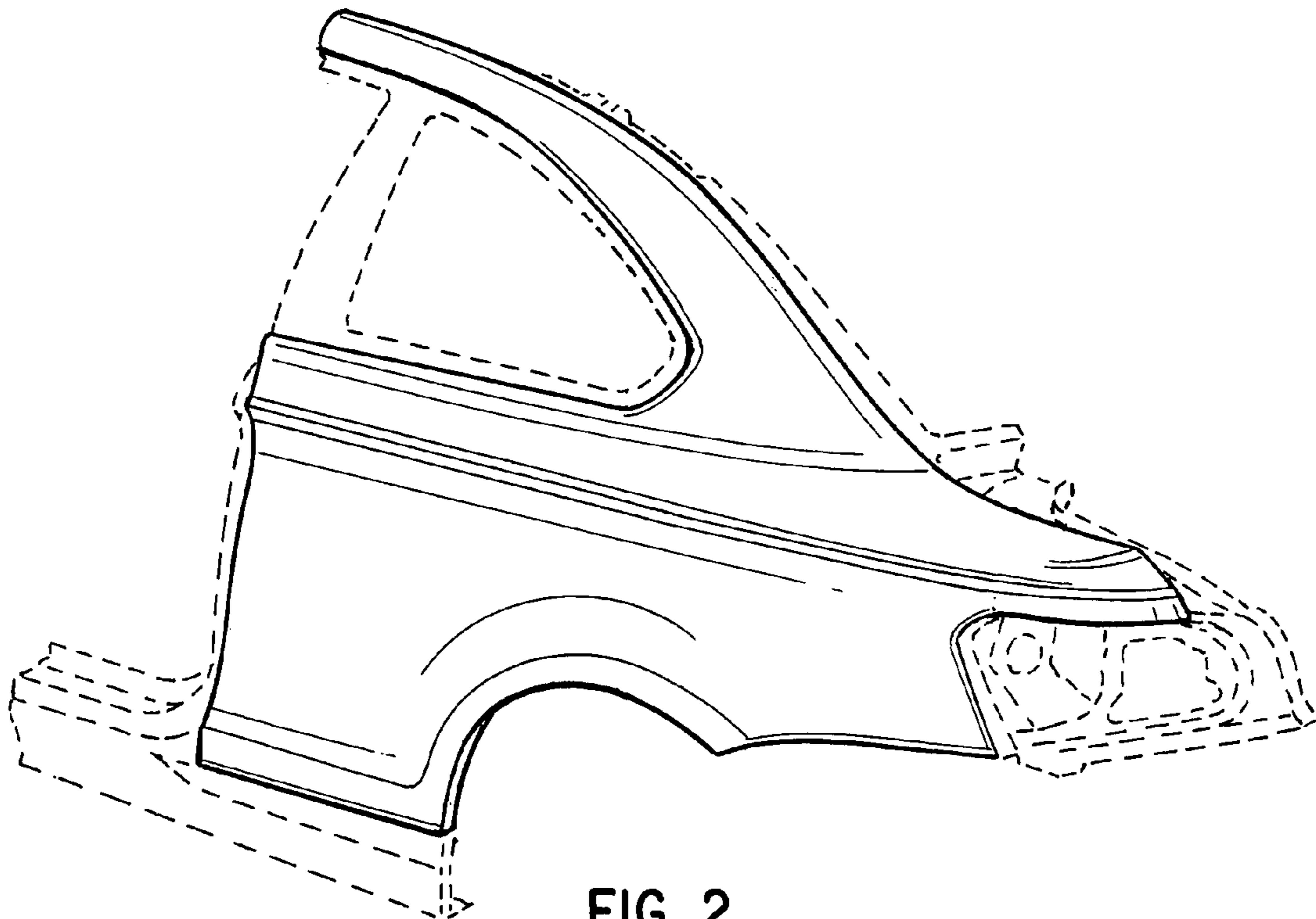
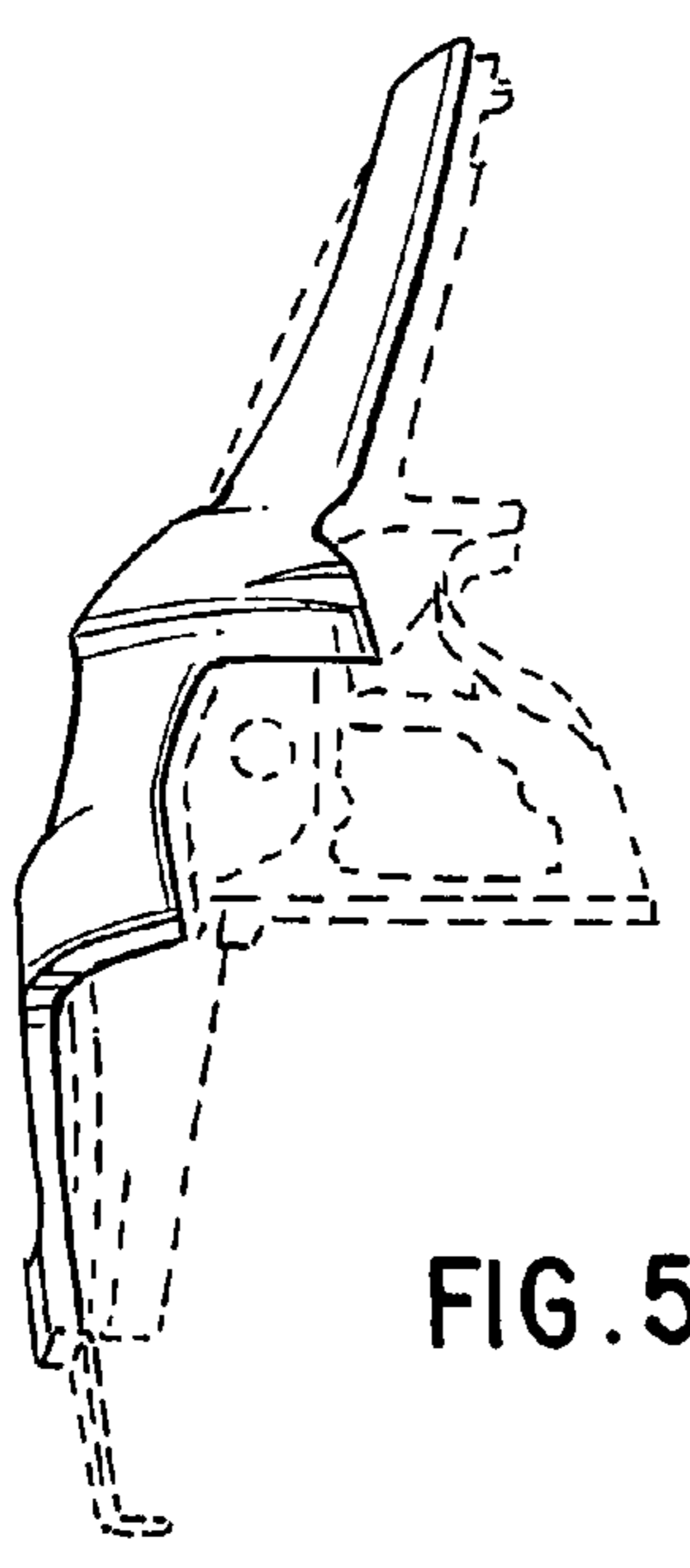
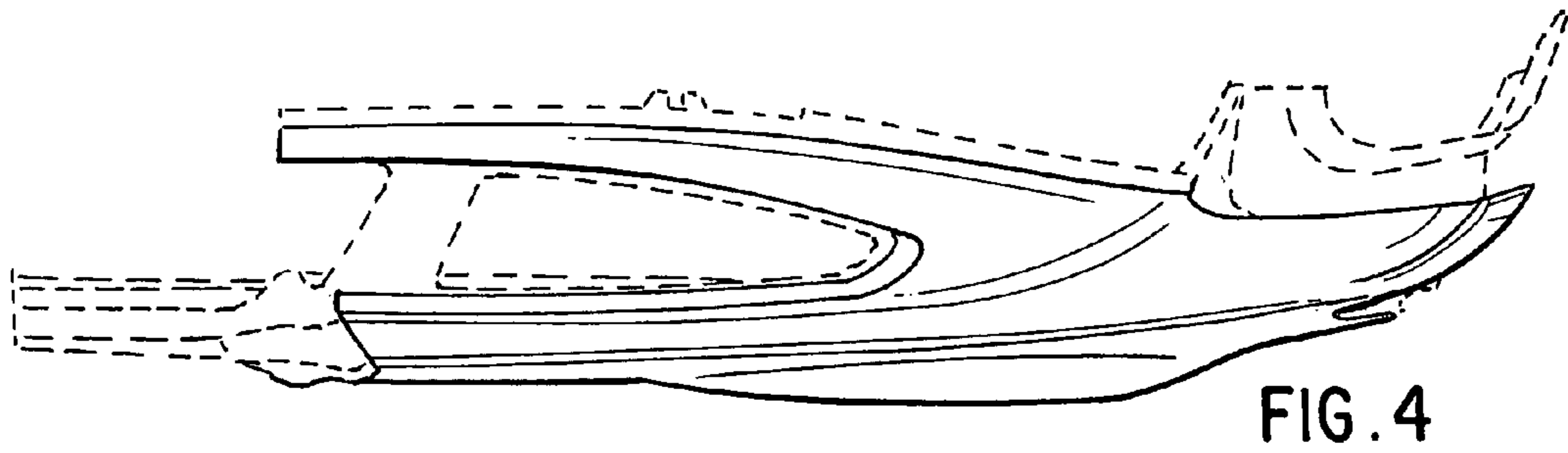
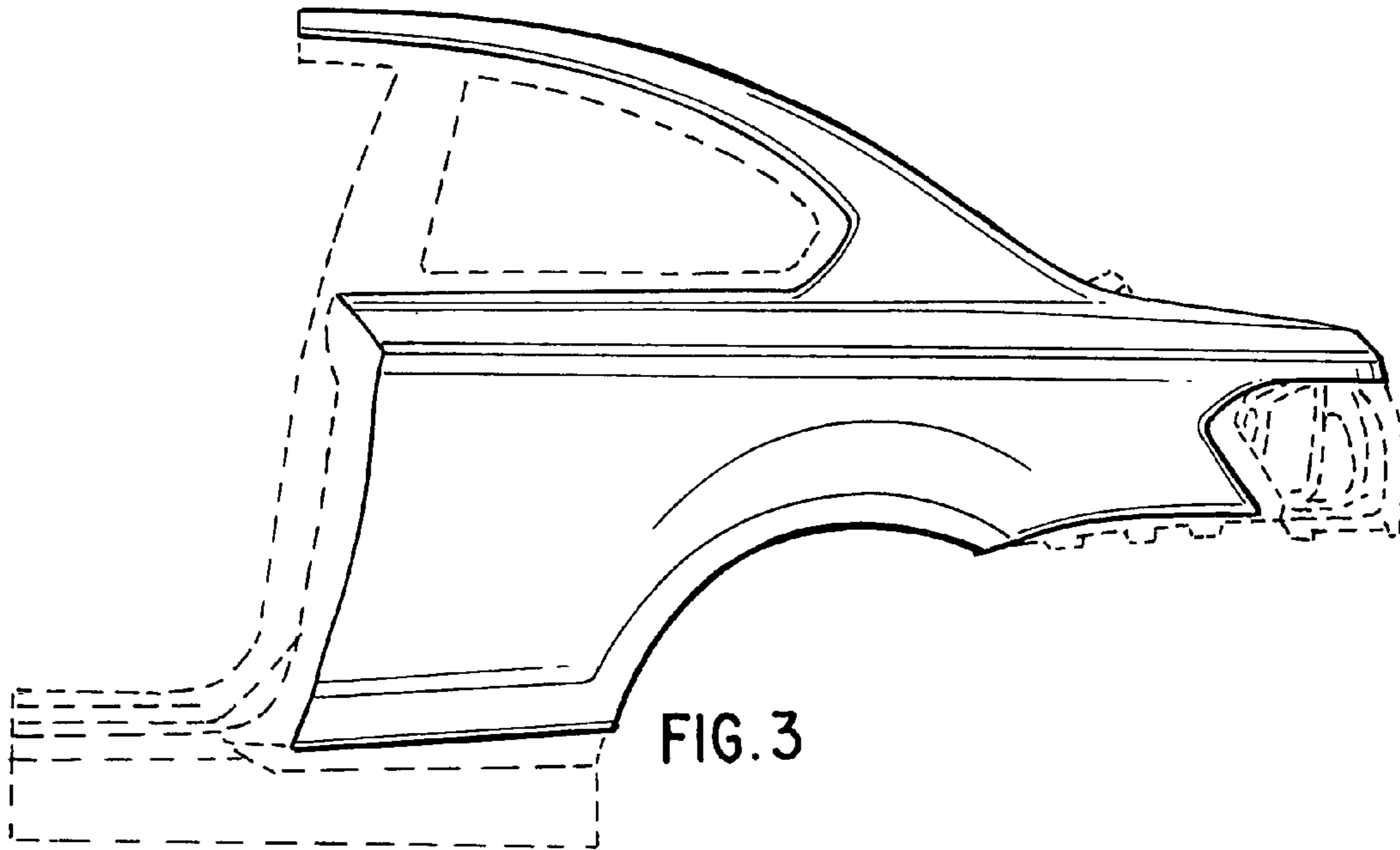


FIG. 2



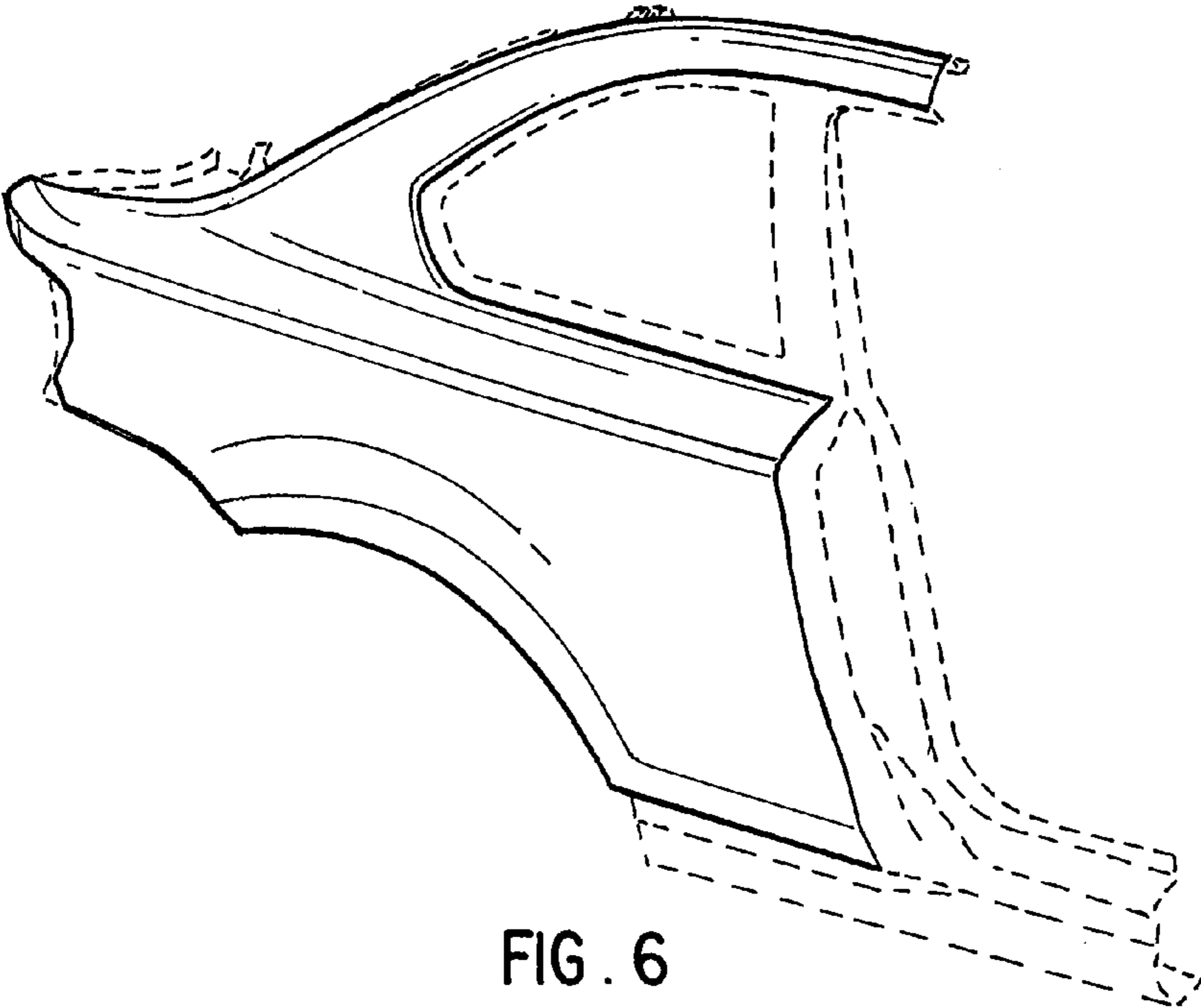


FIG. 6

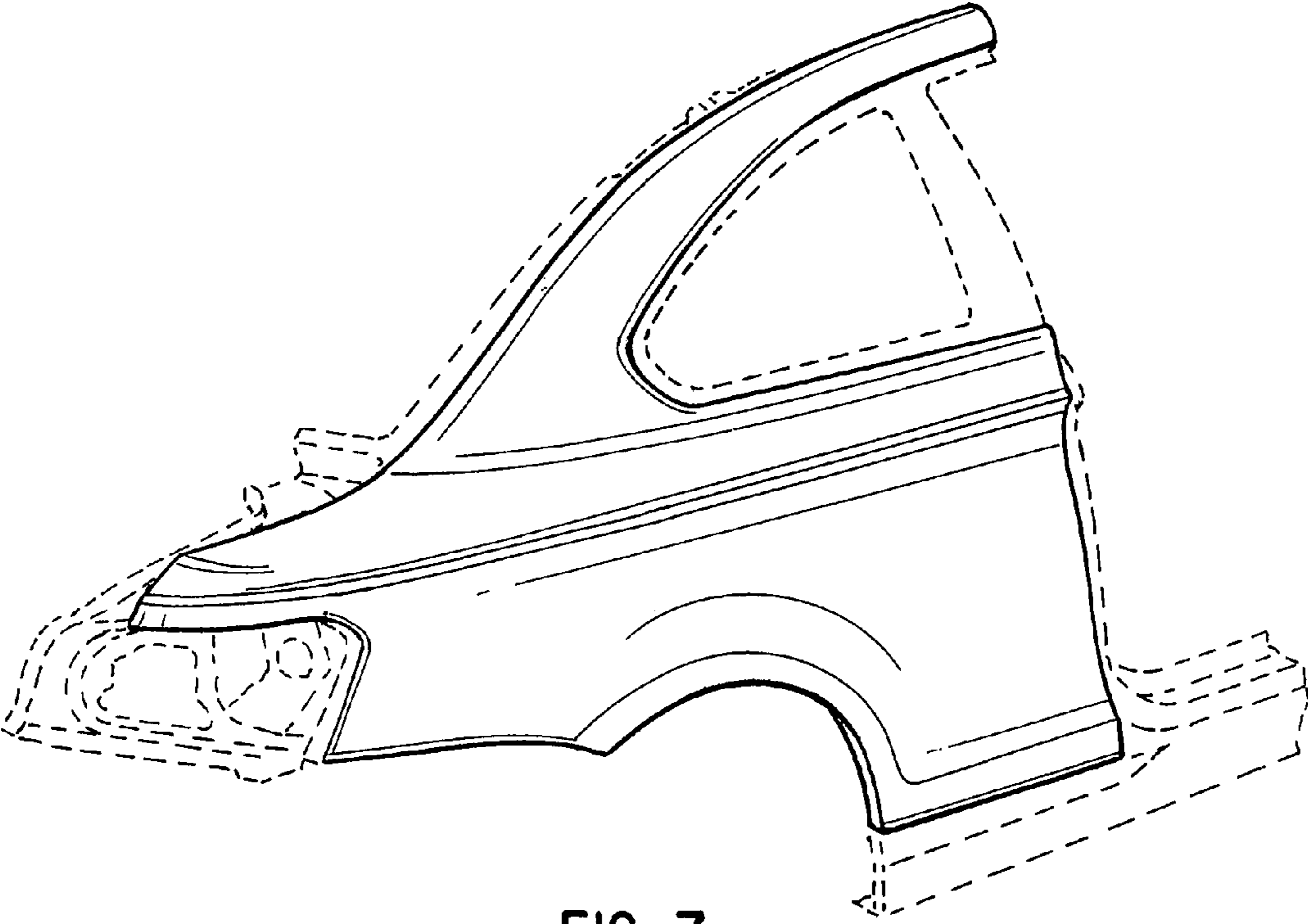


FIG. 7

