



US00D580836S

(12) **United States Design Patent**  
**Longpre et al.**

(10) **Patent No.:** **US D580,836 S**  
(45) **Date of Patent:** **\*\* Nov. 18, 2008**

(54) **VEHICLE HOOD**

D485,788 S 1/2004 Guay et al.  
6,866,110 B2 3/2005 Mallette et al.

(75) Inventors: **Guillaume Longpre**, Granby (CA);  
**Denys Lapointe**, St-Bruno (CA);  
**Martin Portelance**, Sherbrooke (CA);  
**Etienne Guay**, Orford (CA); **Nicolas Deluy**, Sherbrooke (CA)

(Continued)

**FOREIGN PATENT DOCUMENTS**

FR 025060 2/2003

**OTHER PUBLICATIONS**

Fig 18 of U.S. Appl. No. 29/156,028, now U.S. Design No. D485,788 (figure cancelled during prosecution).

*Primary Examiner*—Cathron Brooks  
*Assistant Examiner*—Linda Brooks

(74) *Attorney, Agent, or Firm*—Osler, Hoskin & Harcourt LLP

(73) Assignee: **Bombardier Recreational Products Inc.**, Valcourt (CA)

(\*\*) Term: **14 Years**

(21) Appl. No.: **29/282,146**

(22) Filed: **Jul. 12, 2007**

**Related U.S. Application Data**

(63) Continuation-in-part of application No. 29/279,940, filed on May 11, 2007.

(51) **LOC (8) Cl.** ..... **12-16**

(52) **U.S. Cl.** ..... **D12/173; D12/107**

(58) **Field of Classification Search** ..... D12/3, D12/86, 87, 107, 110, 126, 90-92, 96, 85, D12/173; 296/192, 193.01, 193.09, 193.11, 296/77.1, 78.1, 37.1; 180/219, 225, 229, 180/233, 311, 312, 69.2, 69.21, 69.25, 220, 180/223, 16, 210-217, 69.22; 224/400, 401, 224/486, 42.31; 280/202, 282, 288.1-288.4, 280/220

See application file for complete search history.

(56) **References Cited**

**U.S. PATENT DOCUMENTS**

D437,574 S \* 2/2001 Beigel ..... D12/173  
6,446,744 B2 9/2002 Wubbolts et al.  
6,604,594 B2 8/2003 Wubbolts et al.  
6,655,487 B2 12/2003 Mallette et al.

(57) **CLAIM**

The ornamental design for a vehicle hood, as shown and described.

**DESCRIPTION**

FIG. 1 is a front and left side perspective view of a vehicle hood according to our design;

FIG. 2 is a top plan view thereof;

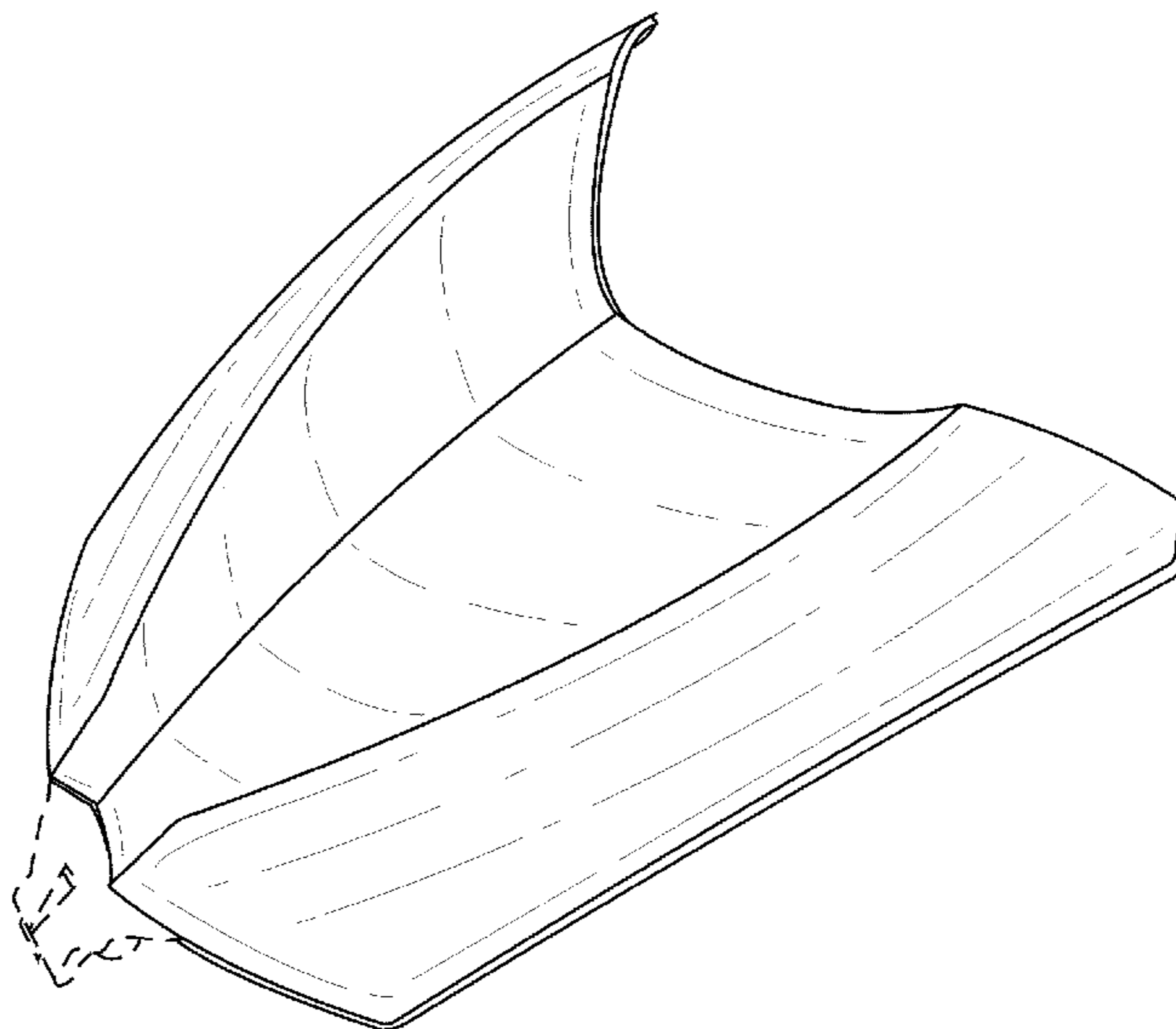
FIG. 3 is a front elevational view thereof;

FIG. 4 is a left side elevational view thereof, the right side elevation view being a mirror image thereof; and,

FIG. 5 is a front and left side perspective view of the vehicle hood shown in FIG. 1, shown on a reduced scale and in position of use on a road vehicle in broken lines.

Throughout the Figures, broken lines showing structure or environment are for illustrative purposes only and form no part of the claimed design. Portions of the article not shown in the drawings, and portions of the article shown in the drawings but not shaded, form no part of the claimed design.

**1 Claim, 5 Drawing Sheets**



# US D580,836 S

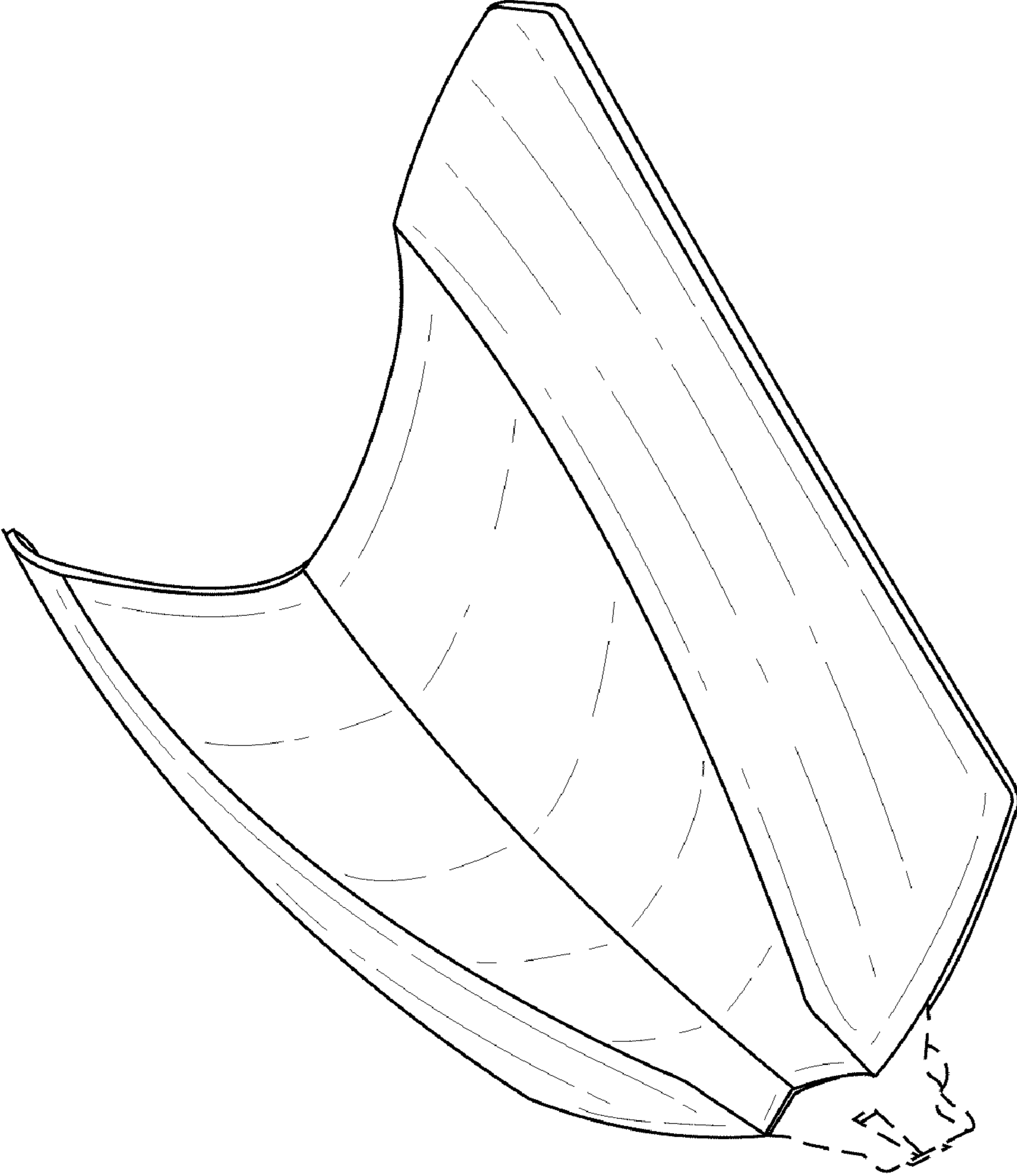
Page 2

---

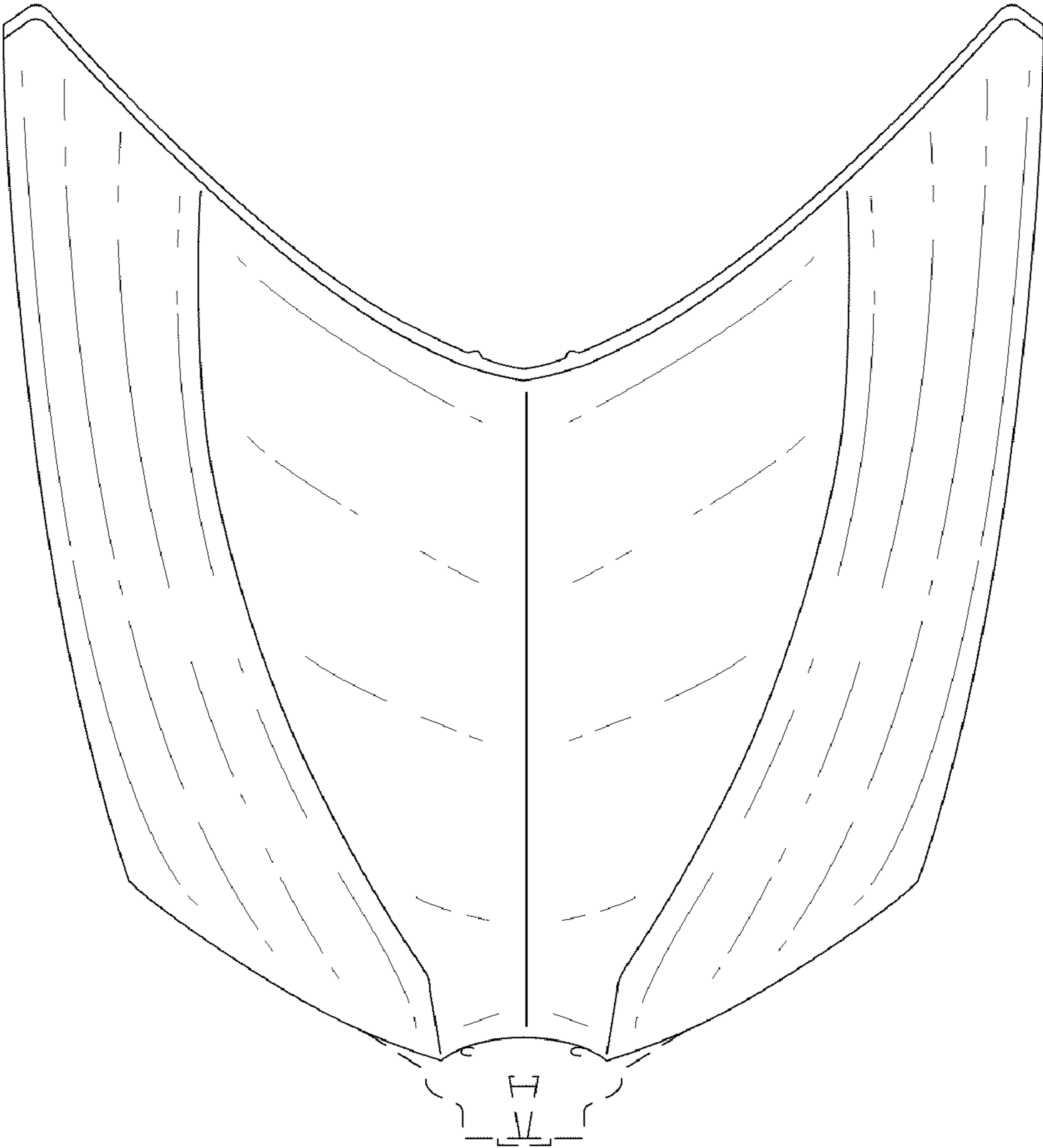
## U.S. PATENT DOCUMENTS

6,948,581 B2	9/2005	Fecteau et al.			
D523,793 S *	6/2006	Beigel et al. ....	D12/173	2004/0032120 A1	2/2004 Vaisanen et al.
D532,349 S *	11/2006	Minowa .....	D12/173	2004/0035623 A1	2/2004 Fecteau et al.
D533,121 S *	12/2006	Konaka .....	D12/173	2004/0035624 A1	2/2004 Fecteau et al.
D548,147 S *	8/2007	Schiavone et al. ....	D12/173	2004/0035625 A1	2/2004 Talbot et al.
D557,186 S *	12/2007	Beigel et al. ....	D12/173	2004/0035626 A1	2/2004 Girouard et al.
2001/0040064 A1	11/2001	Girouard et al.		2004/0129473 A1	7/2004 Talbot et al.
2002/0129984 A1	9/2002	Wubbolts et al.		2004/0129483 A1	7/2004 Girouard et al.
2003/0221890 A1	12/2003	Fecteau et al.		2004/0140140 A1	7/2004 Guay et al.
2003/0221891 A1	12/2003	Fecteau et al.		2005/0039967 A1	2/2005 Aube et al.
				2007/0256882 A1 *	11/2007 Bedard et al. .... 180/312

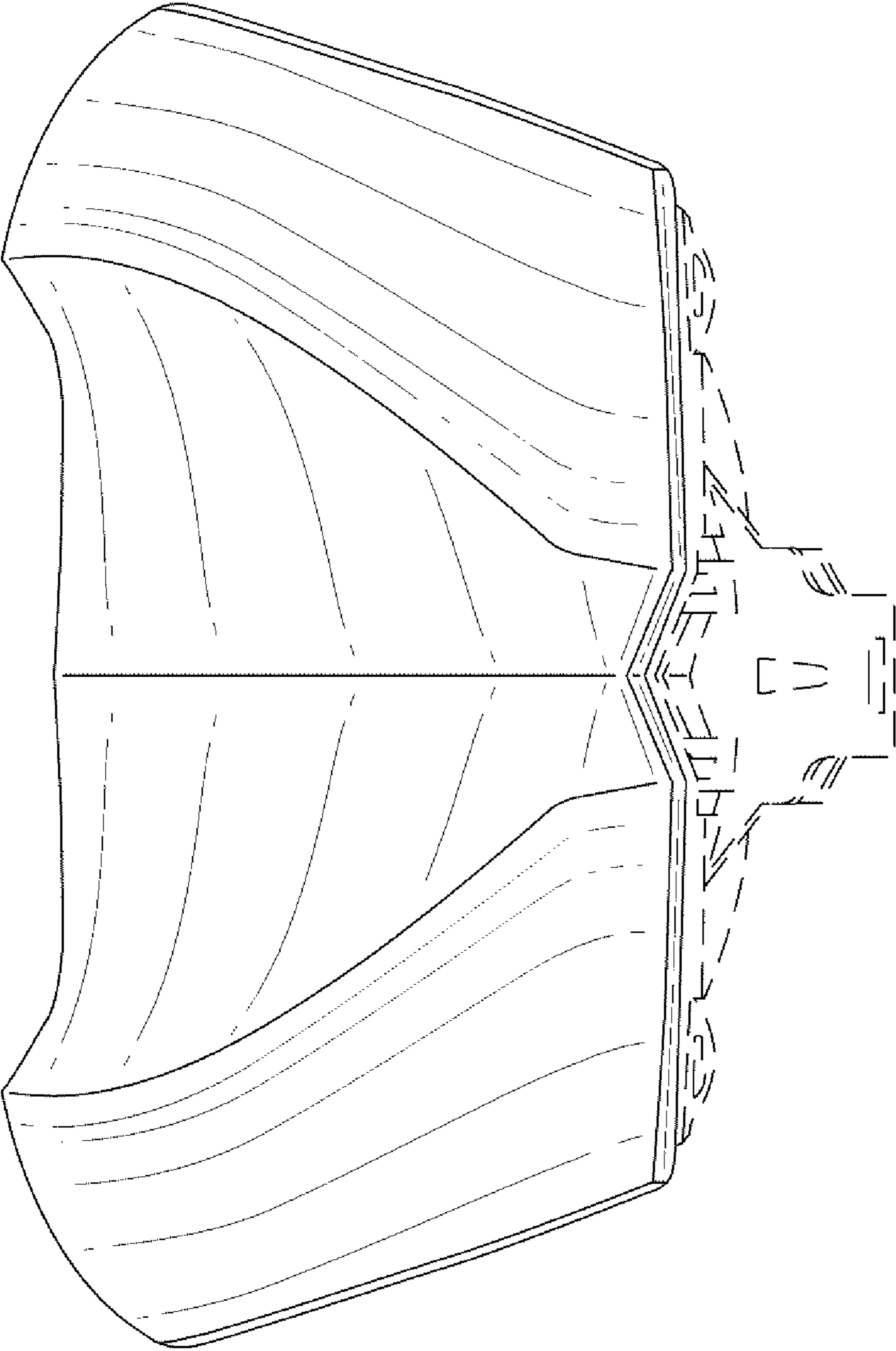
\* cited by examiner



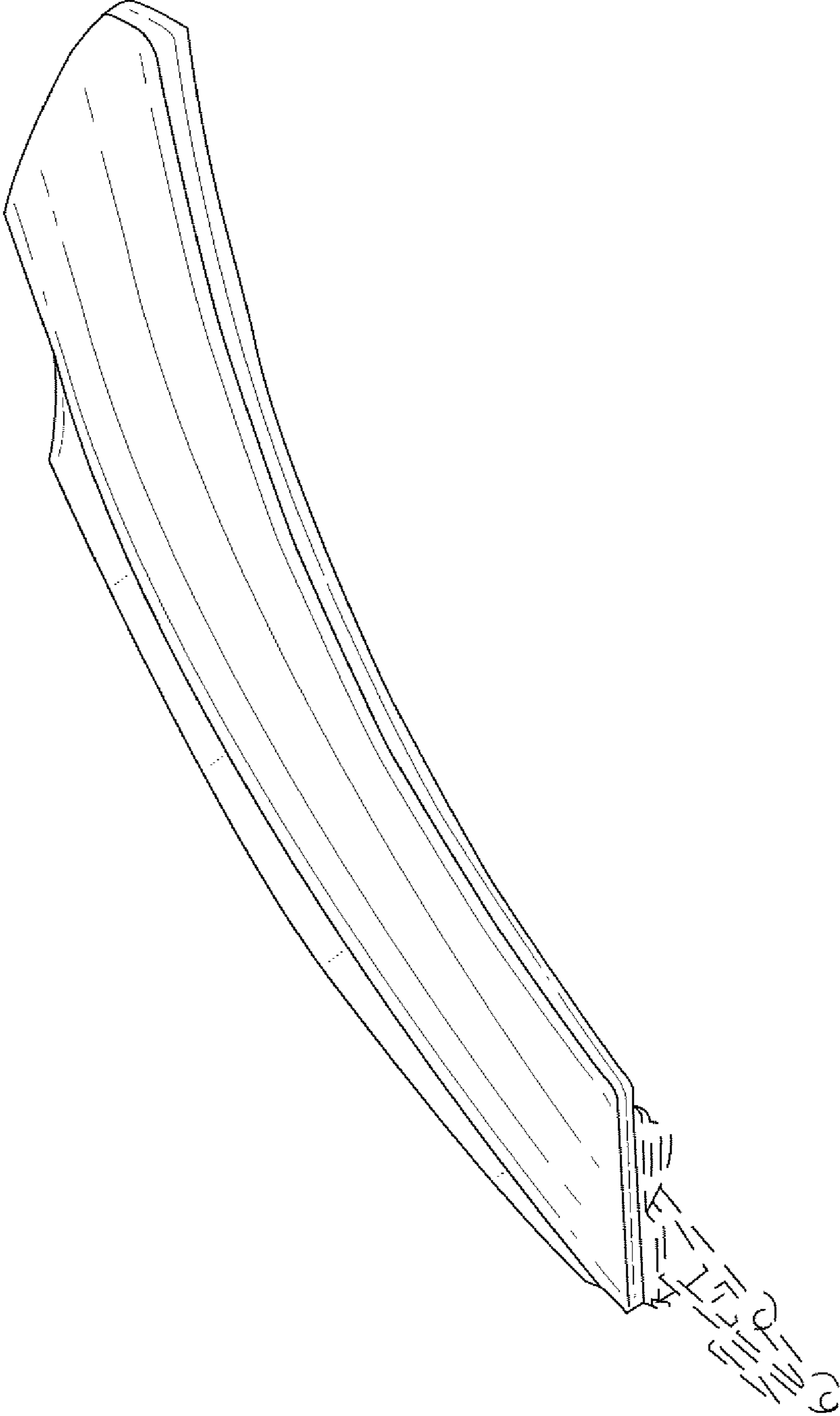
**FIG. 1**



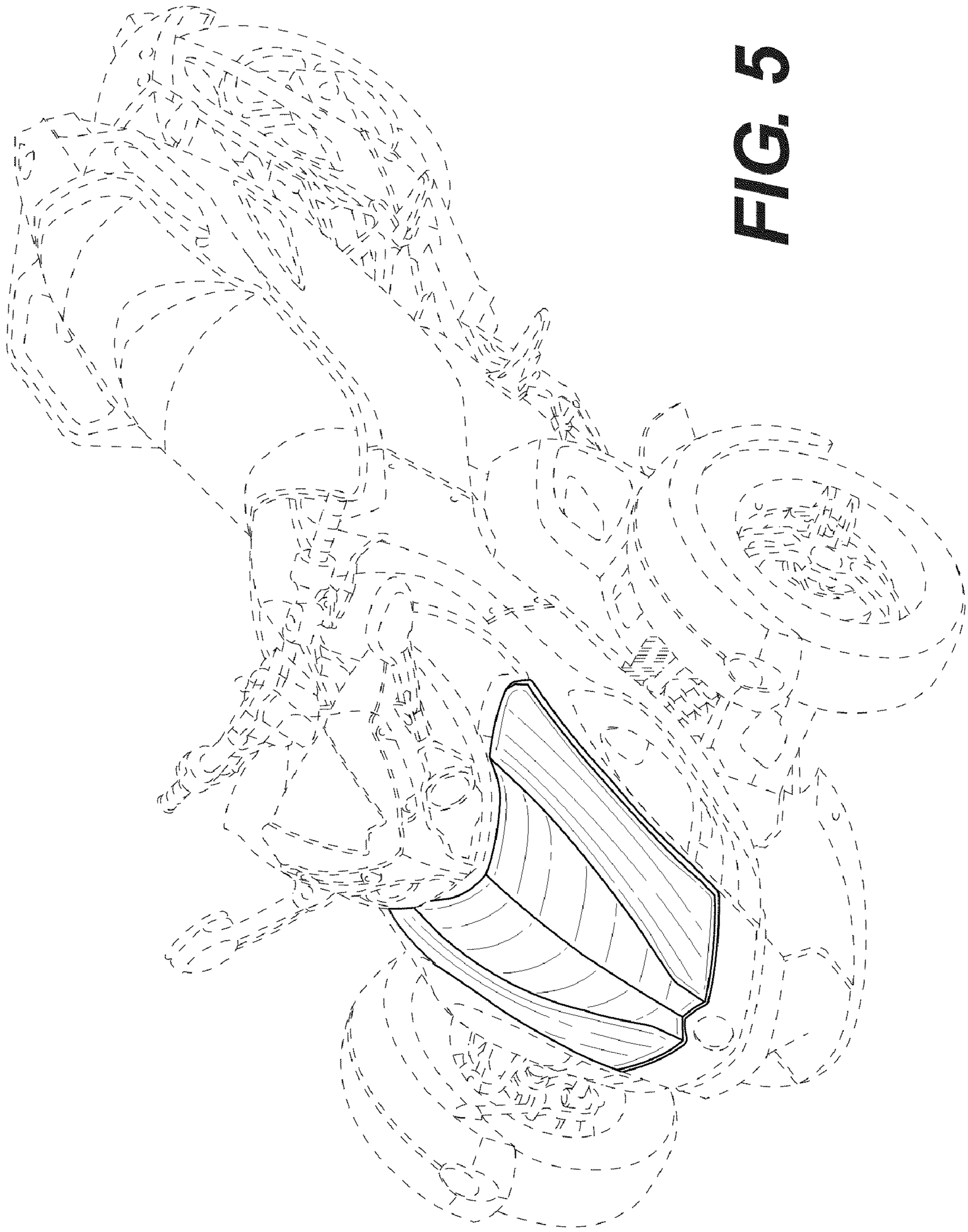
**FIG. 2**



**FIG. 3**



**FIG. 4**



**FIG. 5**