



US00D580835S

(12) **United States Design Patent**
Saridakis et al.

(10) **Patent No.:** **US D580,835 S**

(45) **Date of Patent:** **** Nov. 18, 2008**

(54) **VEHICLE REAR BUMPER COVER**

(75) Inventors: **George Saridakis**, Ann Arbor, MI (US);
Douglas Gaffka, Northville, MI (US);
Rick Howard, Ypsilanti, MI (US)

(73) Assignee: **Ford Motor Company**, Dearborn, MI (US)

(**) Term: **14 Years**

(21) Appl. No.: **29/317,477**

(22) Filed: **Apr. 30, 2008**

Related U.S. Application Data

(63) Continuation of application No. 29/279,104, filed on Apr. 19, 2007, now abandoned.

(51) **LOC (8) Cl.** **12-16**

(52) **U.S. Cl.** **D12/169**

(58) **Field of Classification Search** D12/169,
D12/196, 171, 163, 216, 90-92, 86; 293/102,
293/113, 115, 117, 120; 296/180.1, 180.2
See application file for complete search history.

(56) **References Cited**

U.S. PATENT DOCUMENTS

D500,969 S	1/2005	Mays	
D500,970 S	1/2005	Mays	
D555,551 S *	11/2007	Kaoud et al.	D12/169
D555,552 S *	11/2007	Bucher et al.	D12/169
D561,070 S *	2/2008	Gresens et al.	D12/169
D561,071 S *	2/2008	Golden et al.	D12/169
D570,263 S *	6/2008	Tachibana	D12/169

OTHER PUBLICATIONS

Ford, Mustang GT Convertible, Detroit 2005.
Ford, Concept Stang, Los Angeles, 2006.

Ford, Mustang Shelby GT500, Detroit 2007.

Ford, Mustang, Autoweek, Dec. 18, 2006.

* cited by examiner

Primary Examiner—Melody N Brown

(74) *Attorney, Agent, or Firm*—Damian Porcari

(57) **CLAIM**

The ornamental design for a vehicle rear bumper cover, as shown and described.

DESCRIPTION

FIG. 1 is a front elevational view of a vehicle rear bumper cover showing our new design;

FIG. 2 is a right side elevational view of the vehicle rear bumper cover, enlarged to show detail;

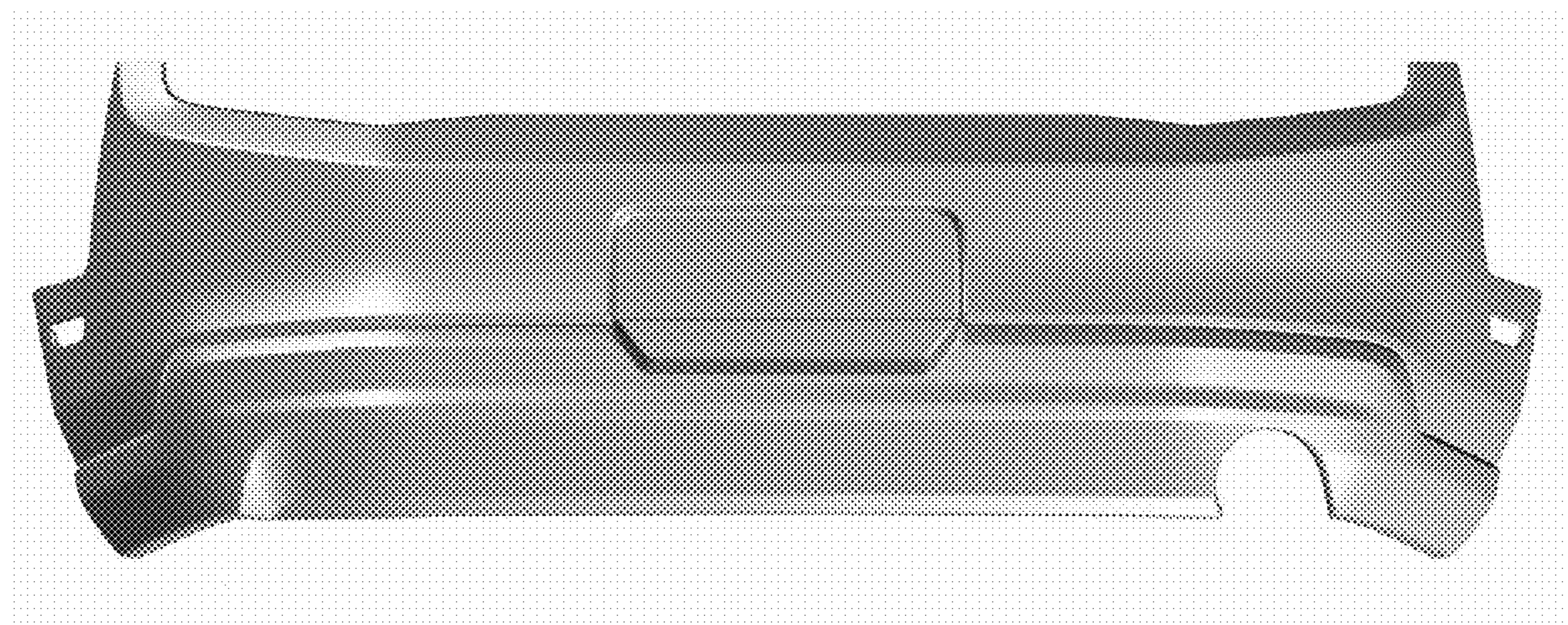
FIG. 3 is a left side elevational view of the vehicle rear bumper cover, enlarged to show detail;

FIG. 4 is a top plan view of the vehicle rear bumper cover; and,

FIG. 5 is bottom plan view of the vehicle rear bumper cover.

The vehicle rear bumper cover is styled independently of adjacent vehicle panels. To the extent that any feature lines are illustrated, they are intended to illustrate the crest and valley of the feature and are not necessarily sharp bends in the part. Shading is used to illustrate the curvature of the part and not color. Any functional features of the vehicle rear bumper cover are not claimed. Views are orthogonal projections unless otherwise noted. The various views are not necessarily to scale in order to better illustrate the design.

1 Claim, 5 Drawing Sheets



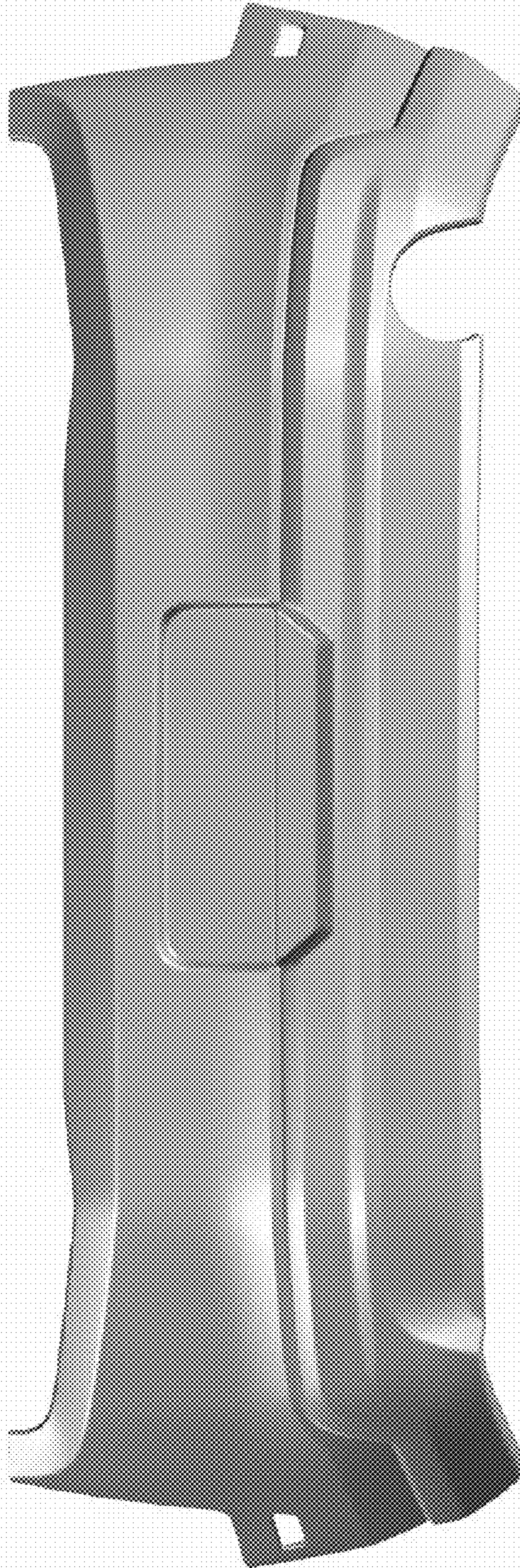
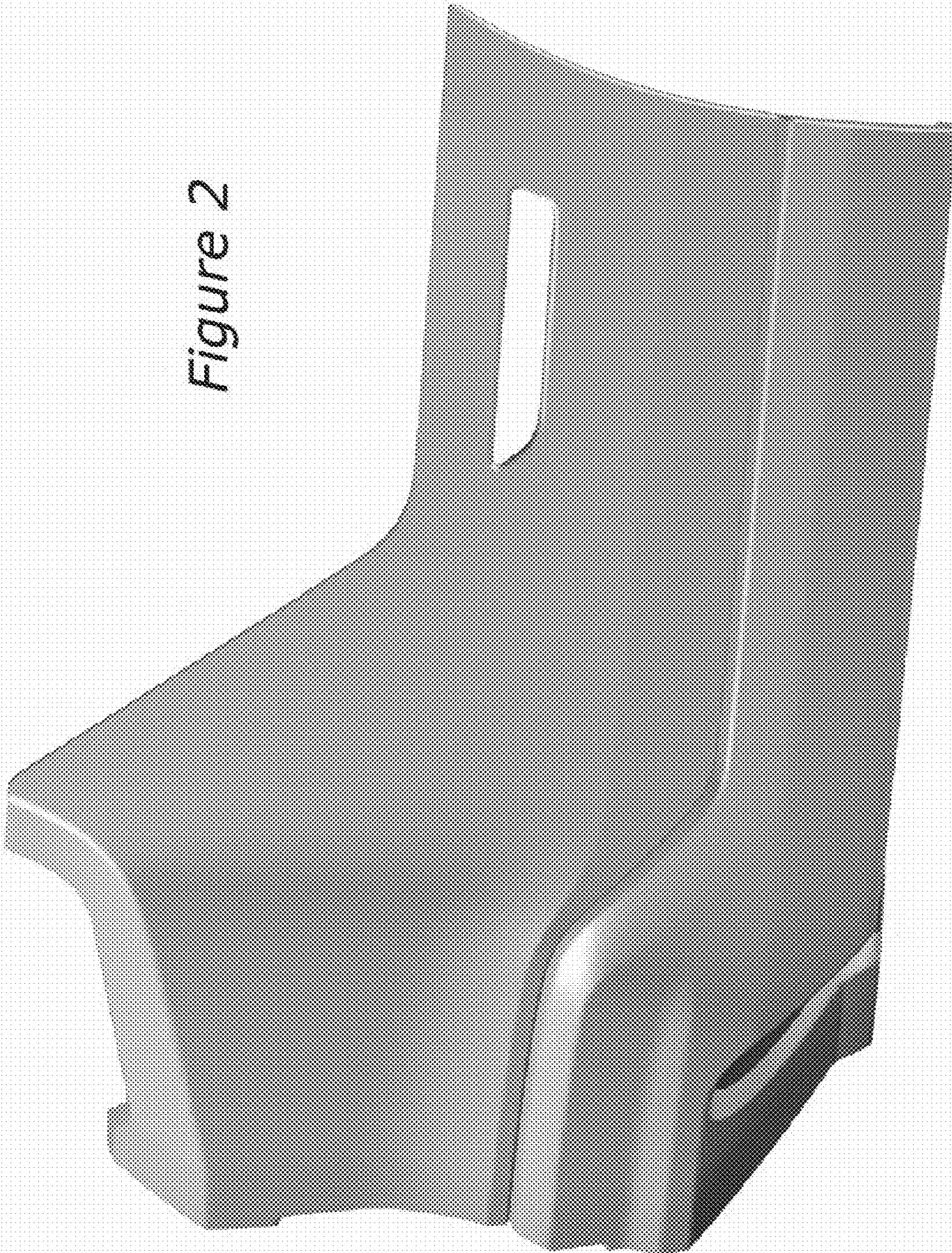


Figure 1

Figure 2



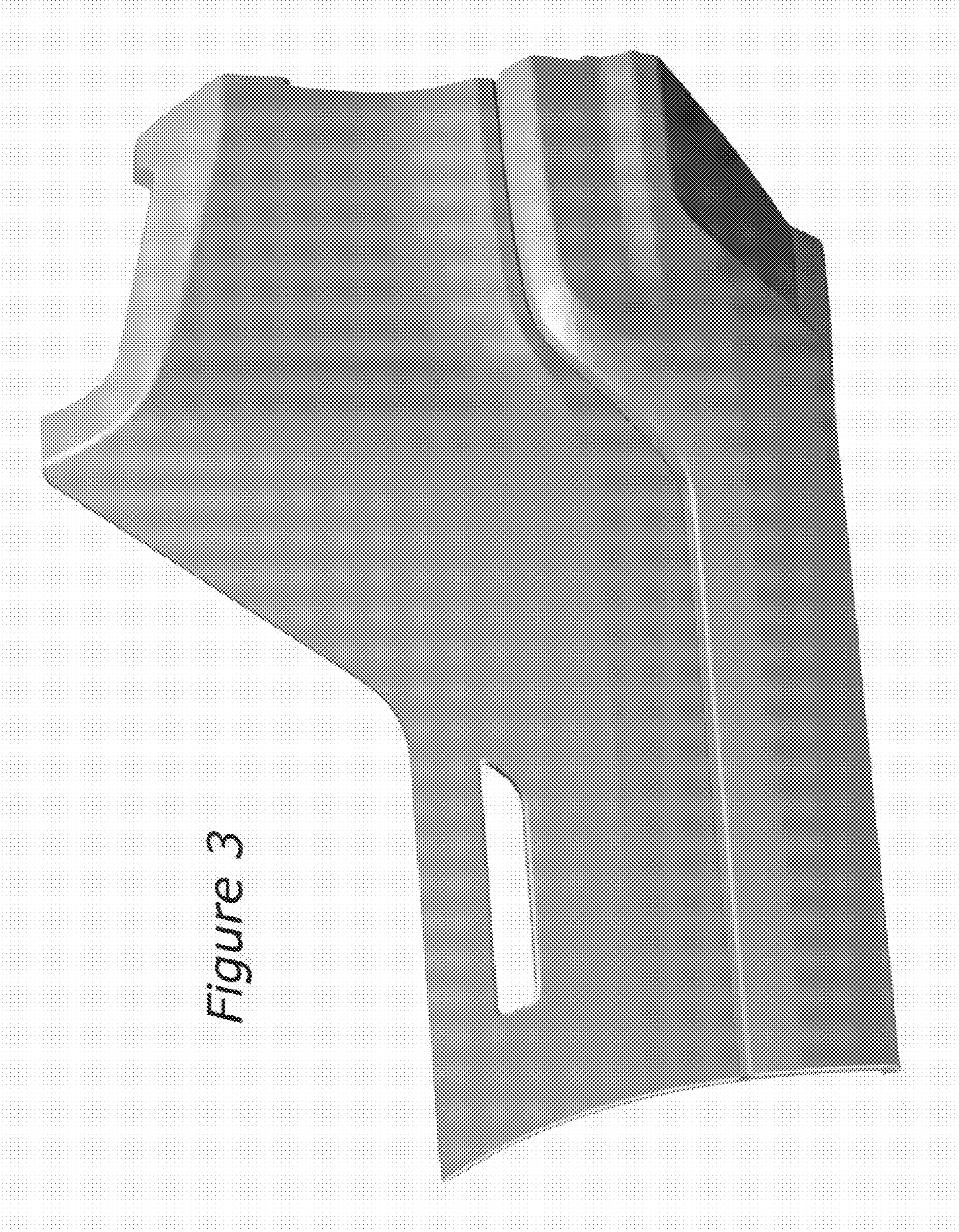


Figure 3

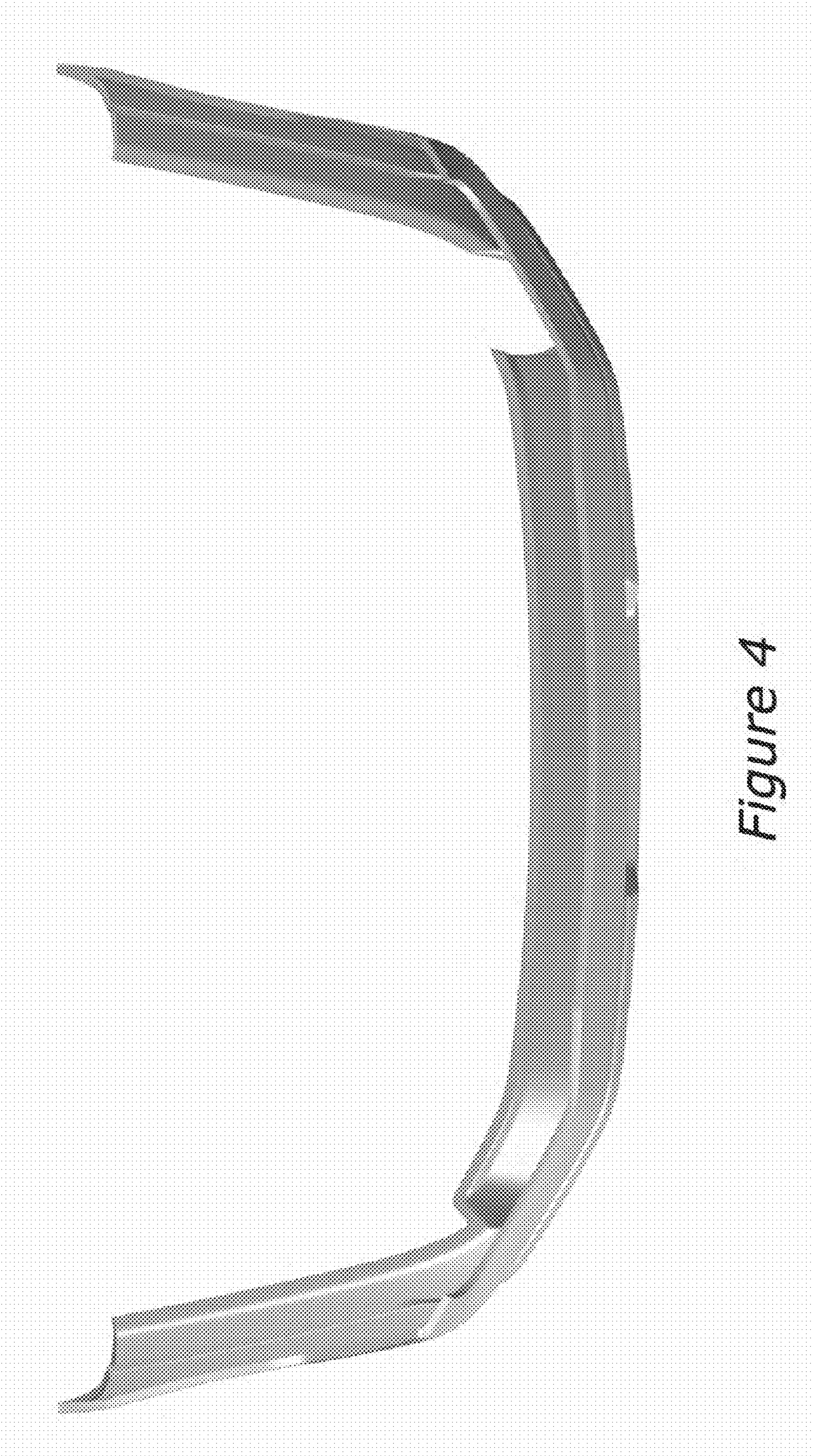


Figure 4

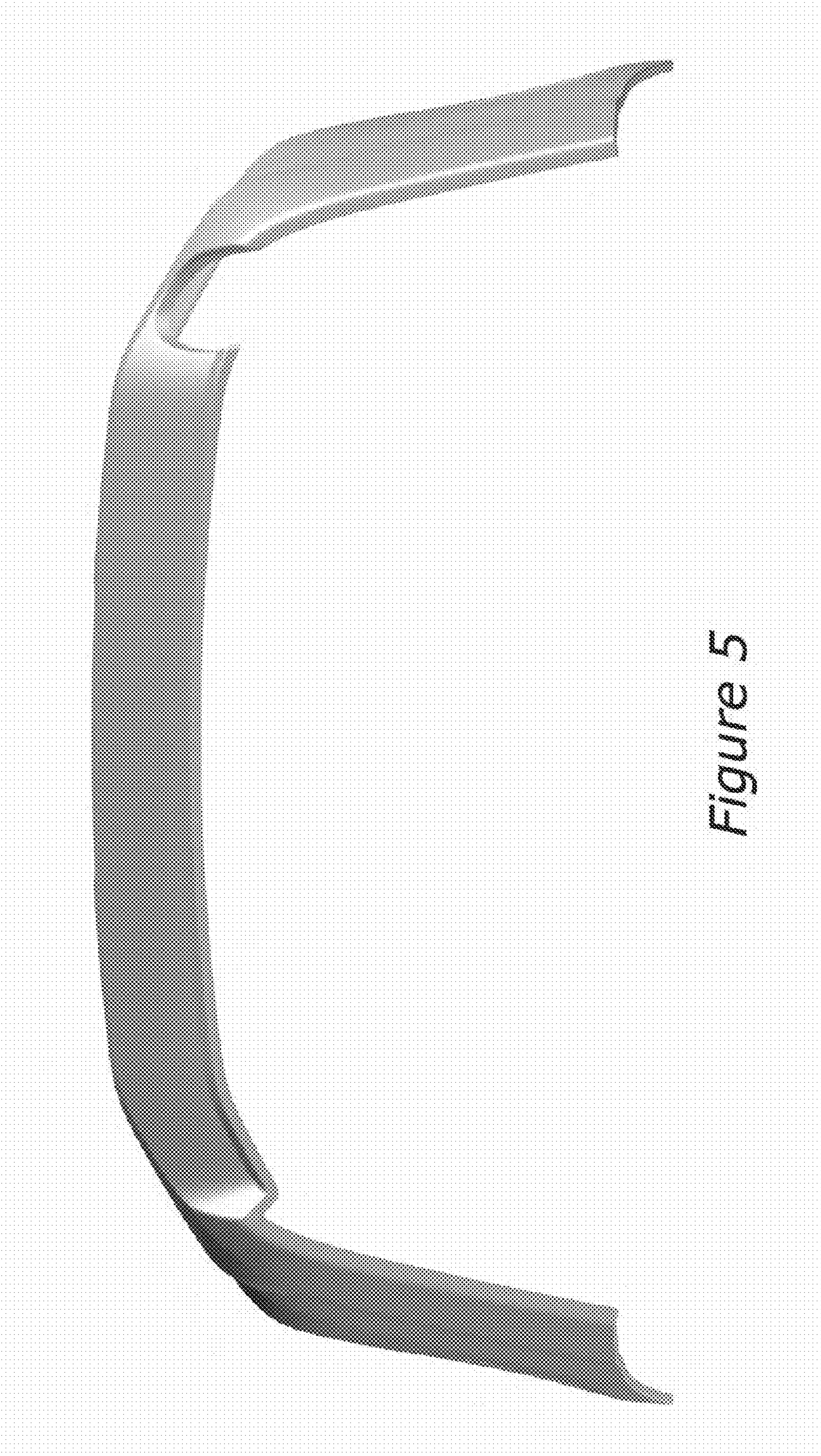


Figure 5