

US00D580834S

(12) **United States Design Patent**  
**Saridakis et al.**

(10) **Patent No.:** **US D580,834 S**

(45) **Date of Patent:** **\*\* Nov. 18, 2008**

(54) **VEHICLE REAR BUMPER COVER**

(75) Inventors: **George Saridakis**, Ann Arbor, MI (US);  
**Douglas Gaffka**, Northville, MI (US);  
**Rick Howard**, Ypsilanti, MI (US)

(73) Assignee: **Ford Motor Company**, Dearborn, MI (US)

(\*\*) Term: **14 Years**

(21) Appl. No.: **29/317,472**

(22) Filed: **Apr. 30, 2008**

**Related U.S. Application Data**

(63) Continuation of application No. 29/279,105, filed on Apr. 19, 2007, now abandoned.

(51) **LOC (8) Cl.** ..... **12-16**

(52) **U.S. Cl.** ..... **D12/169**

(58) **Field of Classification Search** ..... D12/169,  
D12/196, 171, 163, 216, 90-92, 86; 293/102,  
293/113, 115, 117, 120; 296/180.1, 180.2  
See application file for complete search history.

(56) **References Cited**

**U.S. PATENT DOCUMENTS**

D500,969 S	1/2005	Mays	
D500,970 S	1/2005	Mays	
D508,880 S *	8/2005	Minami	D12/169
D516,968 S *	3/2006	Sakae et al.	D12/169
D546,250 S *	7/2007	Hettler	D12/169
D562,742 S *	2/2008	Platto et al.	D12/169
D566,017 S *	4/2008	Pfeiffer	D12/169

**OTHER PUBLICATIONS**

Ford, Mustang GT Convertible, Detroit 2005.  
Ford, Concept Stang, Los Angeles 2006.

Ford, Mustang Shelby GT500, Detroit 2007.

Ford, Mustang, Autoweek, Dec. 18, 2006.

\* cited by examiner

*Primary Examiner*—Melody N Brown

(74) *Attorney, Agent, or Firm*—Damian Porcari

(57) **CLAIM**

The ornamental design of a vehicle rear bumper cover, as shown and described.

**DESCRIPTION**

FIG. 1 is a front elevational view of a vehicle rear bumper cover showing our new design;

FIG. 2 is a right side elevational view of the vehicle rear bumper cover, enlarged to show detail;

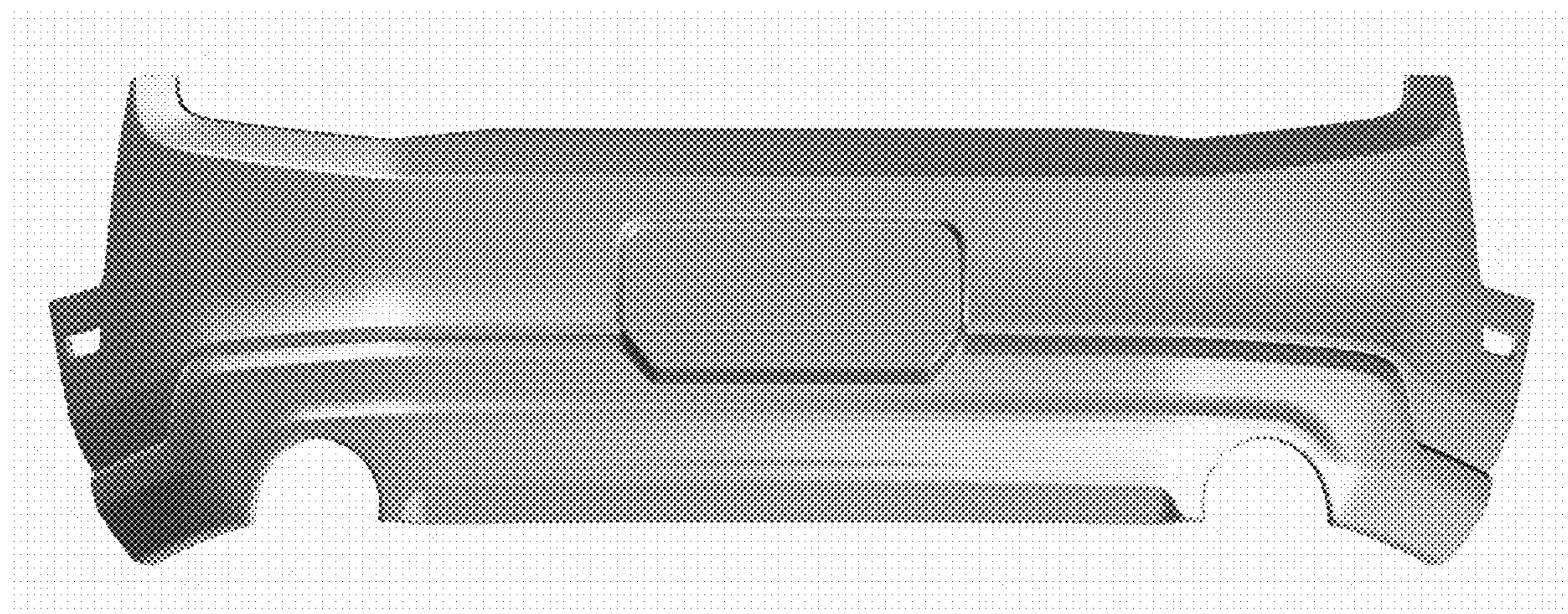
FIG. 3 is a left side elevational view of the vehicle rear bumper cover, enlarged to show detail;

FIG. 4 is a top plan view of the vehicle rear bumper cover; and,

FIG. 5 is bottom plan view of the vehicle rear bumper cover.

The vehicle rear bumper cover is styled independently of adjacent vehicle panels. To the extent that any feature lines are illustrated, they are intended to illustrate the crest and valley of the feature and are not necessarily sharp bends in the part. Shading is used to illustrate the curvature of the part and not color. Any functional features of the vehicle rear bumper cover are not claimed. Views are orthogonal projections unless otherwise noted. The various views are not necessarily to scale in order to better illustrate the design.

**1 Claim, 5 Drawing Sheets**



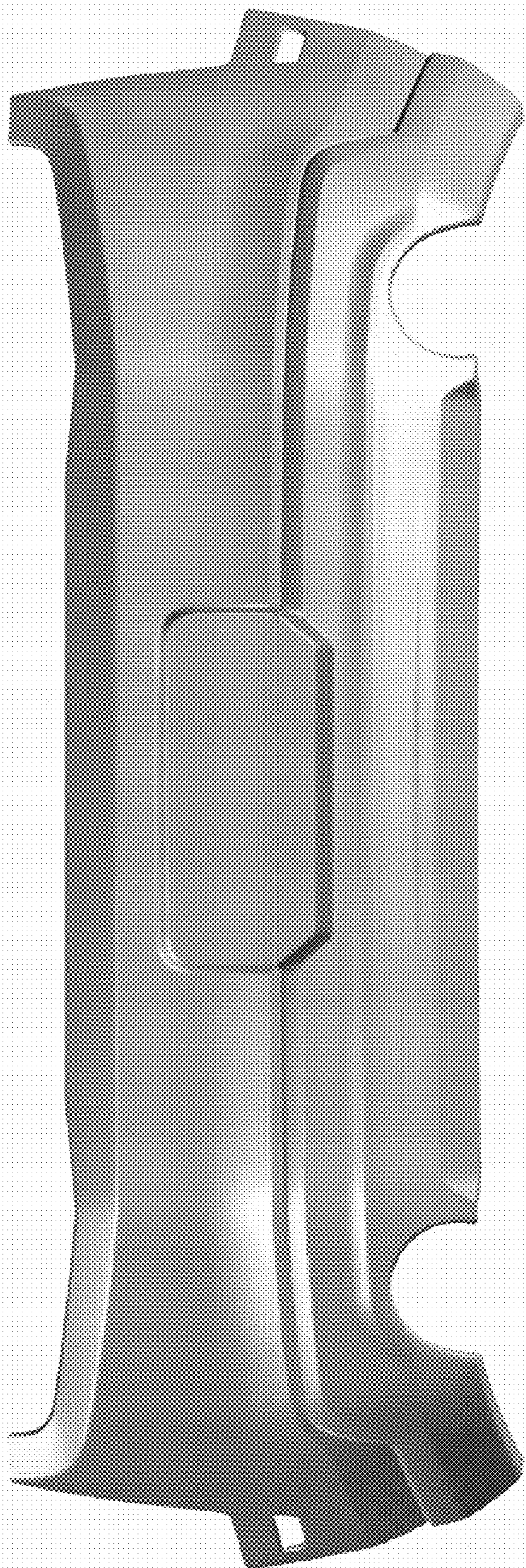


Figure 1

Figure 2



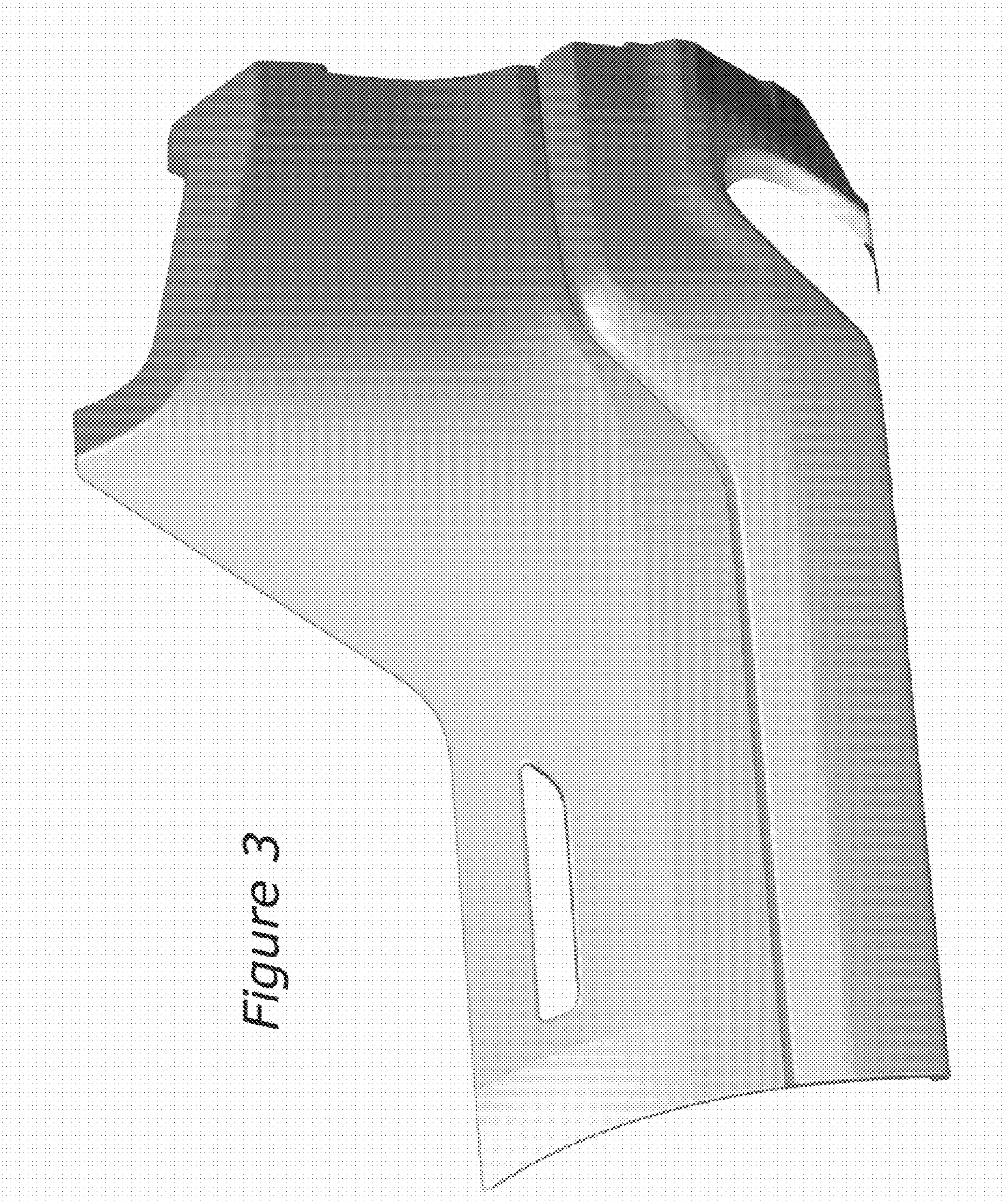


Figure 3

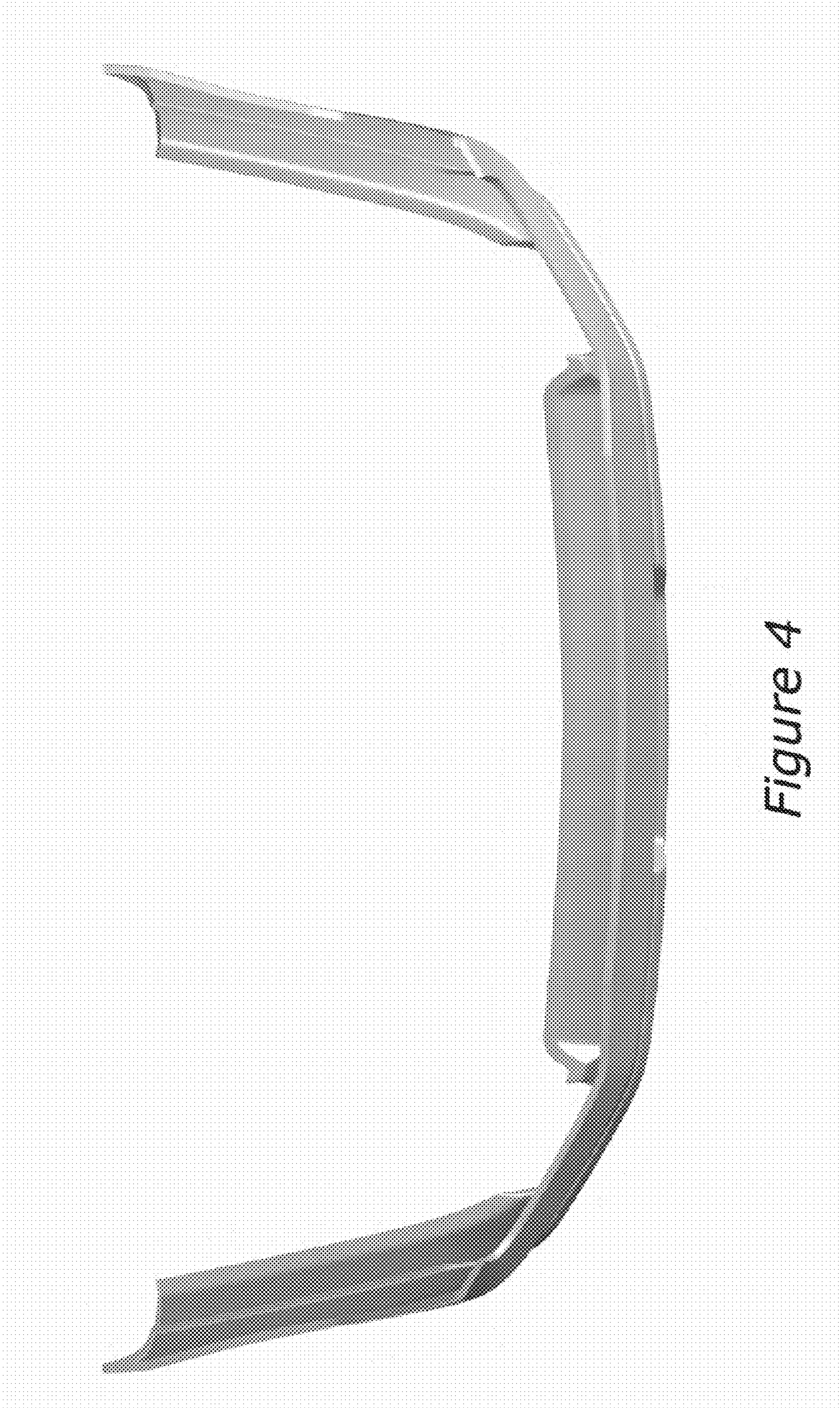


Figure 4

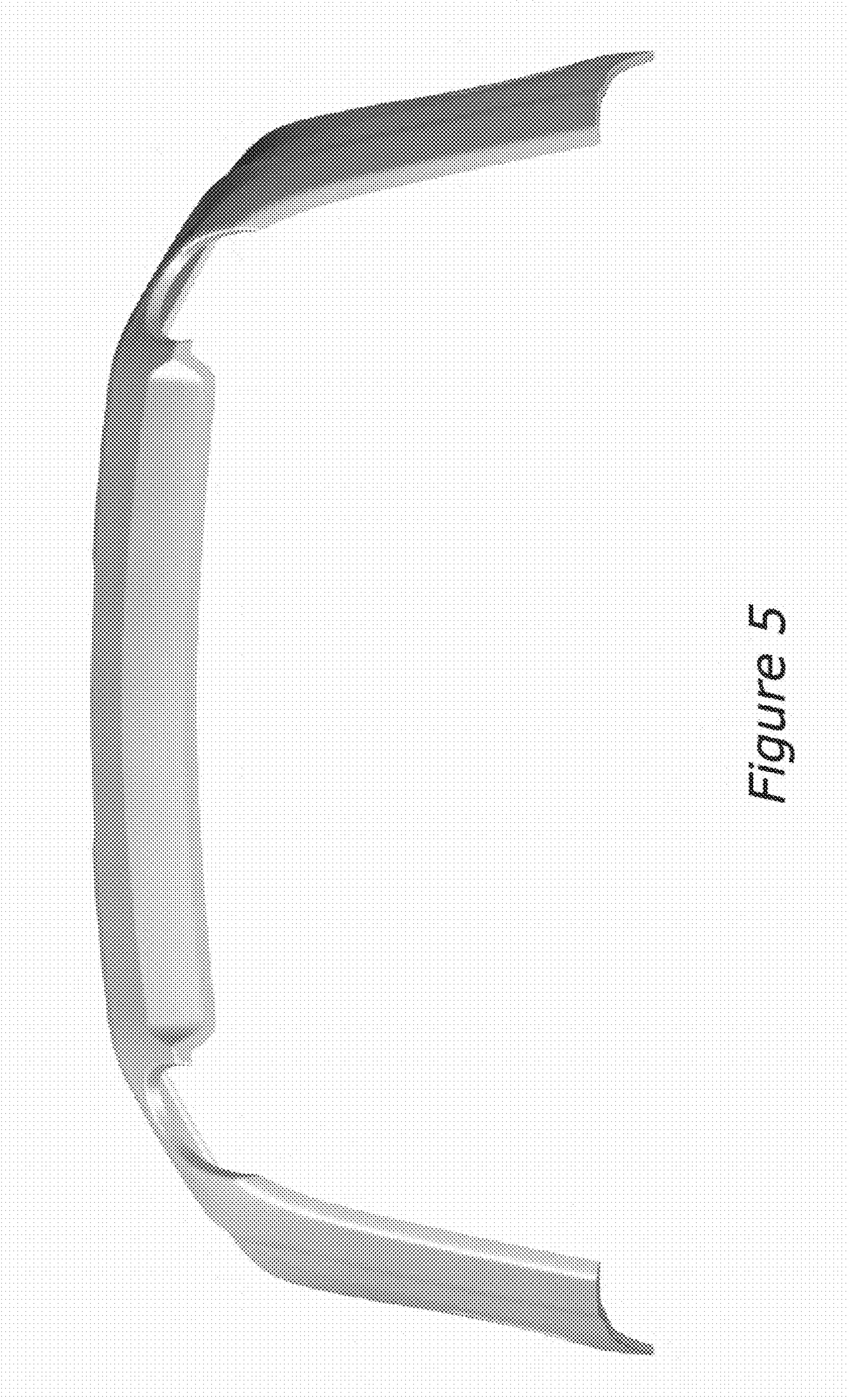


Figure 5