



US00D580832S

(12) **United States Design Patent**  
**Ebel et al.**

(10) **Patent No.:** **US D580,832 S**  
(45) **Date of Patent:** **\*\* Nov. 18, 2008**

(54) **VEHICLE FRONT BUMPER COVER**

(75) Inventors: **Addam Ebel**, Dearborn, MI (US);  
**Solomon H. Song**, Farmington Hills, MI  
(US); **Darrell Paul Behmer**, Novi, MI  
(US); **Moray Stuart Callum**, Ann  
Arbor, MI (US)

(73) Assignee: **Ford Motor Company**, Dearborn, MI  
(US)

(\*\*) Term: **14 Years**

(21) Appl. No.: **29/295,765**

(22) Filed: **Oct. 5, 2007**

(51) **LOC (8) Cl.** ..... **12-16**

(52) **U.S. Cl.** ..... **D12/169**

(58) **Field of Classification Search** ..... D12/169,  
D12/196, 171, 163, 216, 90-92, 86; 293/102,  
293/113, 115, 117, 120; 296/180.1, 180,  
296/2

See application file for complete search history.

(56) **References Cited**

**U.S. PATENT DOCUMENTS**

D436,067 S *	1/2001	Okano et al. ....	D12/169
D479,699 S *	9/2003	Boyer .....	D12/169
D501,162 S *	1/2005	Mays et al. ....	D12/169
D504,366 S *	4/2005	Ishibashi et al. ....	D12/169
D515,991 S *	2/2006	Hanaoka .....	D12/169

**OTHER PUBLICATIONS**

Mercury, Milan Voga unveiled during Miami Fashion Week, Google  
Image Result for [http://www.autoblog.com/media/2006/05/  
milanvoga2500.jpg](http://www.autoblog.com/media/2006/05/milanvoga2500.jpg).

Mercury, Milan, GM Insider at [http://img72.imageshack.us/img72/  
5994/mercurymilanseptember07c13.jpg](http://img72.imageshack.us/img72/5994/mercurymilanseptember07c13.jpg).

Mercury, Concept Meta One, Detroit 2005.  
Mercury, Milan Premier V6, Detroit 2006.

\* cited by examiner

*Primary Examiner*—Melody N Brown  
(74) *Attorney, Agent, or Firm*—Damian Porcari

(57) **CLAIM**

The ornamental design for a vehicle front bumper cover, as  
shown and described.

**DESCRIPTION**

FIG. 1 is a front elevational view of a vehicle front bumper  
cover;

FIG. 2 is a left side elevational view of the vehicle front  
bumper cover;

FIG. 3 is a right side elevational view of the vehicle front  
bumper cover;

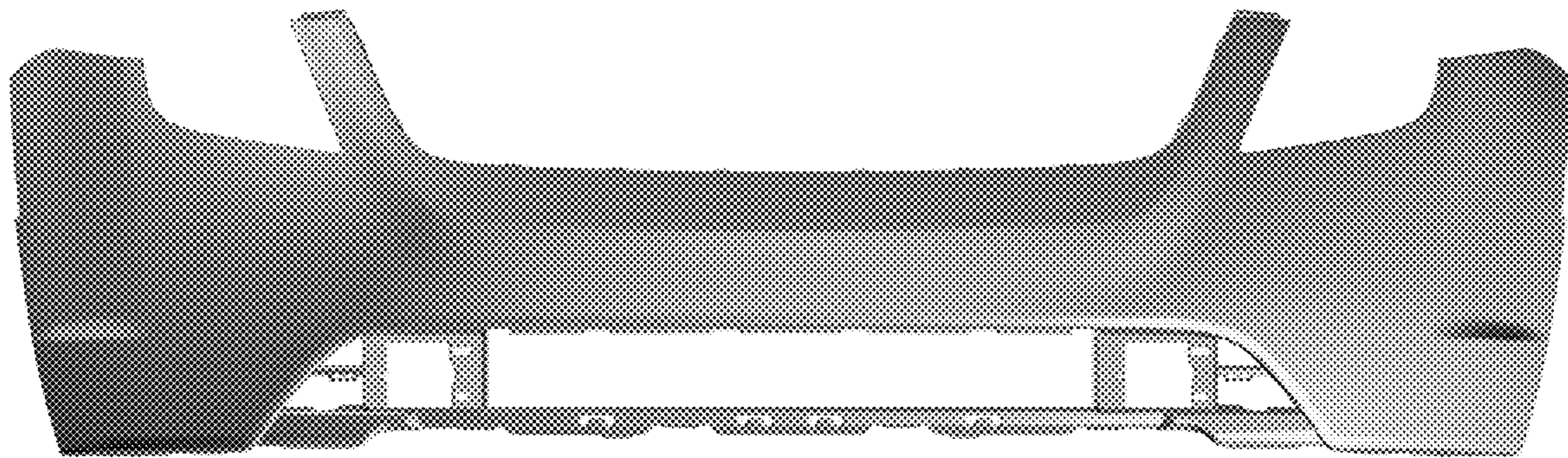
FIG. 4 is a top plan view of the vehicle front bumper cover;

FIG. 5 is a bottom plan view of the vehicle front bumper  
cover; and,

FIG. 6 is a rear elevational view of the vehicle front bumper  
cover.

The Vehicle Front Bumper Cover is styled independently of  
adjacent vehicle panels. To the extent that any feature lines are  
illustrated, they are intended to illustrate the crest and valley  
of the feature and are not necessarily sharp bends in the part.  
Shading is used to illustrate the curvature of the part and not  
color. Areas shown in or sounded by broken lines are not  
claimed. Any functional features of the Vehicle Front Bumper  
Cover are not claimed. Views are orthogonal projections  
unless otherwise noted. The various views are not necessarily  
to scale in order to better illustrate the design.

**1 Claim, 6 Drawing Sheets**



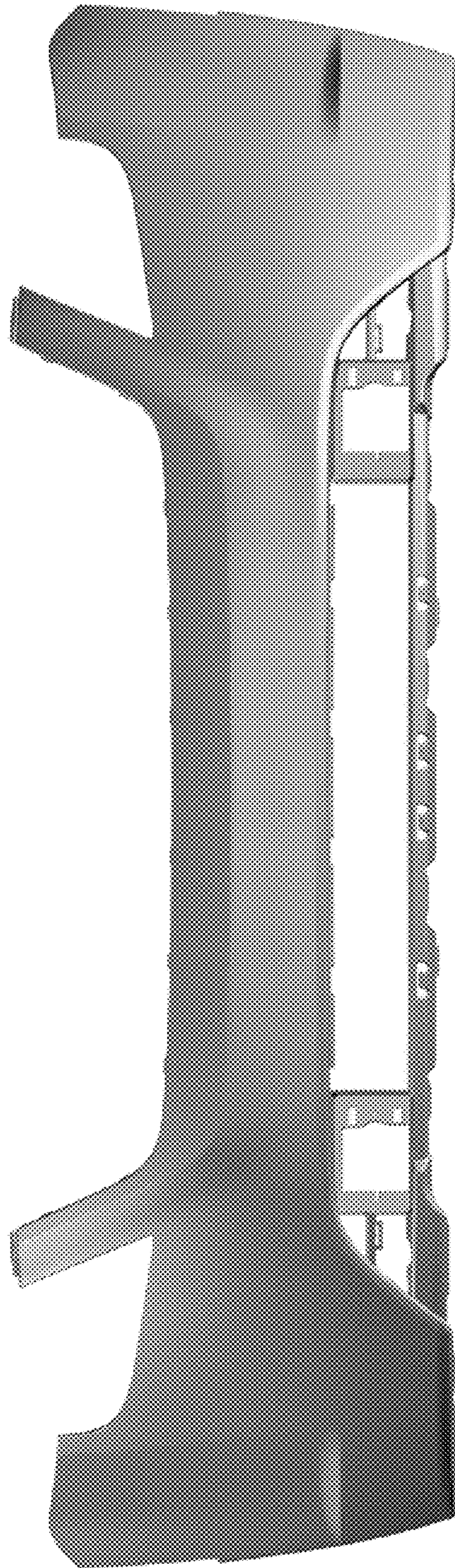


Figure 1

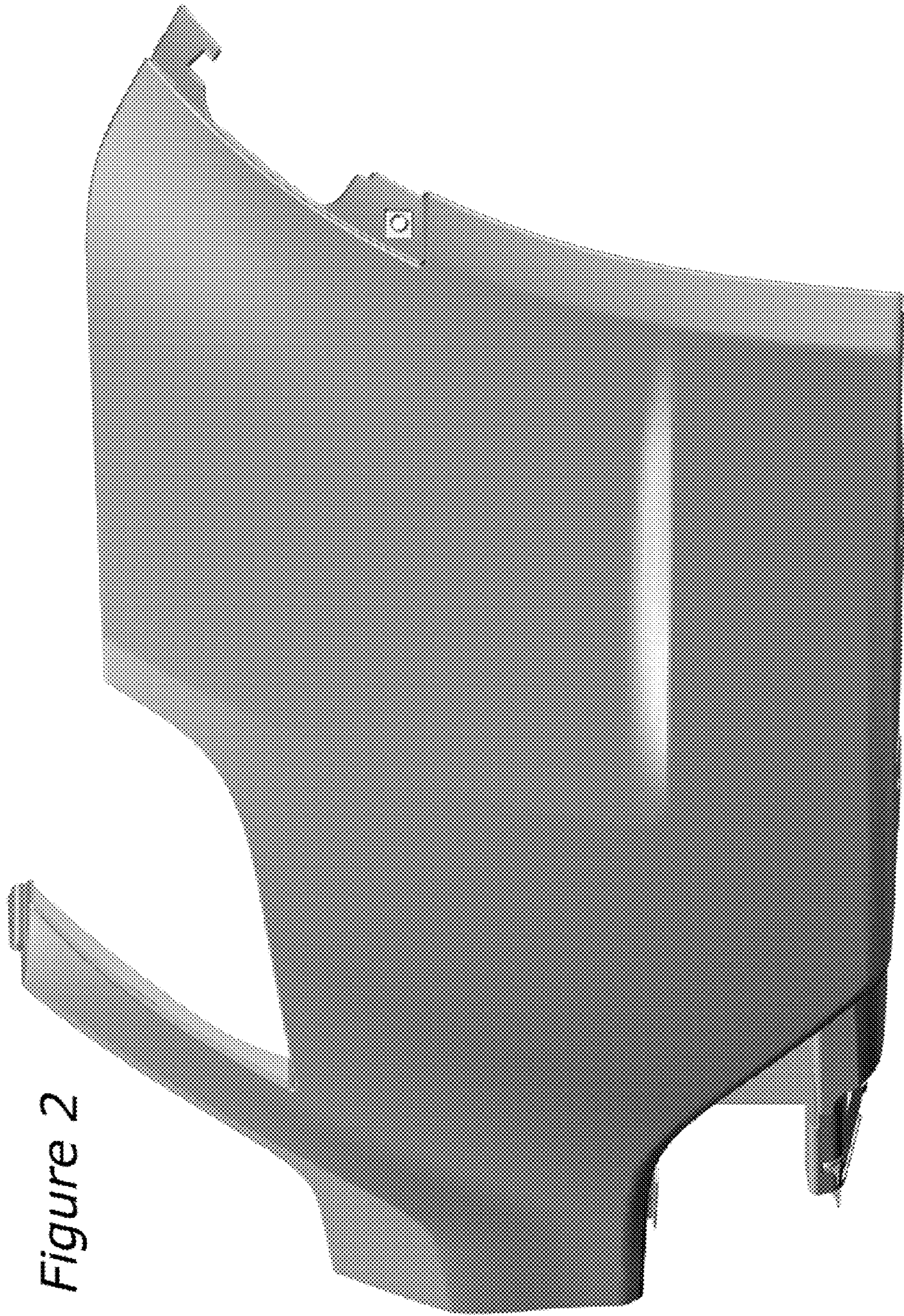
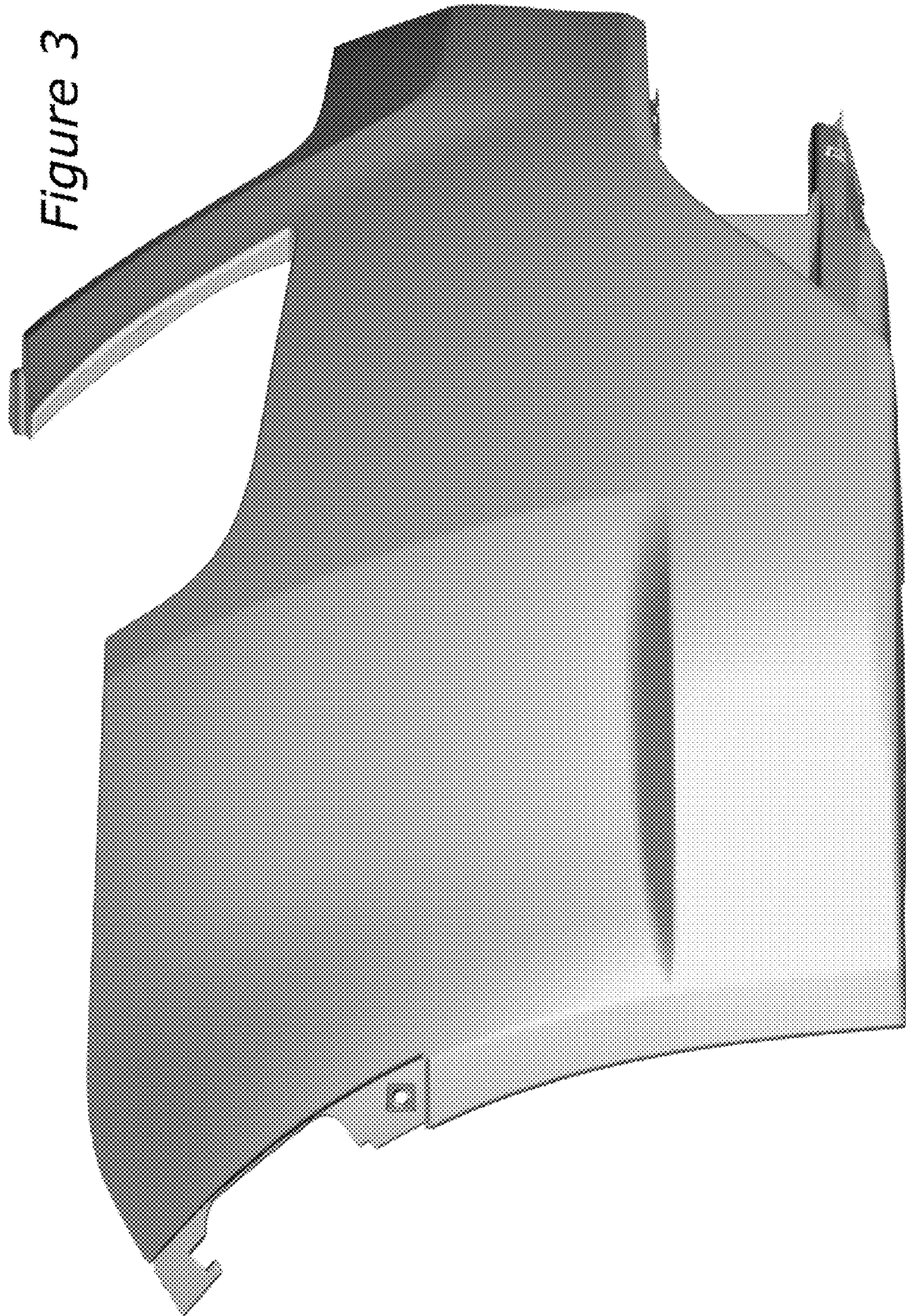


Figure 2

Figure 3



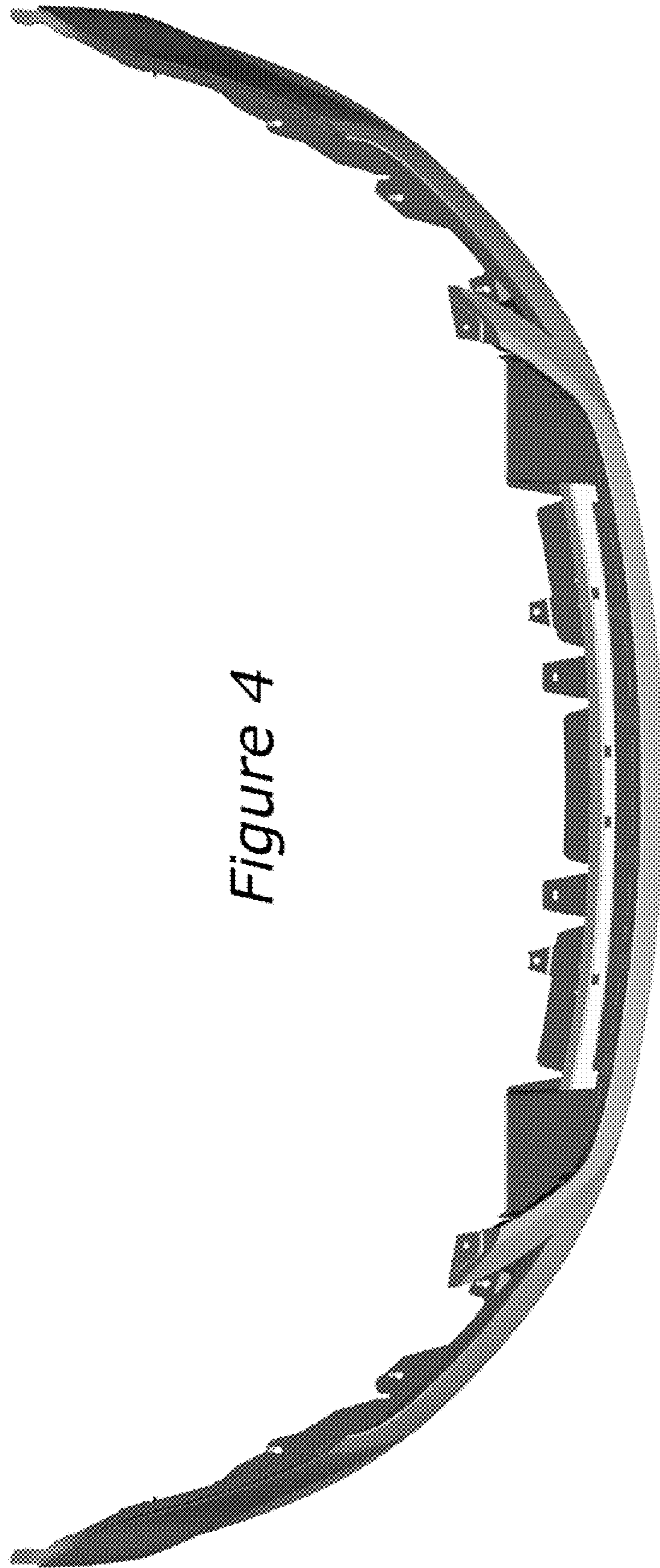


Figure 4

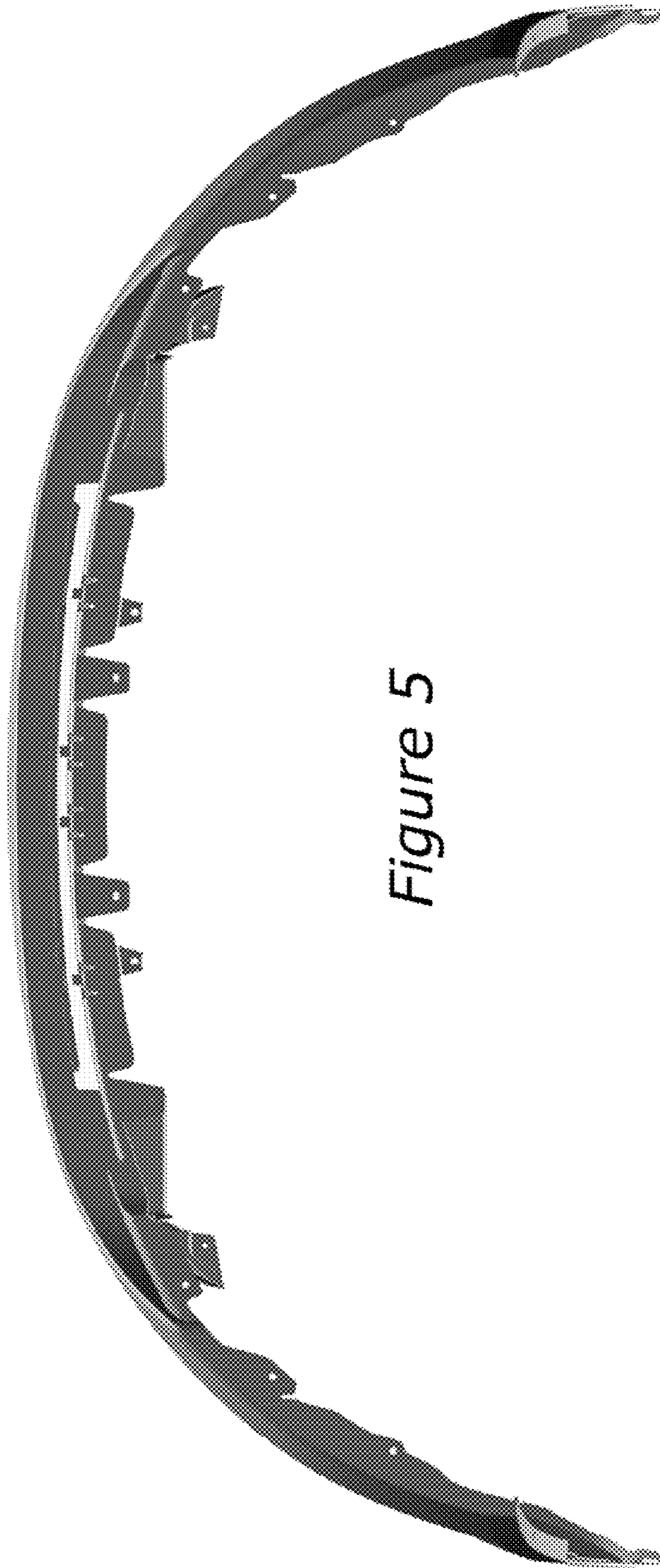


Figure 5

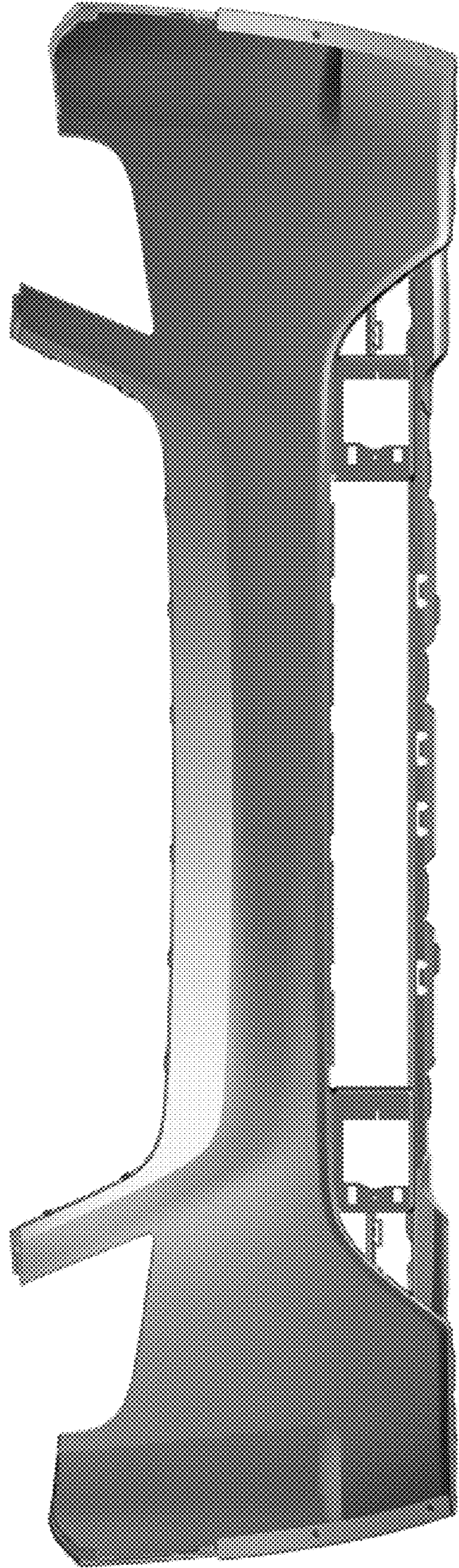


Figure 6