



US00D580831S

(12) **United States Design Patent**  
**Pollard**

(10) **Patent No.:** **US D580,831 S**

(45) **Date of Patent:** **\*\* Nov. 18, 2008**

(54) **FRONT FACE OF A GRILL FOR AN  
AUTOMOBILE**

(76) Inventor: **Robert M. Pollard**, 166 Evening Shade  
Dr., Charleston, SC (US) 29414-9035

(\*\*) Term: **14 Years**

(21) Appl. No.: **29/278,672**

(22) Filed: **Apr. 5, 2007**

(51) **LOC (8) Cl.** ..... **12-16**

(52) **U.S. Cl.** ..... **D12/163**

(58) **Field of Classification Search** ..... D12/163,  
D12/171, 196, 216, 190, 191, 401; 180/68.1,  
180/68.6; 296/193.11; 293/102, 115; 428/98,  
428/99, 31

See application file for complete search history.

(56) **References Cited**

**U.S. PATENT DOCUMENTS**

D431,510 S \* 10/2000 Eskandry ..... D12/191

D444,749 S \* 7/2001 Eskandry ..... D12/191

D464,011 S \* 10/2002 Cicansky ..... D12/216

D492,625 S \* 7/2004 Elwell et al. .... D12/163

D505,898 S \* 6/2005 Marchese et al. .... D12/190

D518,428 S \* 4/2006 Marchese et al. .... D12/190

\* cited by examiner

*Primary Examiner*—Melody N Brown

(74) *Attorney, Agent, or Firm*—Gardner Groff Greenwald &  
Villanueva, PC

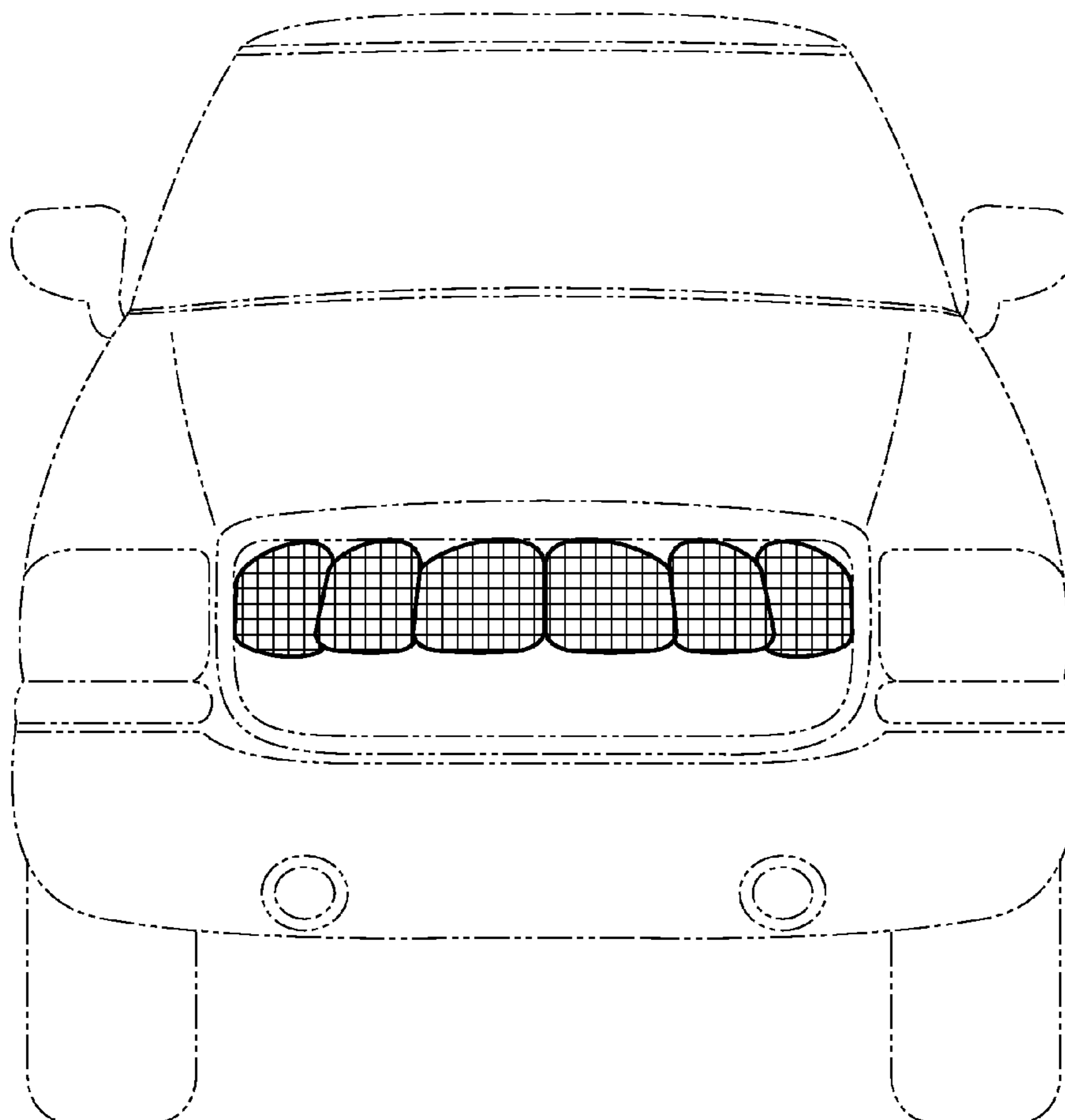
(57) **CLAIM**

The ornamental design for a front face of a grill for an auto-  
mobile, as shown and described.

**DESCRIPTION**

FIG. 1 is a front elevation view of a front face of a grill for an  
automobile showing my new design.

**1 Claim, 1 Drawing Sheet**



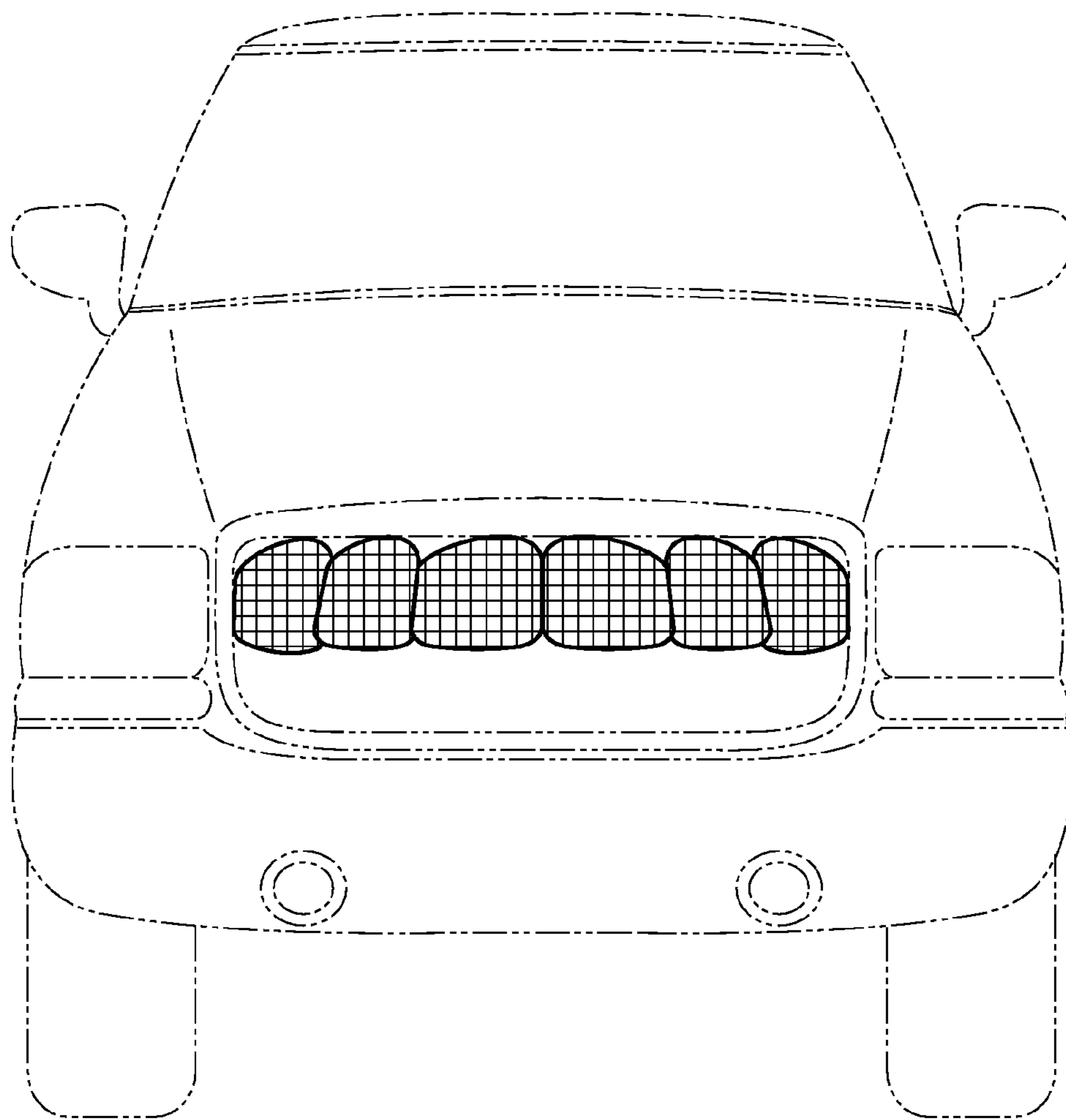


Fig. 1