



US00D580830S

(12) **United States Design Patent**  
**Oakley**

(10) **Patent No.:** **US D580,830 S**

(45) **Date of Patent:** **\*\* Nov. 18, 2008**

(54) **FLAGPOLE FINIAL ADAPTER**

(76) **Inventor:** **Mark E. Oakley**, 625 Loma Vista St., El Segundo, CA (US) 90045

(\*\*) **Term:** **14 Years**

(21) **Appl. No.:** **29/303,805**

(22) **Filed:** **Feb. 18, 2008**

(51) **LOC (8) Cl.** ..... **12-16**

(52) **U.S. Cl.** ..... **D12/162**

(58) **Field of Classification Search** ..... D12/114,  
D12/160, 161, 223; 211/17, 22; 116/1, 173,  
116/28 R; 224/400, 401, 402, 448, 507,  
224/508, 509, 510, 519, 521, 522, 523, 524,  
224/525, 526, 527, 528, 529; 248/512, 538,  
248/539, 591; 33/264; 72/31.04; D11/165,  
D11/166, 167, 168, 169, 170, 171, 172, 173,  
D11/174, 175, 176, 177, 178, 179, 180, 181,  
D11/182, 183; D25/107, 108, 118, 119,  
D25/121, 122, 126, 127, 156, 38, 39, 40,  
D25/41, 43, 44, 62; D3/10, 11, 12, 13, 14,  
D3/15, 16, 17, 5, 6, 7, 8, 9; D6/495; D8/378,  
D8/379; 24/514

See application file for complete search history.

(56) **References Cited**

**U.S. PATENT DOCUMENTS**

D221,616 S \* 8/1971 Hollander ..... D6/495

D350,307 S \* 9/1994 Willis et al. .... D11/181  
D350,309 S \* 9/1994 Willis et al. .... D11/181  
D454,404 S \* 3/2002 Merrick ..... D25/135

\* cited by examiner

*Primary Examiner*—Louis S Zarfaz

*Assistant Examiner*—Michael A Pratt

(74) *Attorney, Agent, or Firm*—Aka Chan LLP

(57) **CLAIM**

The ornamental design for a flagpole finial adapter, as shown and described.

**DESCRIPTION**

FIG. 1 shows a top perspective view of a design for a flagpole finial adapter.

FIG. 2 shows a bottom perspective view of the design.

FIG. 3 shows a top view of the design.

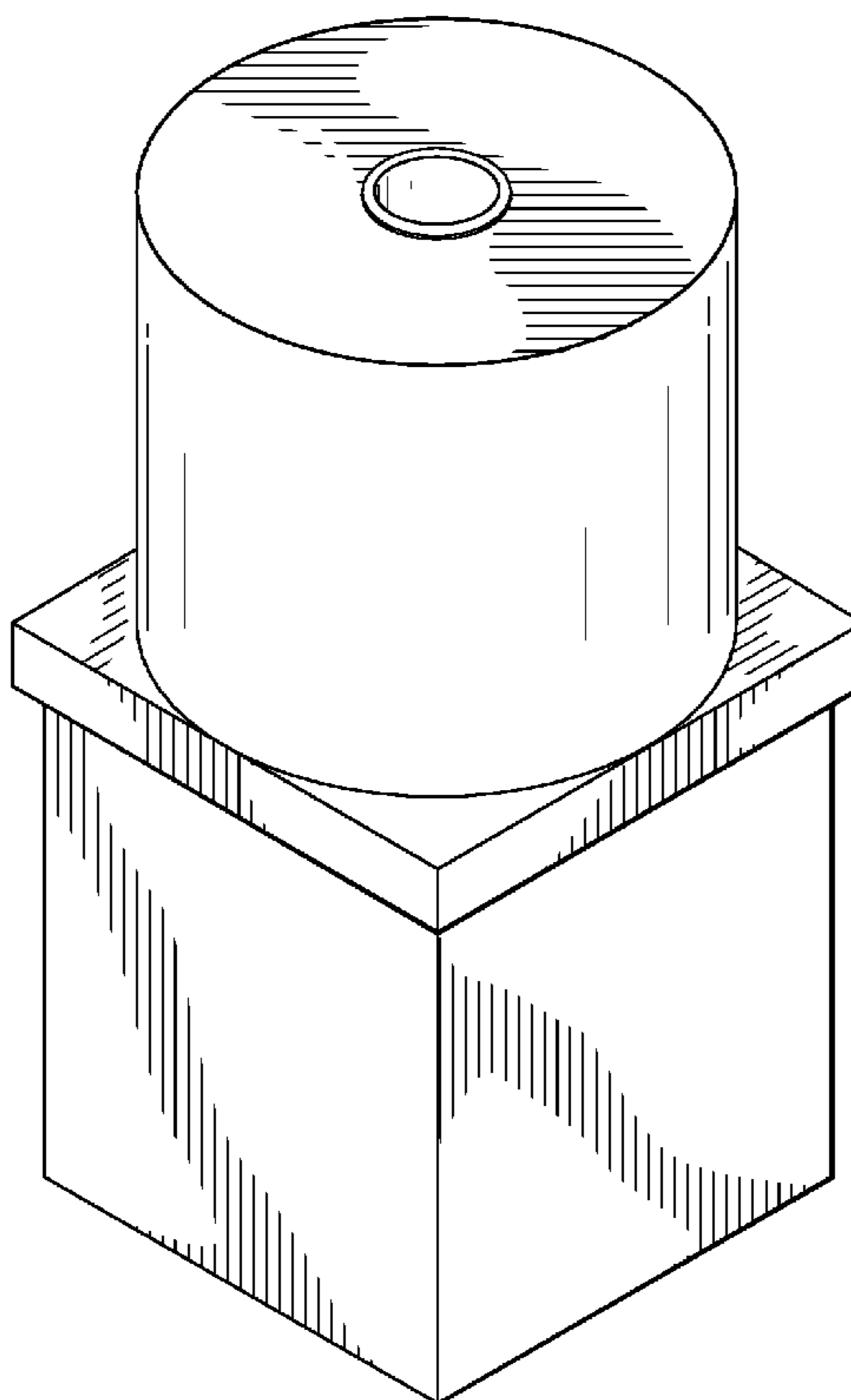
FIG. 4 shows a bottom view of the design.

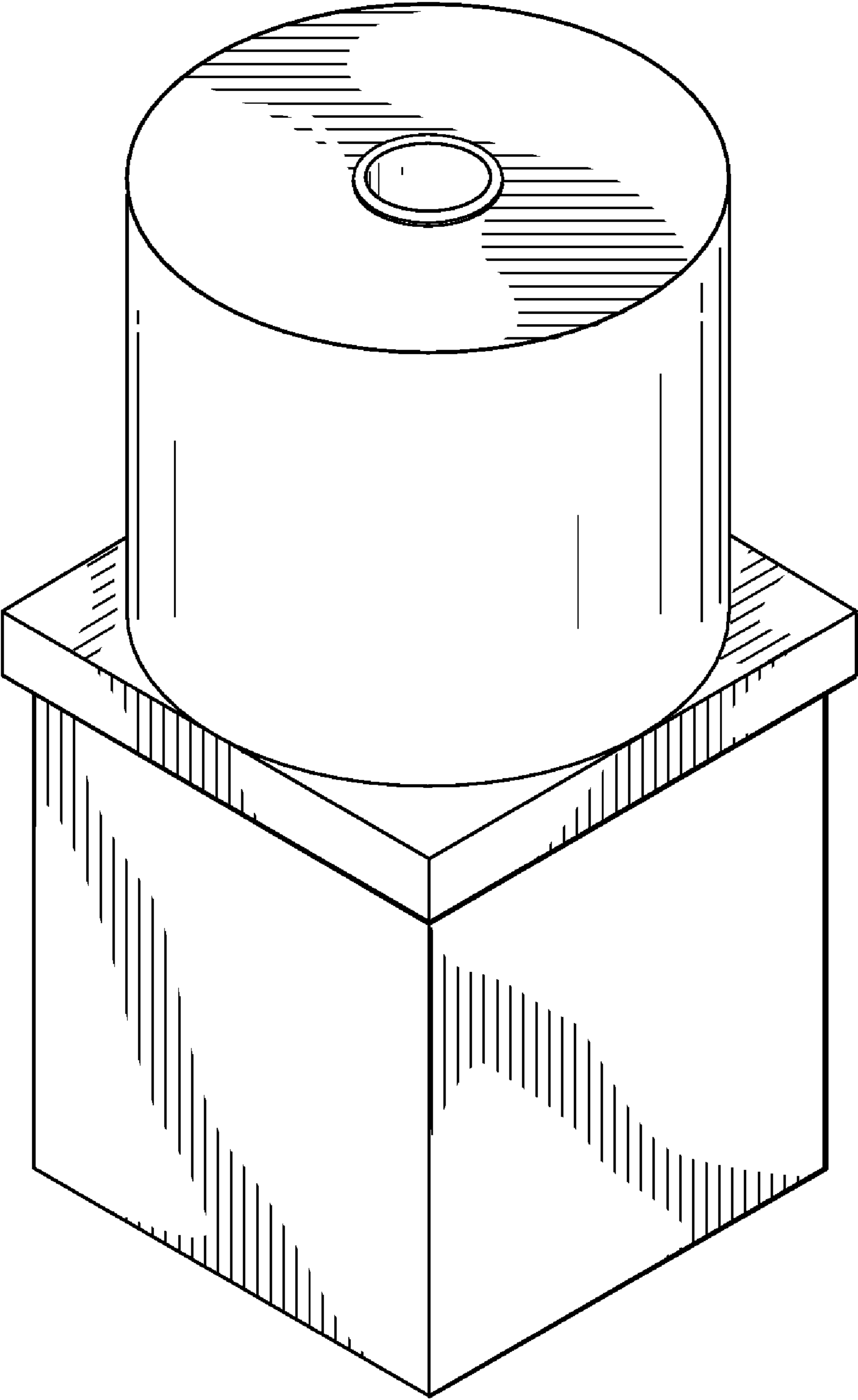
FIG. 5 shows a side view of the design. Other side views of the design are the same; and,

FIG. 6 shows a view of the design when used in a flagpole with finial.

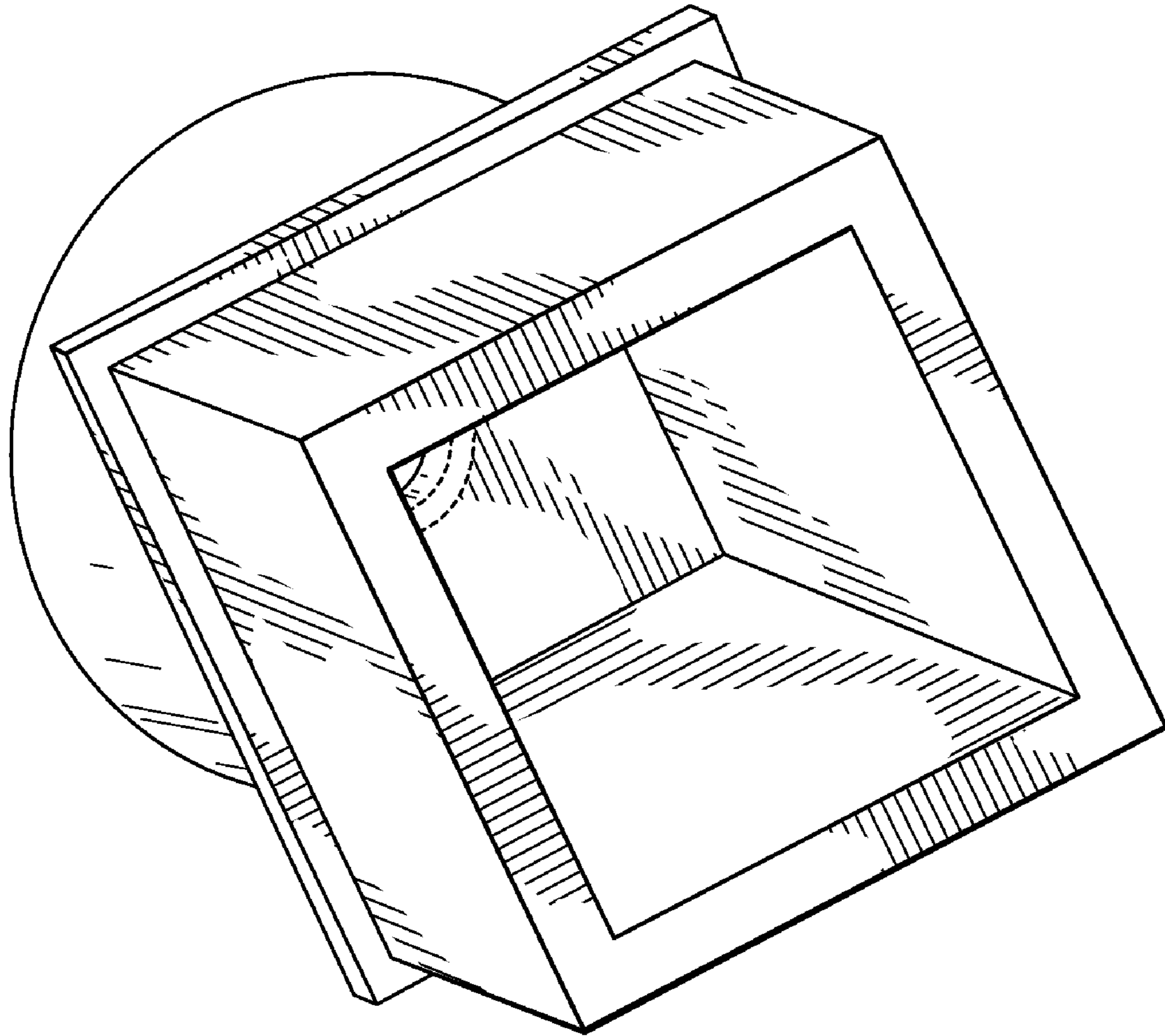
The broken-line features in the figures are for illustrative purposes only and form no part of the claimed design.

**1 Claim, 5 Drawing Sheets**

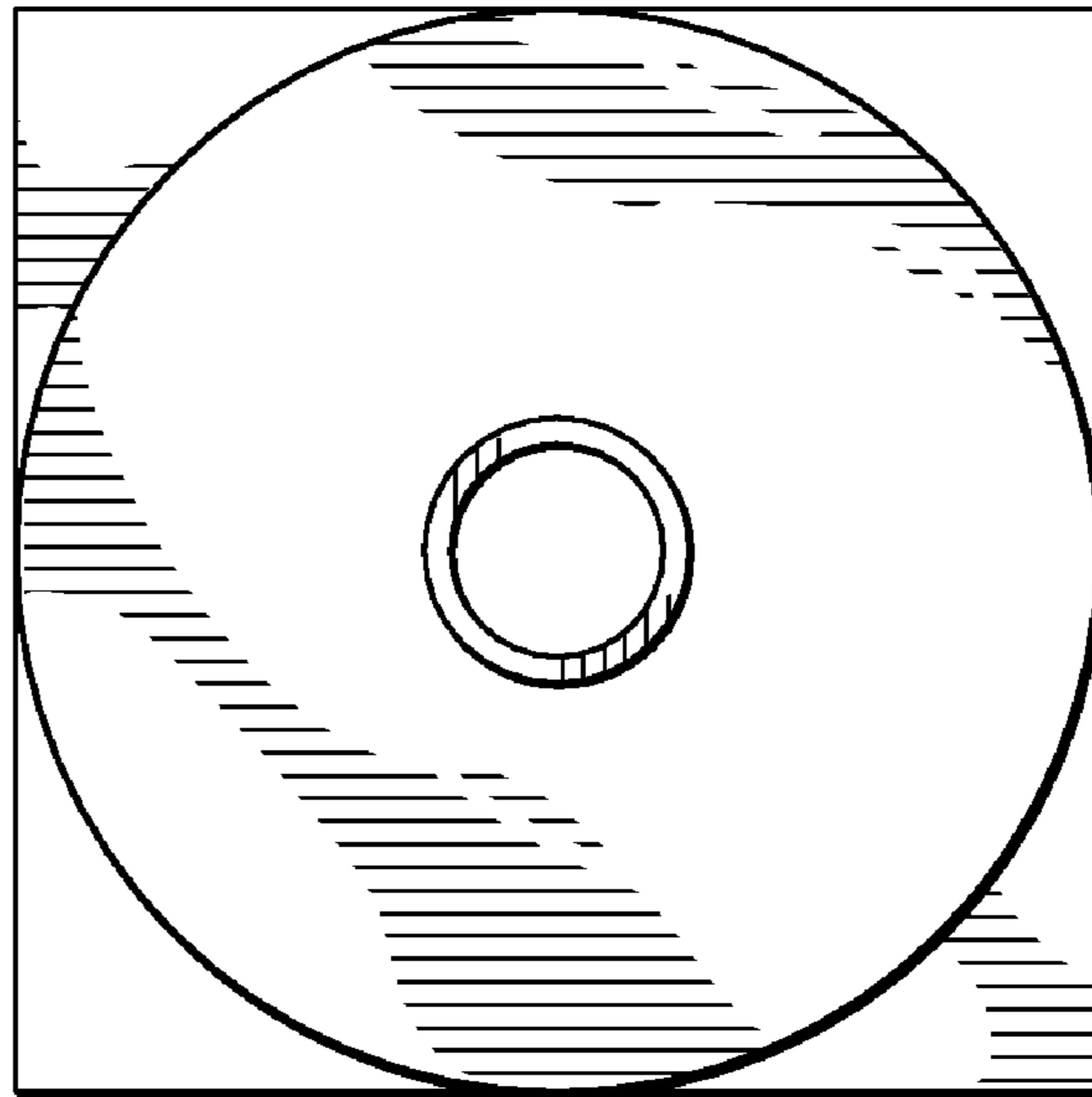




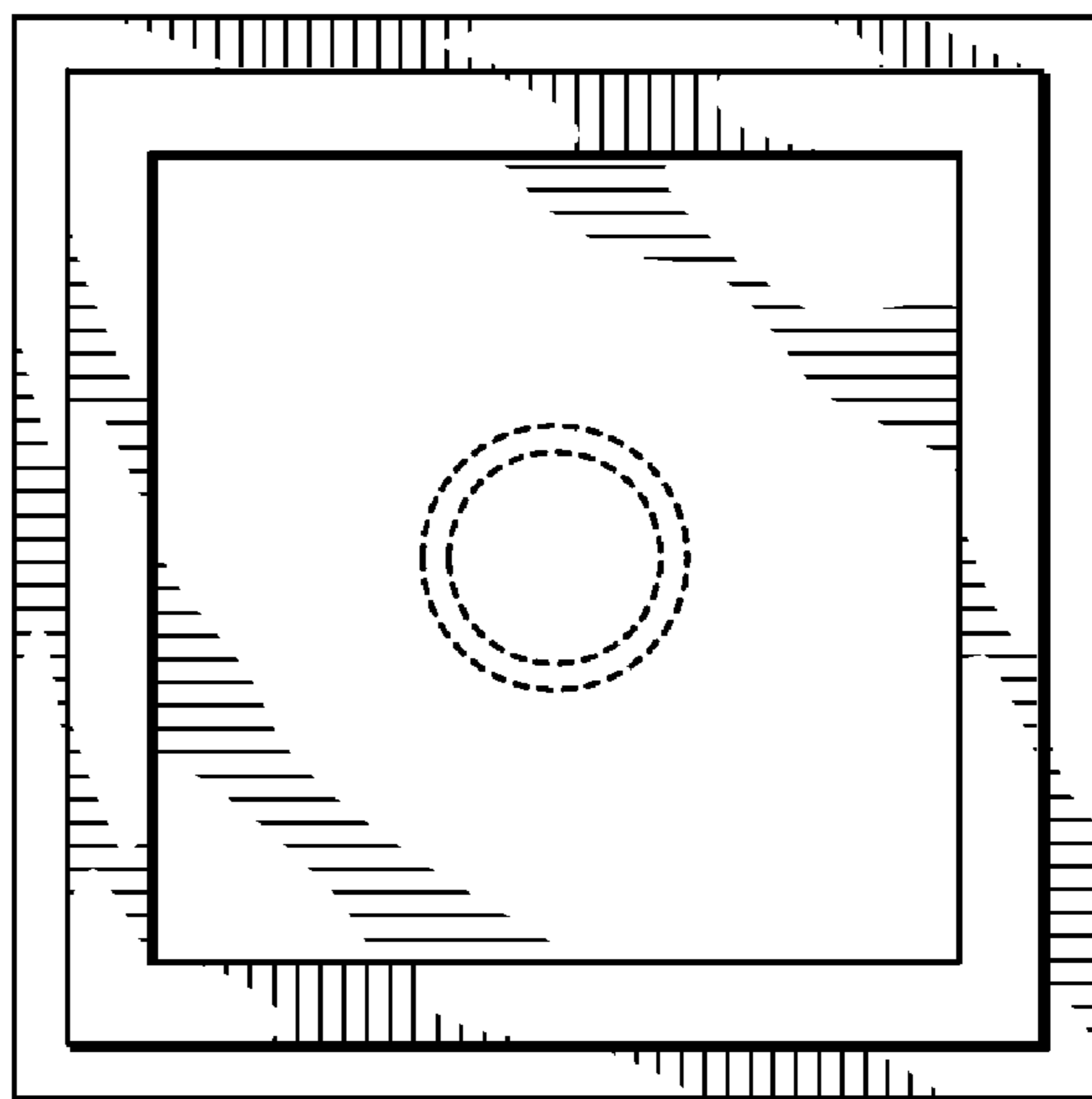
**FIG. 1**



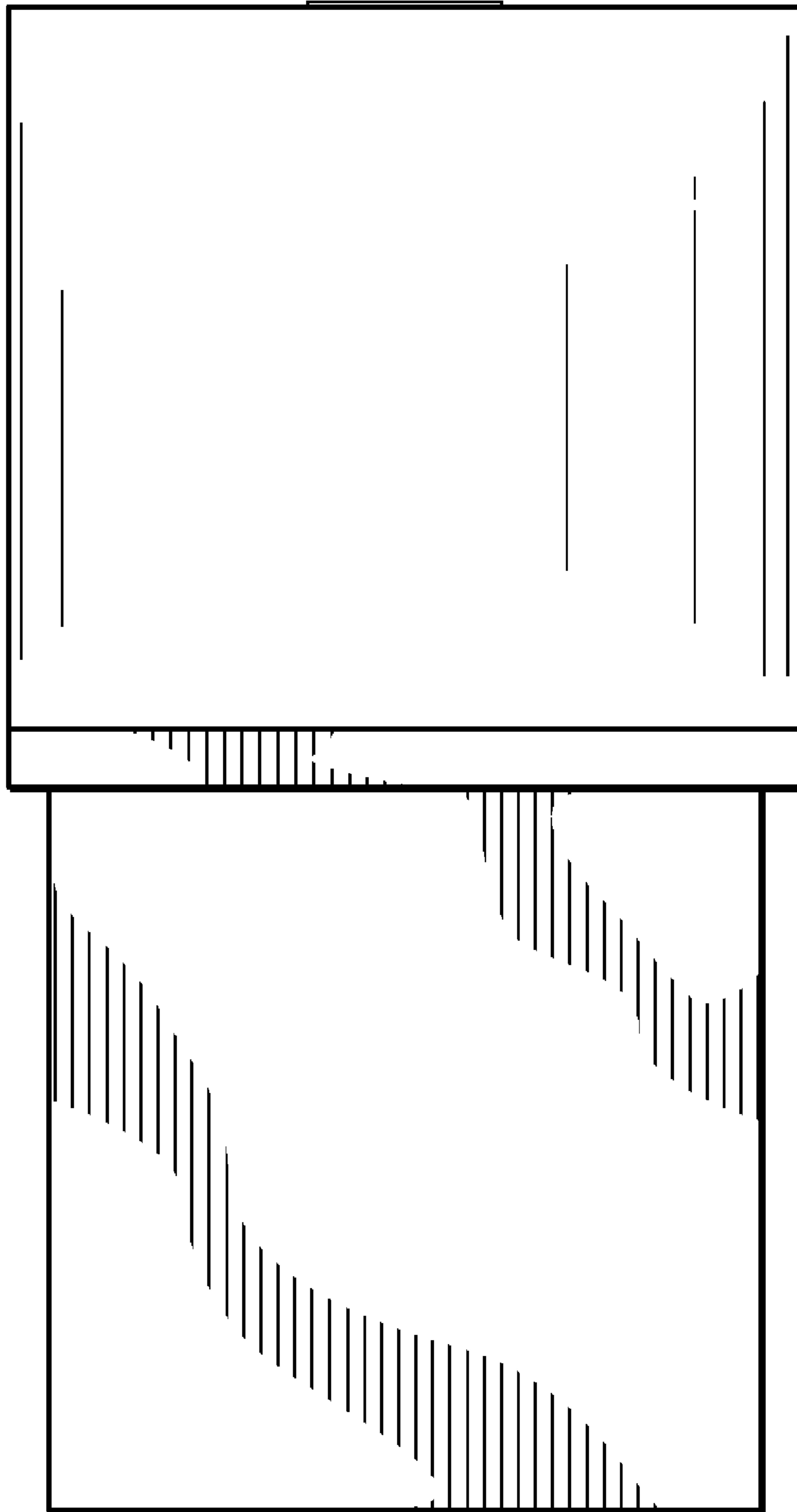
**FIG. 2**



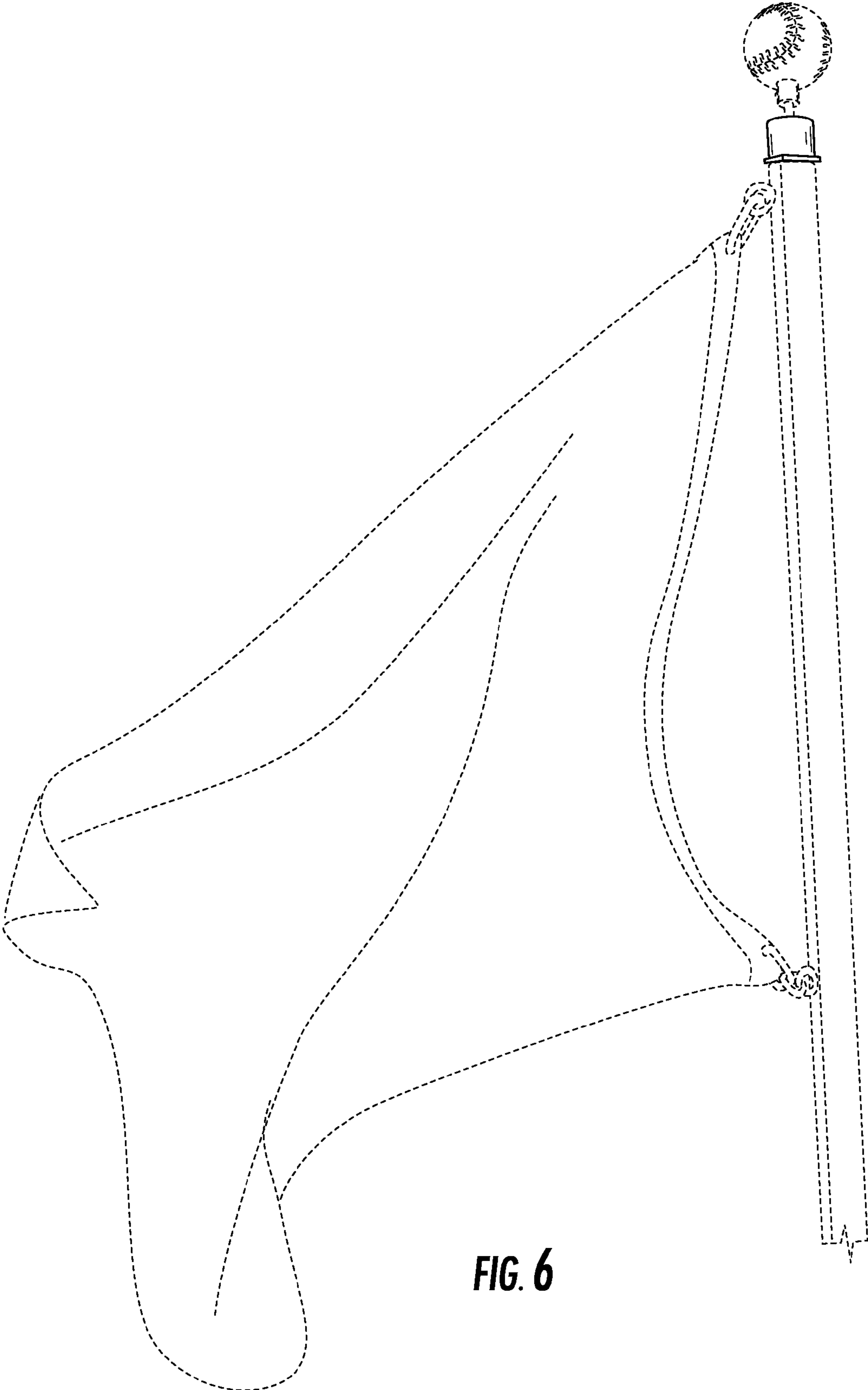
**FIG. 3**



**FIG. 4**



**FIG. 5**



**FIG. 6**