



US00D580827S

(12) **United States Design Patent**
Buckan

(10) **Patent No.:** **US D580,827 S**

(45) **Date of Patent:** **** Nov. 18, 2008**

(54) **MOTORCYCLE, TOY, OR MOTORCYCLE
REPLICA**

(75) **Inventor:** **Alexander Buckan**, Groebenzell (DE)

(73) **Assignee:** **Bayerische Motoren Werke
Aktiengesellschaft**, Munich (DE)

(**) **Term:** **14 Years**

(21) **Appl. No.:** **29/287,505**

(22) **Filed:** **Aug. 16, 2007**

(30) **Foreign Application Priority Data**

Feb. 17, 2007 (DE) 40701004

(51) **LOC (8) Cl.** **12-11**

(52) **U.S. Cl.** **D12/110**

(58) **Field of Classification Search** D12/110;
180/219, 220, 225, 229, 227; D21/432, 538;
446/440; 280/827, 828

See application file for complete search history.

(56) **References Cited**

U.S. PATENT DOCUMENTS

D378,204 S *	2/1997	Heinrich et al.	D12/110
D380,989 S *	7/1997	Abe et al.	D12/110
D382,835 S *	8/1997	Abe et al.	D12/110
D400,605 S *	11/1998	Rodriguez Ferre	D12/110
D406,801 S *	3/1999	Robb et al.	D12/110
D422,244 S *	4/2000	Heinrich et al.	D12/110
D437,262 S *	2/2001	Robb et al.	D12/110
D444,103 S *	6/2001	Robb et al.	D12/110

D455,373 S *	4/2002	Robb et al.	D12/110
D500,463 S *	1/2005	Heinrich et al.	D12/110
D519,883 S *	5/2006	Robb	D12/110
D531,089 S *	10/2006	Heinrich et al.	D12/110
D549,617 S *	8/2007	Robb	D12/110

* cited by examiner

Primary Examiner—Ian Simmons

Assistant Examiner—Linda Brooks

(74) *Attorney, Agent, or Firm*—Crowell & Moring LLP

(57) **CLAIM**

The ornamental design for a motorcycle, toy, or motorcycle replica, as shown and described.

DESCRIPTION

FIG. 1 is a left, front perspective view of a motorcycle, toy, or motorcycle replica according to my novel design;

FIG. 2 is a right, front perspective view thereof;

FIG. 3 is a left, rear perspective view thereof;

FIG. 4 is a right, rear perspective view thereof;

FIG. 5 is a left side view thereof;

FIG. 6 is a right side view thereof;

FIG. 7 is a front view thereof;

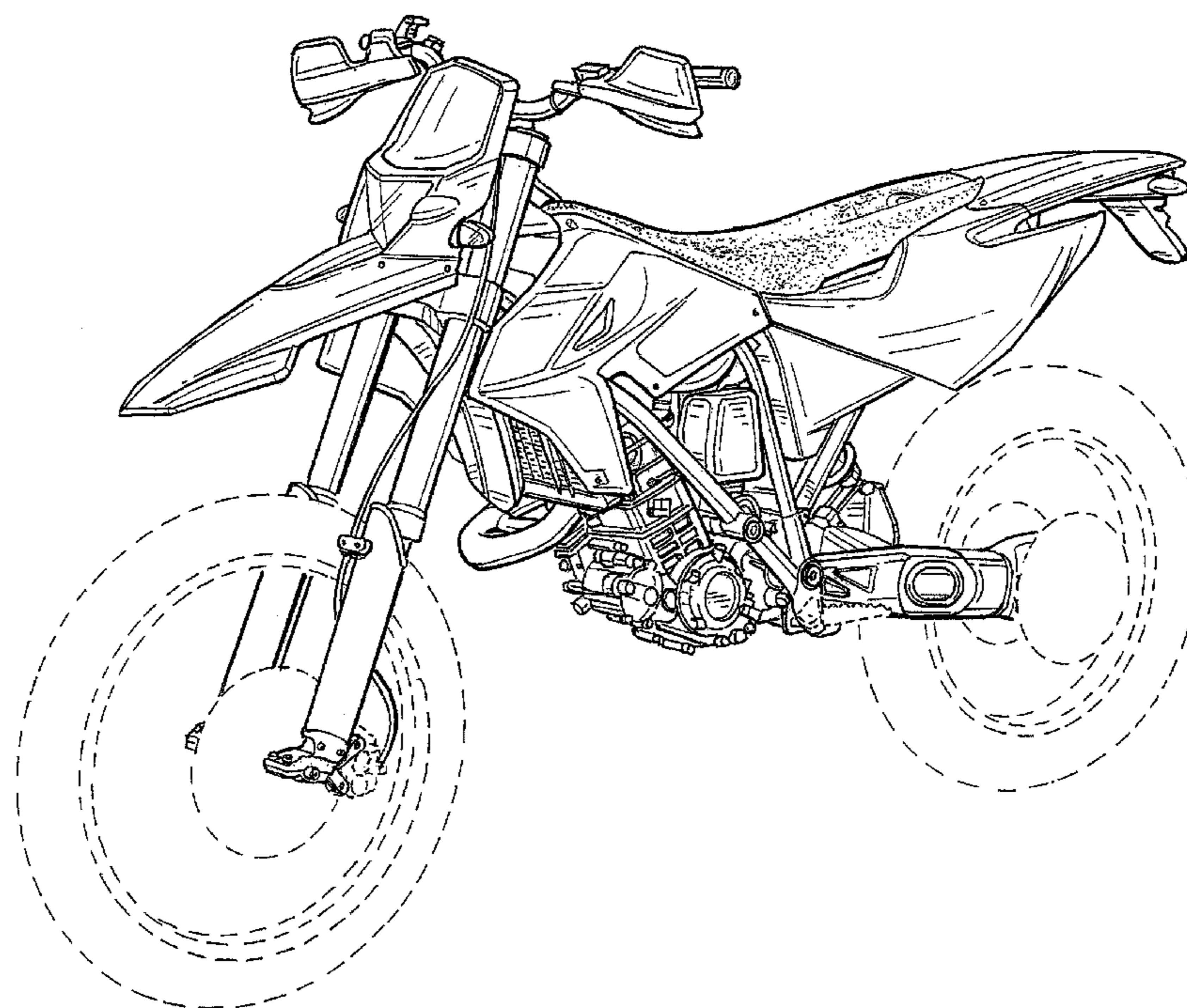
FIG. 8 is a rear view thereof;

FIG. 9 is a top view thereof; and,

FIG. 10 is a bottom view thereof.

The broken lines showing portions of the motorcycle, toy, or motorcycle replica form no part of the claimed design.

1 Claim, 9 Drawing Sheets



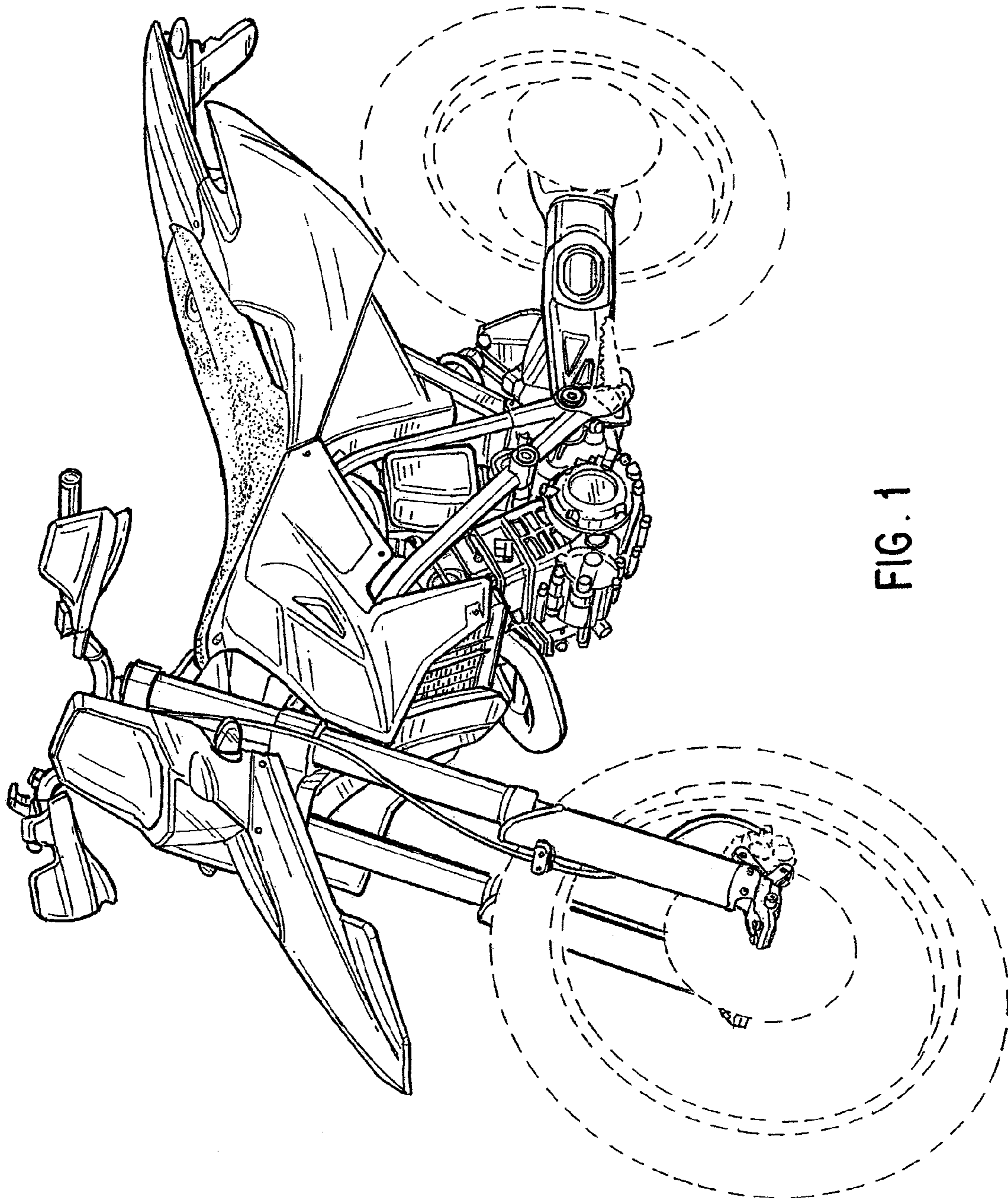


FIG. 1

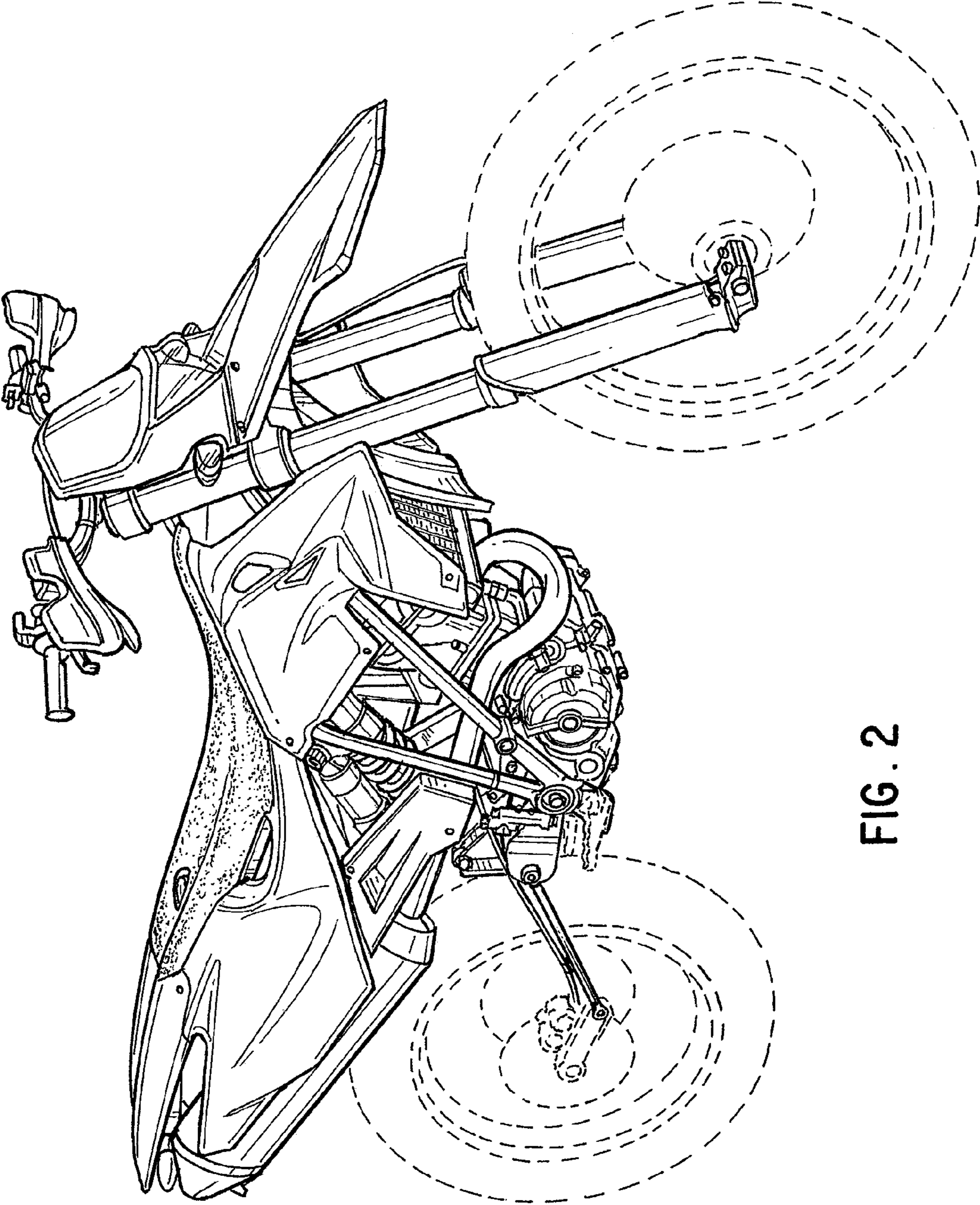


FIG. 2

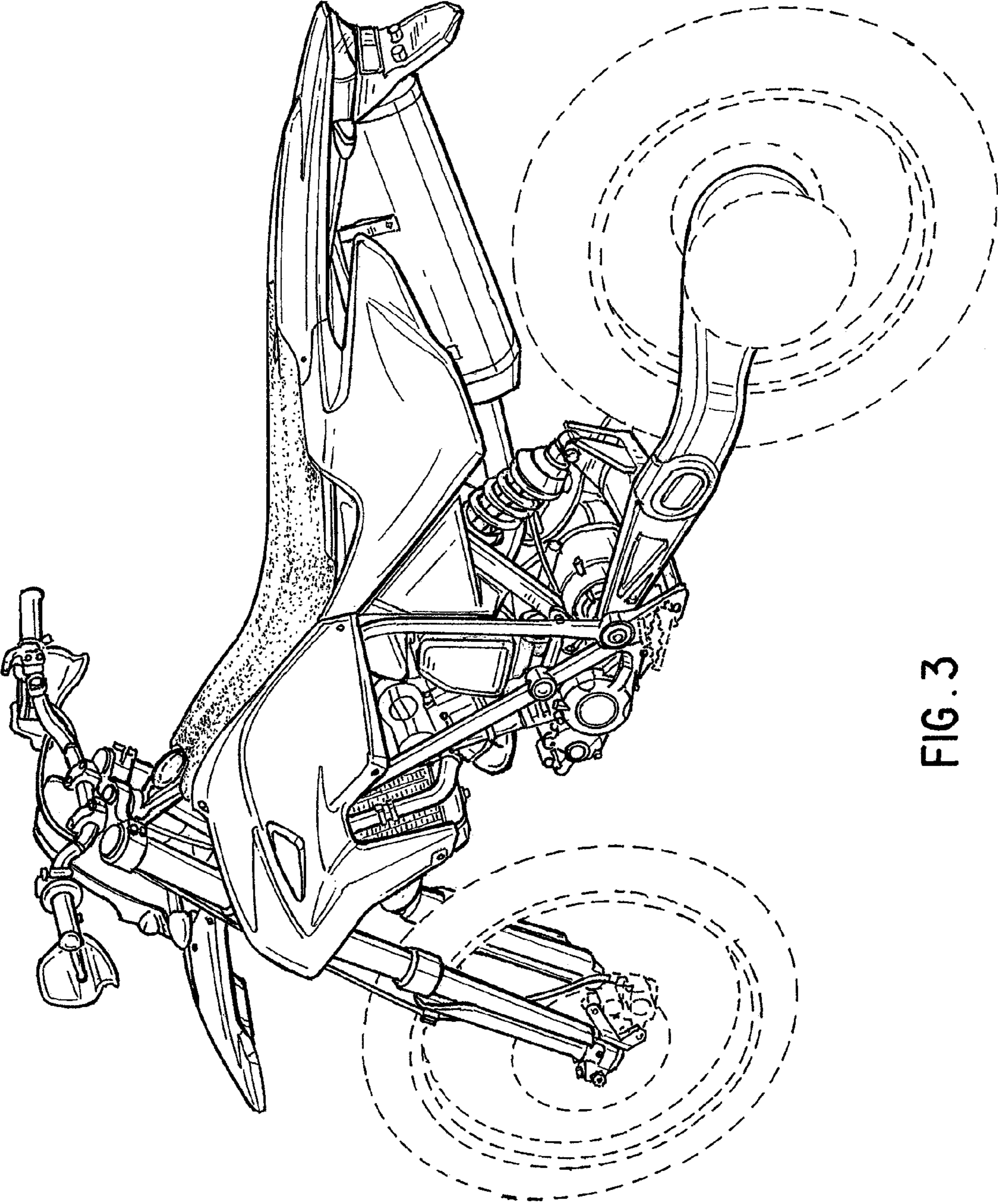


FIG. 3

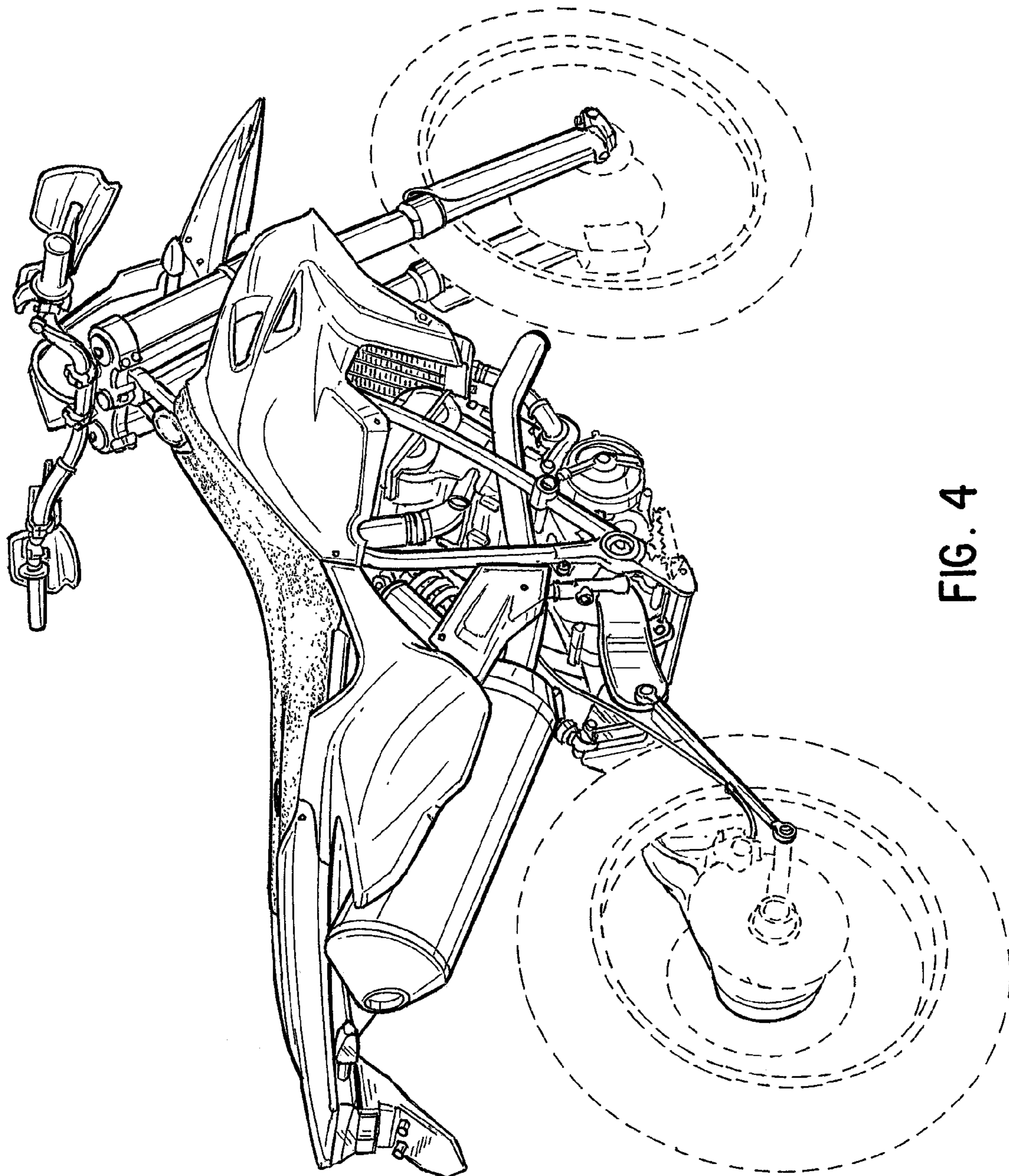


FIG. 4

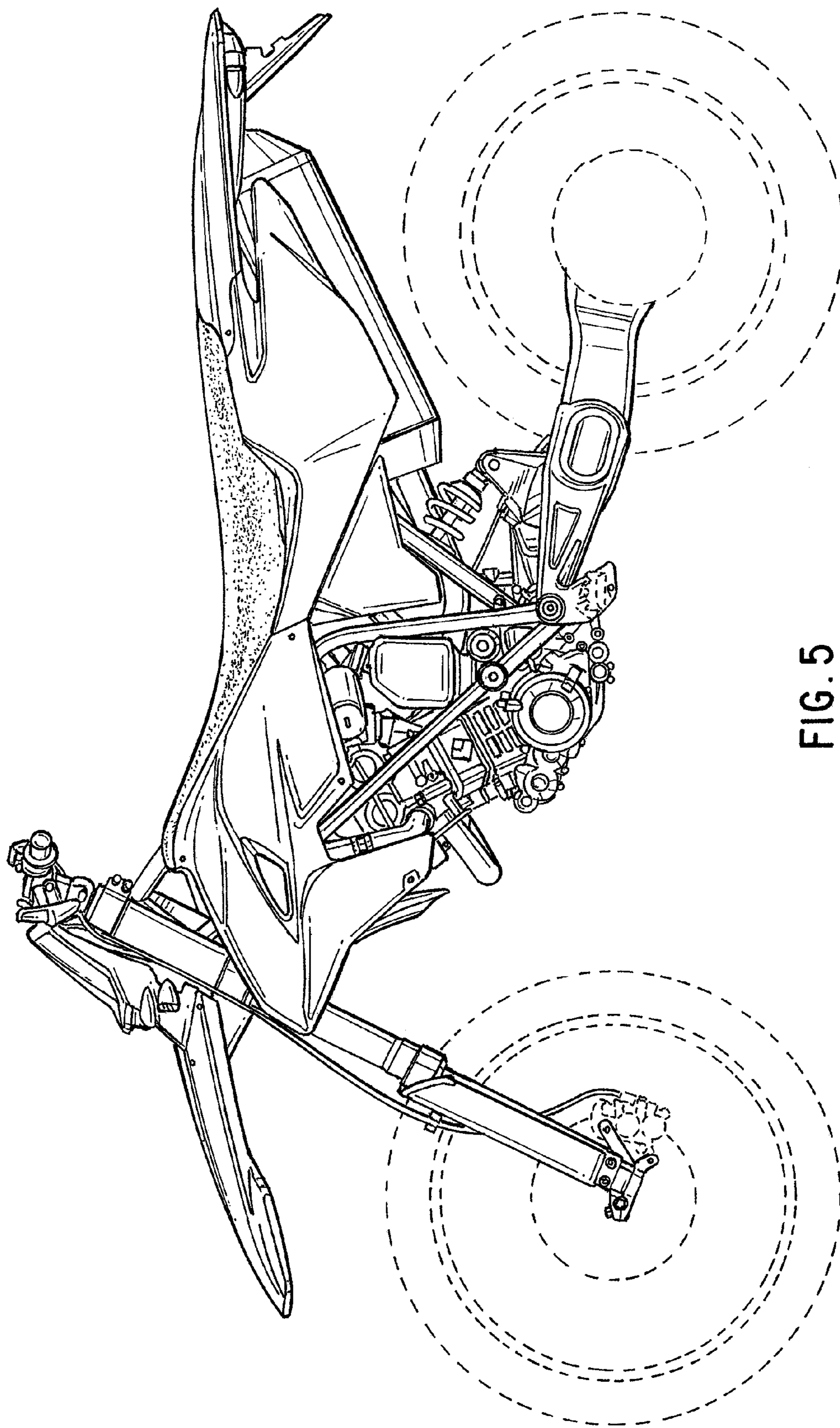


FIG. 5

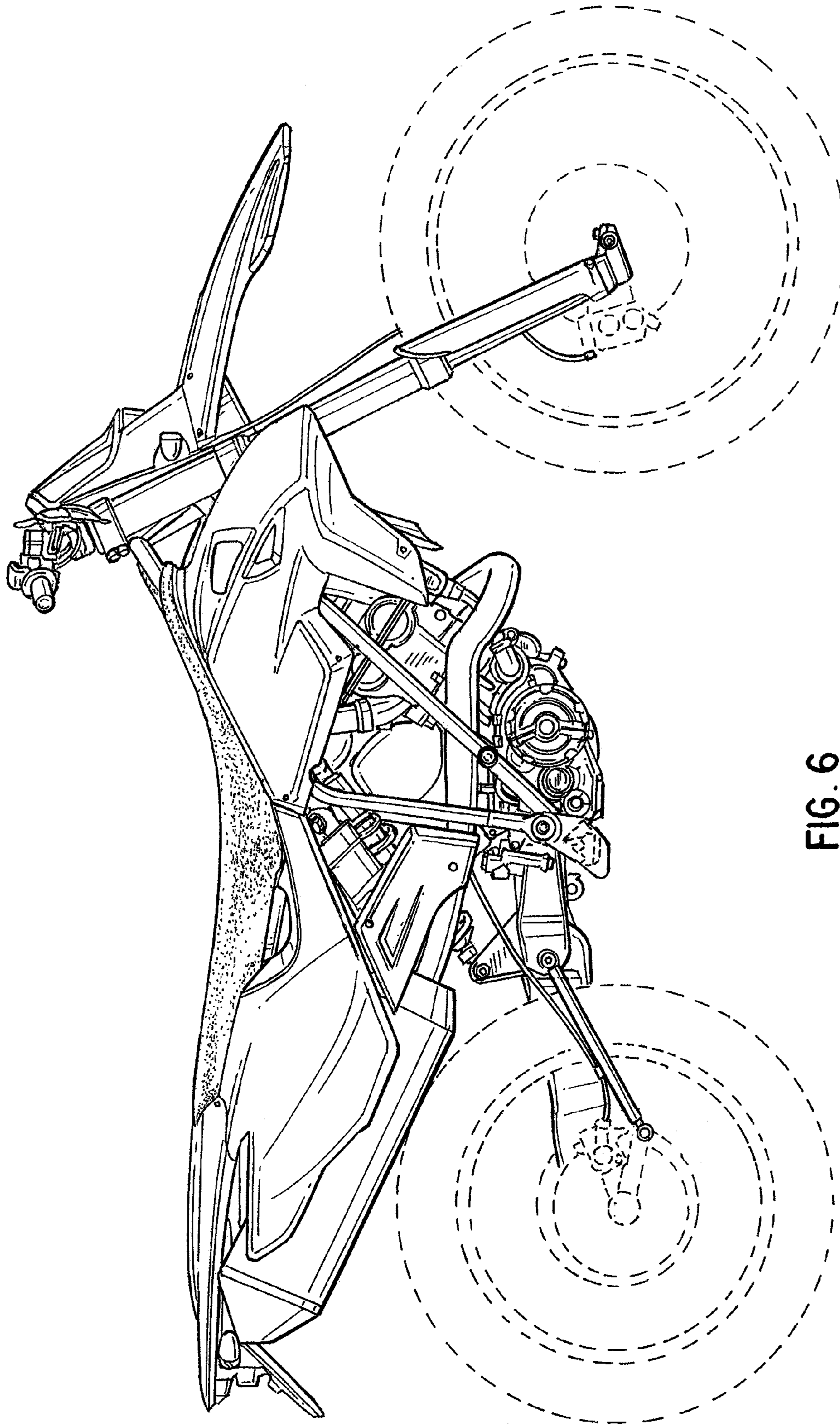


FIG. 6

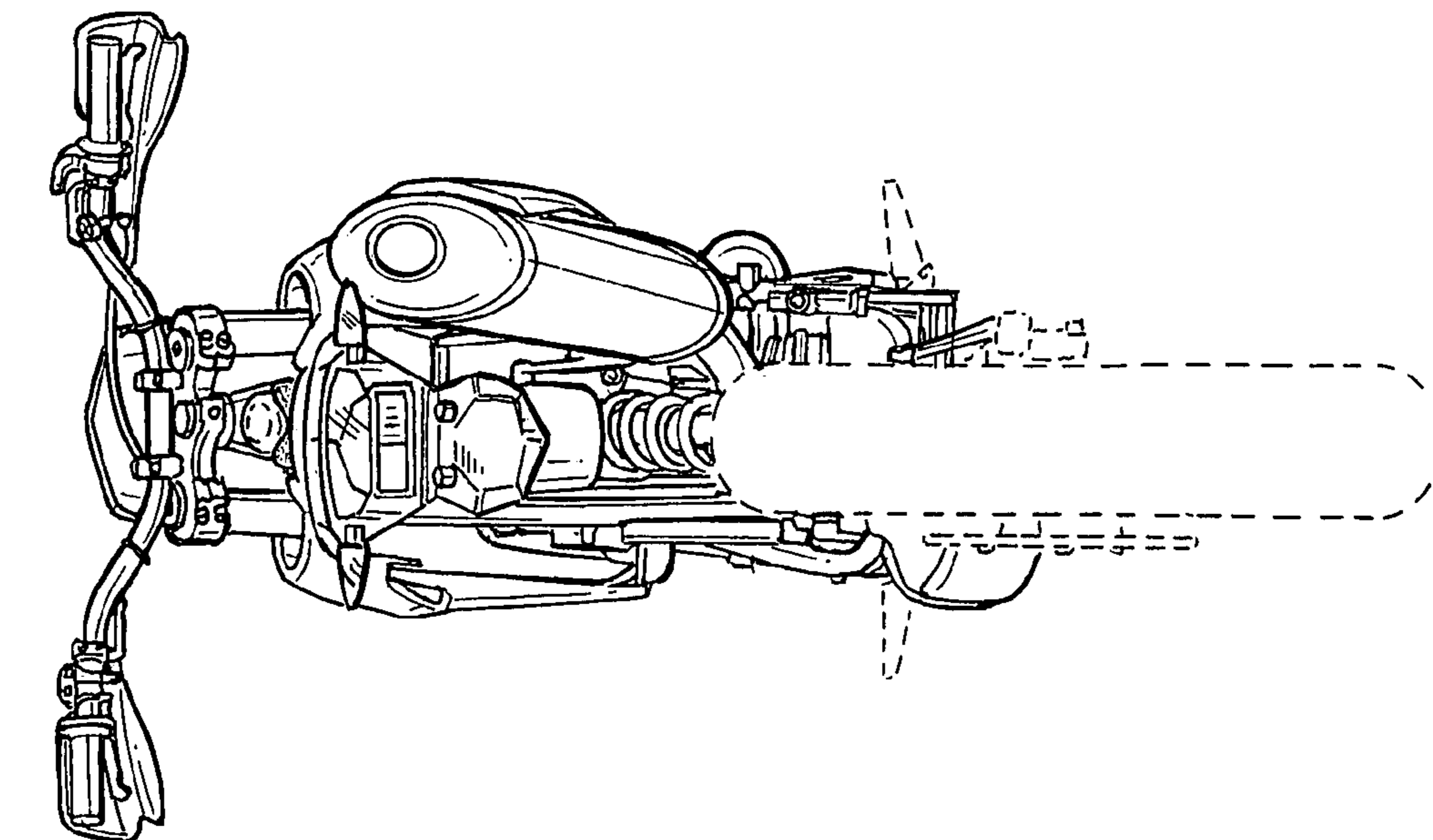


FIG. 7

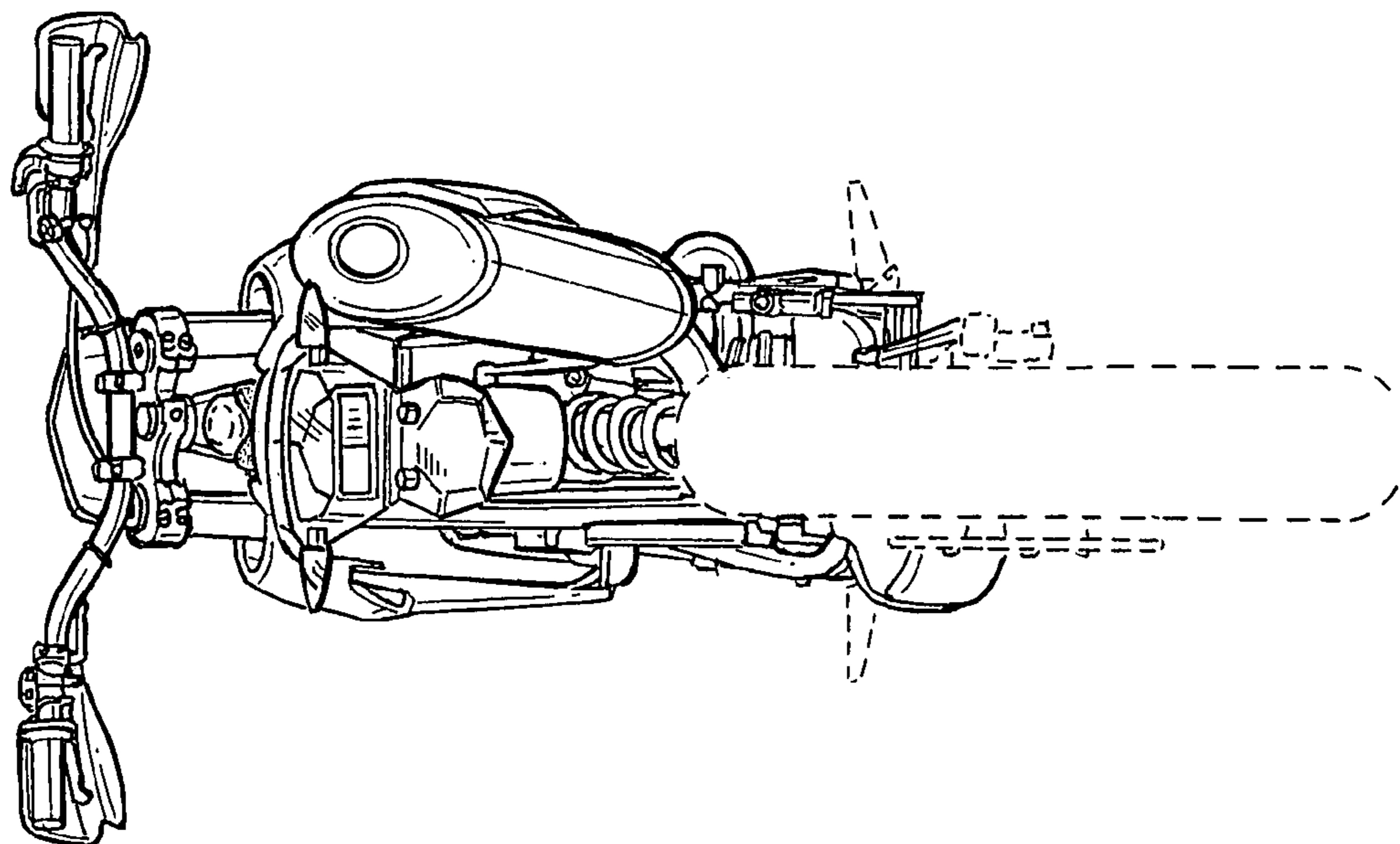


FIG. 8

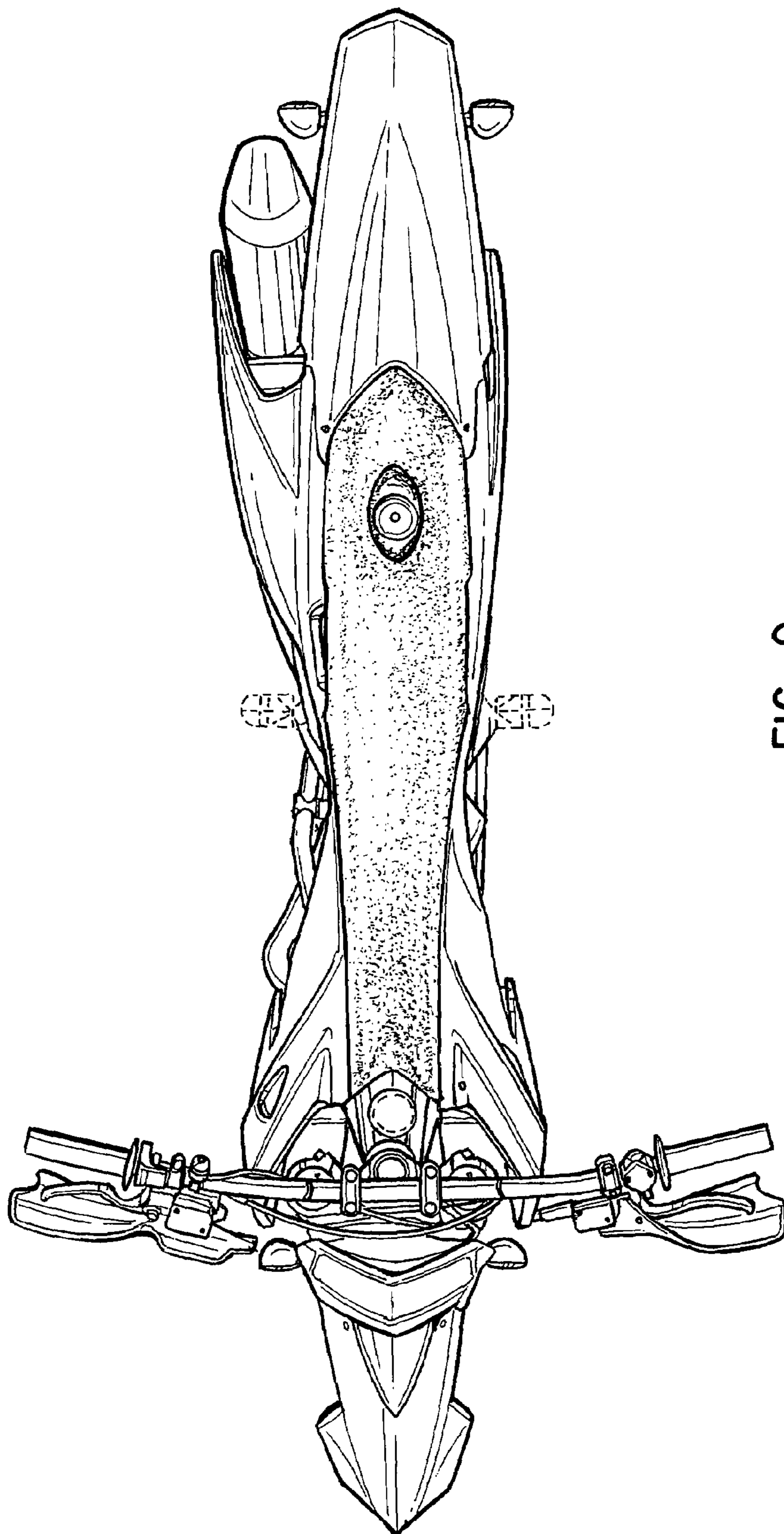


FIG. 9

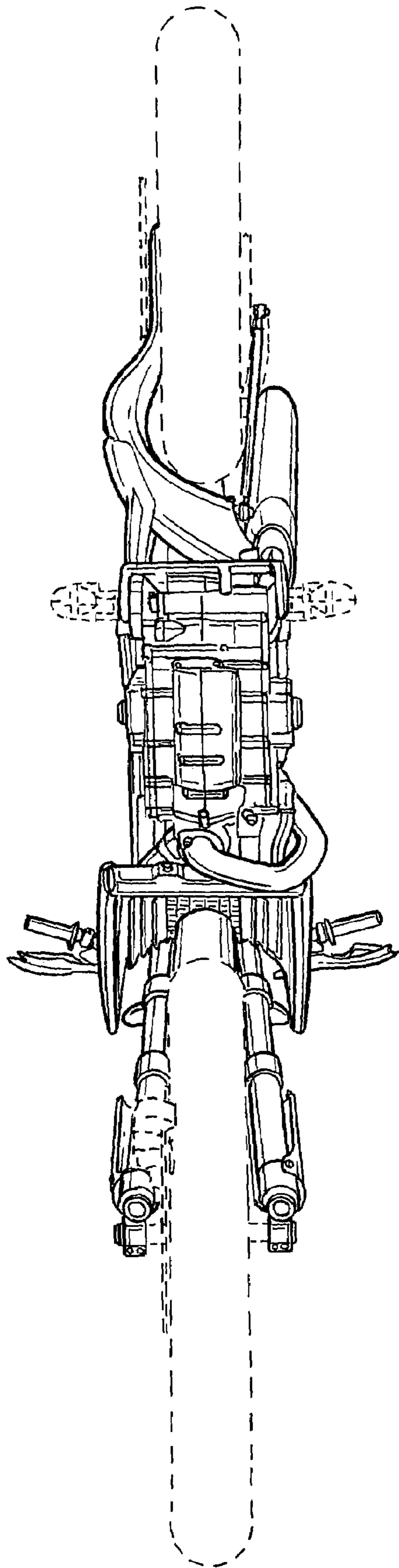


FIG. 10