



US00D580825S

(12) **United States Design Patent**
Green, Jr.

(10) **Patent No.:** **US D580,825 S**

(45) **Date of Patent:** **** Nov. 18, 2008**

(54) **ARMORED VEHICLE OR TOY REPLICA THEREOF**

(75) **Inventor:** **Paul C. Green, Jr., Mt. Pleasant, SC (US)**

(73) **Assignee:** **Force Protection Technologies, Inc., Ladson, SC (US)**

(**) **Term:** **14 Years**

(21) **Appl. No.:** **29/287,005**

(22) **Filed:** **Jun. 18, 2007**

Related U.S. Application Data

(63) Continuation-in-part of application No. 29/245,737, filed on Dec. 29, 2005, now Pat. No. Des. 548,647.

(51) **LOC (8) Cl.** **12-13**

(52) **U.S. Cl.** **D12/12**

(58) **Field of Classification Search** D12/86-89, D12/12, 91, 92, 1-4, 98-100; D21/533, D21/539, 548-552, 557-60, 579, 580-583, D21/442, 436, 447, 560, 86, 91; 180/232, 180/242, 89.12, 449; 410/57; 89/36.8, 36.09, 89/37.03, 38, 40.03, 36 F, 36 H, 4 B, 36.1, 89/36.13; 446/471, 487; 296/181.3, 1.01, 296/183, 24.1, 37.6, 185, 186, 204, 186.1; 280/838, 839

See application file for complete search history.

(56) **References Cited**

U.S. PATENT DOCUMENTS

2,382,862 A * 8/1945 Davis, Jr. 89/36.08

D262,099 S * 12/1981 Harding D12/12
4,351,558 A * 9/1982 Mueller 296/203.1
5,663,520 A * 9/1997 Ladika et al. 89/36.08
D465,435 S * 11/2002 Legueu D12/12
D484,438 S * 12/2003 Knoth et al. D12/12
7,225,718 B1 * 6/2007 Grove et al. 89/36.09

* cited by examiner

Primary Examiner—Robert M. Spear

Assistant Examiner—Ania K Dworzecka

(74) *Attorney, Agent, or Firm*—Finnegan, Henderson, Farabow, Garrett & Dunner, L.L.P.

(57) **CLAIM**

The ornamental design for an armored vehicle or toy replica thereof, as shown and described.

DESCRIPTION

FIG. 1 is front perspective view of an armored vehicle or toy replica thereof showing my new design;

FIG. 2 is a rear perspective view thereof;

FIG. 3 is a left side view thereof;

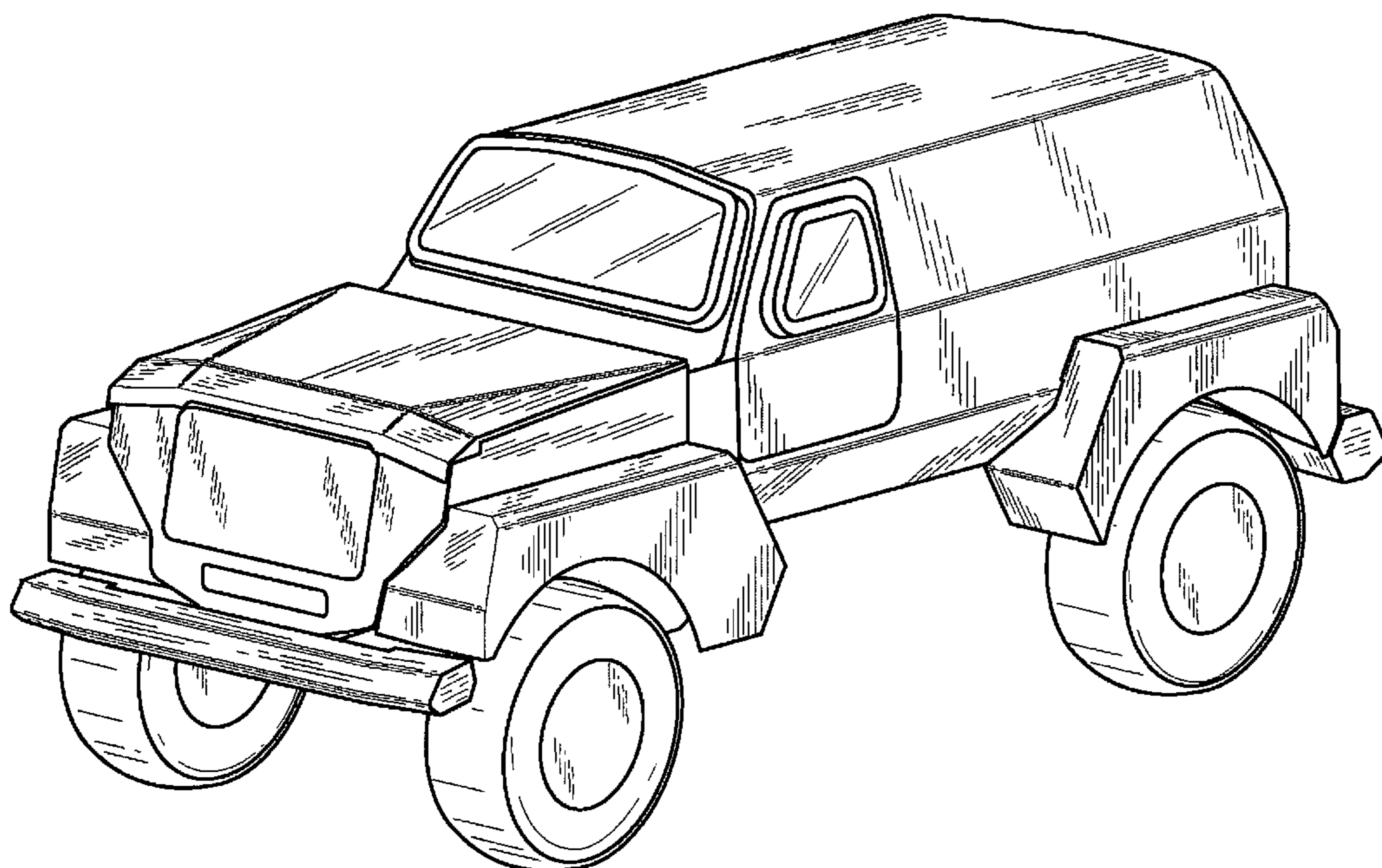
FIG. 4 is a right side view thereof;

FIG. 5 is a front view thereof;

FIG. 6 is a rear view thereof; and,

FIG. 7 is a top plan view thereof.

1 Claim, 6 Drawing Sheets



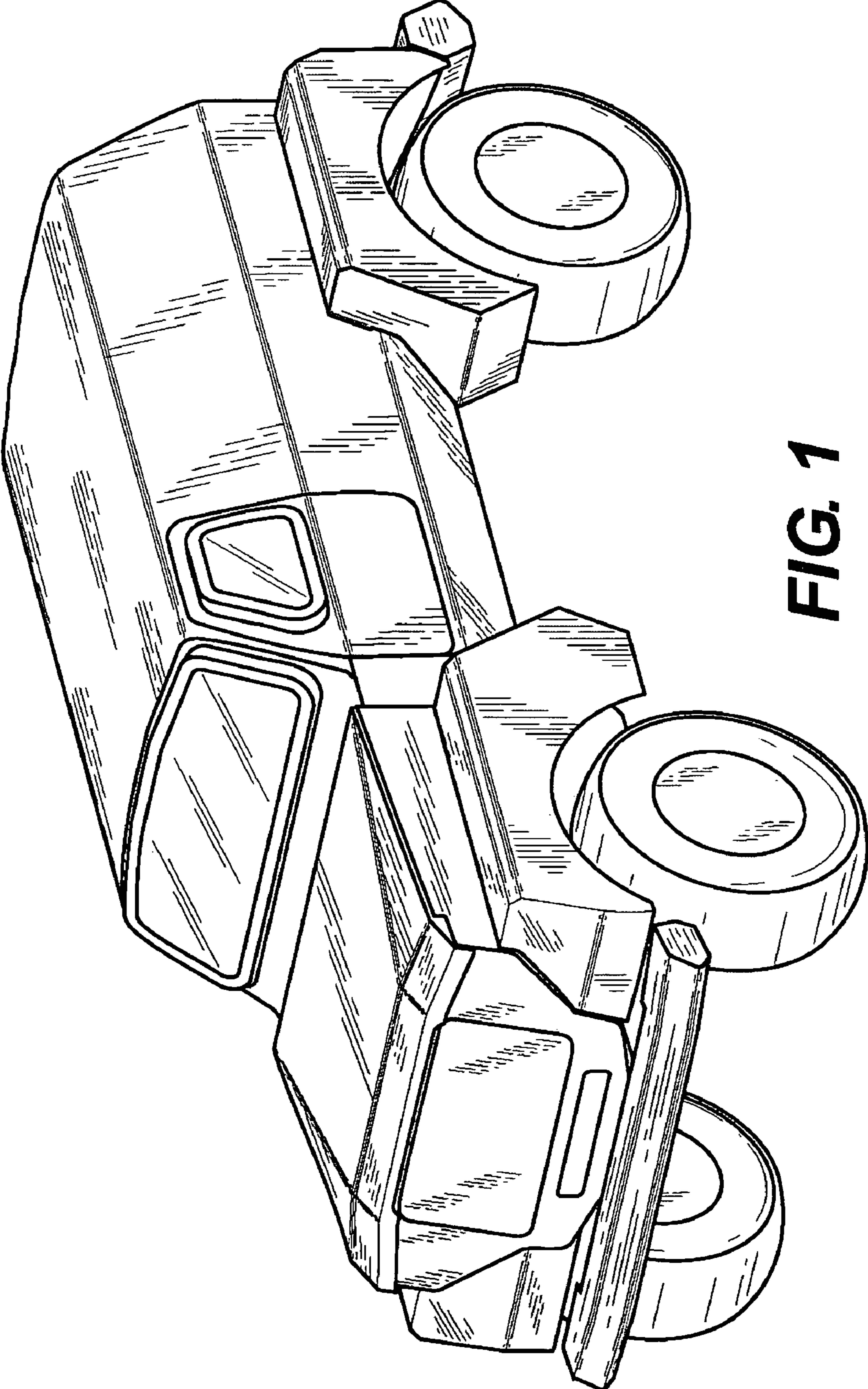


FIG. 1

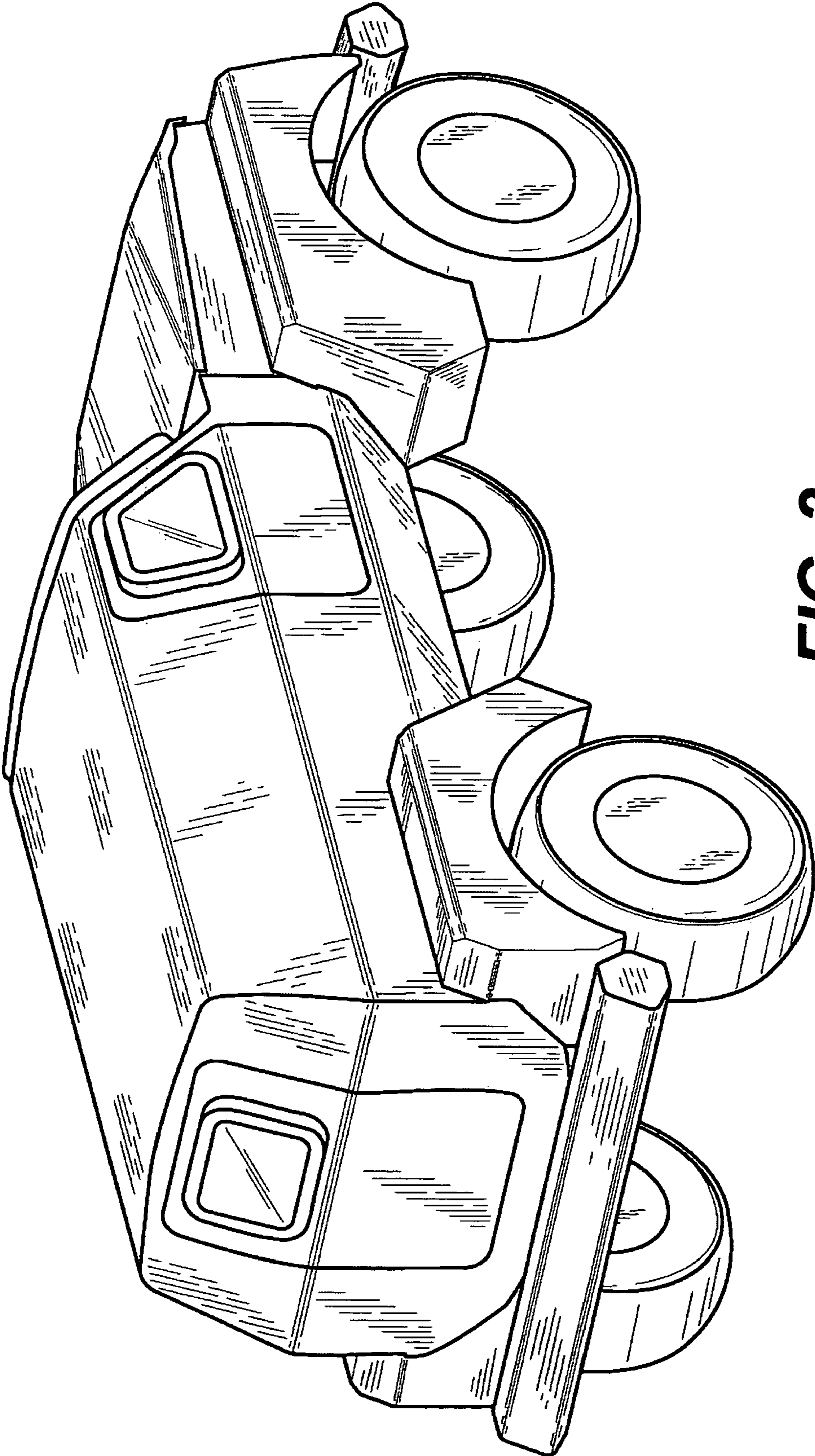


FIG. 2

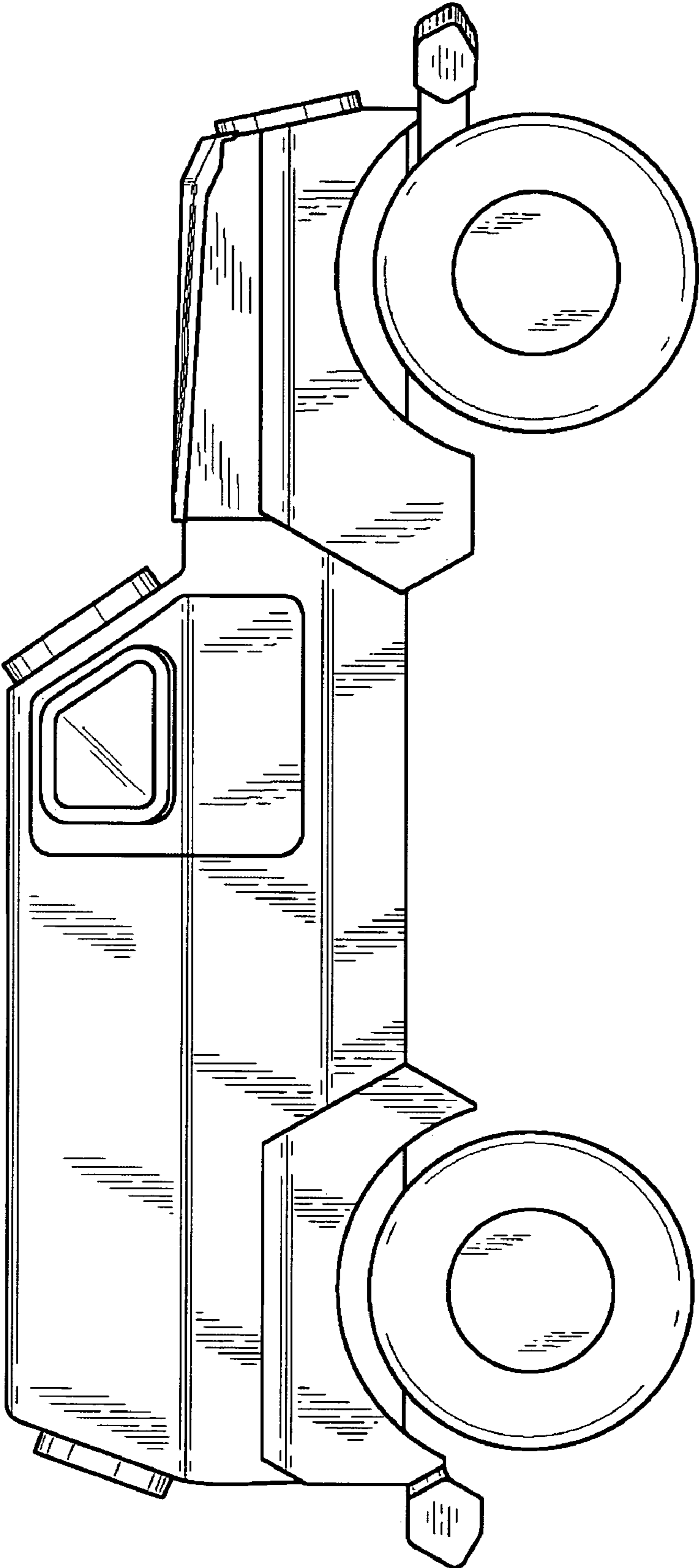


FIG. 3

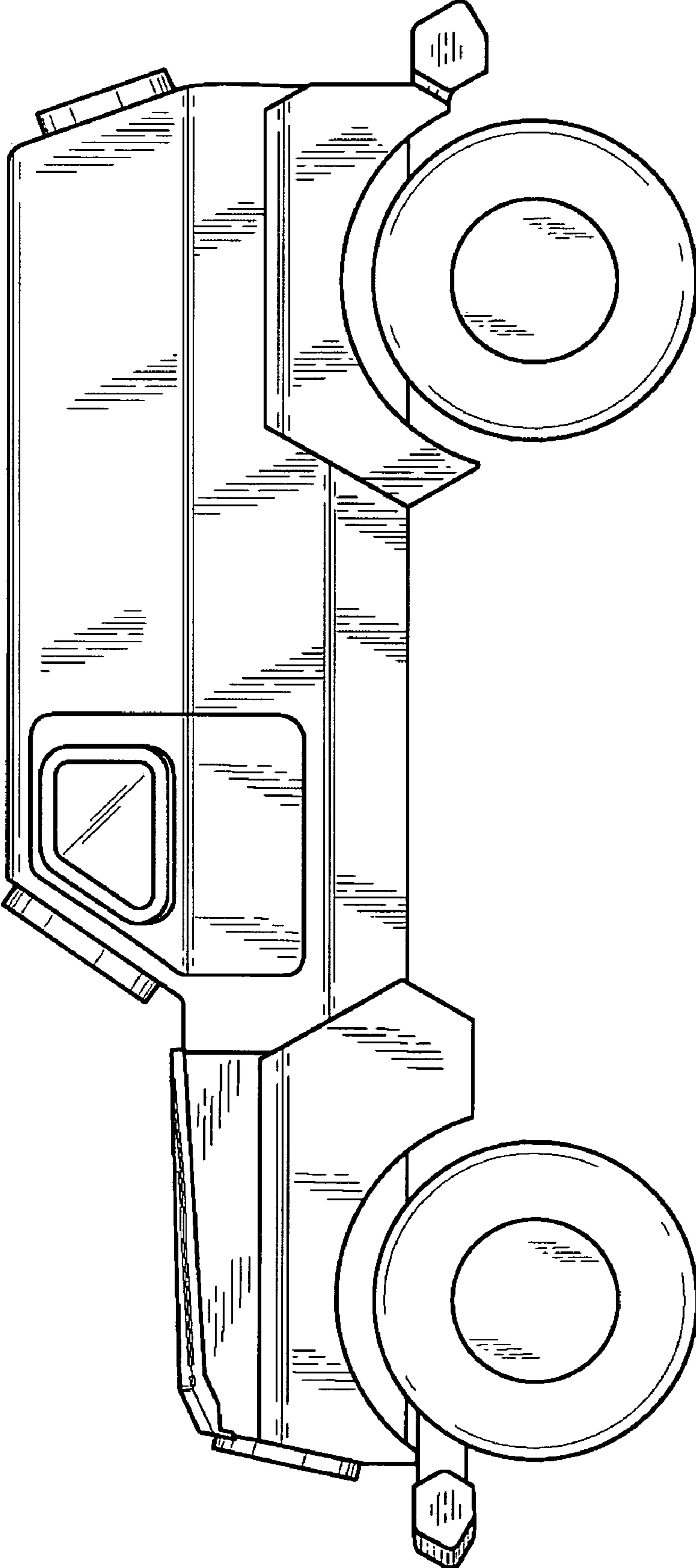


FIG. 4

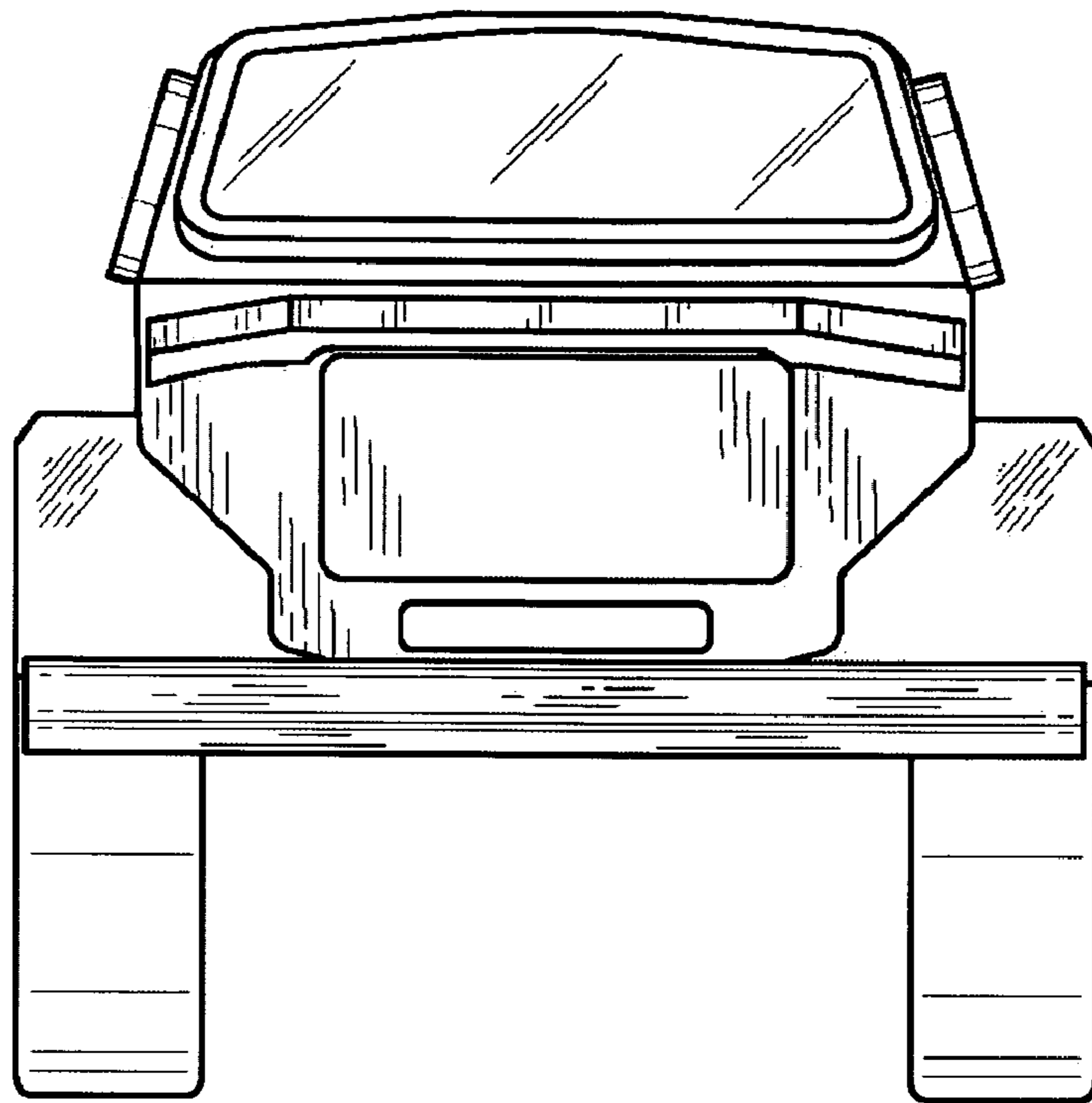


FIG. 5

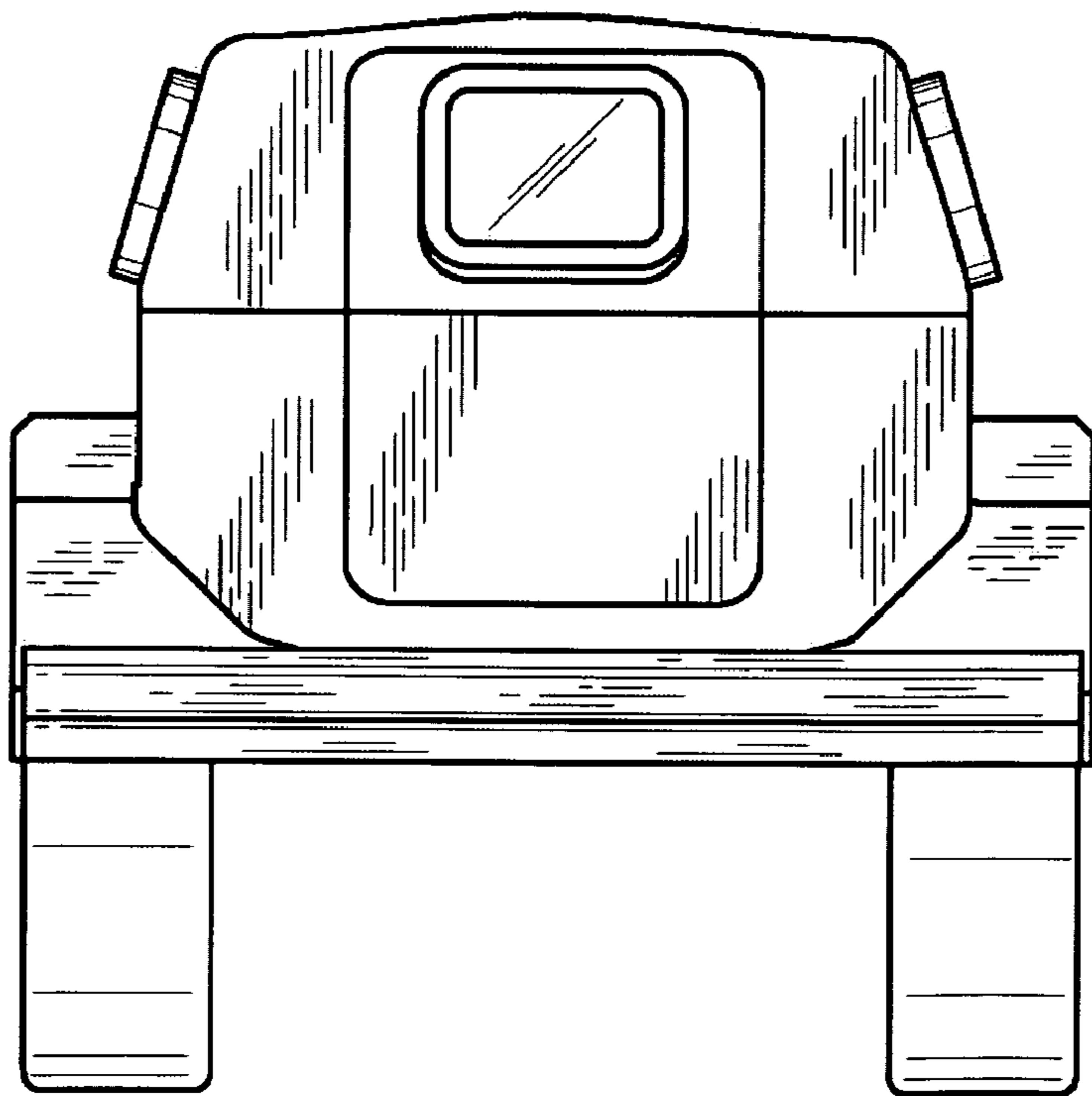


FIG. 6

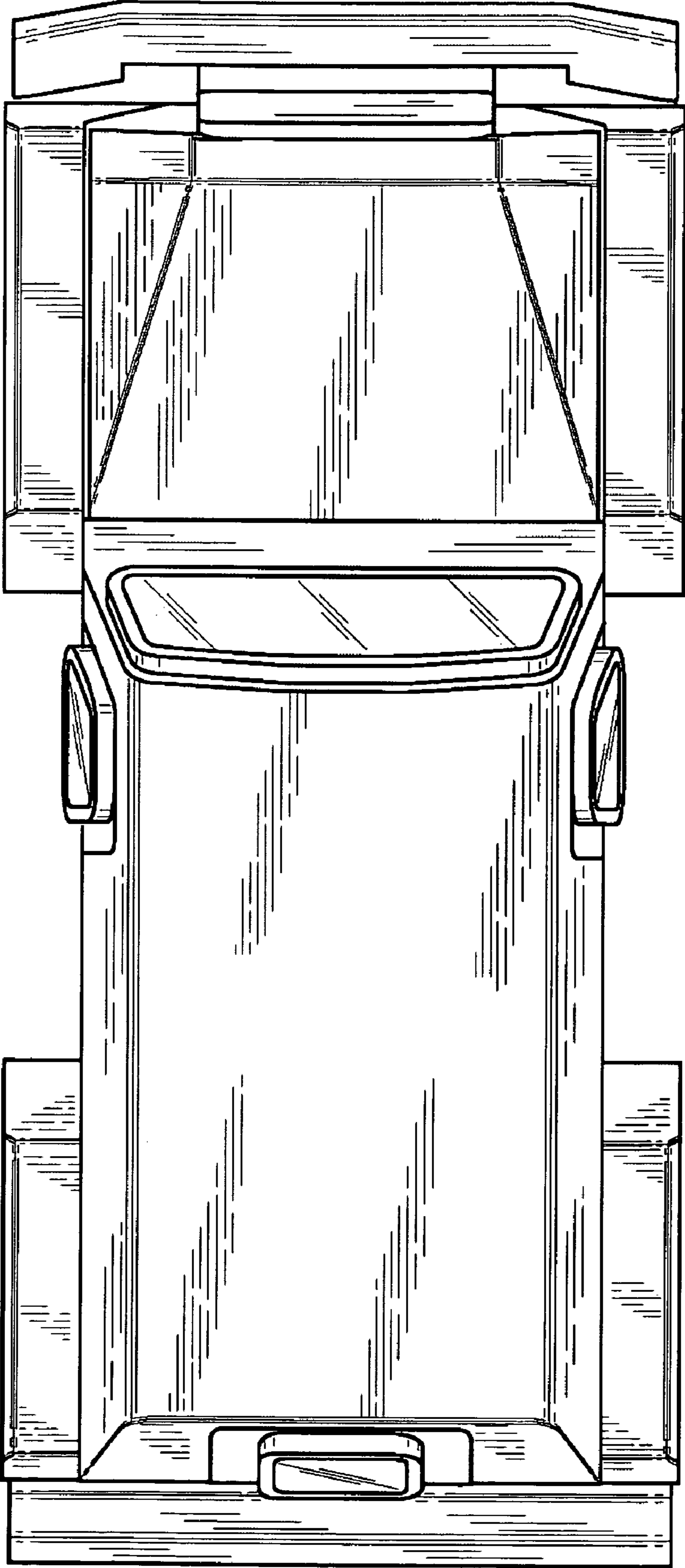


FIG. 7