

US00D580822S

(12) **United States Design Patent**
Longpre et al.

(10) **Patent No.:** **US D580,822 S**

(45) **Date of Patent:** **** Nov. 18, 2008**

(54) **SNOWMOBILE HOOD**

(75) Inventors: **Guillaume Longpre**, Granby (CA);
Martin Portelance, Chicoutimi (CA);
Etienne Guay, Orford (CA)

(73) Assignee: **Bombardier Recreational Products Inc.**, Valcourt (CA)

(**) Term: **14 Years**

(21) Appl. No.: **29/299,912**

(22) Filed: **Jan. 7, 2008**

(51) **LOC (8) Cl.** **12-14**

(52) **U.S. Cl.** **D12/7**

(58) **Field of Classification Search** D12/7,
D12/110, 111, 9, 112, 307, 400, 86, 85, 88;
D21/533; 180/182, 190, 184-186, 9.25,
180/180, 219, 193, 194; 280/845; D6/354
See application file for complete search history.

(56) **References Cited**

U.S. PATENT DOCUMENTS

D253,883 S	1/1980	Shimasaki
D264,830 S	6/1982	Ishiyama
D273,185 S	3/1984	Ishiyama
D278,892 S	5/1985	Kobayashi
D314,535 S	2/1991	Matsue
D319,607 S	9/1991	LaPointe
D328,575 S	8/1992	Berto
D334,374 S	3/1993	Hornai
D342,044 S	12/1993	Hornai
D342,220 S	12/1993	Hornai
D346,137 S	4/1994	Hornai
D389,780 S	1/1998	Komatsu et al.

(Continued)

OTHER PUBLICATIONS

U.S. Appl. No. 29/299,911 Filed on Jan. 7, 2008. Title: Snowmobile.

(Continued)

Primary Examiner—Robert M. Spear

Assistant Examiner—Ania K Dworzecka

(74) *Attorney, Agent, or Firm*—Osler, Hoskin & Harcourt LLP

(57) **CLAIM**

The ornamental design for a snowmobile hood, as shown and described.

DESCRIPTION

FIG. 1 is a front left perspective view showing a snowmobile hood according to our design;

FIG. 2 is a left side elevation view thereof;

FIG. 3 is a right side elevation view thereof;

FIG. 4 is a front elevation view thereof;

FIG. 5 is a rear elevation view thereof;

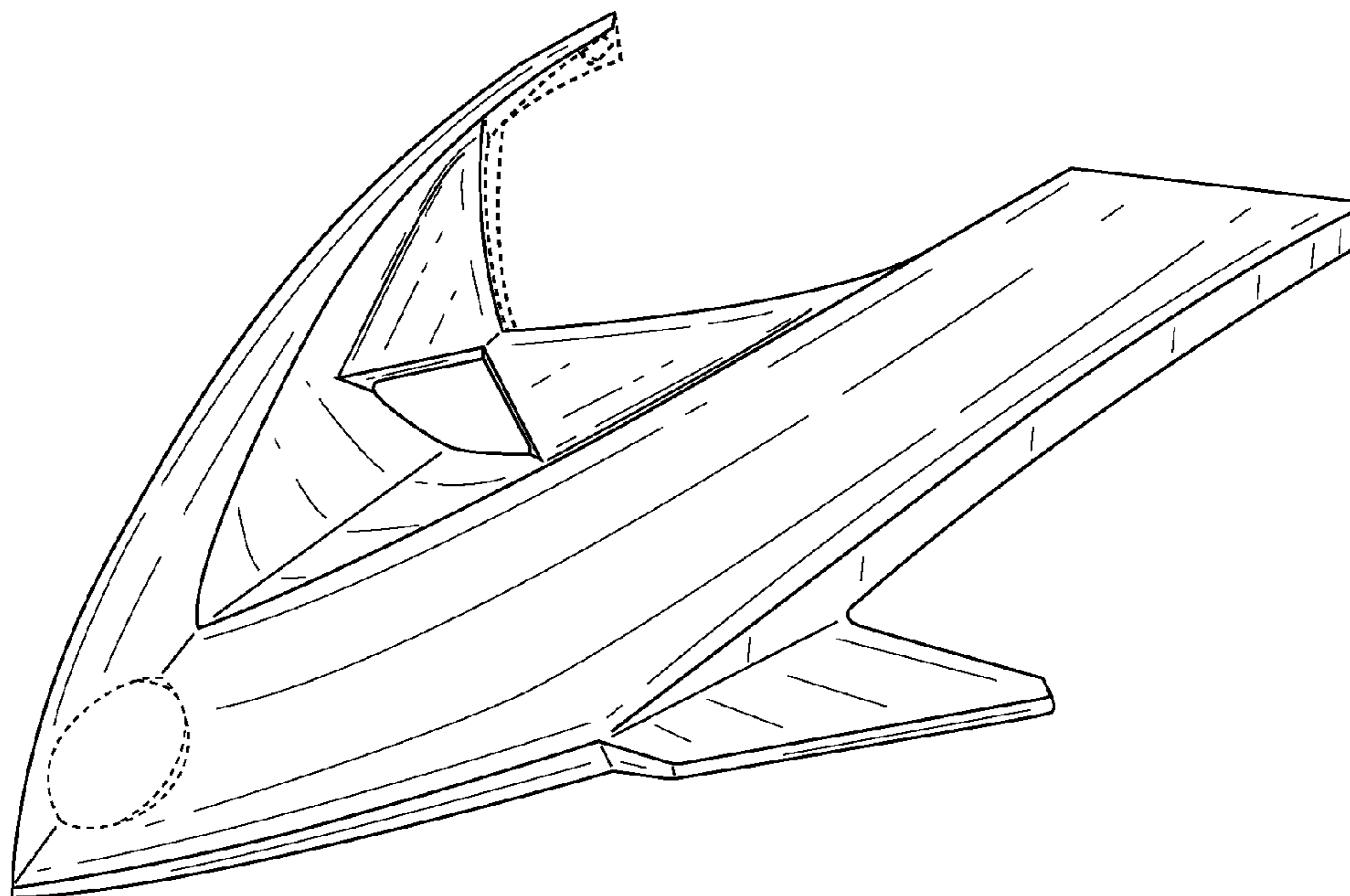
FIG. 6 is a top plan view thereof;

FIG. 7 is a bottom plan view thereof; and,

FIG. 8 is a front left perspective view of a typical snowmobile (shown in broken lines) including the hood according to our design.

Throughout the Figures, broken lines showing structure and environment are for illustrative purposes only and form no part of the claimed design.

1 Claim, 6 Drawing Sheets



US D580,822 S

Page 2

U.S. PATENT DOCUMENTS

D403,272 S	*	12/1998	Cadotte et al.	D12/7	D494,503 S	8/2004	Sanschagrín et al.	
D403,273 S		12/1998	Cadotte et al.		D494,504 S	8/2004	Sanschagrín et al.	
D438,821 S		3/2001	Cadotte et al.		D494,505 S	8/2004	Sanschagrín et al.	
D446,166 S		8/2001	Cadotte et al.		D494,889 S	8/2004	Sanschagrín et al.	
D457,106 S		5/2002	Cadotte et al.		D495,274 S	8/2004	Sanschagrín et al.	
D457,202 S		5/2002	Baskin et al.		D495,973 S	9/2004	Cadotte et al.	
D464,015 S	*	10/2002	Bucaccio et al.	D12/307	D496,883 S	10/2004	Sanschagrín et al.	
D465,192 S	*	11/2002	Bucaccio et al.	D12/307	D499,669 S	*	12/2004	Sanschagrín et al. D12/7
D466,049 S		11/2002	Cadotte		D505,889 S	6/2005	Girouard et al.	
D468,547 S		1/2003	Cadotte et al.		D511,998 S	11/2005	Deluy	
D477,247 S		7/2003	Cadotte et al.		D512,662 S	12/2005	Deluy	
D477,248 S	*	7/2003	Cadotte et al.	D12/7	D515,457 S	*	2/2006	Deluy D12/7
D478,297 S		8/2003	Cadotte et al.		D541,192 S	4/2007	Jokelainen	
D478,532 S		8/2003	Crepeau et al.		D548,136 S	8/2007	Musselman	
D479,490 S		9/2003	Cadotte et al.		D548,137 S	8/2007	Curthelet	
D479,696 S		9/2003	Cadotte et al.		D548,645 S	8/2007	Curthelet	
D479,697 S	*	9/2003	Cadotte et al.	D12/7	D552,506 S	*	10/2007	Deluy D12/7
D479,813 S		9/2003	Cadotte et al.		D563,271 S	3/2008	Curthelet	
D479,814 S		9/2003	Cadotte et al.		2002/0189876 A1*	12/2002	Girouard et al.	180/182
D479,815 S		9/2003	Crepeau et al.		2005/0072614 A1*	4/2005	Bedard et al.	180/190
D479,816 S		9/2003	Crepeau et al.		2005/0279552 A1*	12/2005	Schuehmacher et al.	180/190
D480,019 S		9/2003	Cadotte et al.		2006/0070782 A1*	4/2006	Morin et al.	180/190
D480,020 S		9/2003	Crepeau et al.		2006/0191728 A1*	8/2006	Aoshima 180/190	
D485,527 S	*	1/2004	Cassell et al.	D12/307				
D487,233 S		3/2004	Cadotte et al.					
D487,413 S		3/2004	Cadotte et al.					
D487,718 S	*	3/2004	Bills et al.	D12/317				
D488,094 S		4/2004	Cadotte et al.					
D488,095 S	*	4/2004	Cadotte et al.	D12/7				
D488,096 S		4/2004	Cadotte et al.					
D488,097 S		4/2004	Cadotte et al.					
D488,098 S		4/2004	Cadotte et al.					
D488,404 S		4/2004	Cadotte et al.					
D493,121 S		7/2004	Sanschagrín et al.					
D493,390 S		7/2004	Sanschagrín et al.					
D494,100 S		8/2004	Sanschagrín et al.					
D494,502 S	*	8/2004	Sanschagrín et al.	D12/7				

OTHER PUBLICATIONS

U.S. Appl. No. 29/299,915 Filed on Jan. 7, 2008. Title: Portions of a Snowmobile.
U.S. Appl. No. 29/299,921 Filed on Jan. 7, 2008. Title: Snowmobile Headlight Glass.
U.S. Appl. No. 29/299,913 Filed on Jan. 7, 2008. Title: Snowmobile Front Fairing.
U.S. Appl. No. 29/299,926 Filed on Jan. 7, 2008. Title: Snowmobile Side Panel.
U.S. Appl. No. 29/299,928 Filed on Jan. 7, 2008. Title: Snowmobile Side Panel.
U.S. Appl. No. 29/299,930 Filed on Jan. 7, 2008. Title: Snowmobile Body Panel.

* cited by examiner

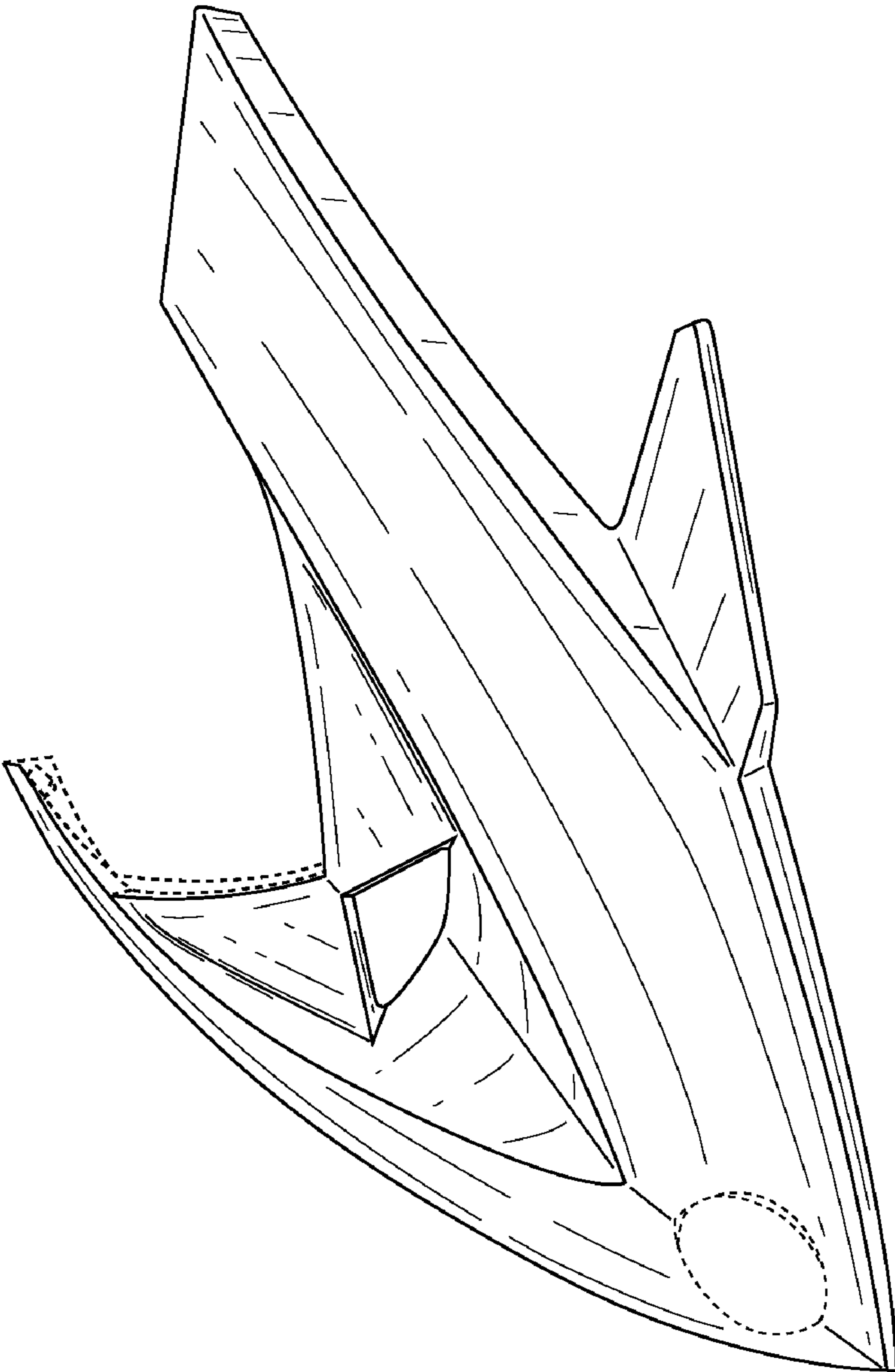


FIG. 1

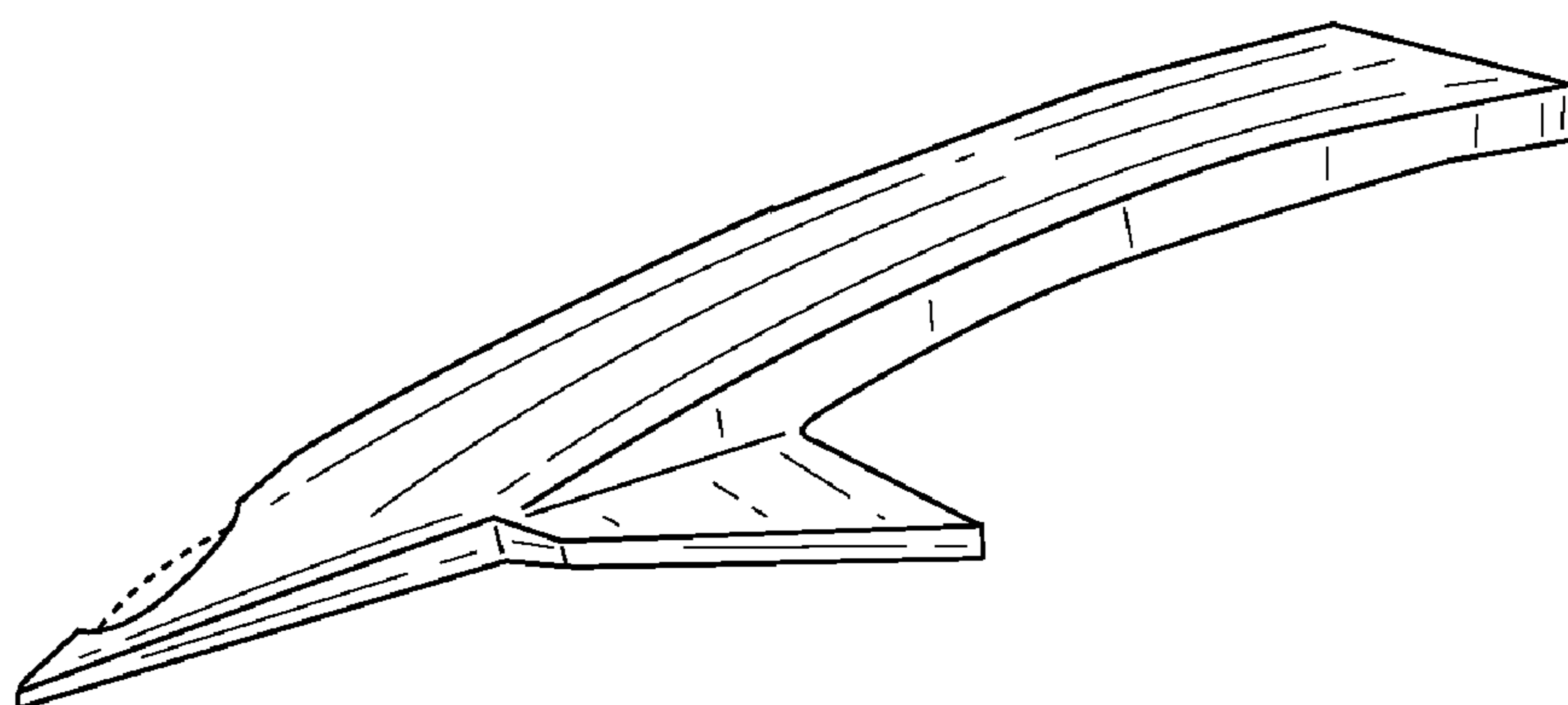


FIG. 2

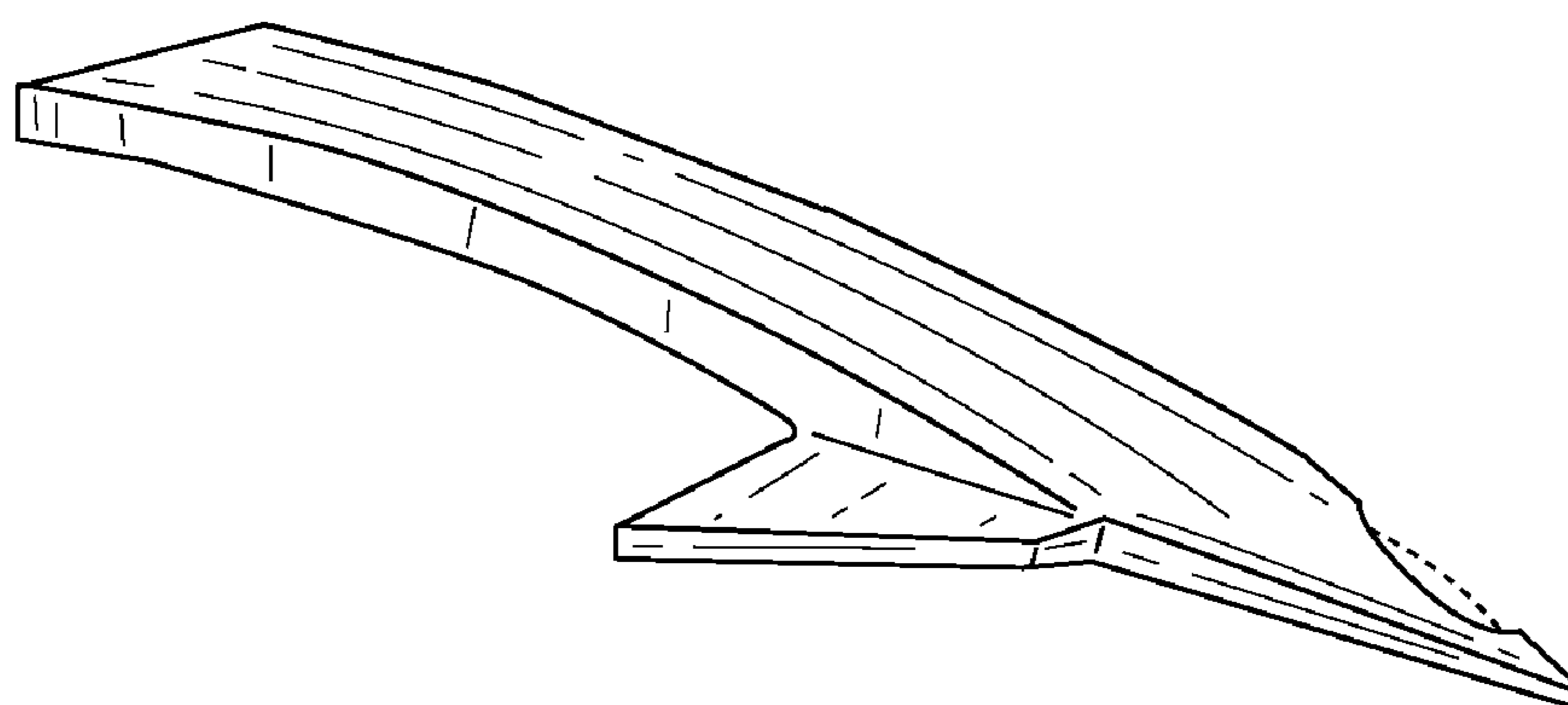


FIG. 3

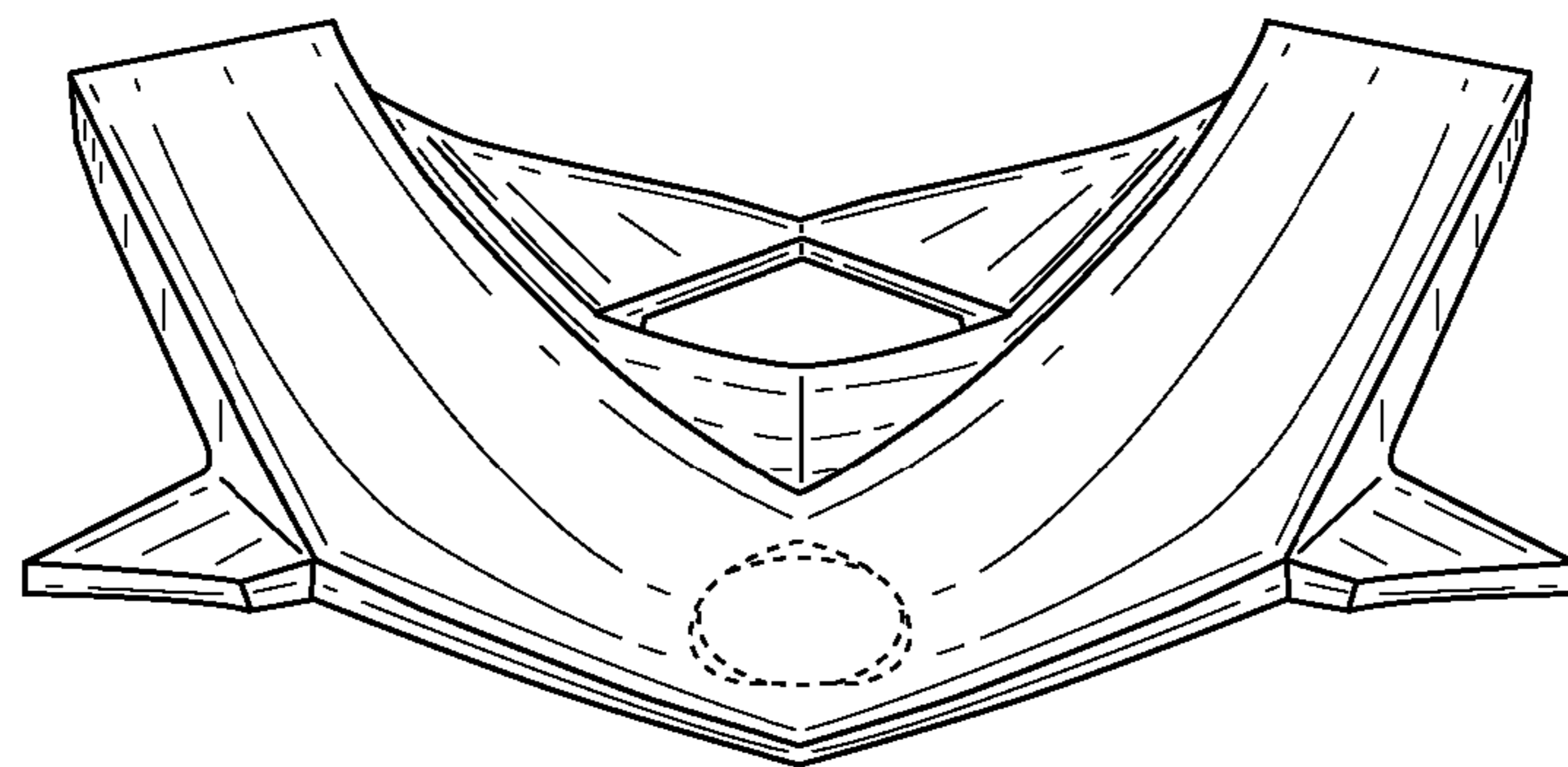


FIG. 4

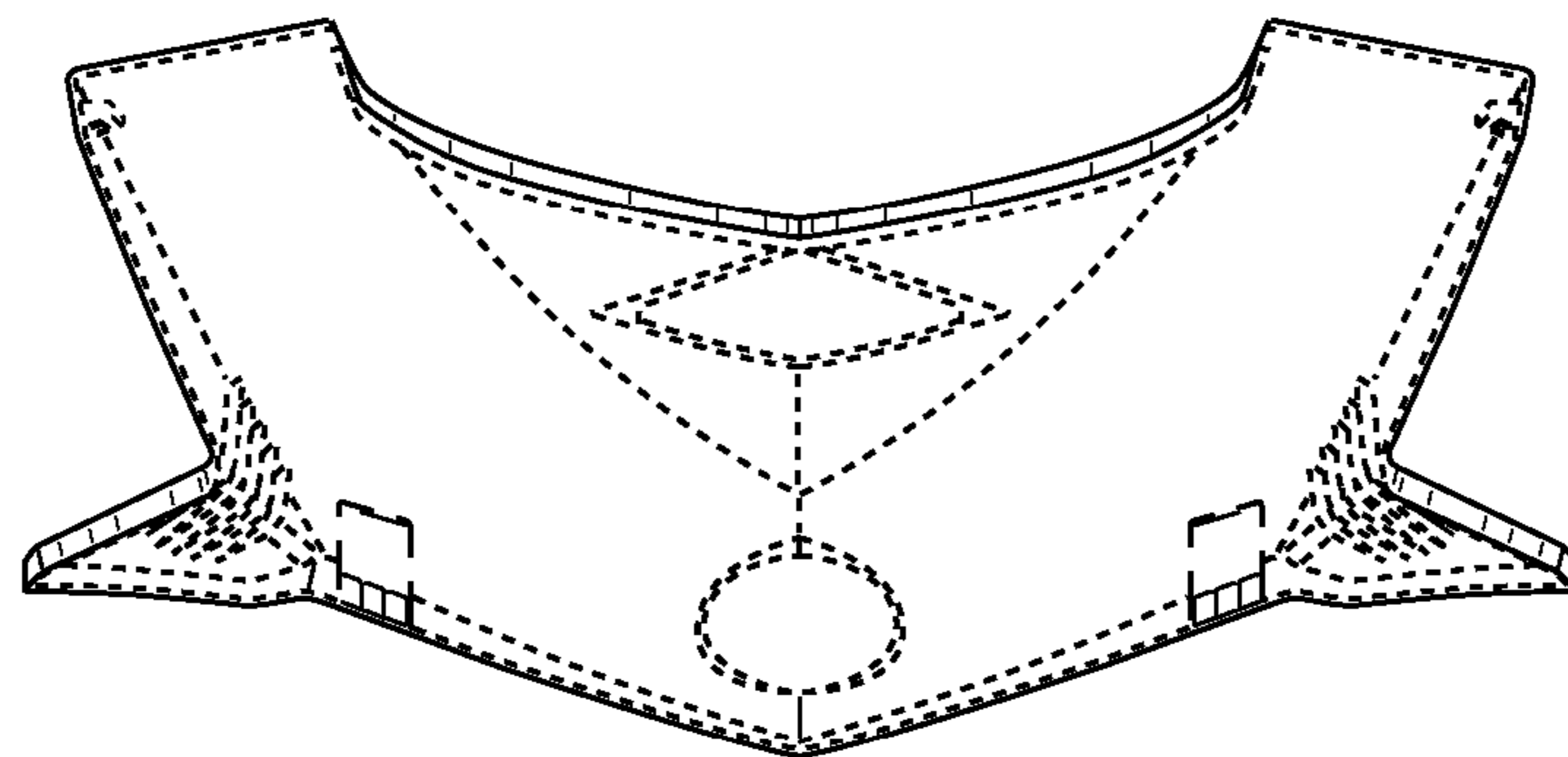


FIG. 5

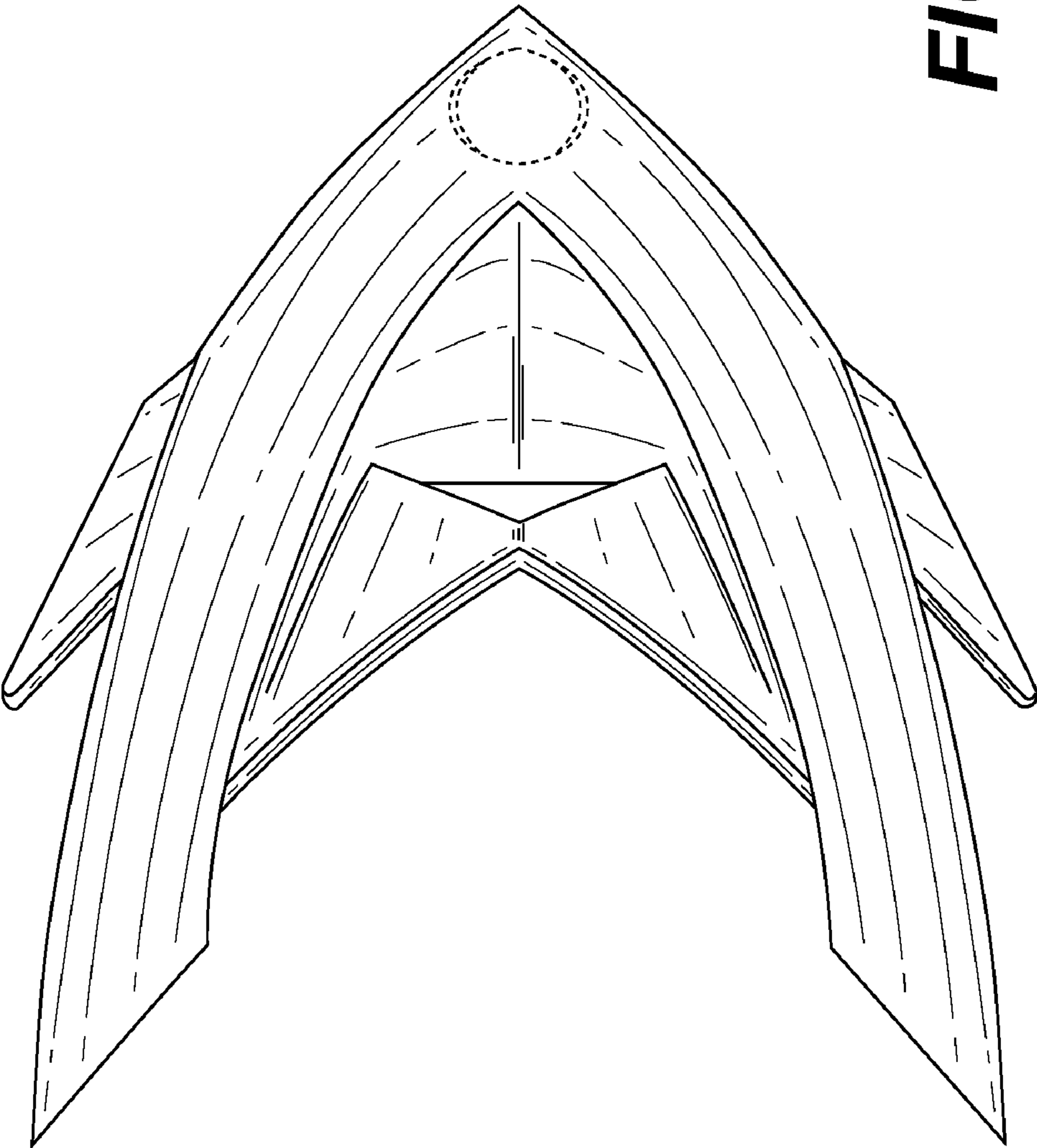


FIG. 6

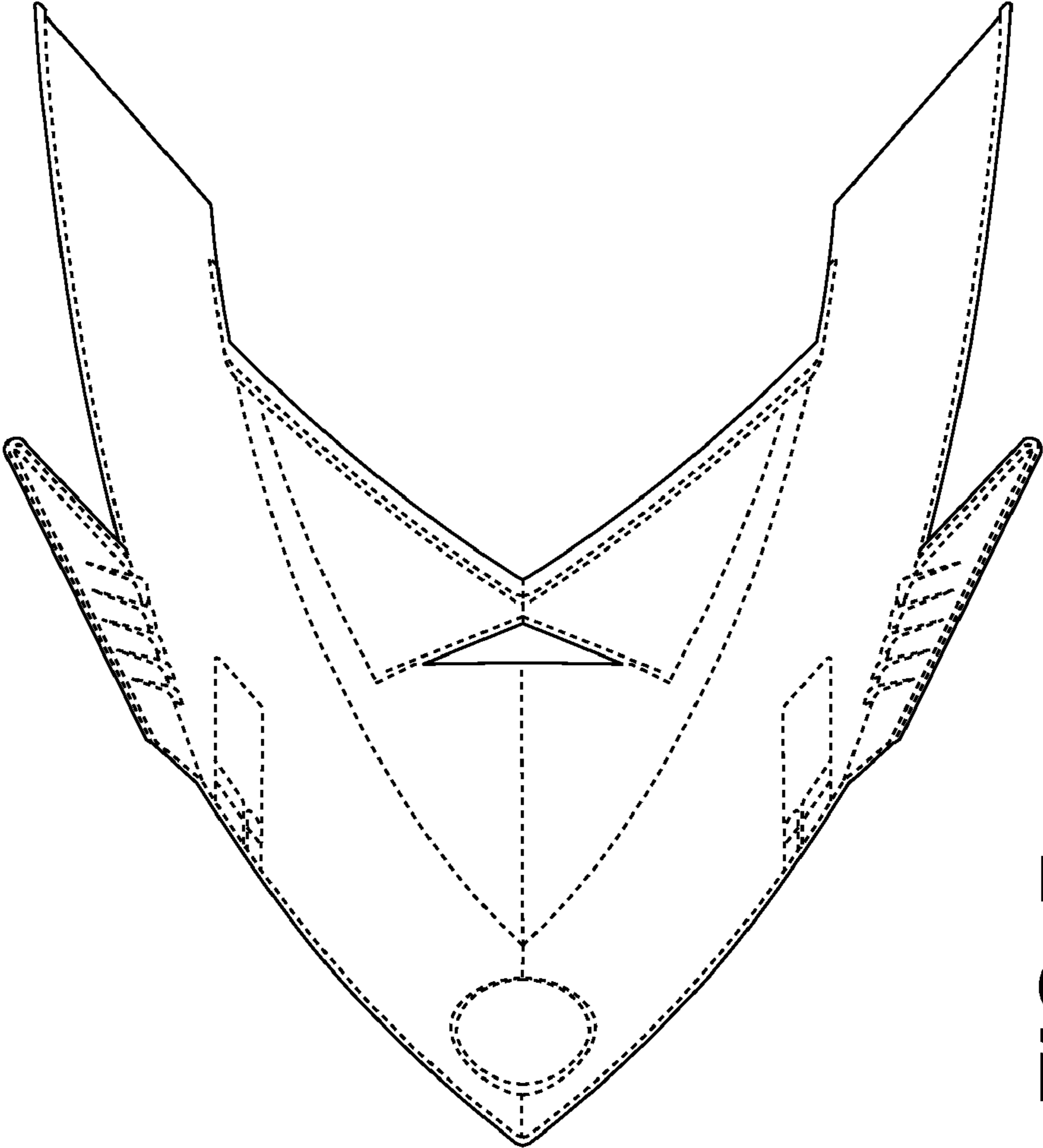


FIG. 7

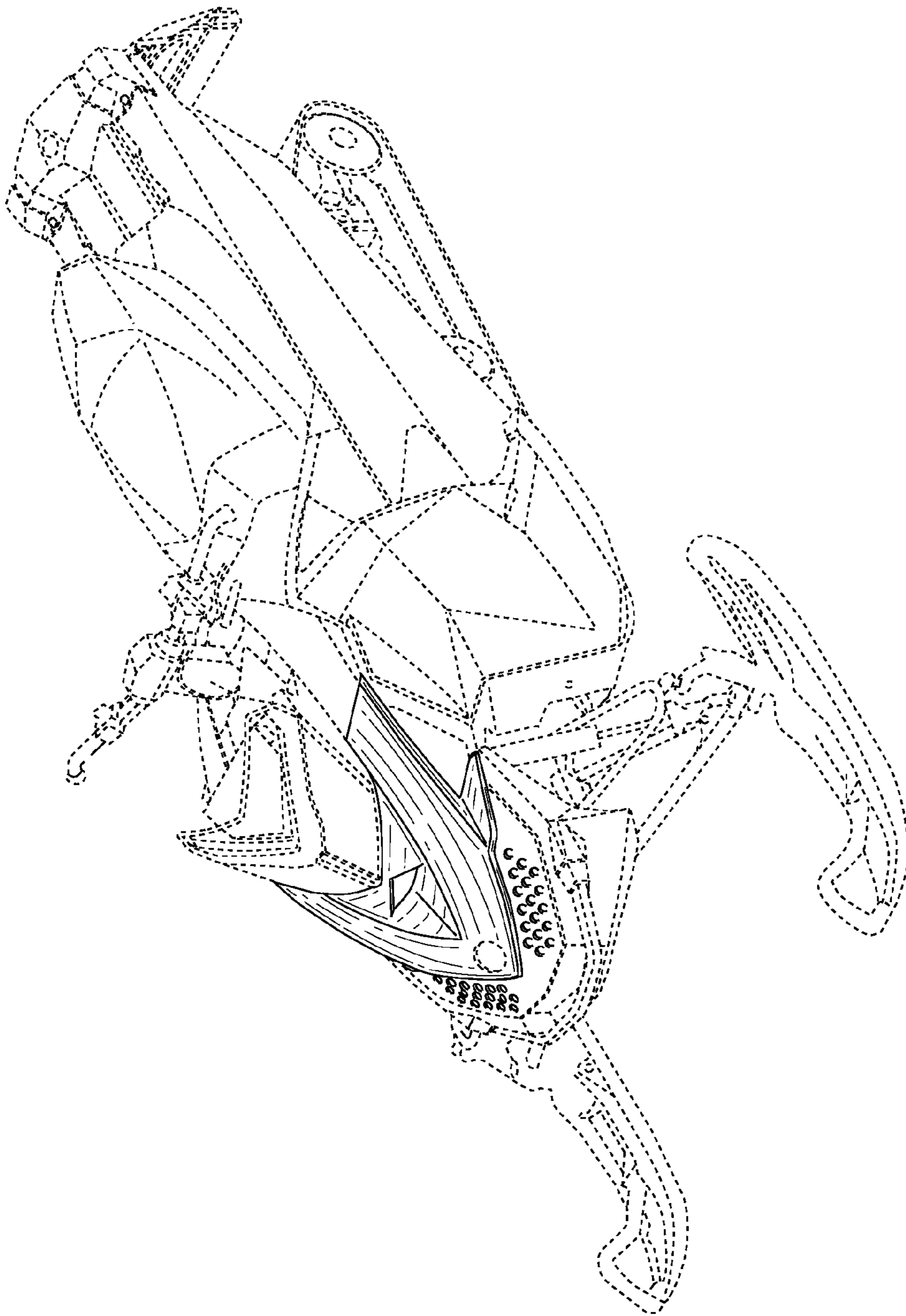


FIG. 8