



US00D580821S

(12) **United States Design Patent**  
**Petit**

(10) **Patent No.:** **US D580,821 S**

(45) **Date of Patent:** **\*\* Nov. 18, 2008**

- (54) **SNOWMOBILE SIDE PANEL**
- (75) Inventor: **Philippe Petit**, Orford (CA)
- (73) Assignee: **BRP Finland Oy**, Rovaniemi (FI)
- (\*\*) Term: **14 Years**
- (21) Appl. No.: **29/298,599**
- (22) Filed: **Dec. 7, 2007**

*Primary Examiner*—Robert M. Spear  
*Assistant Examiner*—Ania K Dworzecka  
 (74) *Attorney, Agent, or Firm*—Osler, Hoskin & Harcourt LLP

(57) **CLAIM**

The ornamental design of a snowmobile side panel, as shown and described.

- (51) **LOC (8) Cl.** ..... **12-14**
- (52) **U.S. Cl.** ..... **D12/7**
- (58) **Field of Classification Search** ..... D12/7,  
 D12/110, 111, 9, 112, 307, 400, 86, 85, 88;  
 D21/533; 180/182, 190, 184–186, 9.25,  
 180/180, 219, 193, 194; 280/845; D6/354  
 See application file for complete search history.

**DESCRIPTION**

FIG. 1 is a rear left perspective view showing a snowmobile side panel according to my design;  
 FIG. 2 is a left side elevation view thereof;  
 FIG. 3 is a right side elevation view thereof;  
 FIG. 4 is a front elevation view thereof;  
 FIG. 5 is a rear elevation view thereof;  
 FIG. 6 is a bottom plan view thereof; and,  
 FIG. 7 is a top plan view thereof.

Throughout the Figures, broken lines showing structure are for illustrative purposes only and form no part of the claimed design.

- (56) **References Cited**
- U.S. PATENT DOCUMENTS
- D253,883 S 1/1980 Shimasaki
- D264,830 S 6/1982 Ishiyama
- D273,185 S 3/1984 Ishiyama
- D278,892 S 5/1985 Kobayashi

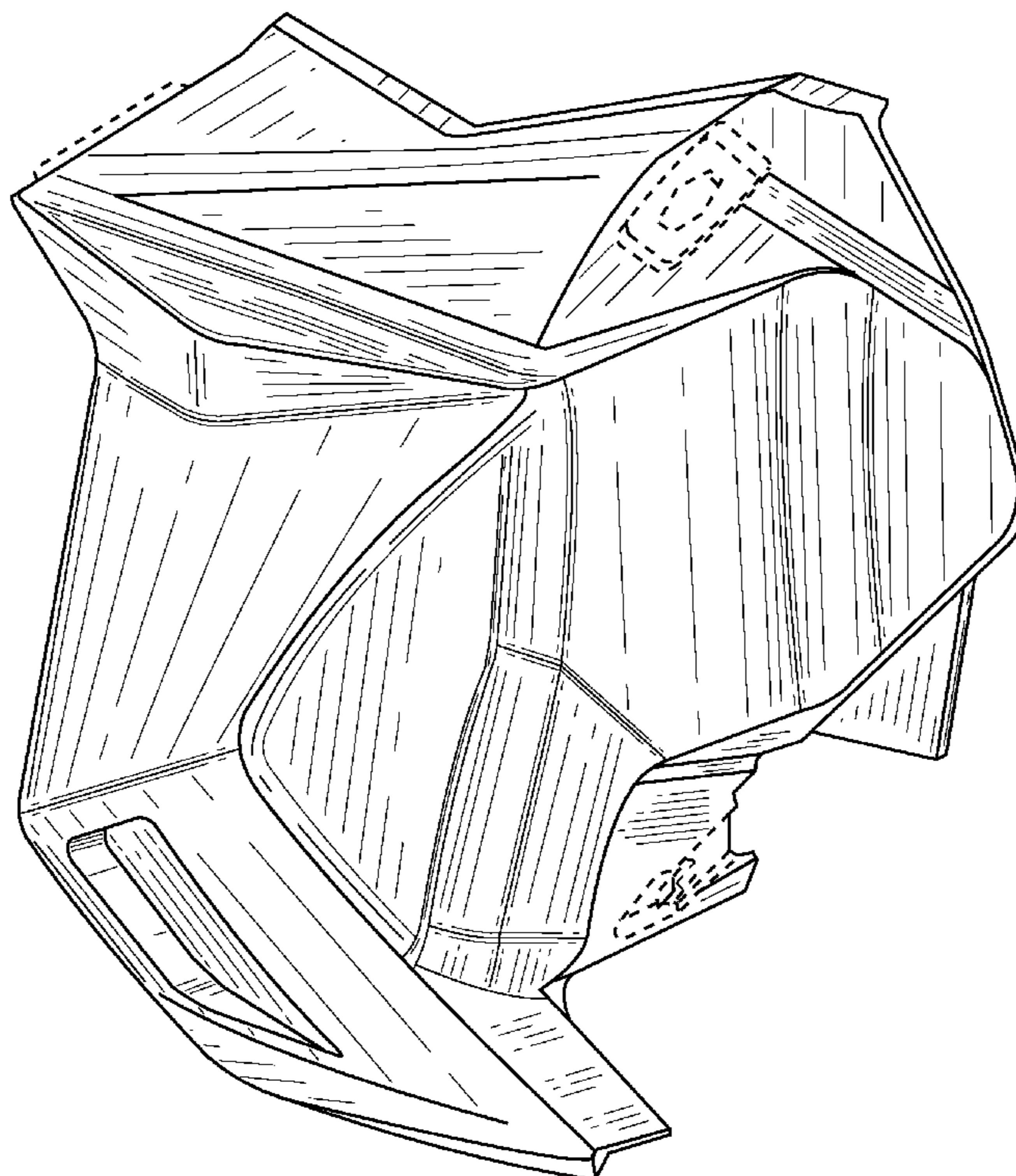
(Continued)

**OTHER PUBLICATIONS**

U.S. Appl. No. 29/298,597 Filed on Dec. 7, 2007. Title: Snowmobile Hood.

(Continued)

**1 Claim, 7 Drawing Sheets**



# US D580,821 S

Page 2

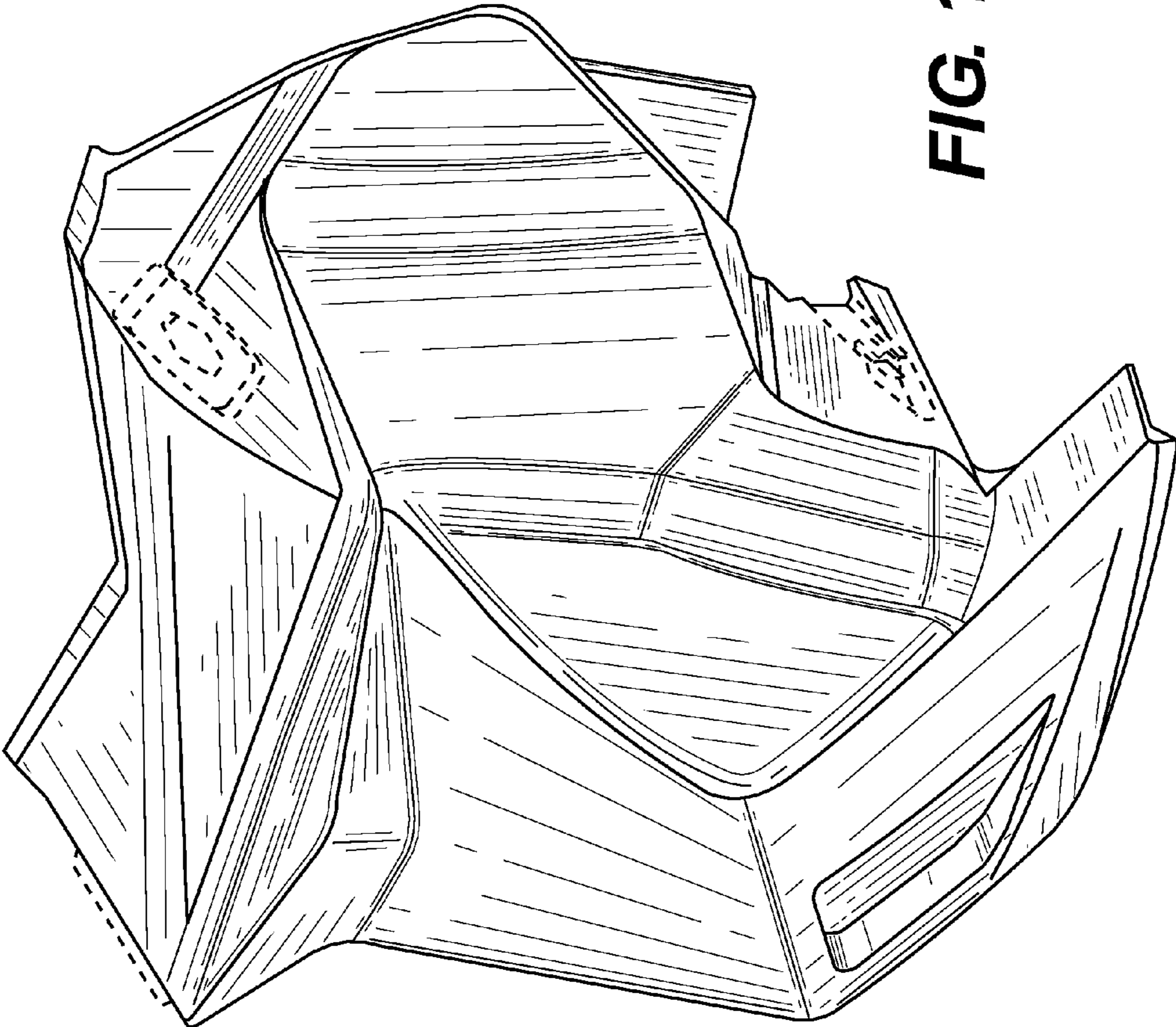
## U.S. PATENT DOCUMENTS

D314,535 S	2/1991	Matsue	
D319,607 S	9/1991	Anselme	
D328,575 S	8/1992	Berto	
D334,374 S	3/1993	Hornai	
D342,044 S	12/1993	Hornai	
D342,220 S	12/1993	Hornai	
D346,137 S	4/1994	Hornai	
D389,780 S	1/1998	Komatsu et al.	
D403,272 S	12/1998	Cadotte et al.	
D403,273 S *	12/1998	Cadotte et al.	..... D12/7
D438,821 S	3/2001	Cadotte et al.	
D446,166 S	8/2001	Cadotte et al.	
D457,106 S	5/2002	Cadotte et al.	
D457,202 S	5/2002	Baskin et al.	
D466,049 S	11/2002	Cadotte	
D468,547 S	1/2003	Cadotte et al.	
D477,247 S	7/2003	Cadotte et al.	
D477,248 S	7/2003	Cadotte et al.	
D478,297 S	8/2003	Cadotte et al.	
D478,532 S	8/2003	Crepeau et al.	
D479,490 S	9/2003	Cadotte et al.	
D479,696 S	9/2003	Cadotte et al.	
D479,697 S	9/2003	Cadotte et al.	
D479,813 S	9/2003	Cadotte et al.	
D479,814 S	9/2003	Cadotte et al.	
D479,815 S	9/2003	Crepeau et al.	
D479,816 S	9/2003	Crepeau et al.	
D480,019 S	9/2003	Cadotte et al.	
D480,020 S	9/2003	Crepeau et al.	
D487,233 S	3/2004	Cadotte et al.	
D487,413 S	3/2004	Cadotte et al.	
D488,094 S	4/2004	Cadotte et al.	
D488,095 S	4/2004	Cadotte et al.	
D488,096 S	4/2004	Cadotte et al.	
D488,097 S	4/2004	Cadotte et al.	
D488,098 S	4/2004	Cadotte et al.	
D488,404 S	4/2004	Cadotte et al.	
D493,121 S	7/2004	Sanschagrin et al.	
D493,390 S	7/2004	Sanschagrin et al.	
D494,100 S	8/2004	Sanschagrin et al.	
D494,502 S	8/2004	Sanschagrin et al.	
D494,503 S	8/2004	Sanschagrin et al.	
D494,504 S	8/2004	Sanschagrin et al.	
D494,505 S	8/2004	Sanschagrin et al.	
D494,889 S	8/2004	Sanschagrin et al.	
D495,274 S	8/2004	Sanschagrin et al.	
D495,973 S	9/2004	Cadotte et al.	
D496,883 S	10/2004	Sanschagrin et al.	
D499,669 S	12/2004	Sanschagrin et al.	
D505,889 S	6/2005	Girouard et al.	
D511,998 S	11/2005	Deluy	
D512,662 S	12/2005	Deluy	
D515,457 S	2/2006	Deluy	
D541,192 S	4/2007	Jokelainen	
D548,136 S	8/2007	Musselman	
D548,137 S	8/2007	Curthelet	
D548,645 S	8/2007	Curthelet	
D552,506 S	10/2007	Deluy	
D563,271 S *	3/2008	Curthelet	..... D12/7
2002/0084126 A1 *	7/2002	Bedard et al.	..... 180/190
2003/0150659 A1 *	8/2003	Fournier et al.	..... 180/190
2004/0104063 A1 *	6/2004	Cadotte et al.	..... 180/190

## OTHER PUBLICATIONS

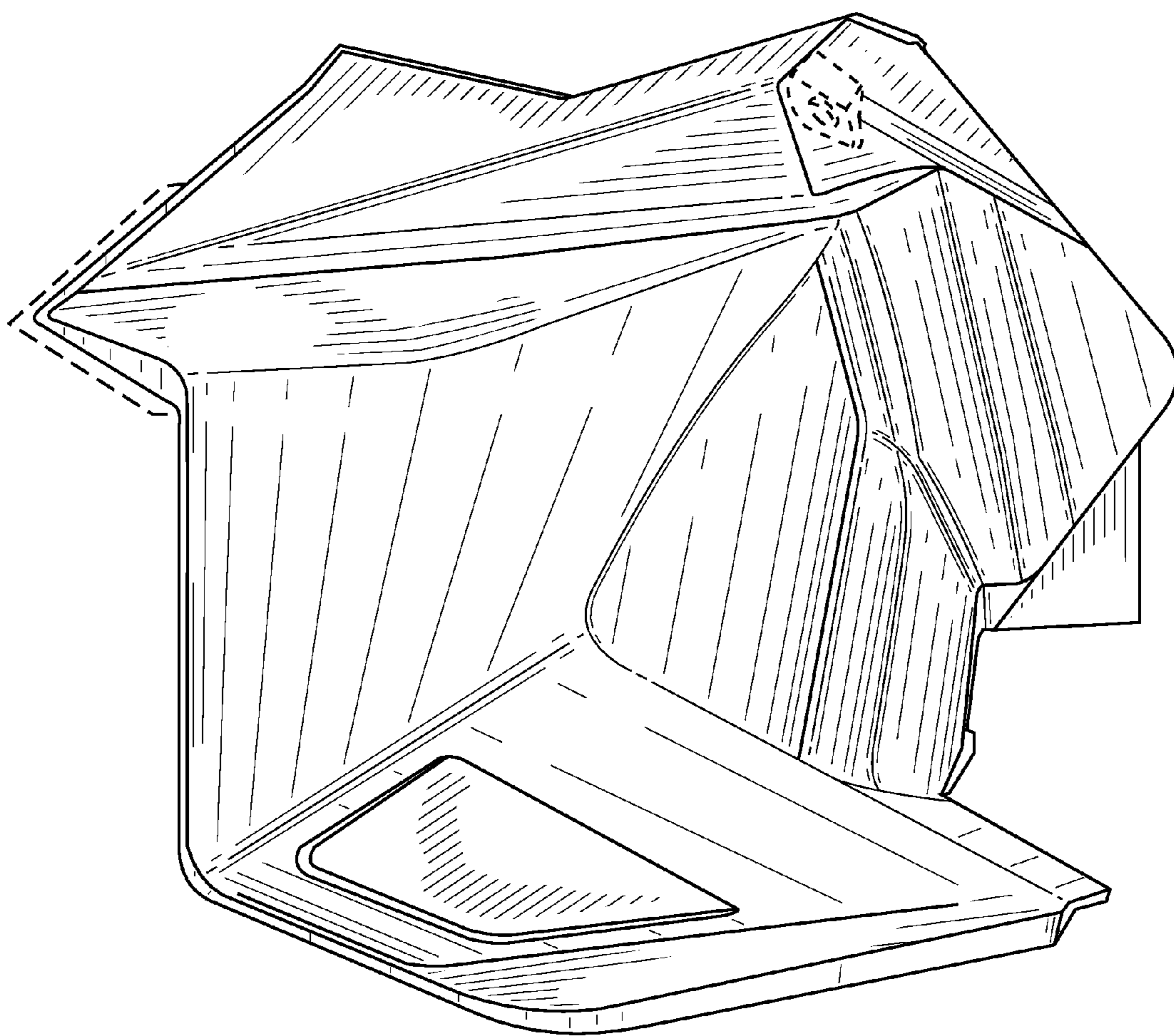
U.S. Appl. No. 29/298,601 Filed on Dec. 7, 2007. Title: Snwomobile.  
U.S. Appl. No. 29/298,601 Filed on Dec. 7, 2007. Title: Snwomobile.  
U.S. Appl. No. 29/298,602 Filed on Dec. 7, 2007. Title: Snowmobile.

\* cited by examiner

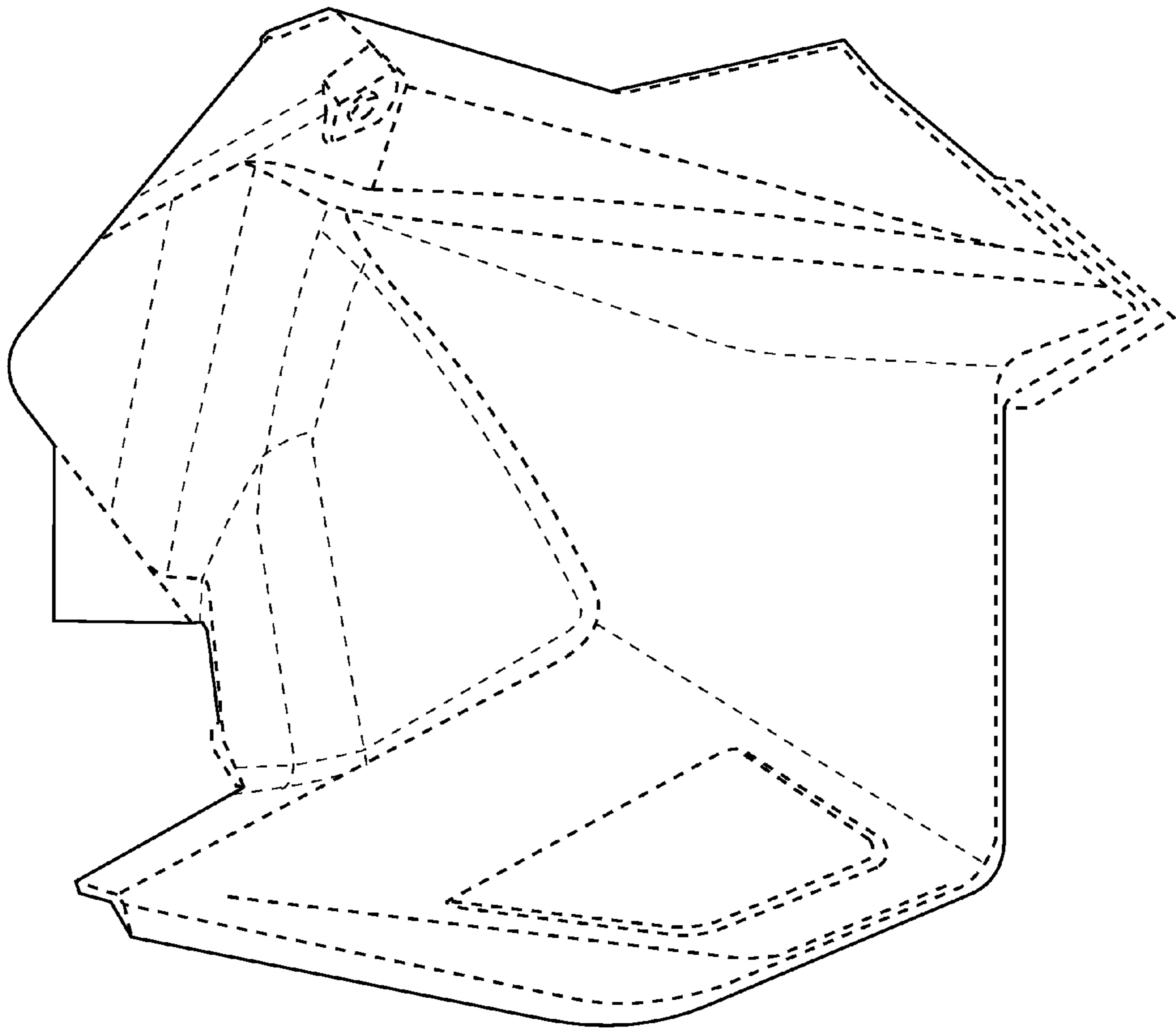


**FIG. 1**

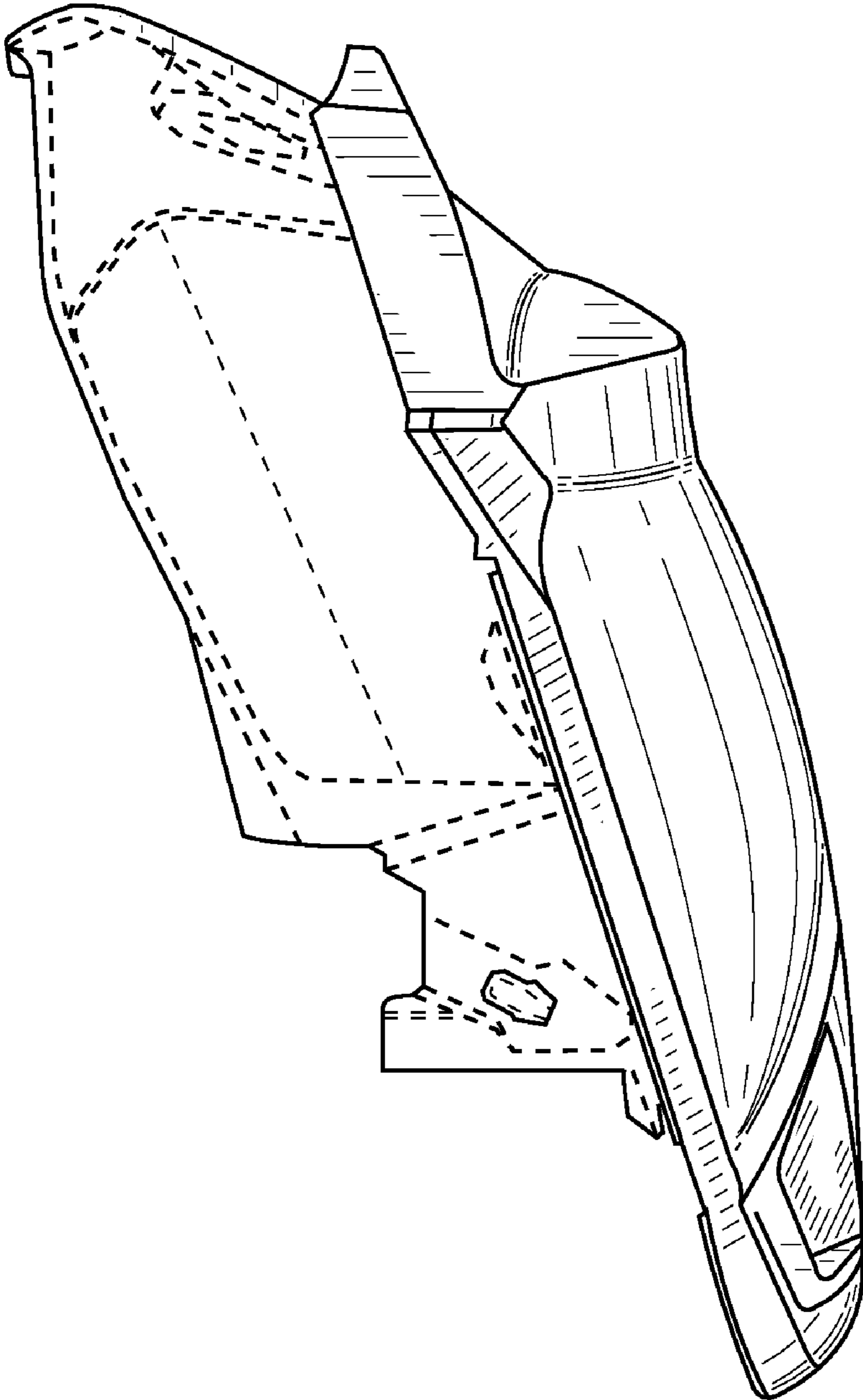




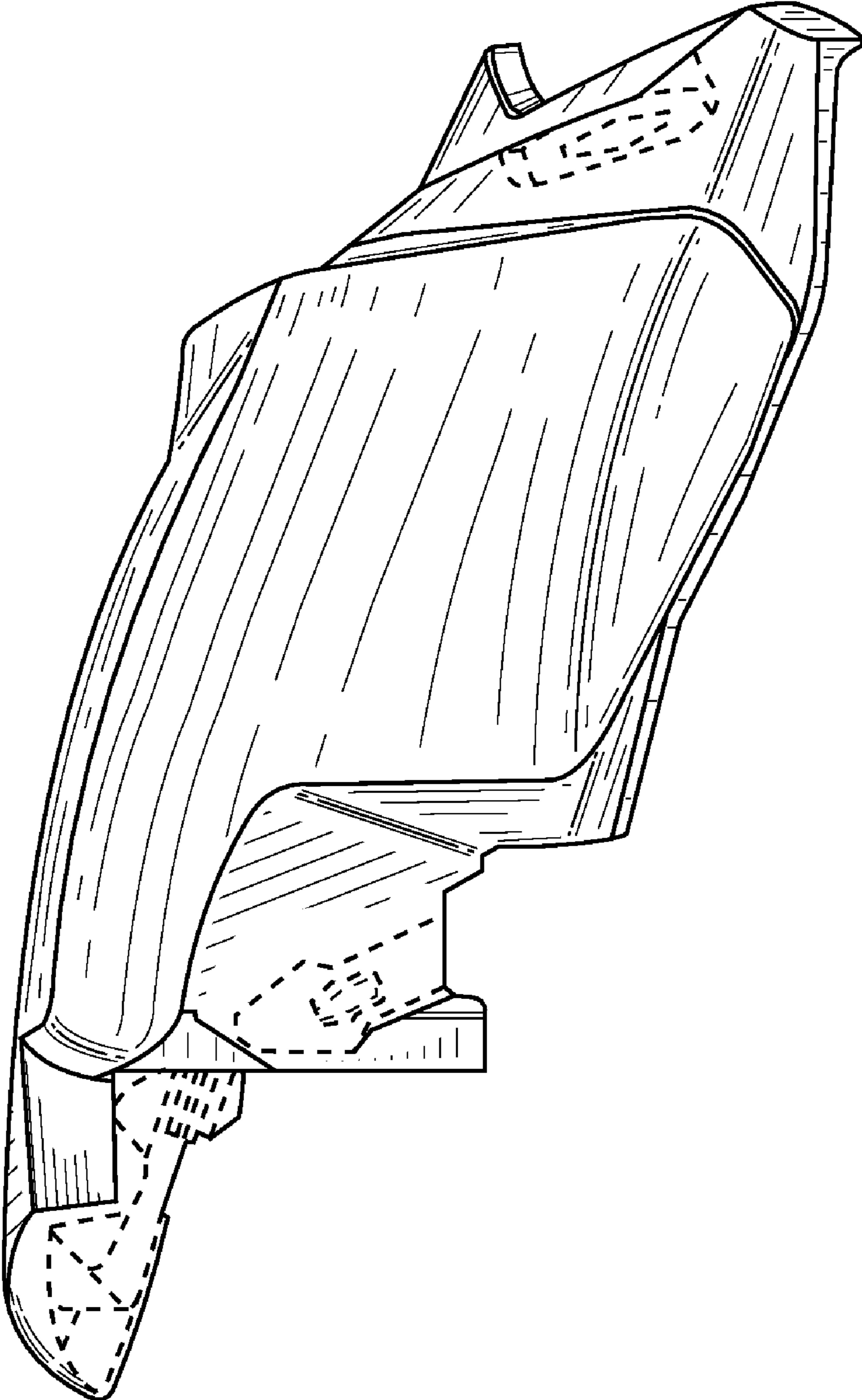
**FIG. 2**



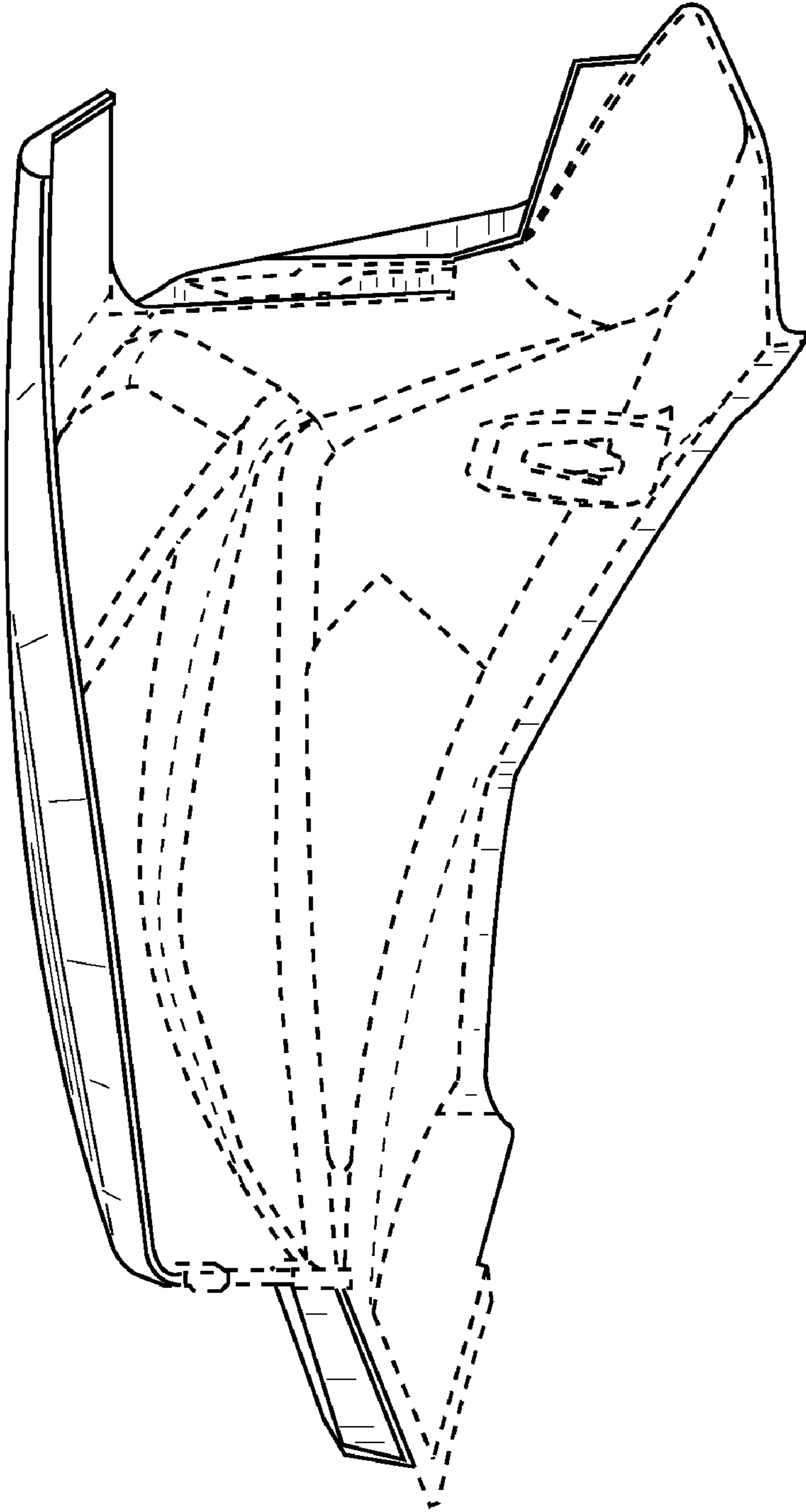
**FIG. 3**



**FIG. 4**

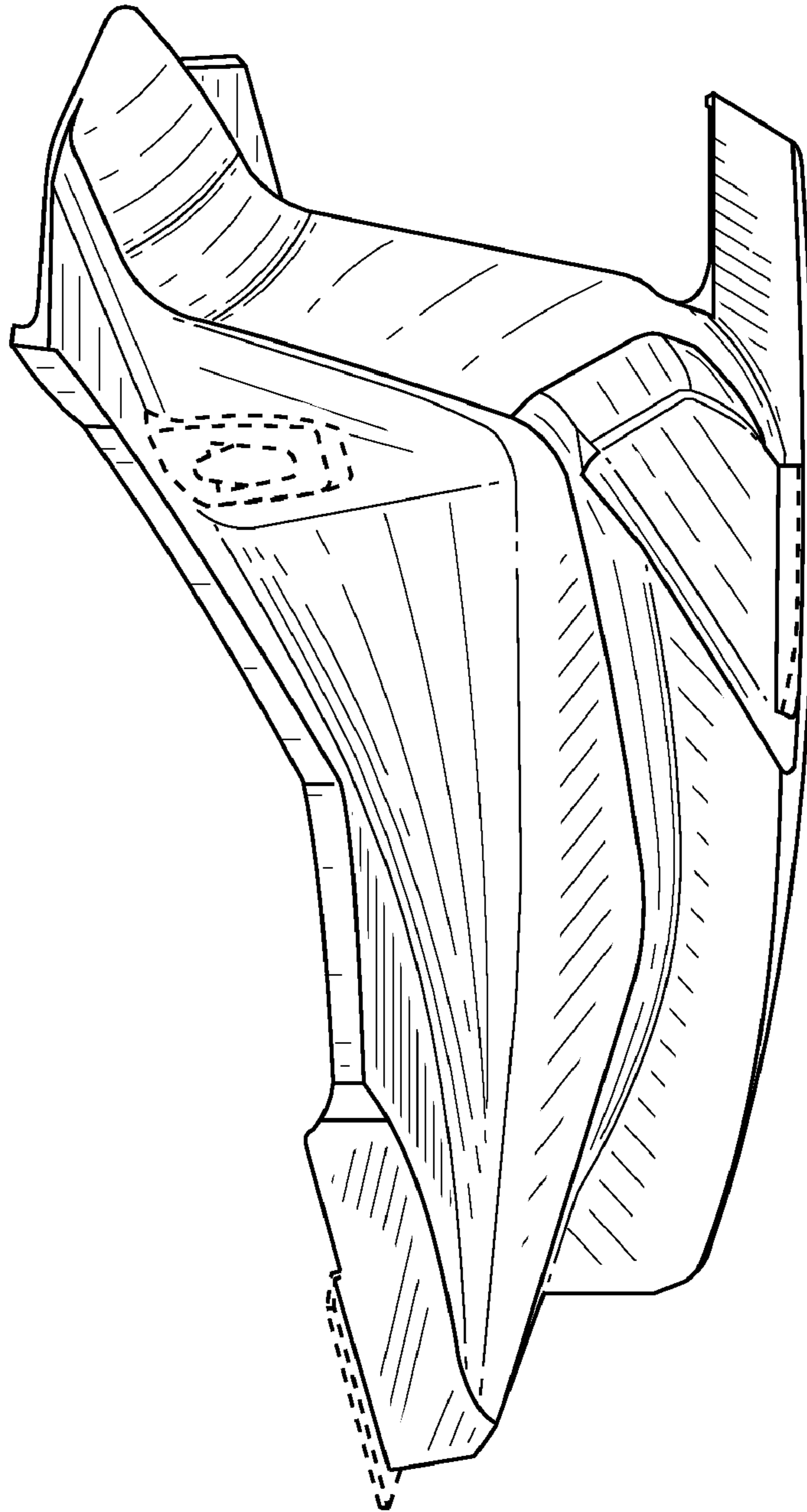


**FIG. 5**



**FIG. 6**





**FIG. 7**