



US00D580820S

(12) **United States Design Patent**
Daykin

(10) **Patent No.:** **US D580,820 S**
(45) **Date of Patent:** **** Nov. 18, 2008**

(54) **CHILD SAFETY BUCKLE**

(75) Inventor: **Kevin Daykin**, Northampton (GB)

(73) Assignee: **Armon Ltd.**, Geneva (CH)

(**) Term: **14 Years**

(21) Appl. No.: **29/293,455**

(22) Filed: **Nov. 26, 2007**

(30) **Foreign Application Priority Data**

Jun. 27, 2007 (EM) 000747738

(51) **LOC (8) Cl.** **02-07**

(52) **U.S. Cl.** **D11/216**

(58) **Field of Classification Search** D11/1-2,
D11/86, 87, 200-201, 206-210, 212-216,
D11/218; 24/163 R, 169-171, 173, 177-179,
24/191, 194-195, 197, 200, 303, 633
See application file for complete search history.

(56) **References Cited**

U.S. PATENT DOCUMENTS

6,393,677 B1 * 5/2002 Anscher 24/630

6,543,101 B2 * 4/2003 Sack et al. 24/633
D511,714 S * 11/2005 Pontaoe D11/216
D522,014 S * 5/2006 Gibson D14/485
D536,640 S * 2/2007 Kawamura et al. D11/216

* cited by examiner

Primary Examiner—R. Seifert

(74) *Attorney, Agent, or Firm*—Andrew Wilford

(57) **CLAIM**

The ornamental design for a child safety buckle, as shown and described.

DESCRIPTION

FIG. 1 is an oblique view of a child safety buckle showing my new design;

FIG. 2 is a front elevational view thereof;

FIG. 3 is a rear elevational view thereof;

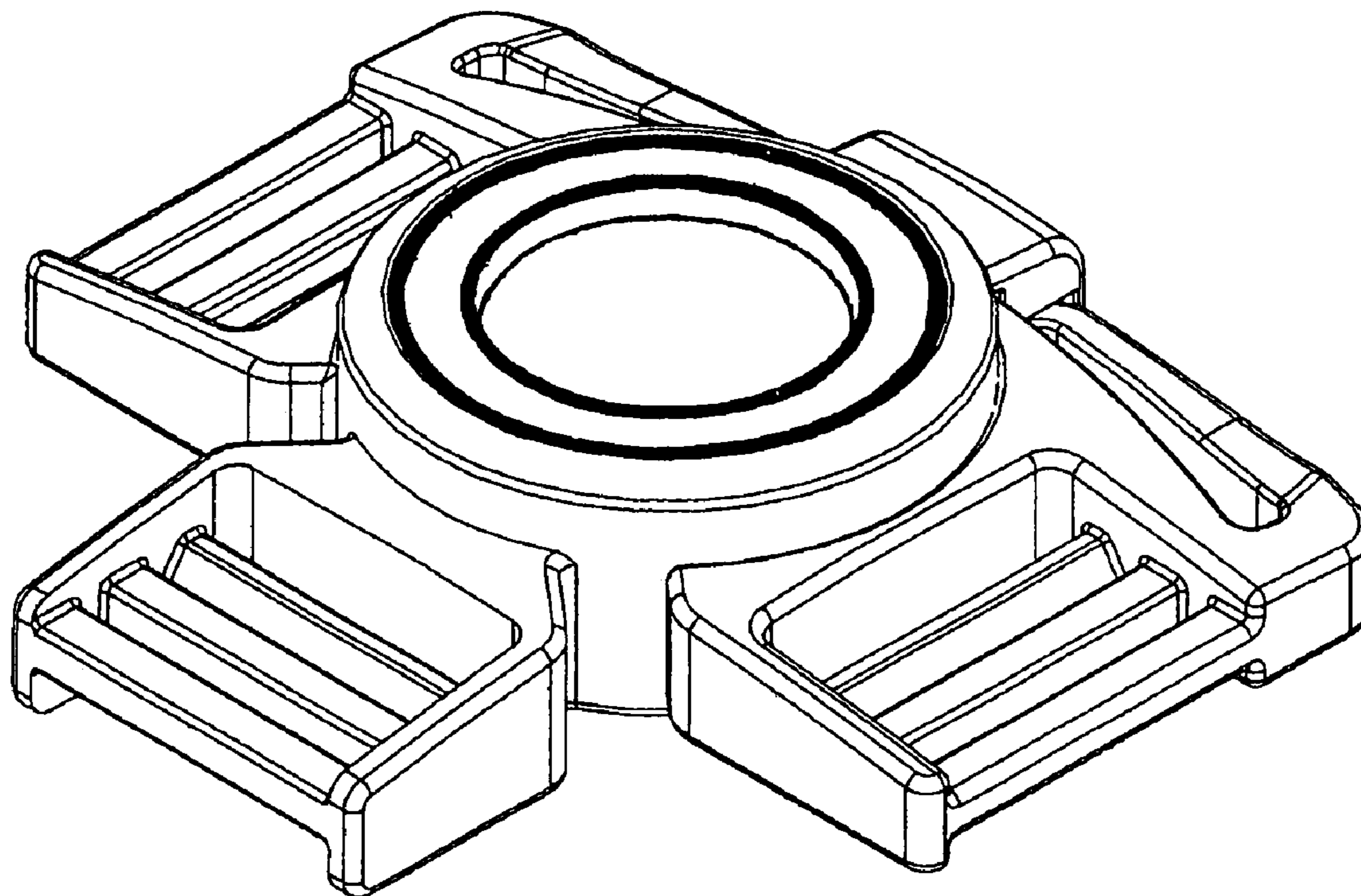
FIG. 4 is a top plan view thereof;

FIG. 5 is a bottom plan view thereof;

FIG. 6 is a left-side elevational view thereof; and,

FIG. 7 is a right-side elevational view thereof.

1 Claim, 7 Drawing Sheets



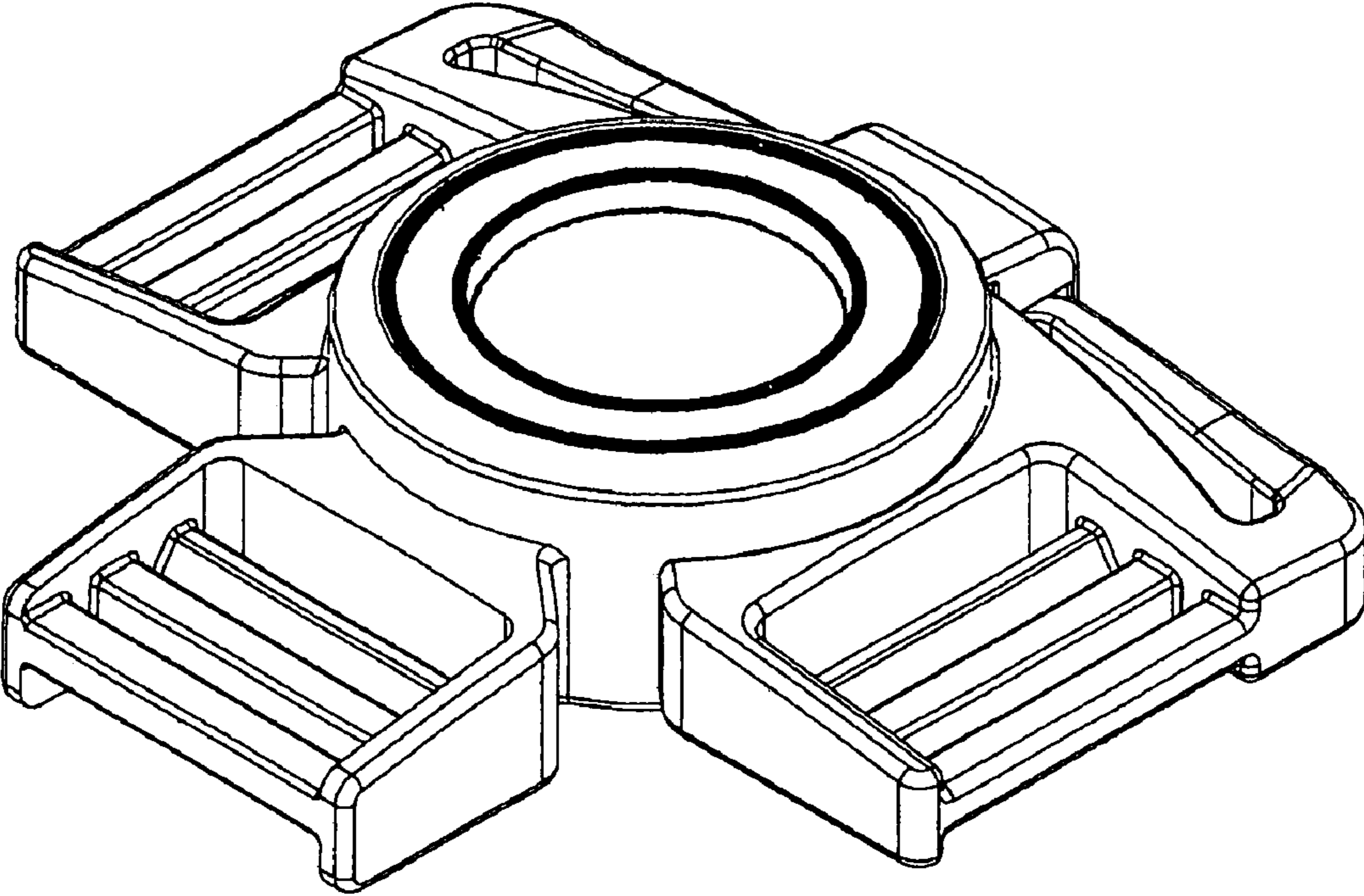


FIG. 1

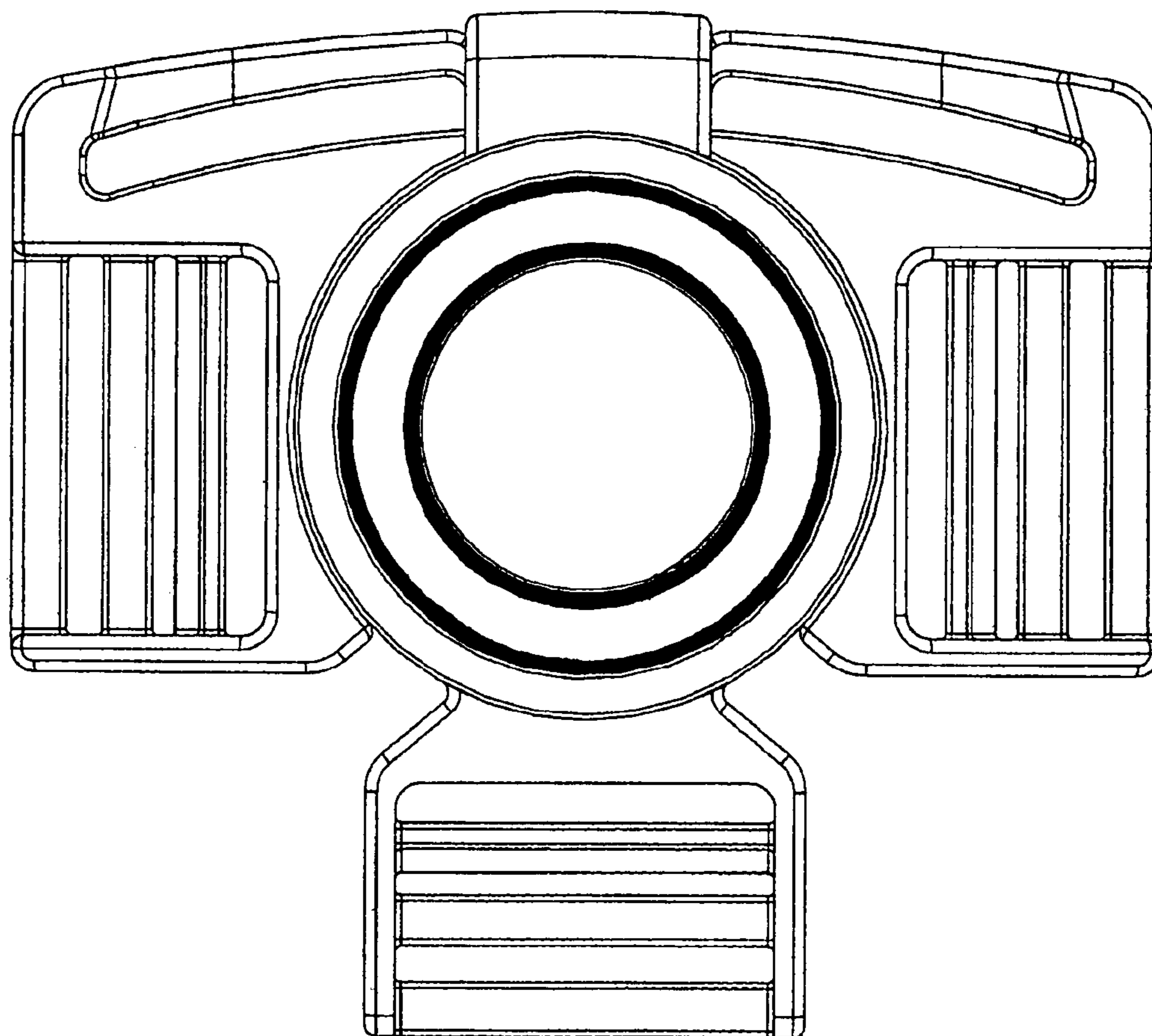


FIG. 2

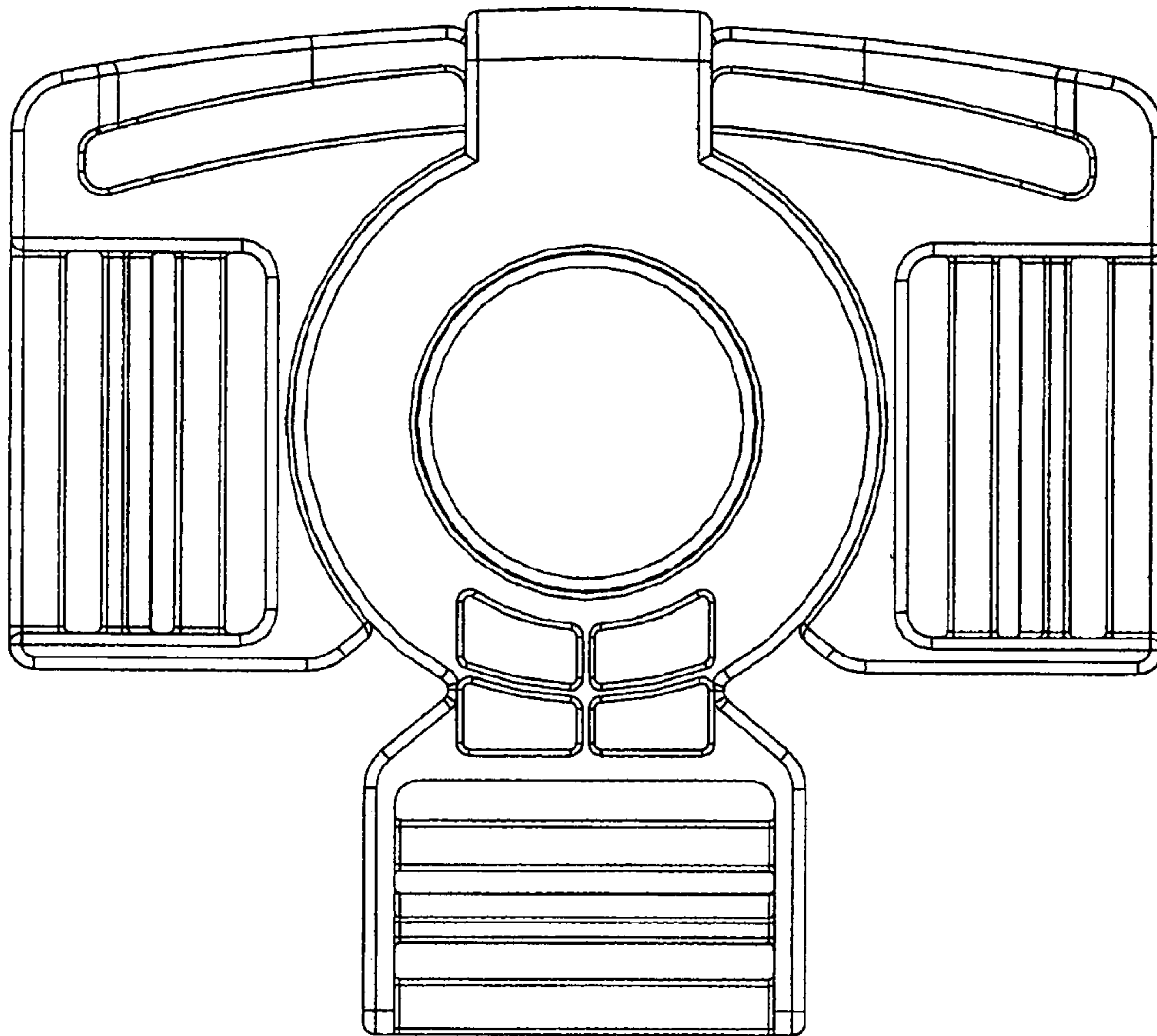


FIG. 3

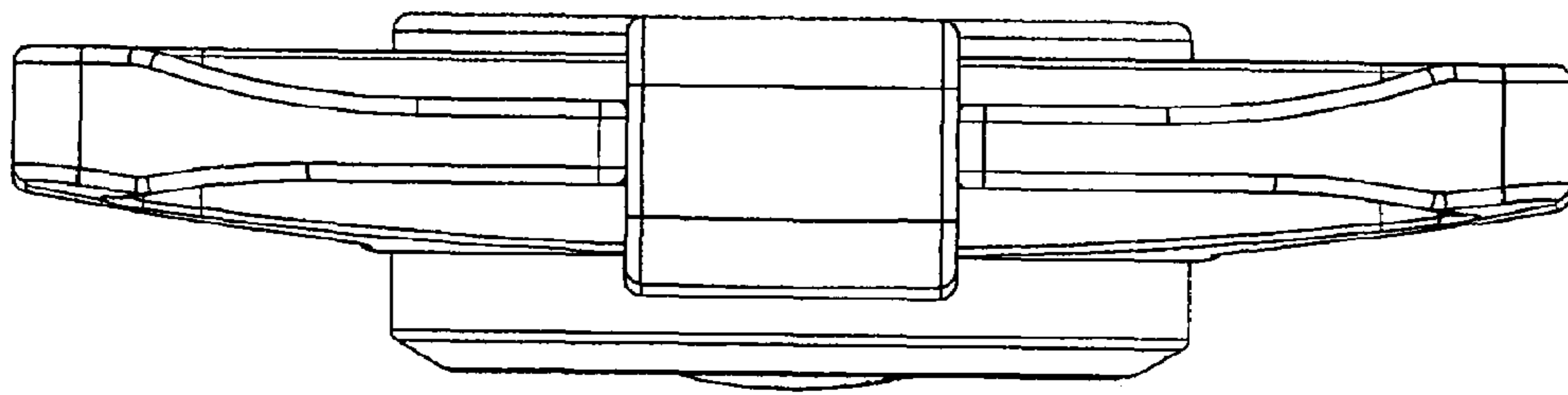


FIG. 4

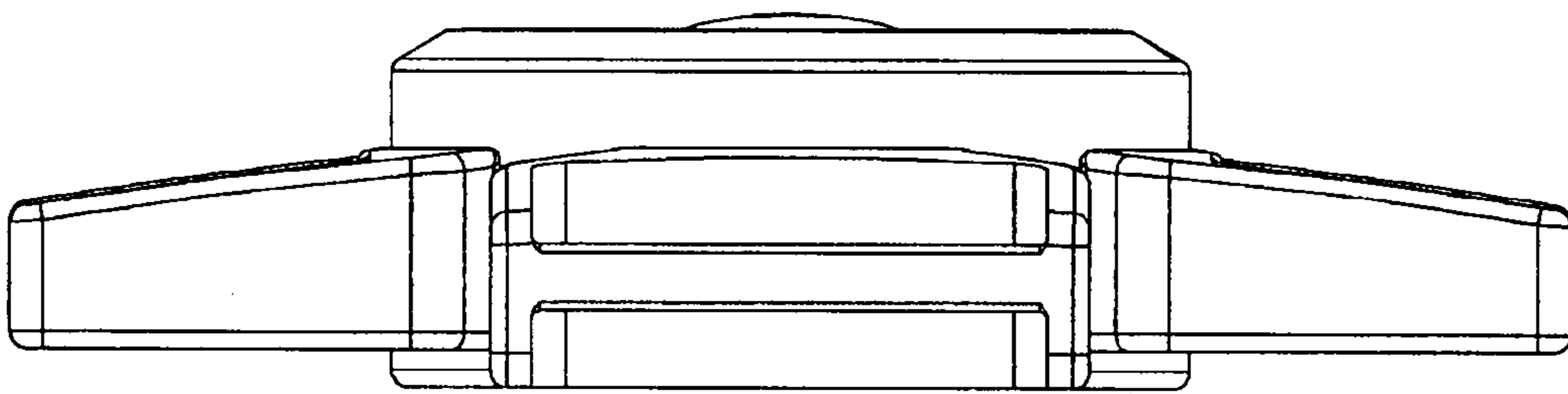


FIG. 5

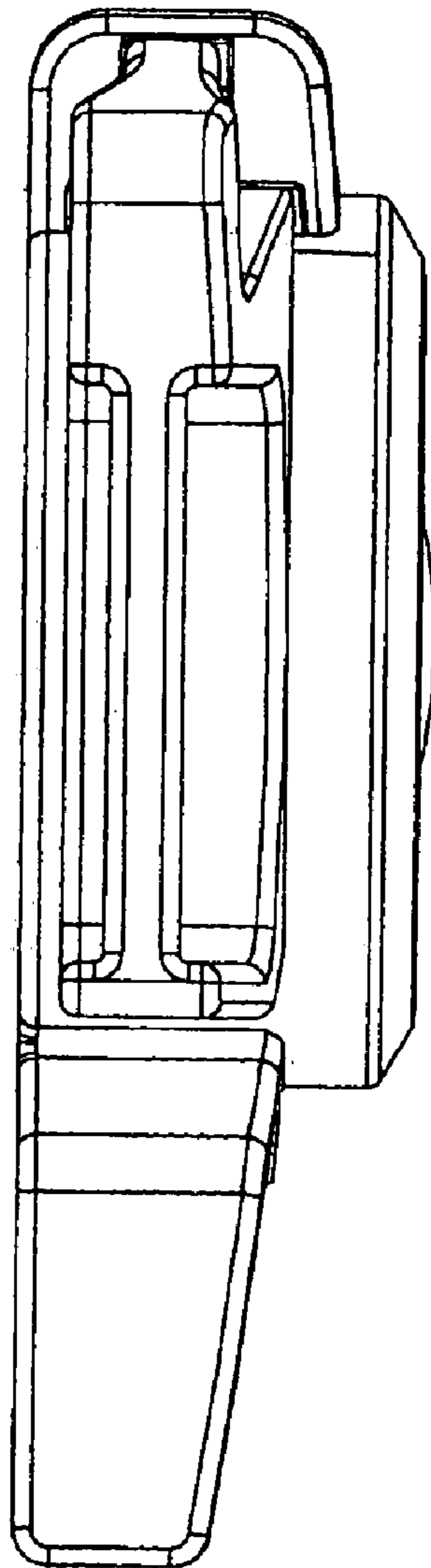


FIG. 6

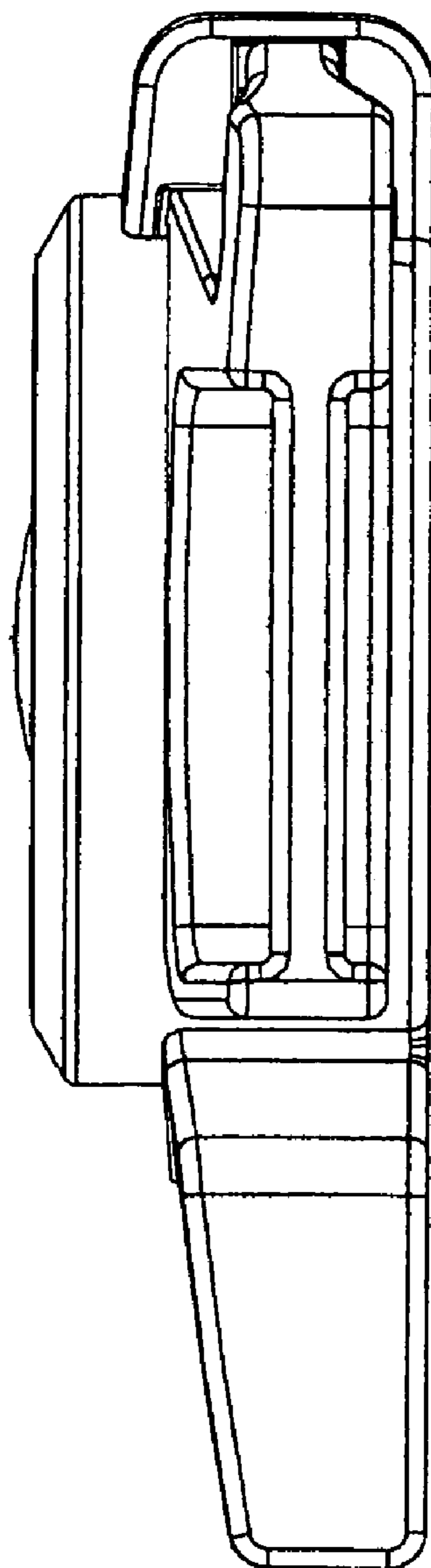


FIG. 7