



US00D580818S

(12) **United States Design Patent**  
**Ohta et al.**

(10) **Patent No.:** **US D580,818 S**

(45) **Date of Patent:** **\*\* Nov. 18, 2008**

(54) **KEY CASE**

(76) Inventors: **Tsuyoshi Ohta**, 3-1-2-437  
Shiyokohama, Kohoku-ku,  
Yokohama-shi (JP); **Rumi Ohta**,  
3-1-2-437 Shiyokohama, Kohoku-ku,  
Yokohama-shi (JP)

(\*\*) Term: **14 Years**

(21) Appl. No.: **29/298,825**

(22) Filed: **Dec. 13, 2007**

(30) **Foreign Application Priority Data**

Jun. 14, 2007 (JP) ..... 2007-019078  
Jun. 14, 2007 (JP) ..... 2007-019079  
Jun. 14, 2007 (JP) ..... 2007-019081

(51) **LOC (8) Cl.** ..... **03-01**

(52) **U.S. Cl.** ..... **D11/207**

(58) **Field of Classification Search** ..... D3/207–212;  
D11/31–33, 44, 48–51, 66; 70/456 R, 456 B,  
70/457–460; 24/3.6; D13/168; 362/116;  
D8/348

See application file for complete search history.

(56) **References Cited**

**U.S. PATENT DOCUMENTS**

D394,153 S \* 5/1998 Martin ..... D3/208  
D399,051 S \* 10/1998 Wu ..... D3/208  
D423,396 S \* 4/2000 Wolf ..... D11/90  
D440,902 S \* 4/2001 Wolf ..... D11/90  
D456,600 S \* 5/2002 Gadson ..... D3/208  
D458,183 S \* 6/2002 Namdar ..... D11/90

D461,047 S \* 8/2002 Peterson ..... D3/208  
D476,256 S \* 6/2003 Namdar ..... D11/90  
D478,528 S \* 8/2003 Mehta et al. .... D11/90  
D479,708 S \* 9/2003 Hwang et al. .... D13/168  
D495,483 S \* 9/2004 Vickers et al. .... D3/208  
D506,411 S \* 6/2005 Krochmal ..... D11/90  
D537,379 S \* 2/2007 Namdar ..... D11/90  
D545,238 S \* 6/2007 Krochmal ..... D11/90  
D553,850 S \* 10/2007 Trower ..... D3/208  
D566,609 S \* 4/2008 Novikov ..... D11/90

\* cited by examiner

*Primary Examiner*—R. Seifert

(74) *Attorney, Agent, or Firm*—Lucas & Mercanti, LLP

(57) **CLAIM**

The new and ornamental design for the key case, substantially as shown and described.

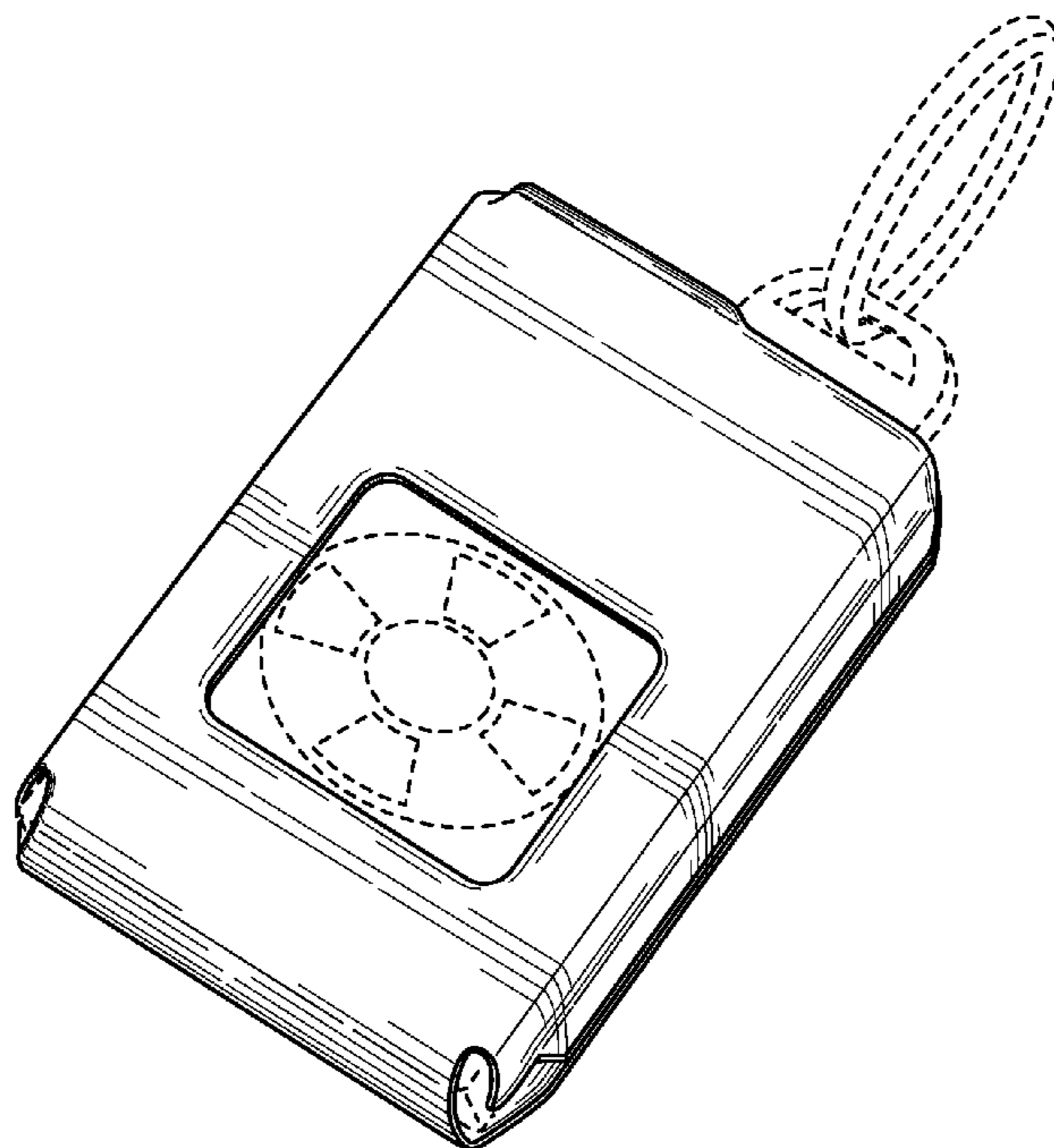
**DESCRIPTION**

FIG. 1 is a reference perspective view of a key case, FIG. 2 is a front view of the key case, FIG. 3 is a rear view of the key case, FIG. 4 is a left side view of the key case, FIG. 5 is a right side view of the key case, FIG. 6 is a top view of the key case; and, FIG. 7 is a bottom view of the key case.

This article is a key case in which a card-type or box-type electronic key is housed.

It being understood that the broken lines are for illustrative purposes only and form no part of the claimed design.

**1 Claim, 4 Drawing Sheets**



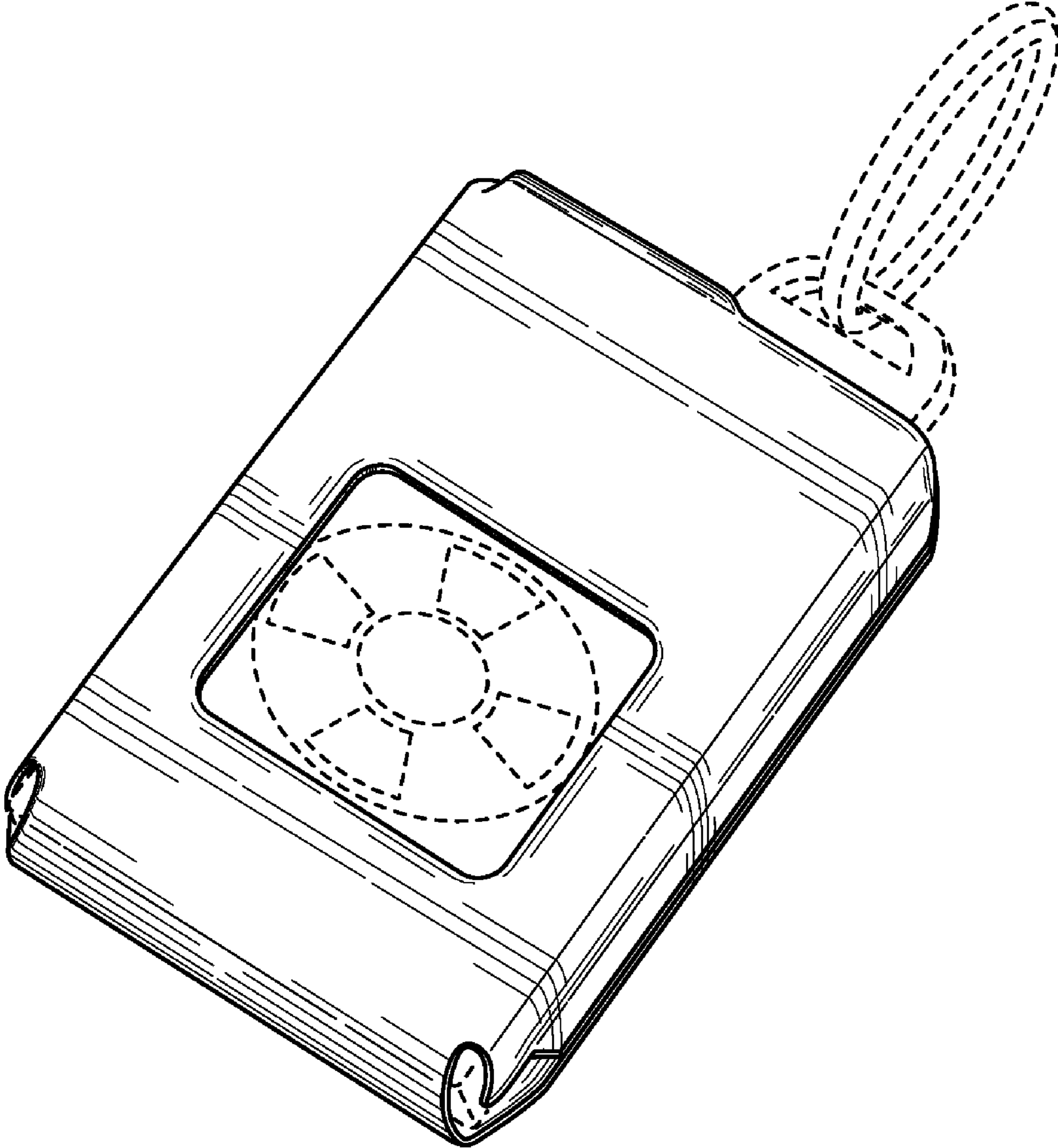


FIG. 1

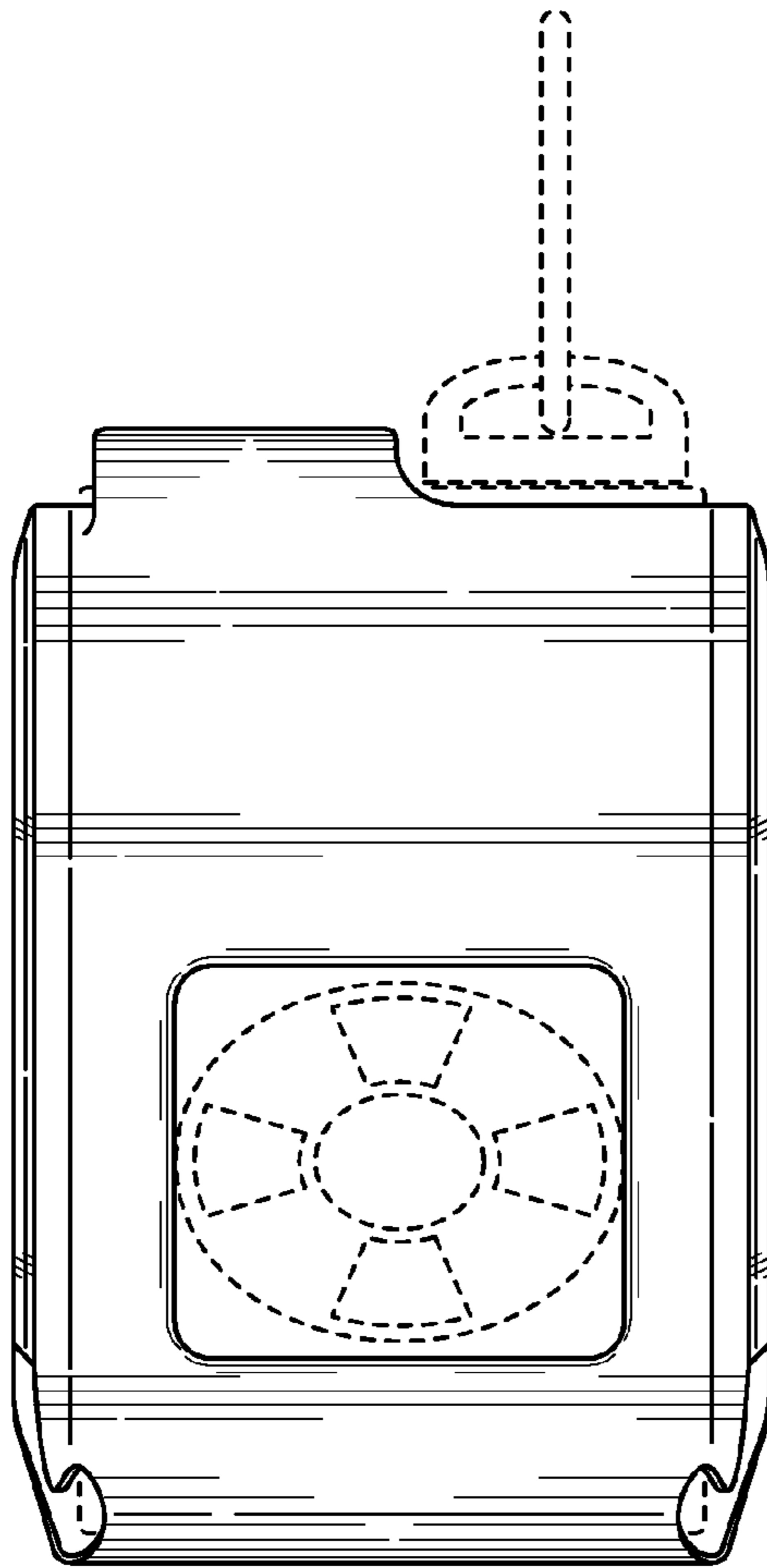


FIG. 2

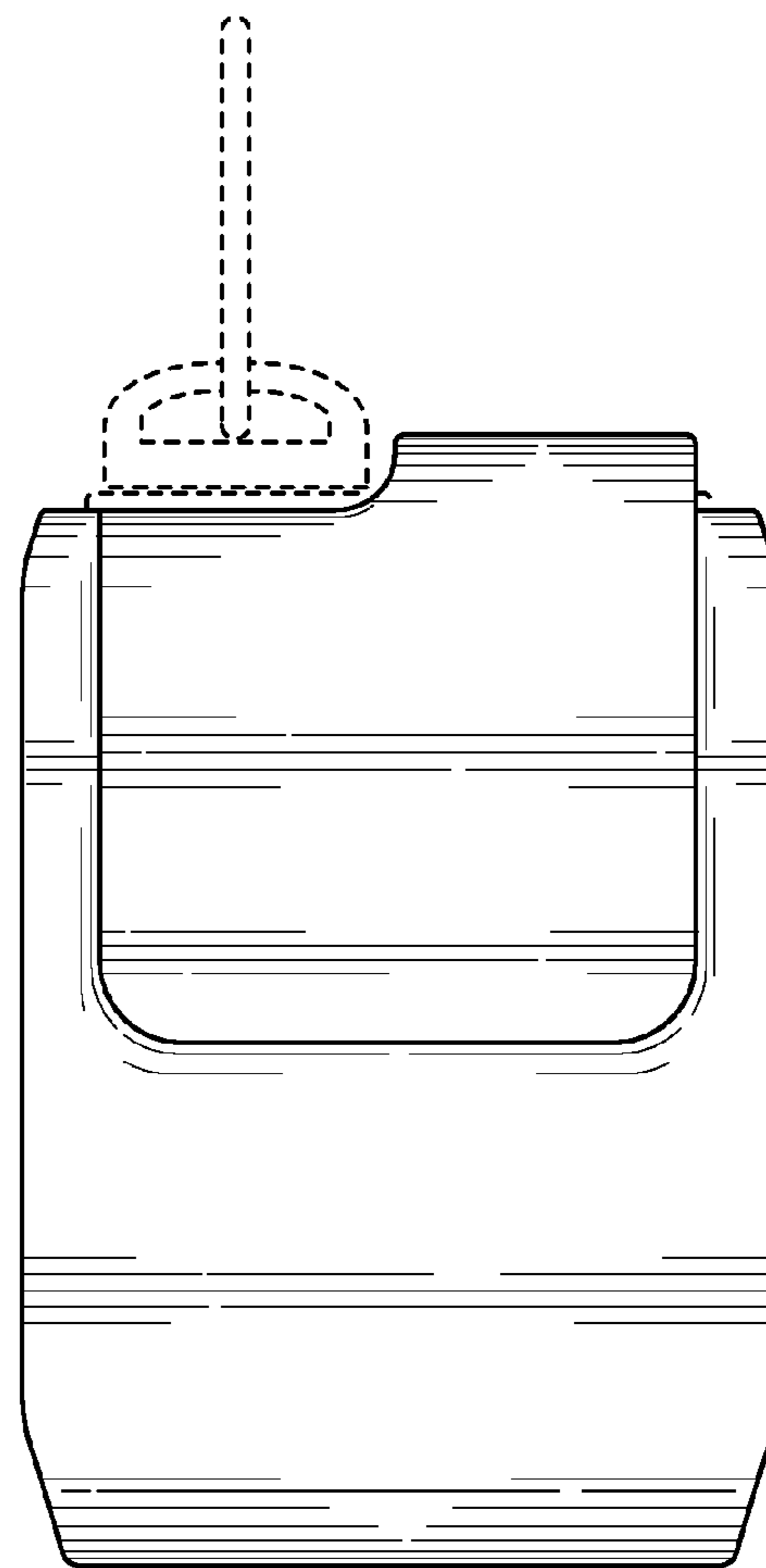


FIG. 3

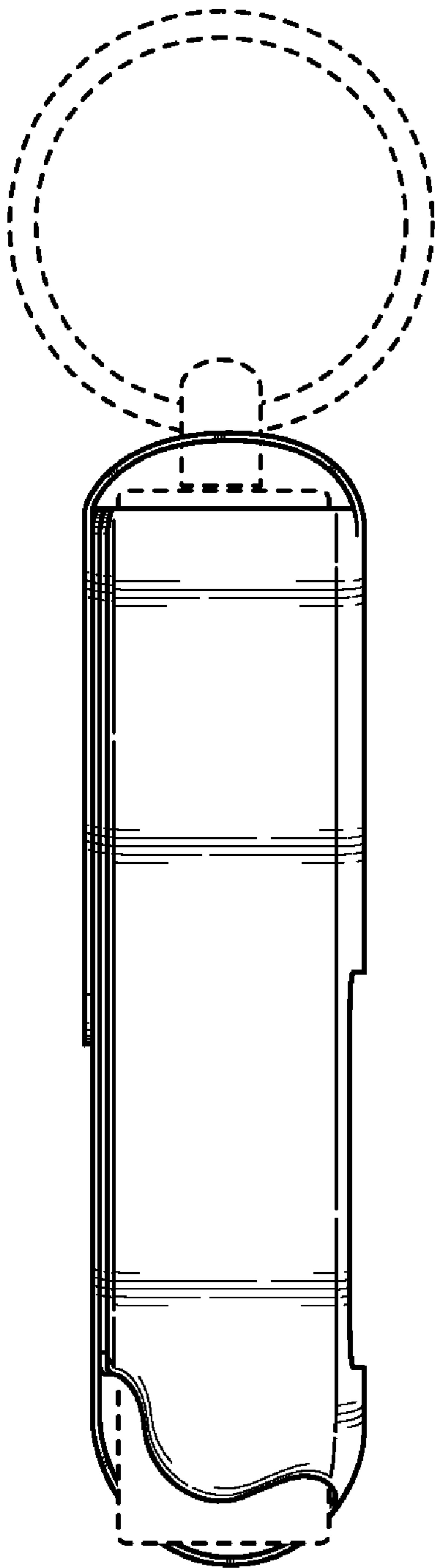


FIG. 4

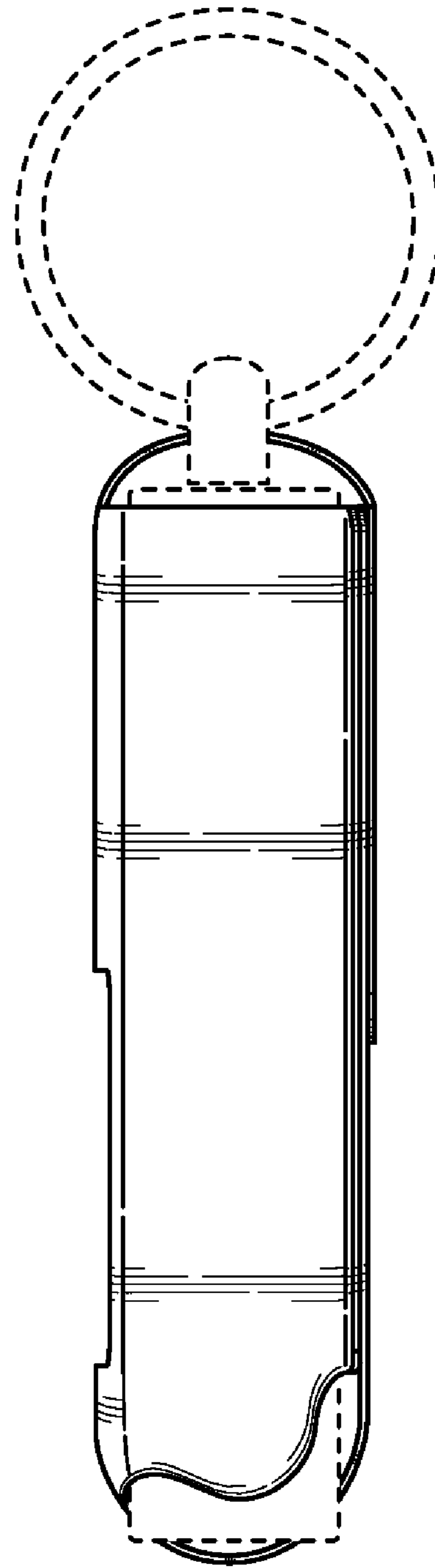


FIG. 5

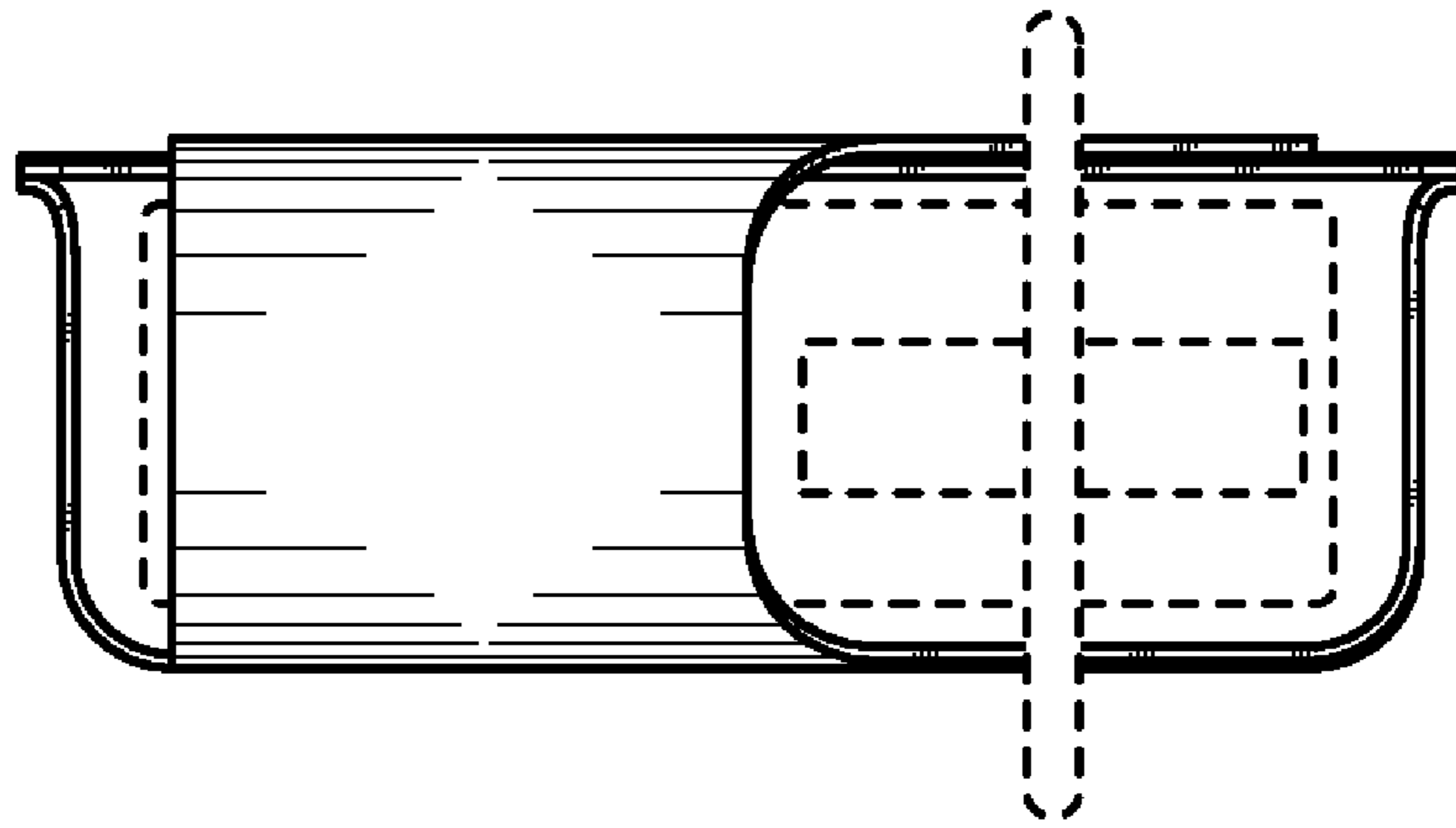


FIG. 6

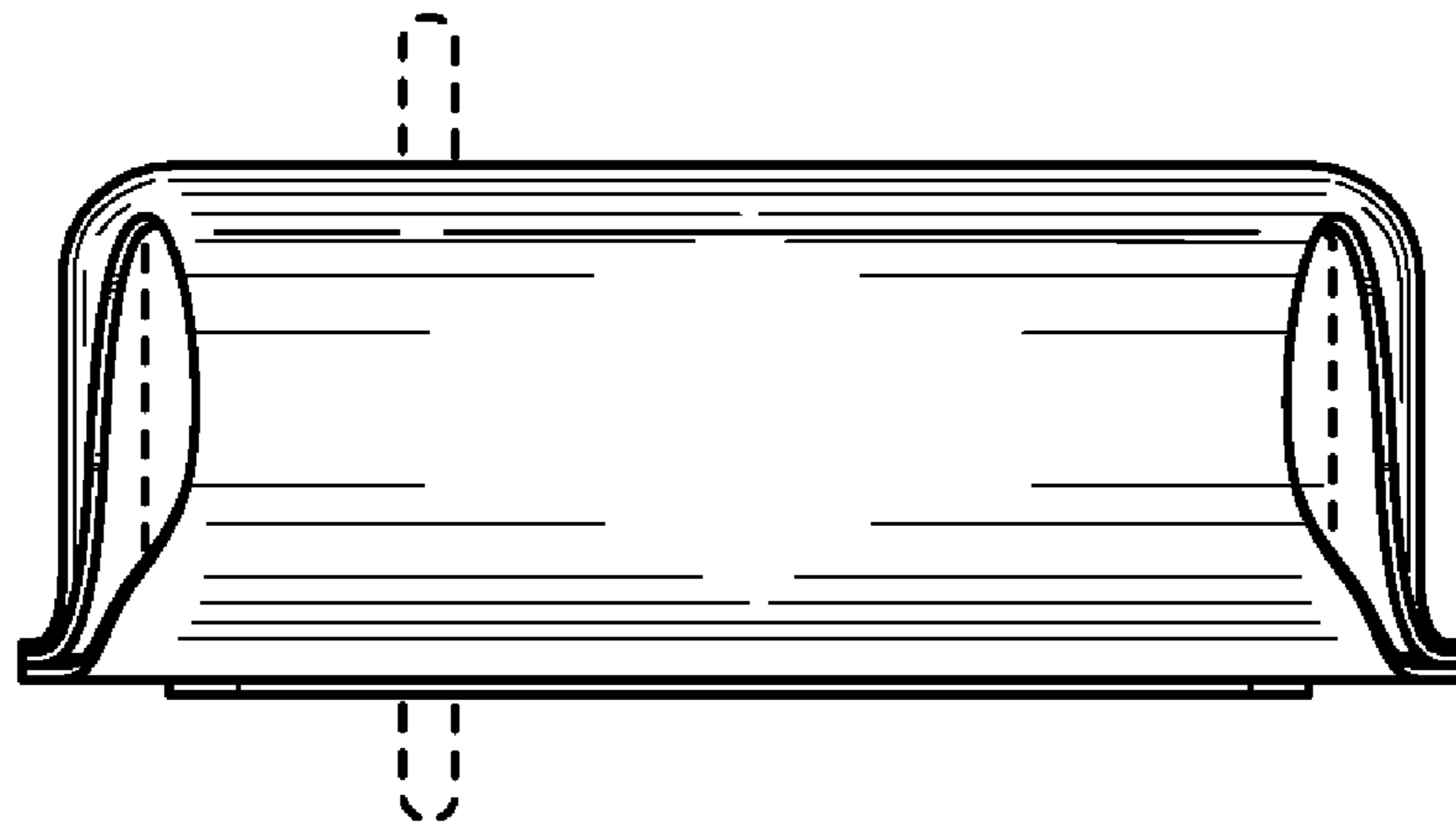


FIG. 7