



US00D580814S

(12) **United States Design Patent**  
**Beizer**

(10) **Patent No.:** **US D580,814 S**

(45) **Date of Patent:** **\*\* Nov. 18, 2008**

(54) **JEWELRY CLASP**

D154,074 S \* 6/1949 Spear ..... D11/87  
D154,527 S \* 7/1949 Bardach ..... D11/87

(76) Inventor: **Wendy Gliedman Beizer**, 18  
Kensington Rd., Scarsdale, NY (US)  
10583

\* cited by examiner

*Primary Examiner*—R. Seifert

(\*\*) Term: **14 Years**

(57) **CLAIM**

(21) Appl. No.: **29/294,691**

The ornamental design for a jewelry clasp, as shown and described.

(22) Filed: **Jan. 24, 2008**

**DESCRIPTION**

(51) **LOC (8) Cl.** ..... **11-01**

FIG. 1 is a top left perspective view;

(52) **U.S. Cl.** ..... **D11/87**

FIG. 2 is a front elevation view;

(58) **Field of Classification Search** ..... D11/1-2,  
D11/86, 87, 200-201, 206-210, 212-216,  
D11/218; 24/163 R, 169-171, 173, 177-179,  
24/191, 194-195, 197, 200, 303

FIG. 3 is a right side elevation view, the left elevation being a mirror image thereof;

See application file for complete search history.

FIG. 4 is a rear elevation view; and,

(56) **References Cited**

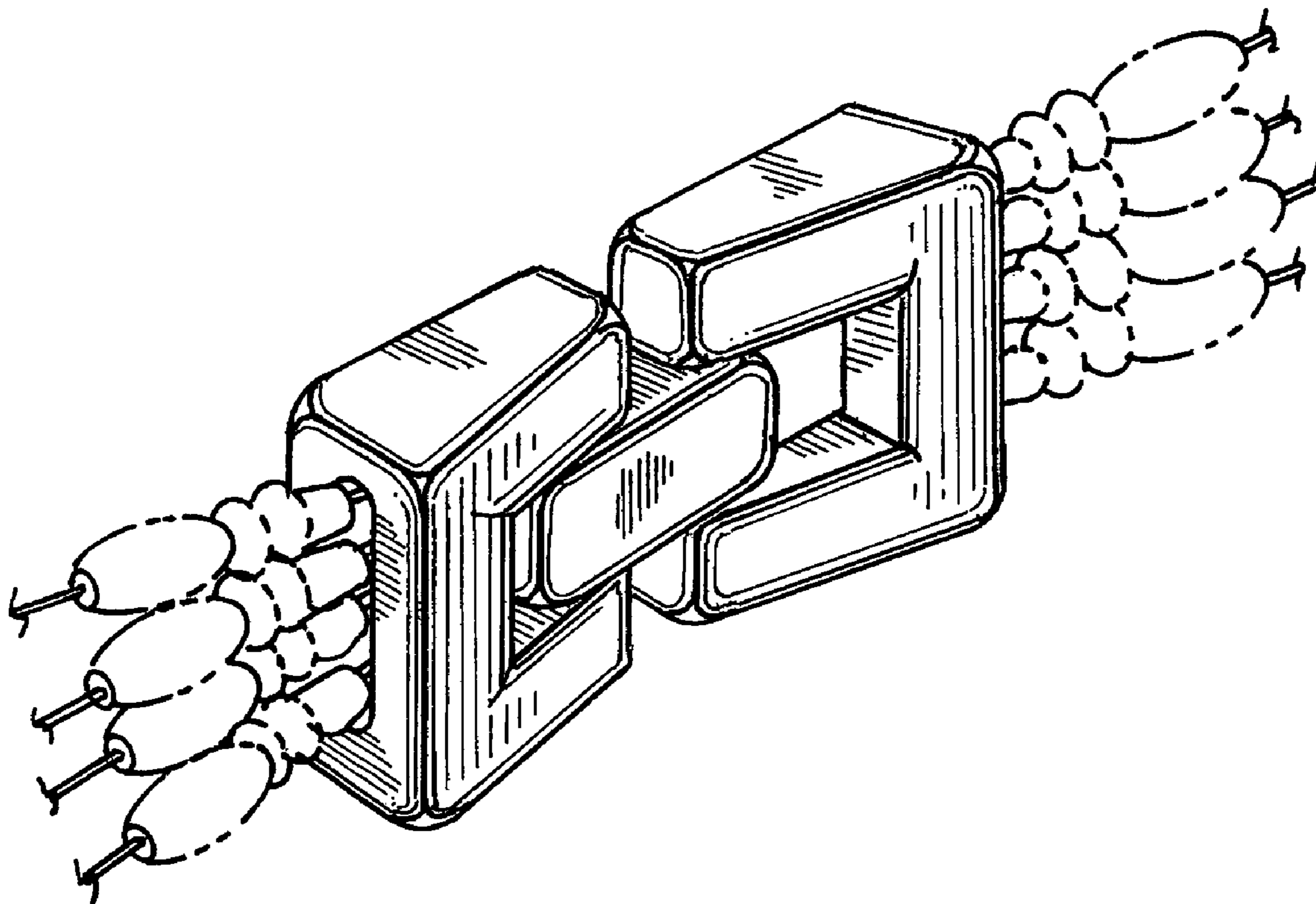
FIG. 5 is a top plan view, the bottom plan view being a mirror image thereof.

**U.S. PATENT DOCUMENTS**

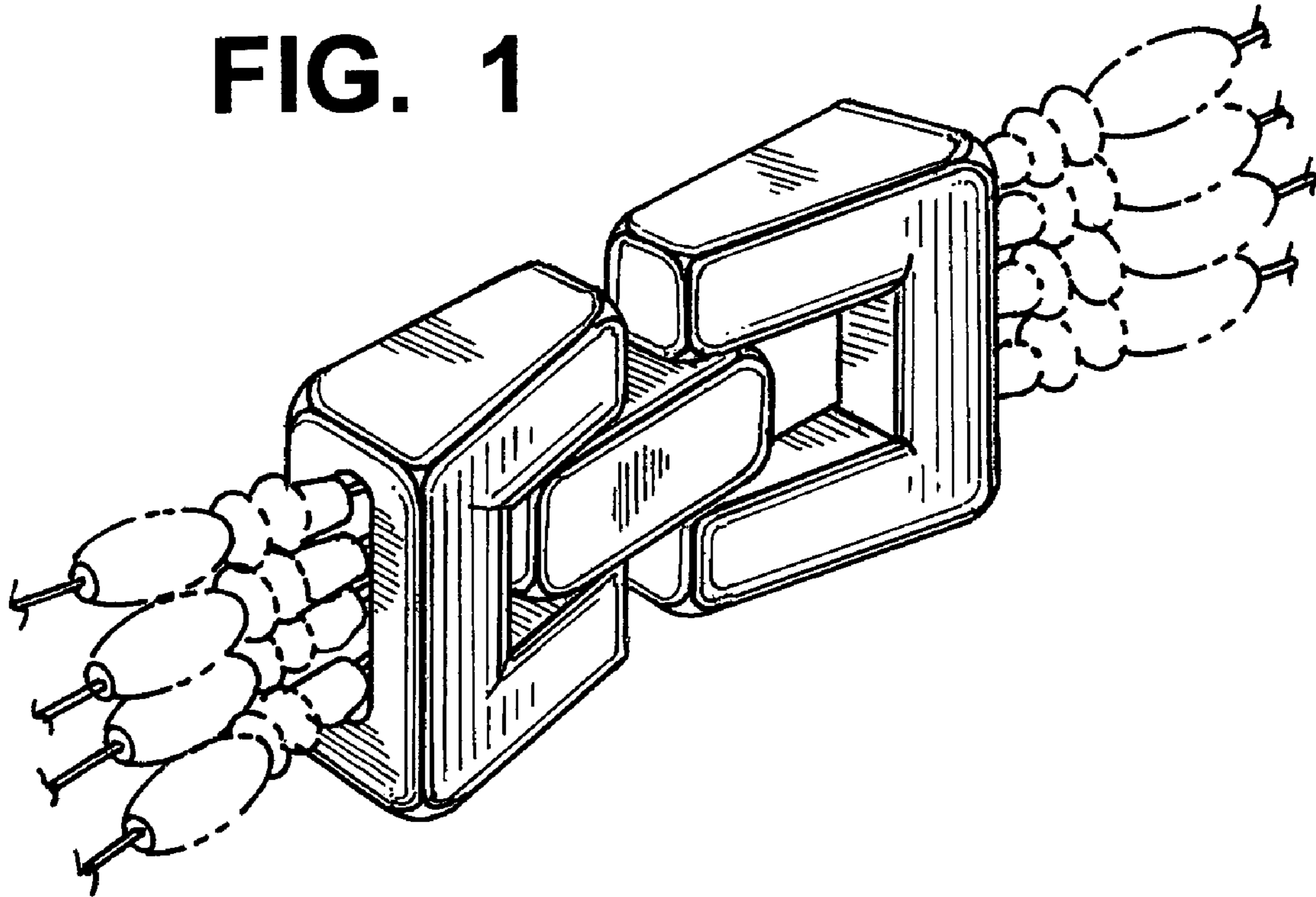
It being understood that the broken lines are for illustrative purposes only and form no part of the claimed design.

D148,126 S \* 12/1947 Bardach ..... D11/87  
D153,022 S \* 3/1949 Philippe ..... D11/87

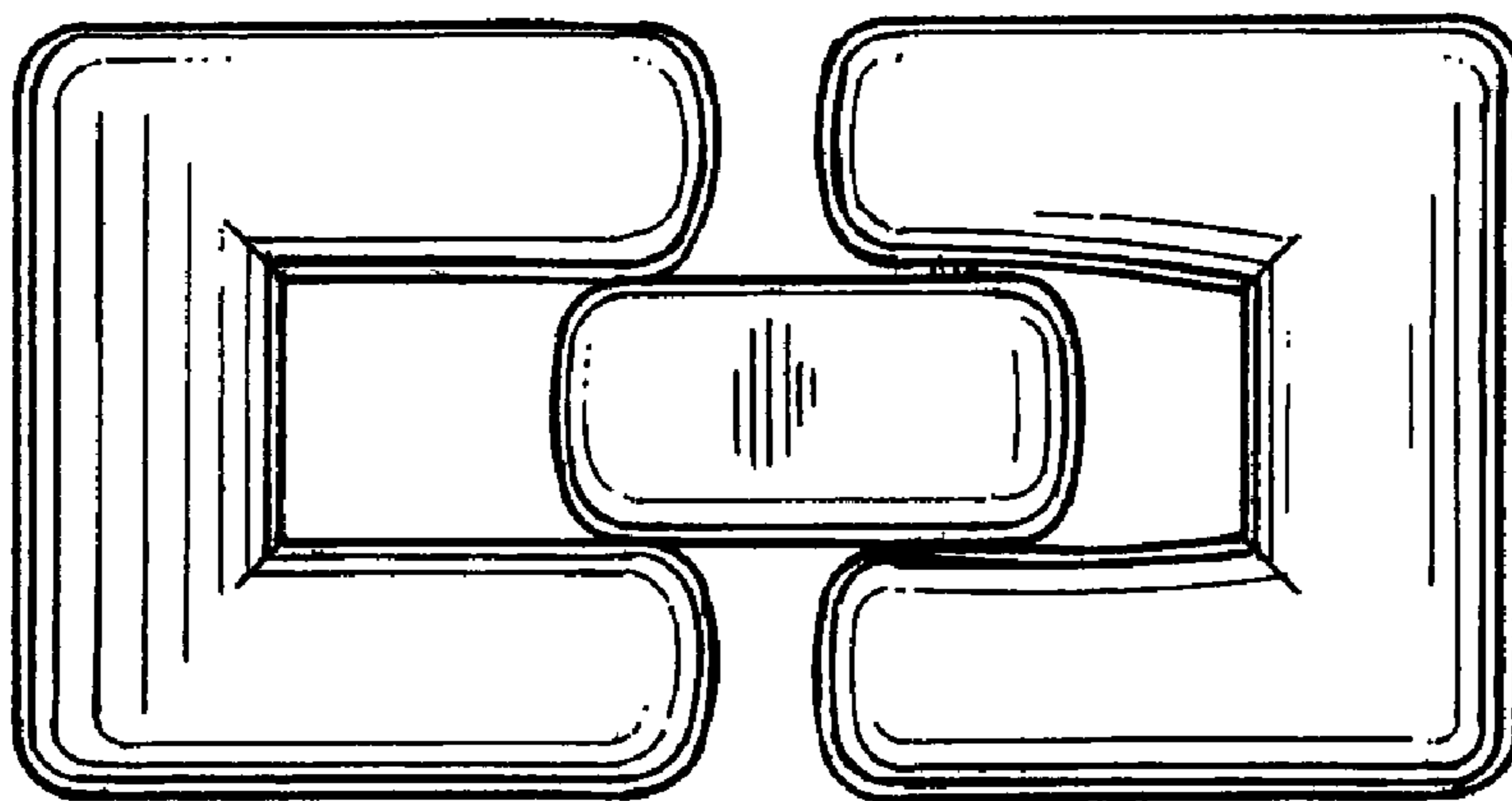
**1 Claim, 2 Drawing Sheets**

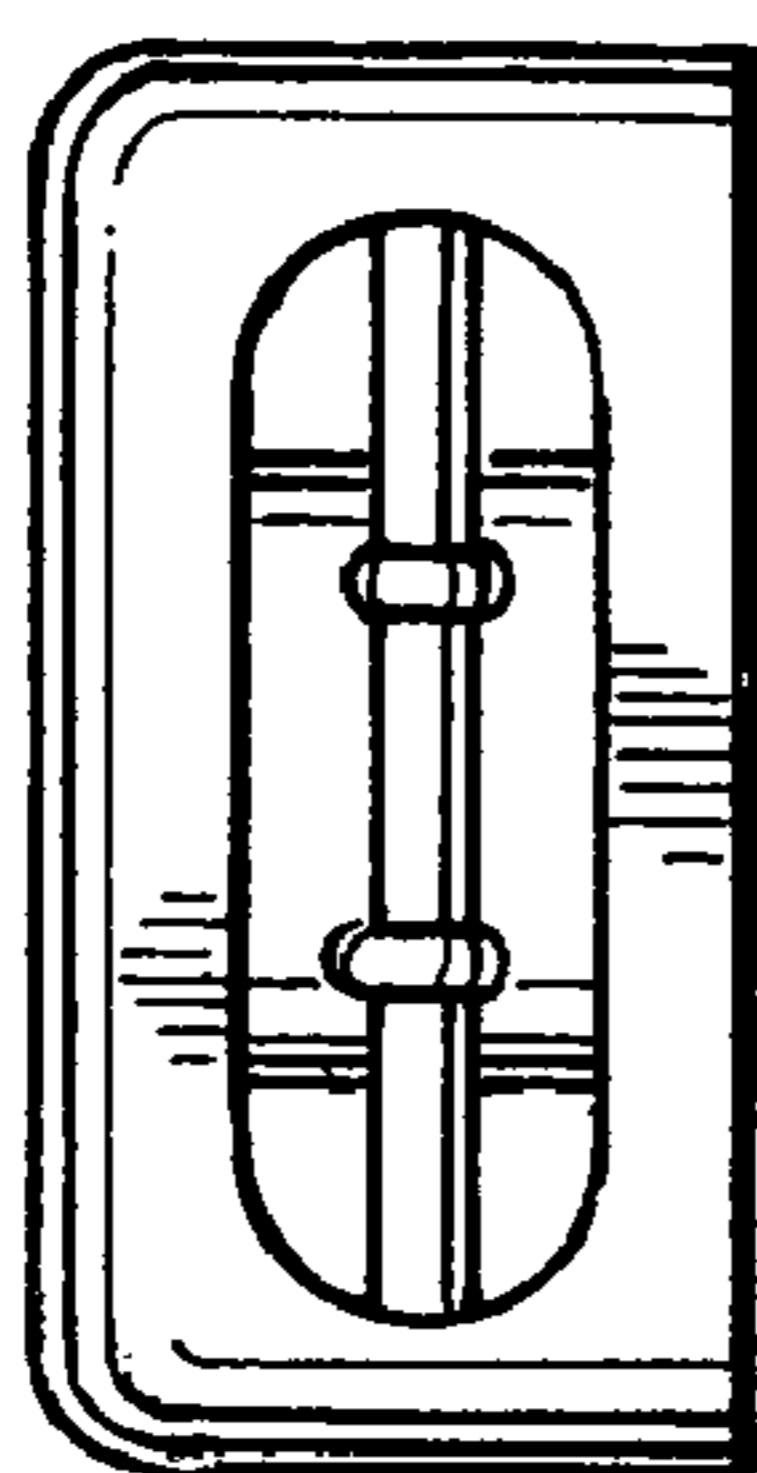


**FIG. 1**



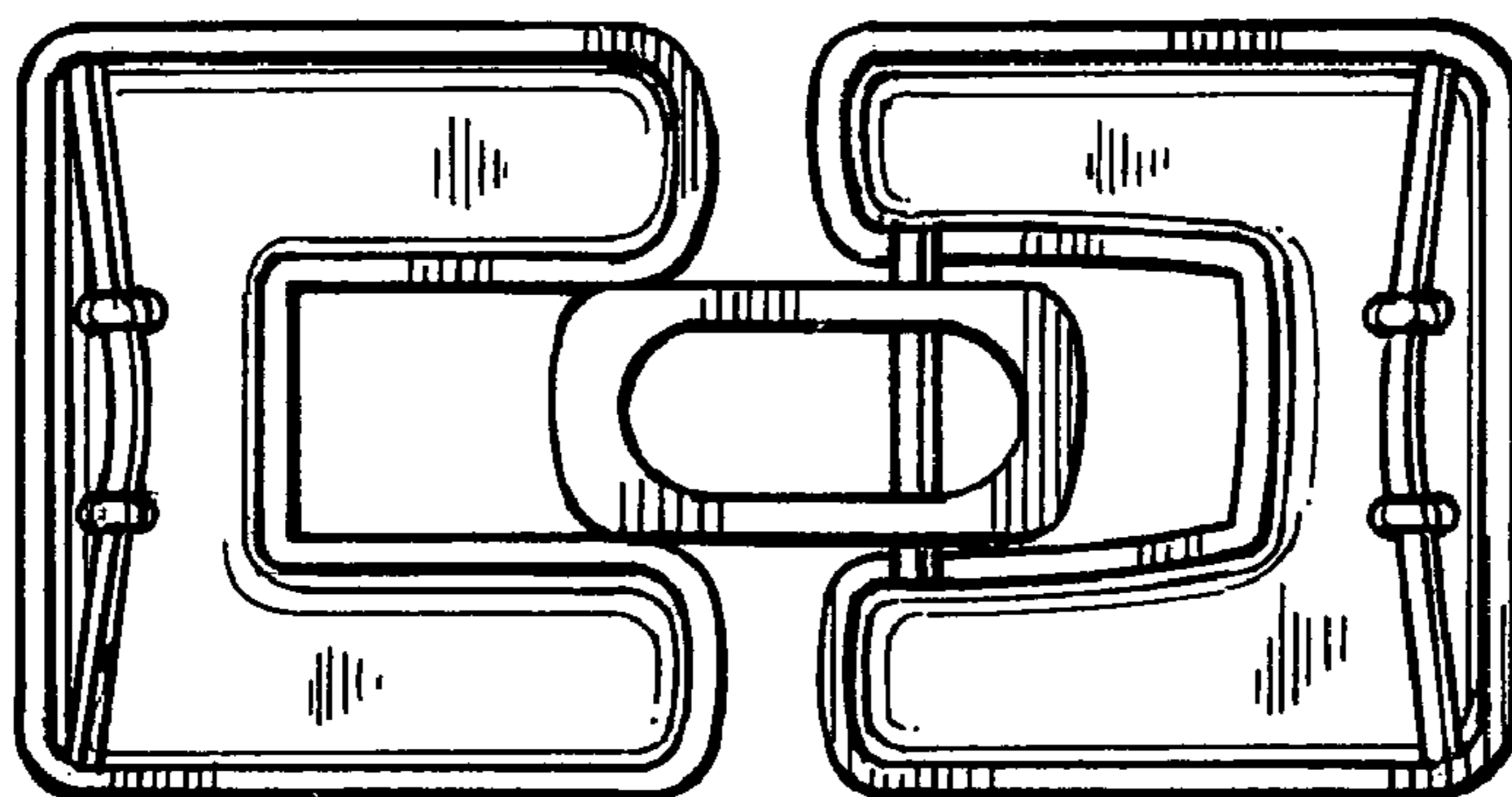
**FIG. 2**





**FIG. 3**

**FIG. 4**



**FIG. 5**

