



US00D580807S

(12) **United States Design Patent**
Xi-Ren

(10) **Patent No.:** **US D580,807 S**

(45) **Date of Patent:** **** Nov. 18, 2008**

(54) **GAS GAUGE**

(75) Inventor: **Ying Xi-Ren**, Jinhua (CN)

(73) Assignee: **Sycamore SCS, LLC**, Louisville, KY
(US)

(**) Term: **14 Years**

(21) Appl. No.: **29/296,642**

(22) Filed: **Oct. 25, 2007**

(51) **LOC (8) Cl.** **10-04**

(52) **U.S. Cl.** **D10/101**

(58) **Field of Classification Search** D10/101;
73/308, 317, 431, 313; 280/5 A; 338/33;
D12/155

See application file for complete search history.

(56) **References Cited**

U.S. PATENT DOCUMENTS

- 3,589,191 A * 6/1971 Kelch, Jr. 73/327
- 4,595,301 A * 6/1986 Taylor 374/207
- 4,724,706 A 2/1988 Stiever
- 4,807,472 A * 2/1989 Brown et al. 73/313
- D313,949 S 1/1991 Fekete
- D381,282 S * 7/1997 Davidson et al. D10/101
- D397,306 S 8/1998 Ross, Jr.
- D399,444 S 10/1998 Ross, Jr.
- 6,185,994 B1 * 2/2001 Liang 73/116

- D455,094 S 4/2002 Schneider
- D463,303 S 9/2002 Gerald et al.
- D499,023 S * 11/2004 Amos et al. D10/101
- D532,711 S 11/2006 Churoux

* cited by examiner

Primary Examiner—Antoine D Davis

(74) *Attorney, Agent, or Firm*—Turner, Padgett, Graham, & Laney

(57) **CLAIM**

The ornamental design for a gas gauge, substantially as shown and described.

DESCRIPTION

FIG. 1 is a plan view of a gas gauge;

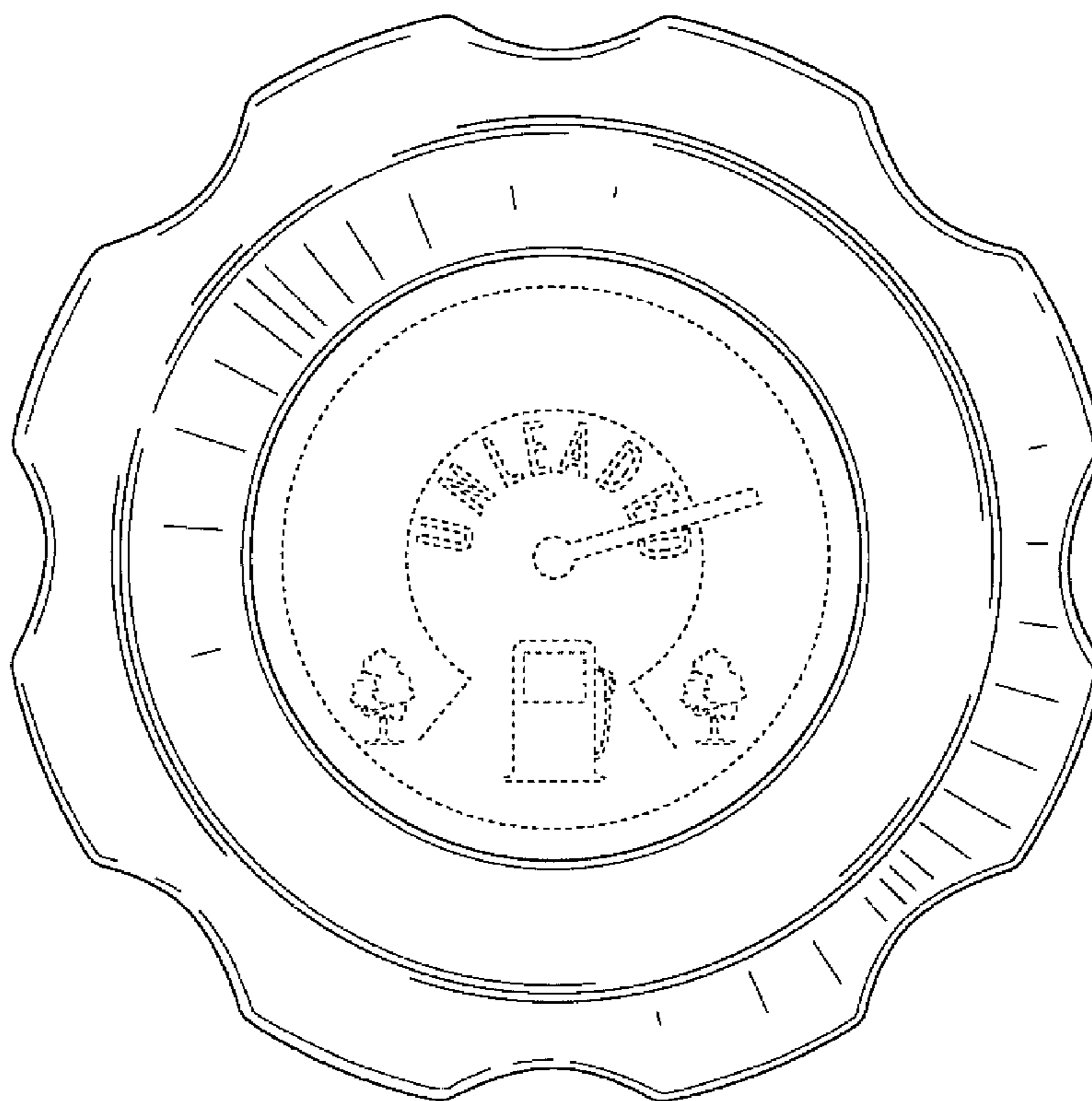
FIG. 2 is a top perspective view of the gas gauge of FIG. 1 shown in an intended environment according to an aspect of the disclosure;

FIG. 3 is an elevational view of the gas gauge of FIG. 1; it being understood that all other sides are substantially mirror images of that shown; and,

FIG. 4 is a bottom perspective view of the gas gauge of FIG. 1.

The broken line portions of the drawings, including a gas tank, are environmental and do not form part of the claimed design.

1 Claim, 4 Drawing Sheets



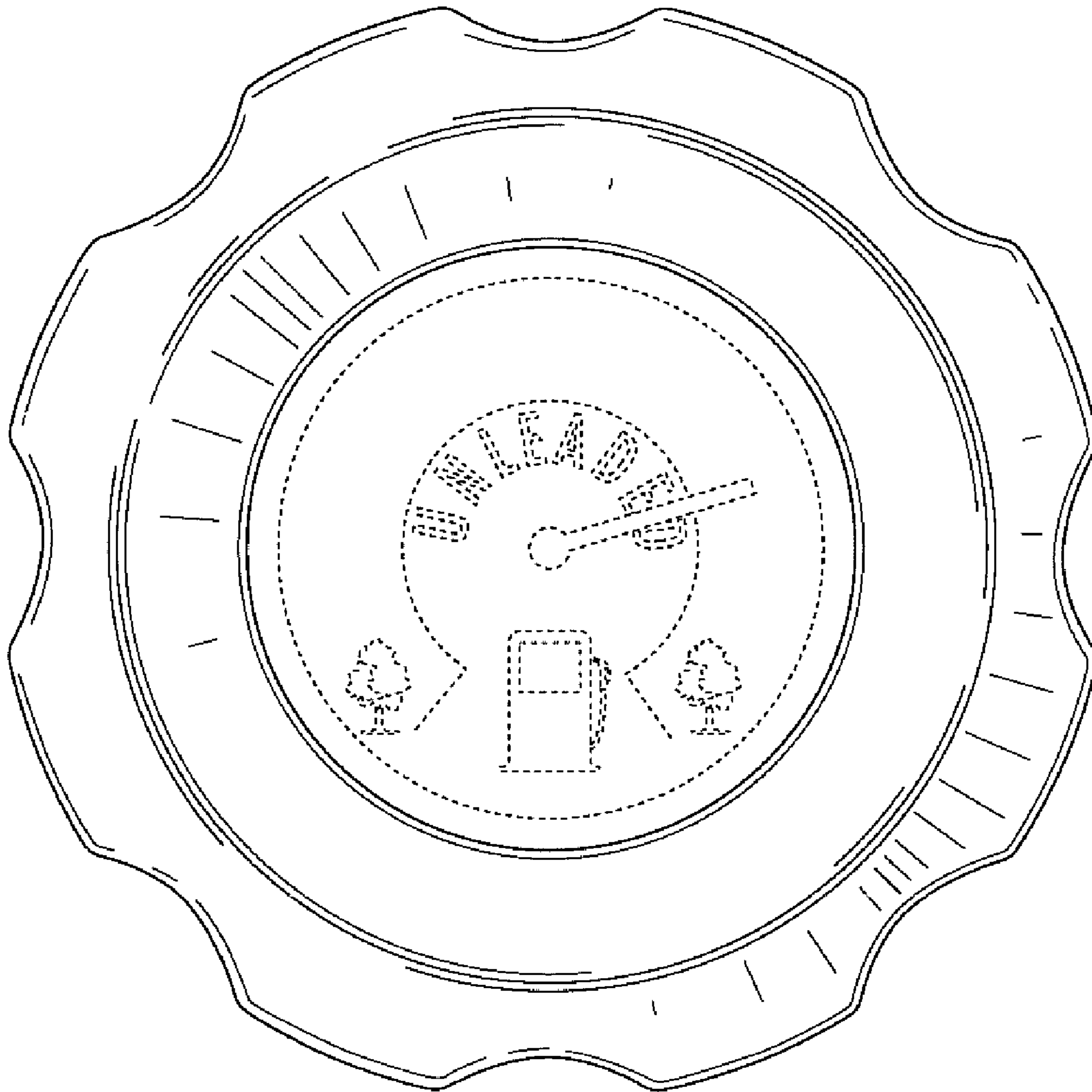


FIG. 1

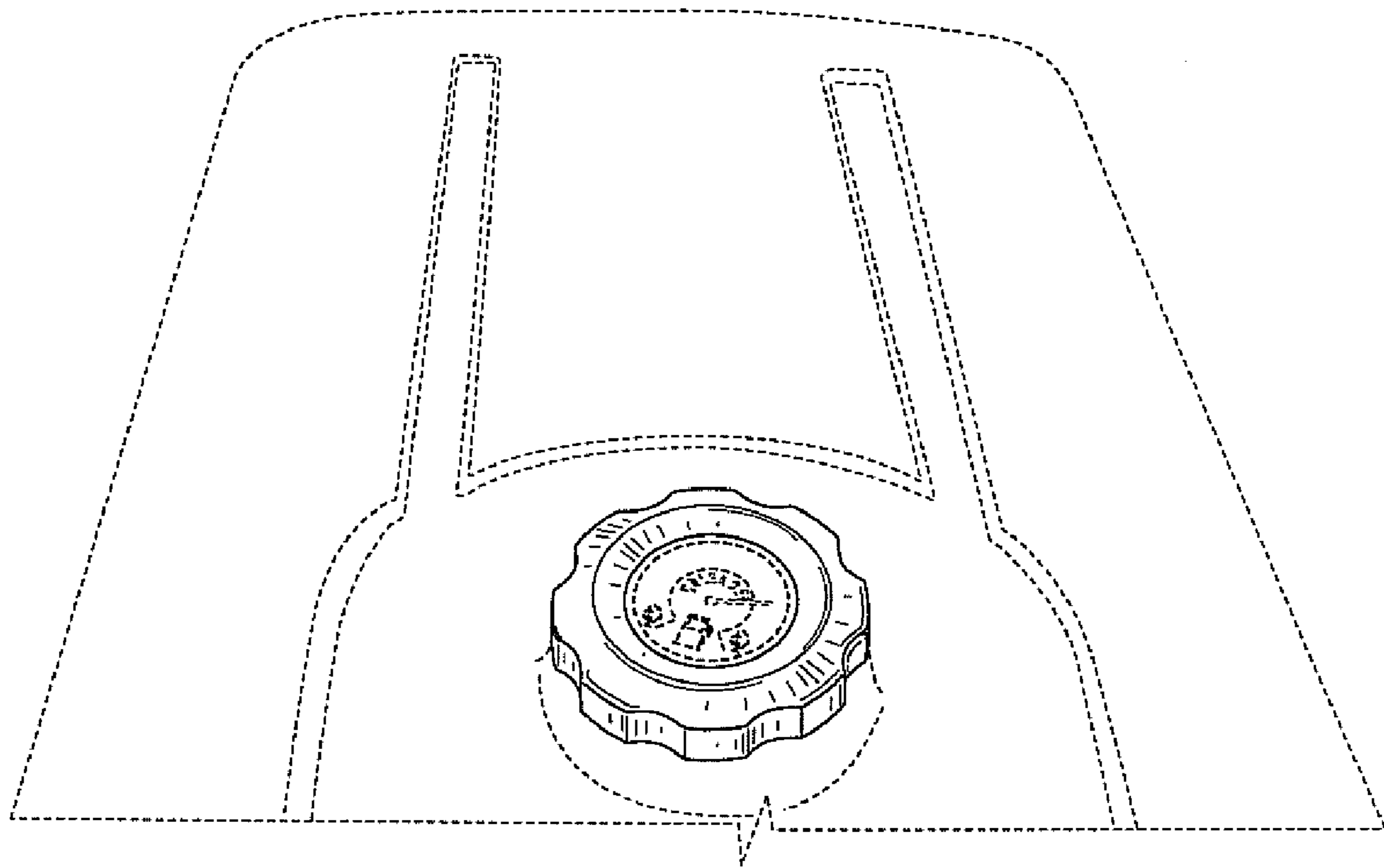


FIG. 2

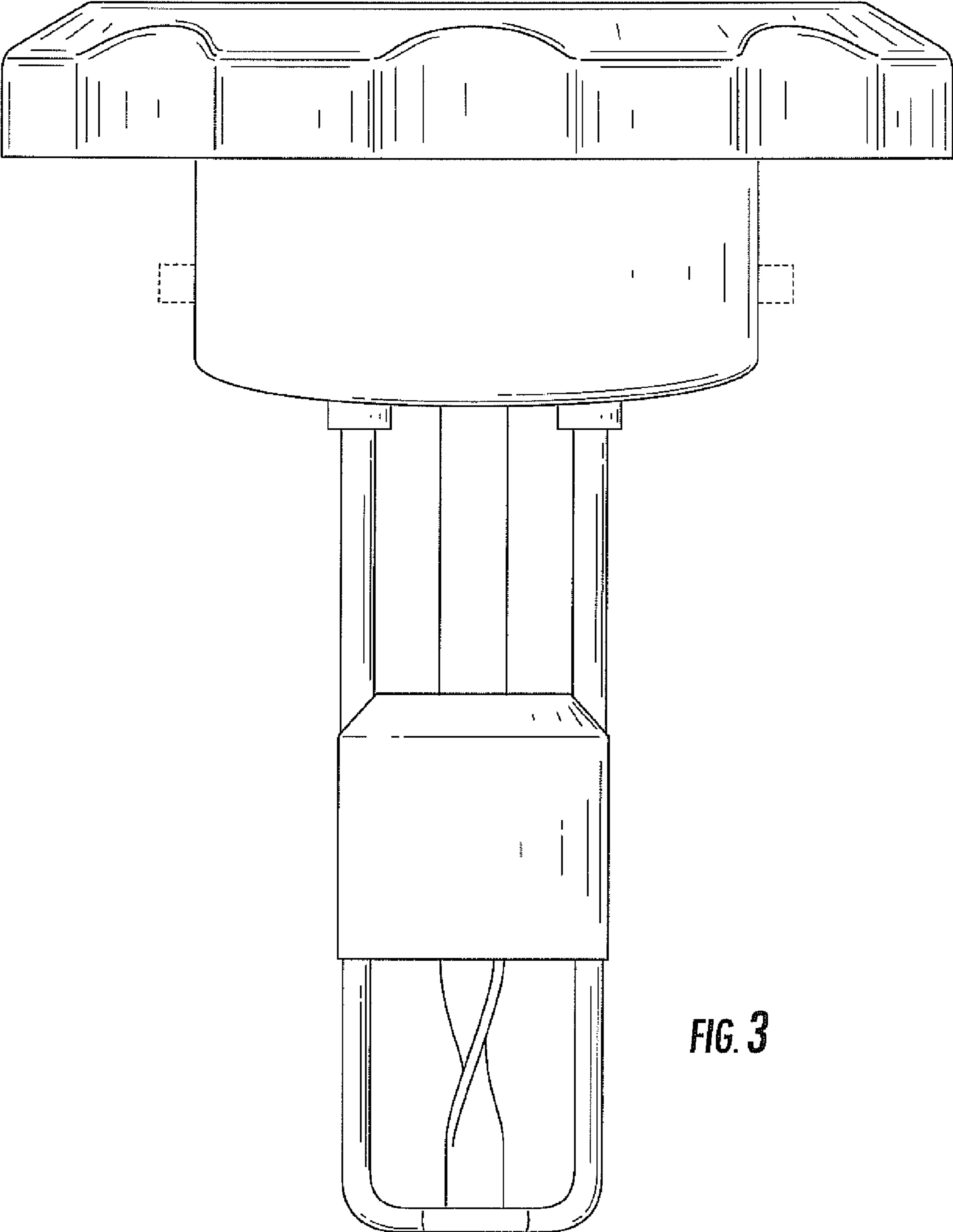


FIG. 3

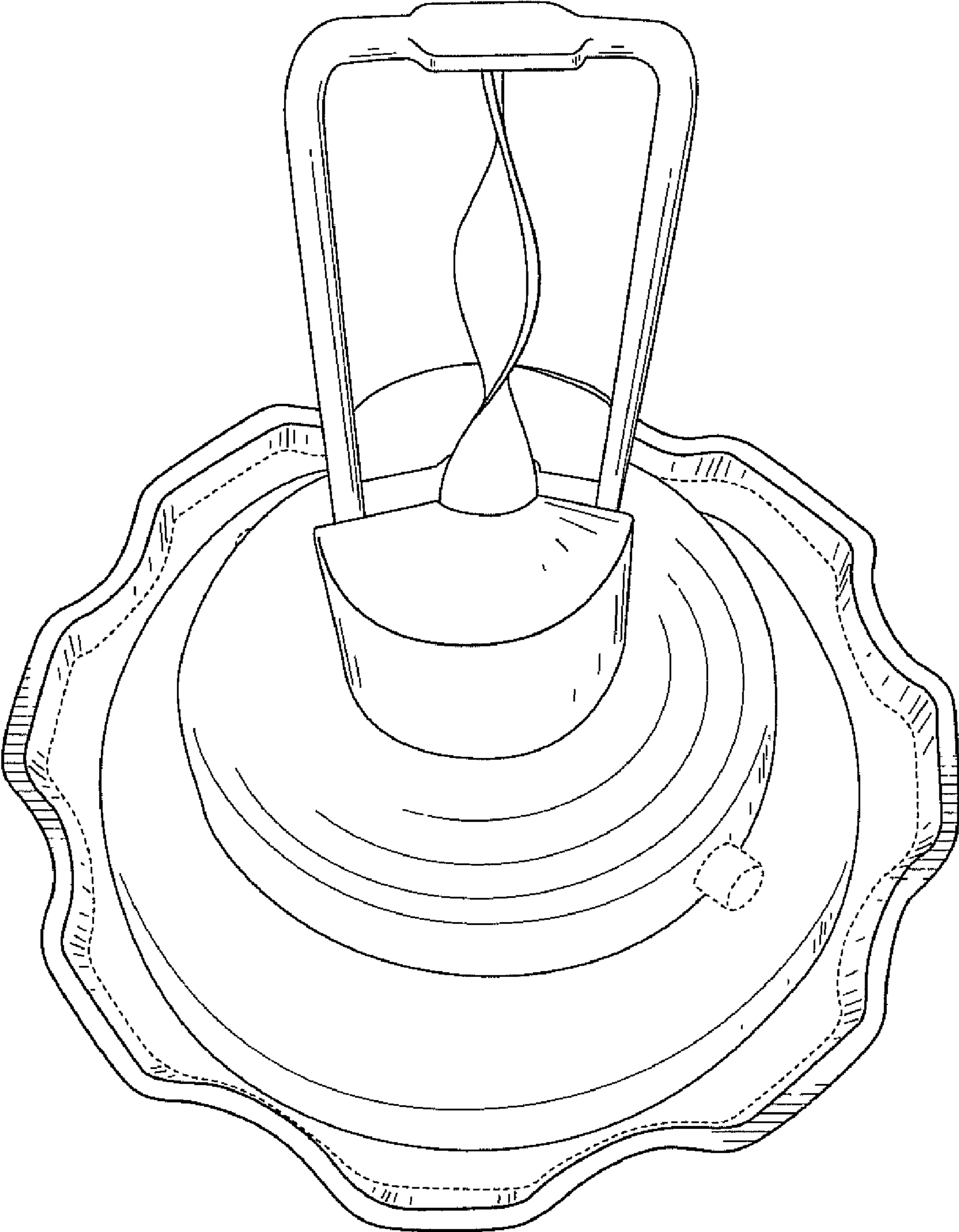


FIG. 4