



US00D580804S

(12) **United States Design Patent**
Gretton

(10) **Patent No.:** **US D580,804 S**

(45) **Date of Patent:** **** Nov. 18, 2008**

(54) **MOUNT FOR AN ELECTRONIC DEVICE**

D457,511 S * 5/2002 Yuen D14/197
D565,980 S * 4/2008 Reeson et al. D10/74

(75) Inventor: **Mark Gretton**, London (GB)

(73) Assignee: **TomTom International BV**,
Amsterdam (NL)

* cited by examiner

(**) Term: **14 Years**

Primary Examiner—Antoine D Davis

(74) *Attorney, Agent, or Firm*—Robert L. Epstein; Epstein
Drangel Bazerman & James, LLP

(21) Appl. No.: **29/297,908**

(22) Filed: **Nov. 21, 2007**

(57) **CLAIM**

The ornamental design for a mount for an electronic device,
as shown and described.

(51) **LOC (8) Cl.** **10-04**

(52) **U.S. Cl.** **D10/74; D8/349**

(58) **Field of Classification Search** D8/349;
D10/74; D14/347; 73/178 R; 248/346.01,
248/671, 904; 340/995; 342/351, 419, 457,
342/357.06–357.13; 343/702; 345/87, 104,
345/133, 156, 168, 173, 901–905; 348/180,
348/184, 315, 739; 364/200, 434, 443, 444,
364/449, 451, 708.1, 709.1; 701/206–209,
701/213–214

See application file for complete search history.

DESCRIPTION

FIG. 1 illustrates a front perspective view thereof.

FIG. 2 illustrates a front view thereof.

FIG. 3 illustrates a back view thereof.

FIG. 4 illustrates a side view thereof.

FIG. 5 illustrates a side view thereof.

FIG. 6 illustrates a top view thereof; and,

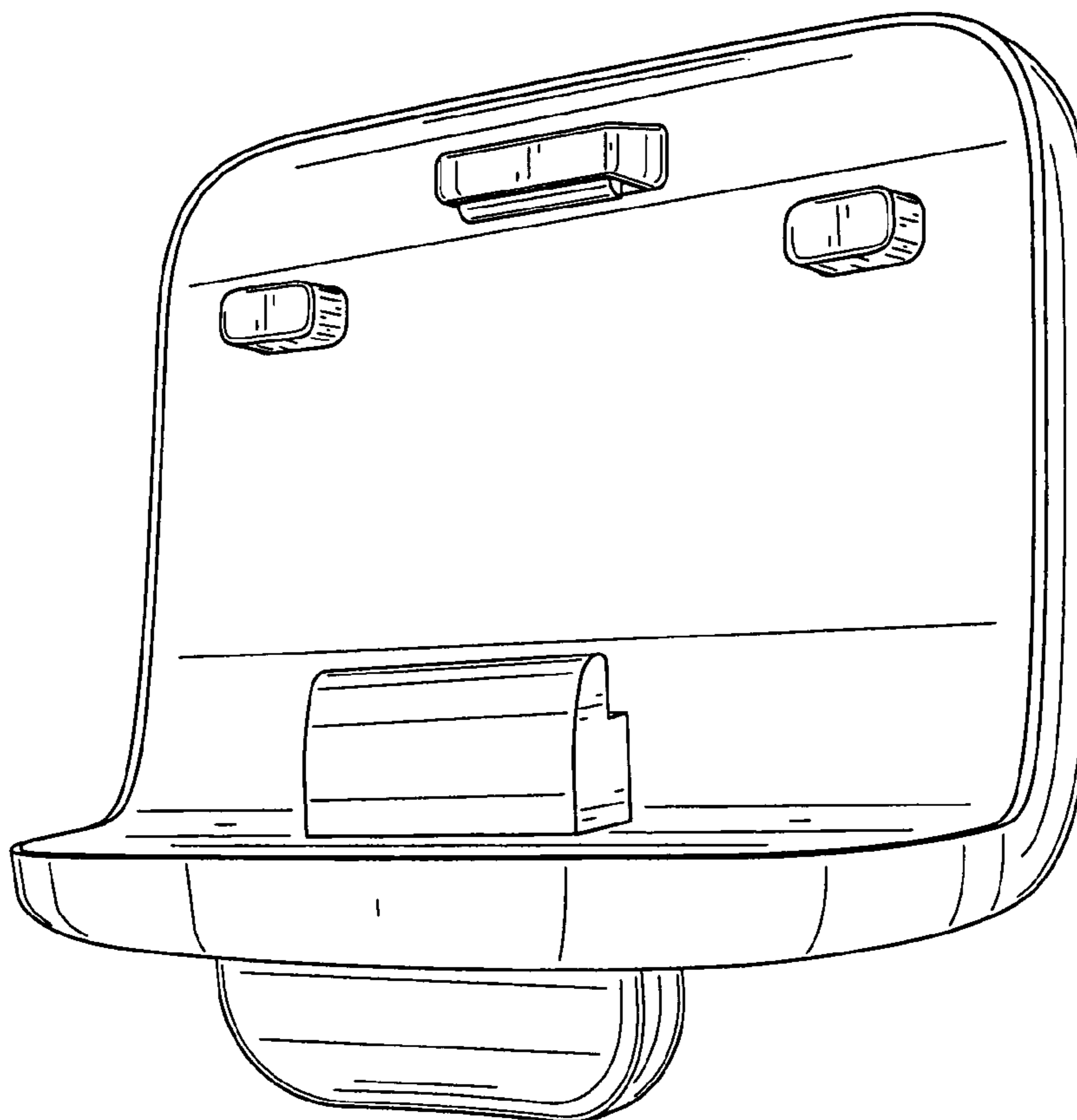
FIG. 7 illustrates a bottom view thereof.

(56) **References Cited**

U.S. PATENT DOCUMENTS

D433,345 S * 11/2000 Okada et al. D10/74

1 Claim, 6 Drawing Sheets



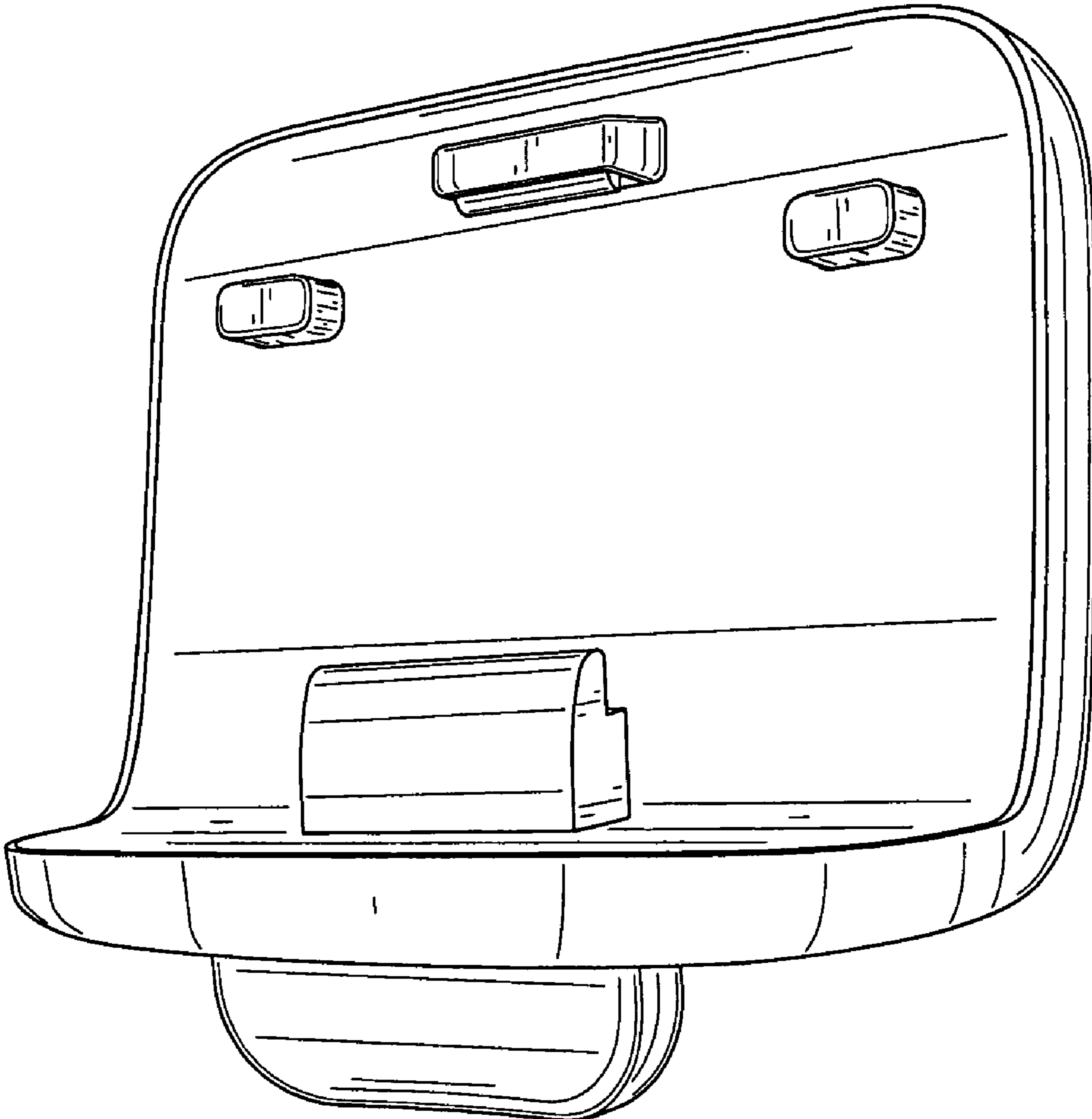


FIG. 1

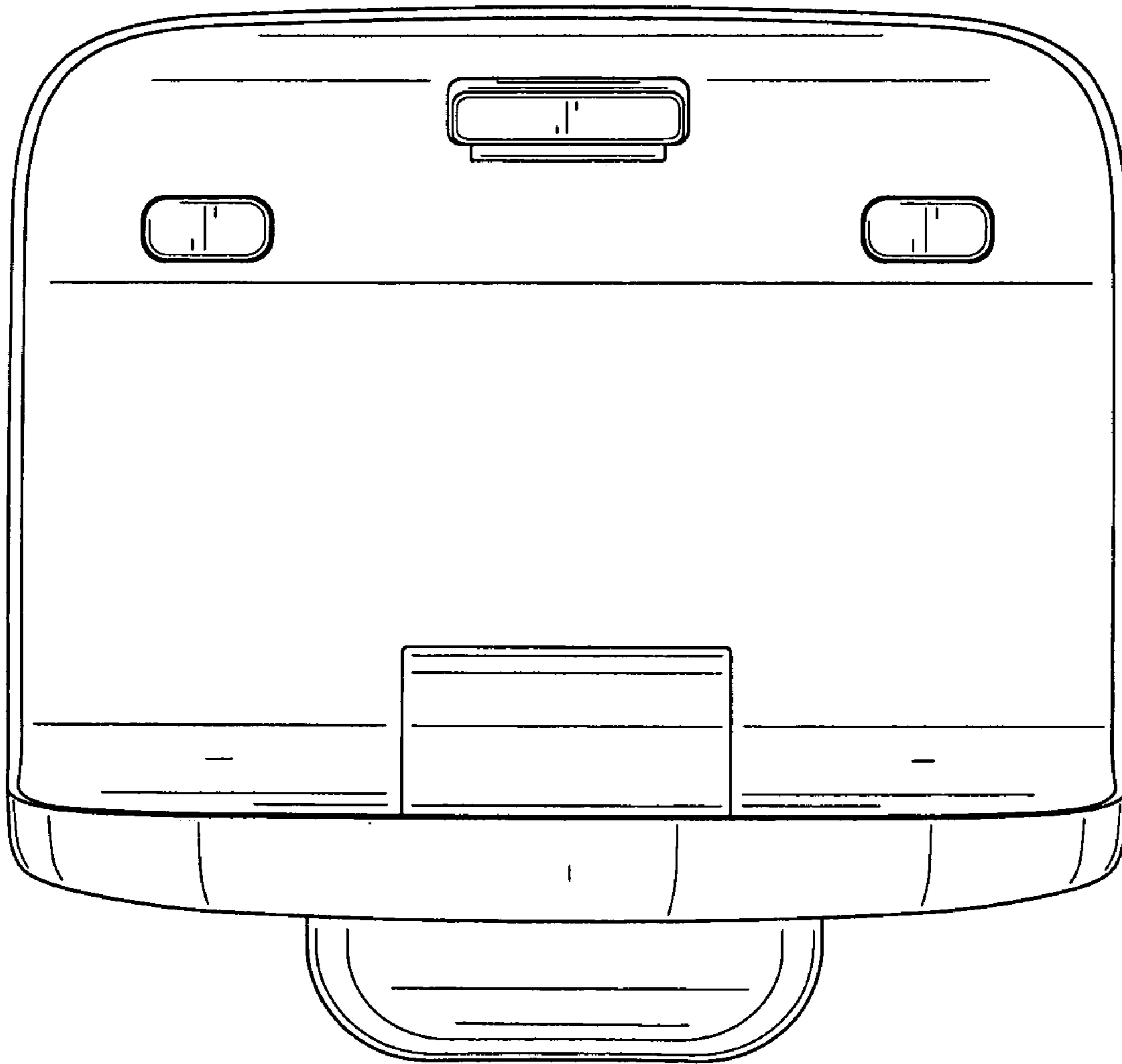


FIG. 2

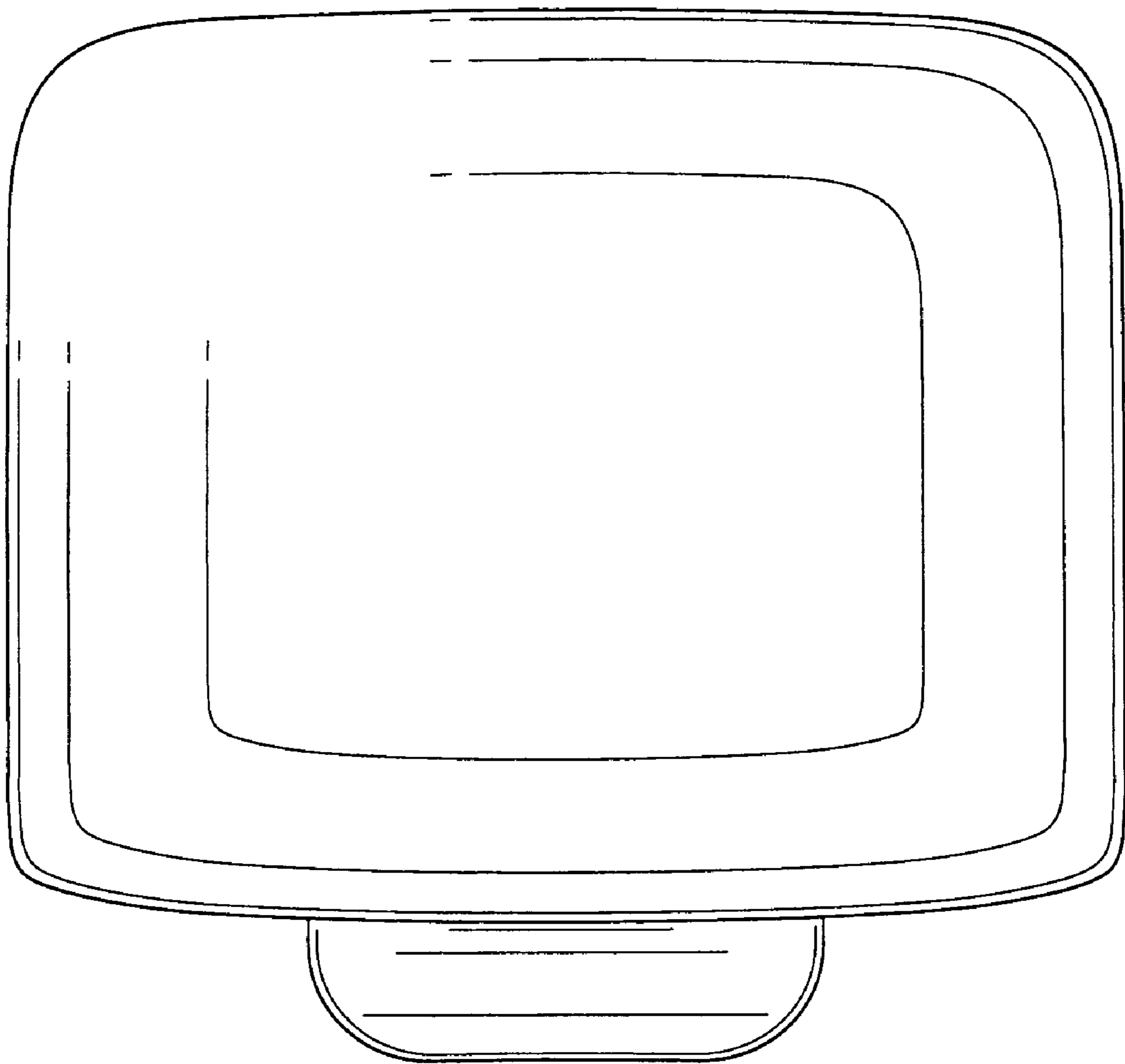


FIG. 3

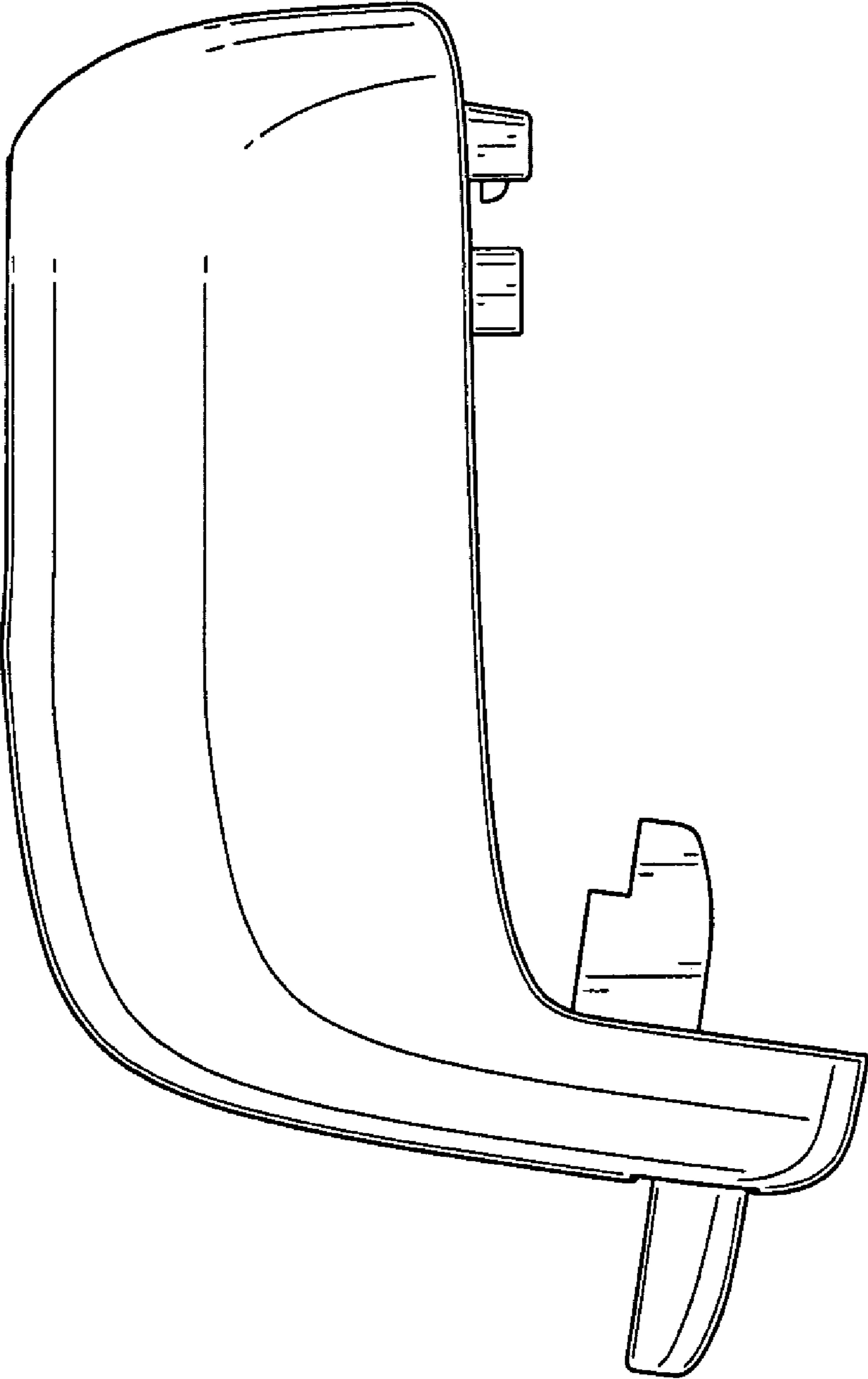


FIG. 4

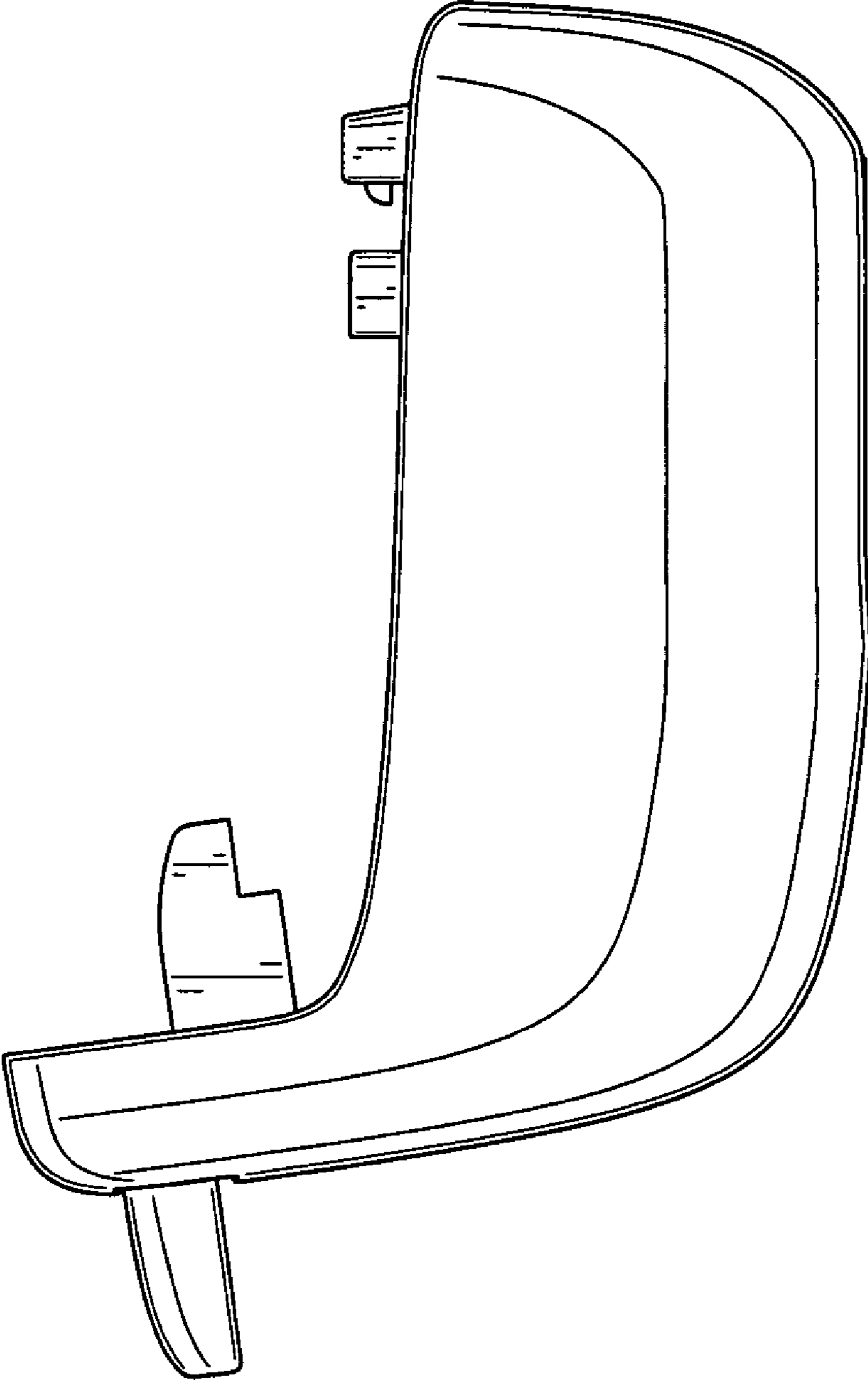


FIG. 5

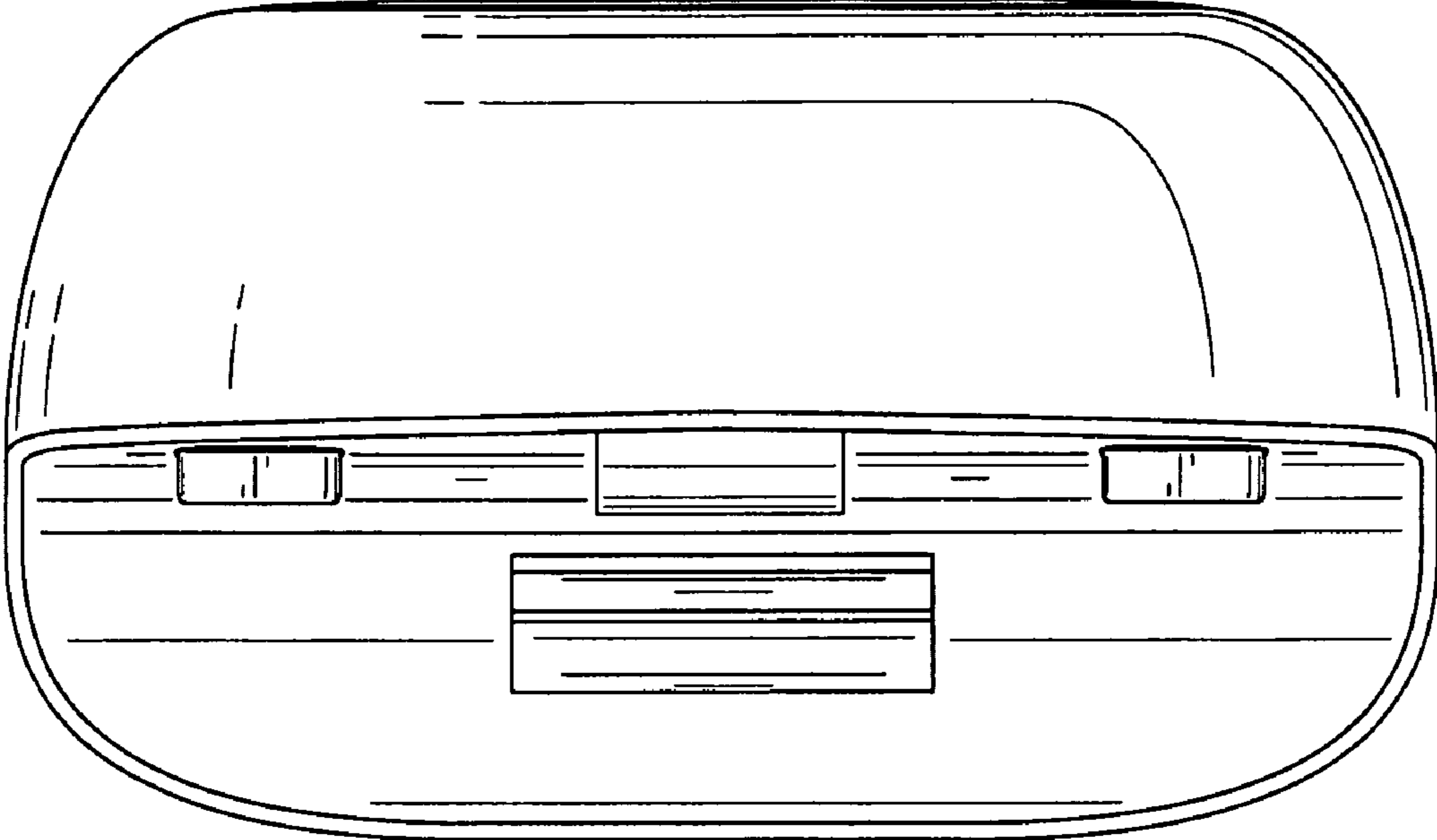


FIG. 6

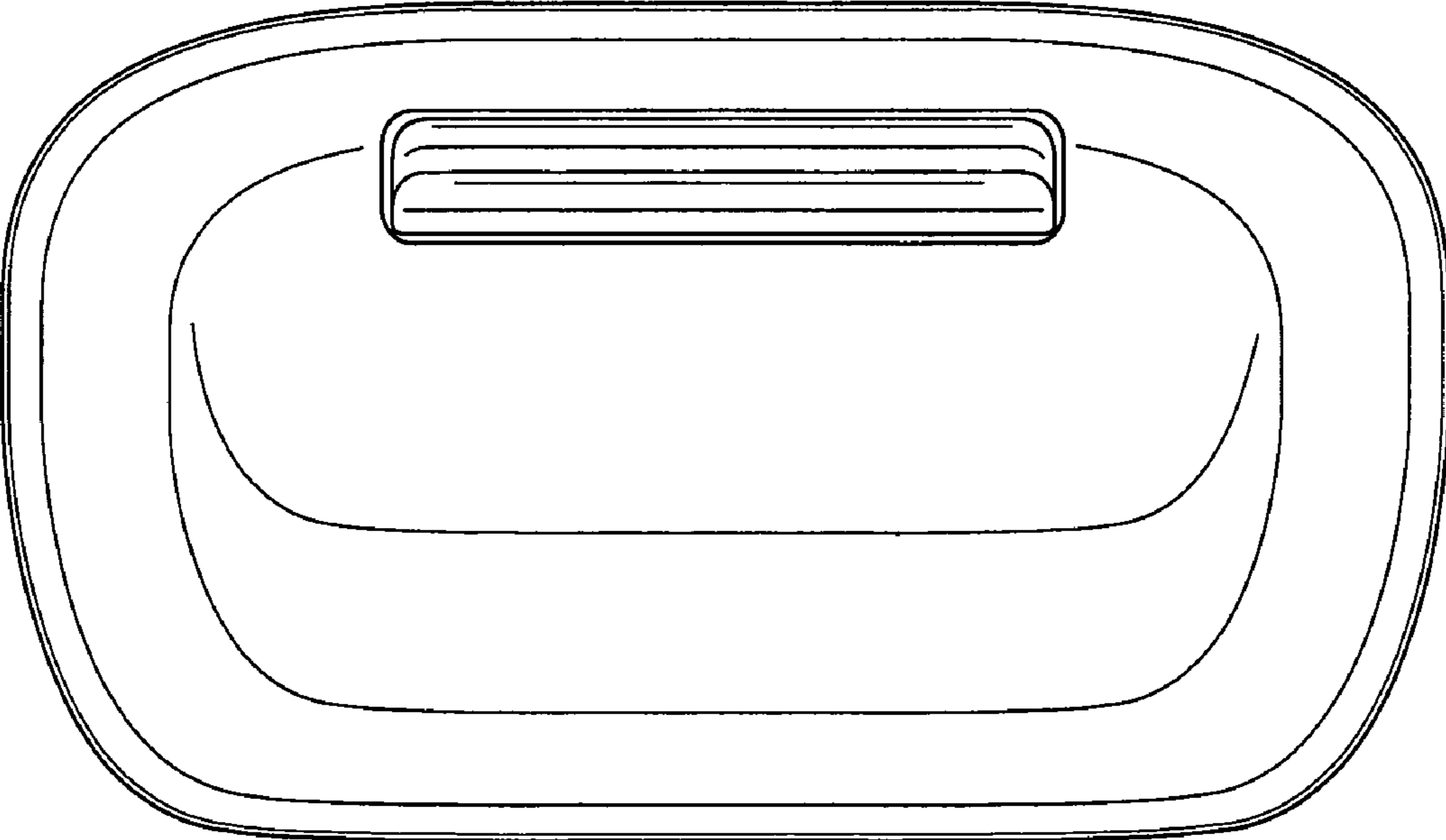


FIG. 7