



US00D580800S

(12) **United States Design Patent**
Hauk

(10) **Patent No.:** **US D580,800 S**
(45) **Date of Patent:** **** Nov. 18, 2008**

(54) **ENCLOSURE FOR SENSORS AND TRANSMITTERS FOR HVAC/R APPLICATIONS**

(75) Inventor: **Nicholas W. Hauk**, Cassville, WI (US)

(73) Assignee: **Building Automation Products, Inc.**, Gays Mills, WI (US)

(**) Term: **14 Years**

(21) Appl. No.: **29/268,395**

(22) Filed: **Nov. 6, 2006**

(51) **LOC (8) Cl.** **10-04**

(52) **U.S. Cl.** **D10/49; D10/50; D10/52; D10/53**

(58) **Field of Classification Search** **D10/49-56; 62/126.6, 93; 236/44 R, 94, DIG. 12; 374/208, 374/100, 170, 173, E1.018, E7.035; 372/512; 700/275-276**

See application file for complete search history.

(56) **References Cited**

U.S. PATENT DOCUMENTS

- D198,008 S * 4/1964 Dunn et al. D10/50
- D375,904 S * 11/1996 Fukuda D10/50
- D501,799 S * 2/2005 Yamamoto et al. D10/52
- D556,607 S * 12/2007 Beland et al. D10/50

OTHER PUBLICATIONS

Mescon Technologies, Inc., "Temperature Sensor-Transmitter Combo Ambient Temperature Measurements Model TSC-10", Data Sheet/Product Brochure, Nov., 1997, Mescon Technologies, Inc., Frankfort, IL, USA, 2 pages.

(Continued)

Primary Examiner—Antoine D Davis

(74) *Attorney, Agent, or Firm*—Joseph W. Byrne

(57) **CLAIM**

The ornamental design for an enclosure for sensors and transmitters for HVAC/R applications, as shown and described.

DESCRIPTION

FIG. 1 is a top, front and right side perspective view of an enclosure for sensors and transmitters for HVAC/R applications in accordance with my new design;

FIG. 2 is a top, front and left side perspective view of the enclosure shown in FIG. 1;

FIG. 3 is a front elevation view of the enclosure shown in FIG. 1;

FIG. 4 is a right side elevation view of the enclosure shown in FIG. 1;

FIG. 5 is a left side elevation view of the enclosure shown in FIG. 1;

FIG. 6 is a top plan view of the enclosure shown in FIG. 1;

FIG. 7 is a bottom plan view of the enclosure shown in FIG. 1;

FIG. 8 is a top, front and right side perspective view of a second enclosure for sensors and transmitters for HVAC/R applications in accordance with my new design;

FIG. 9 is a top, front and left side perspective view of the enclosure shown in FIG. 8;

FIG. 10 is a front elevation view of the enclosure shown in FIG. 8;

FIG. 11 is a right side elevation view of the enclosure shown in FIG. 8;

FIG. 12 is a left side elevation view of the enclosure shown in FIG. 8;

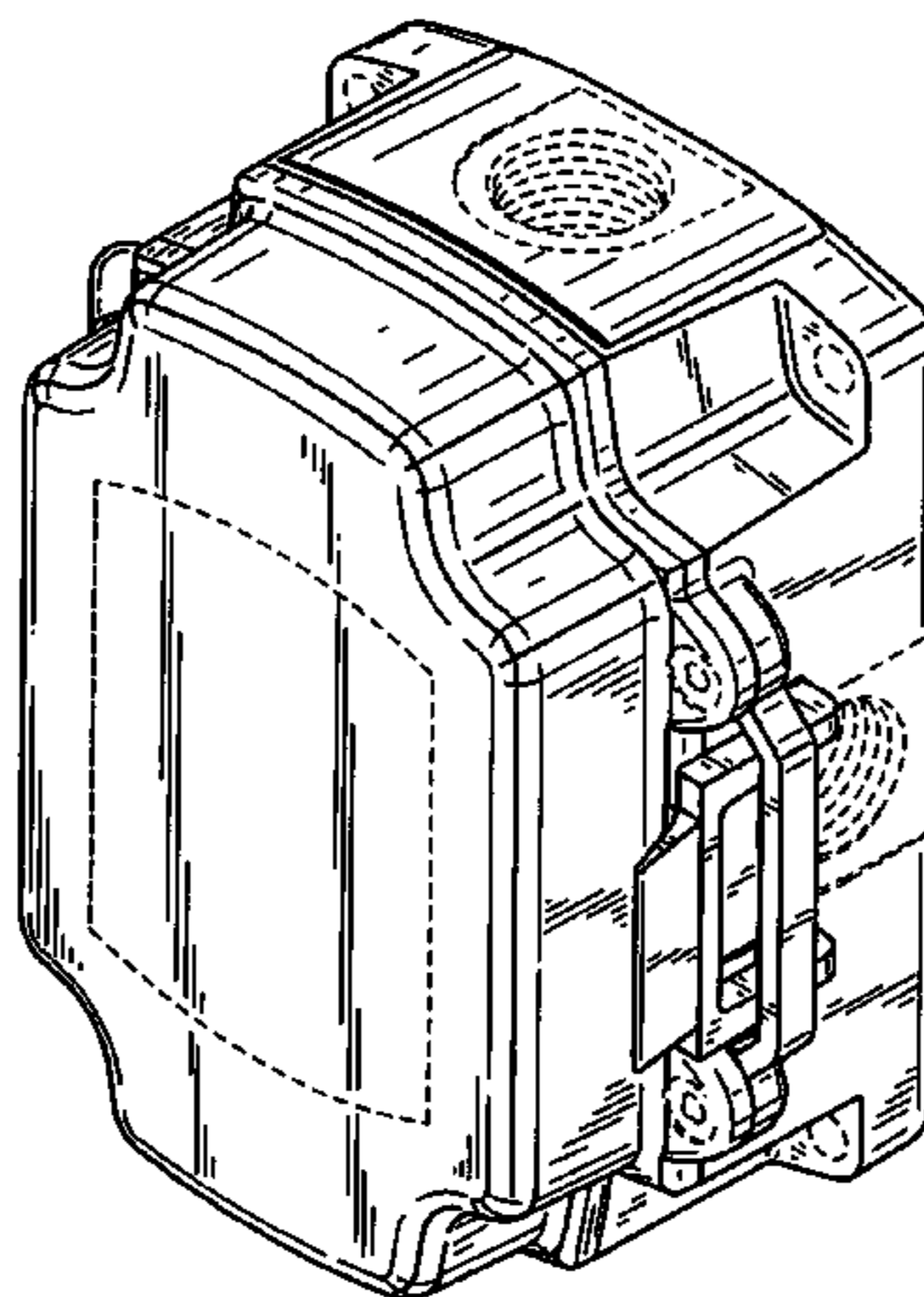
FIG. 13 is a top plan view of the enclosure shown in FIG. 8; and,

FIG. 14 is a bottom plan view of the enclosure shown in FIG. 8.

The rears of the enclosures do not comprise any portion of the invention, and hence are not shown in the drawings.

The broken line showings are for illustrative purposes only and form no part of the claimed design.

1 Claim, 12 Drawing Sheets



OTHER PUBLICATIONS

Building Automation Products, Inc., "Building Automation Products, Inc. Sensors for HVAC/R Temperature - Humidity - Pressure - Air Quality Product Catalog ---2004---", Portion of Catalog (including cover and pages 1-3, A1-A39, B1-B20, C1-C9; and D1-D9), 2004

(note that the year of publication is sufficiently earlier than the effective U.S. filing date and any foreign priority date so that the particular month of publication is not in issue), Building Automation Products, Inc., Gays Mills, WI. USA. 81 pages total.

* cited by examiner

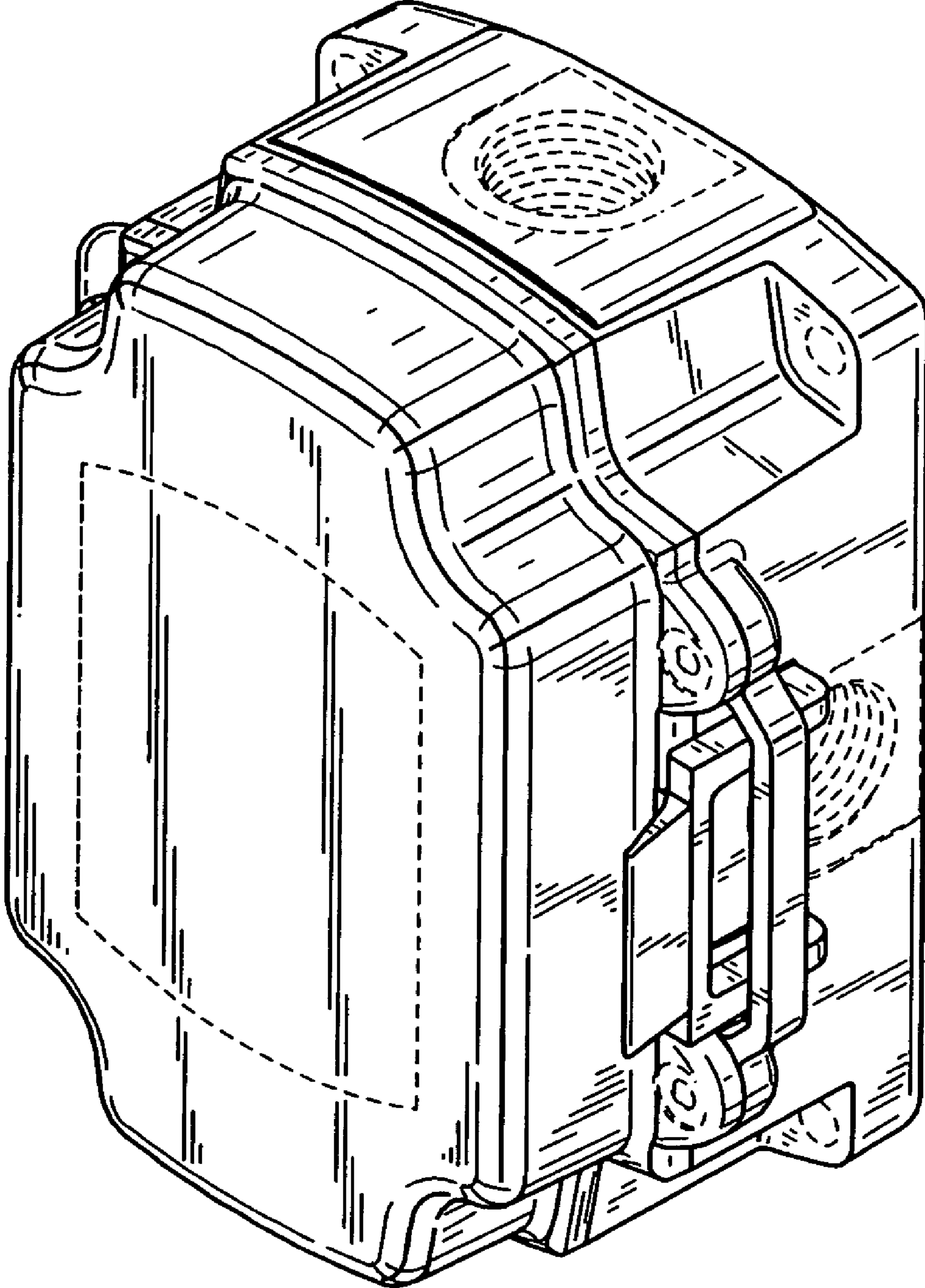


FIG. 1

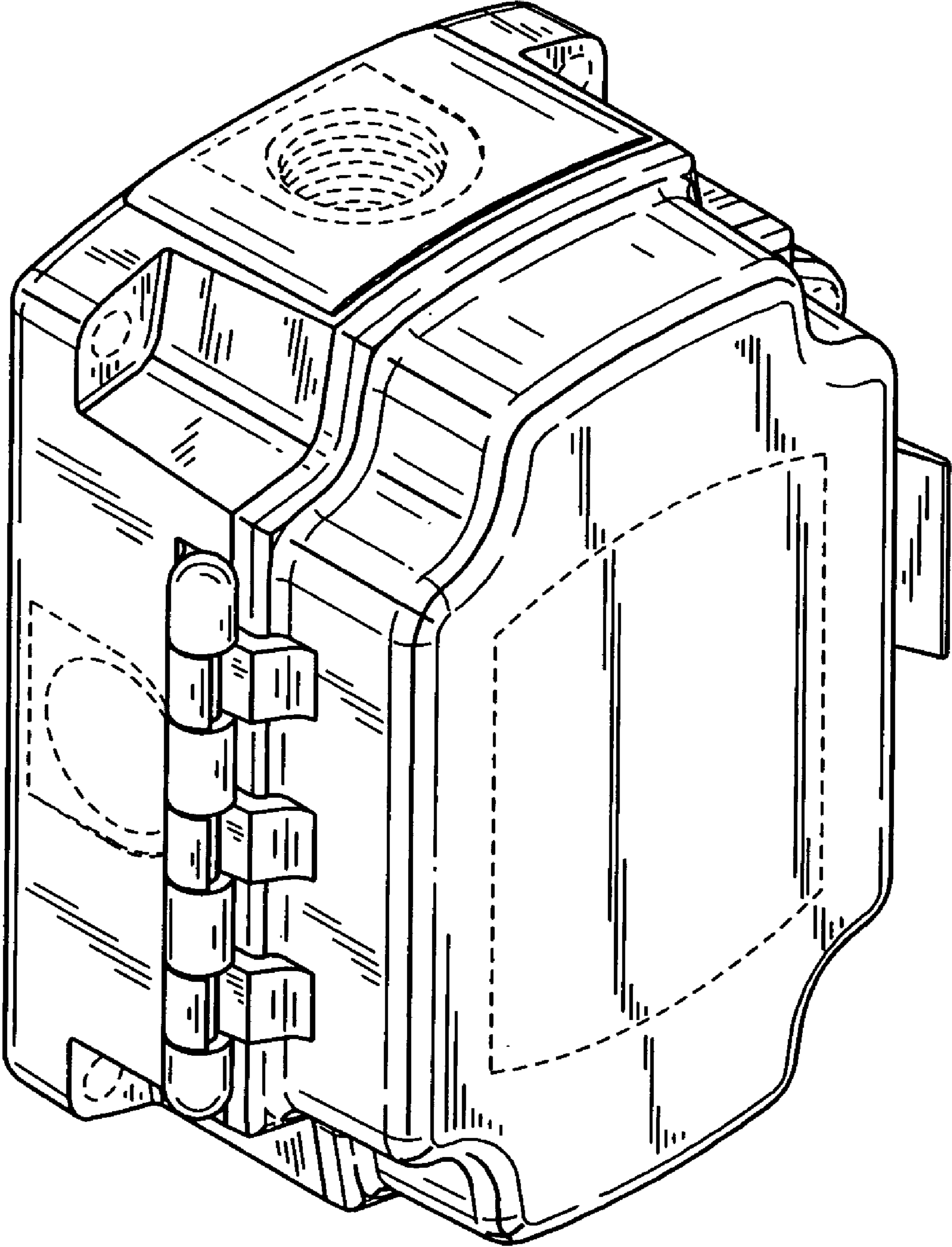


FIG. 2

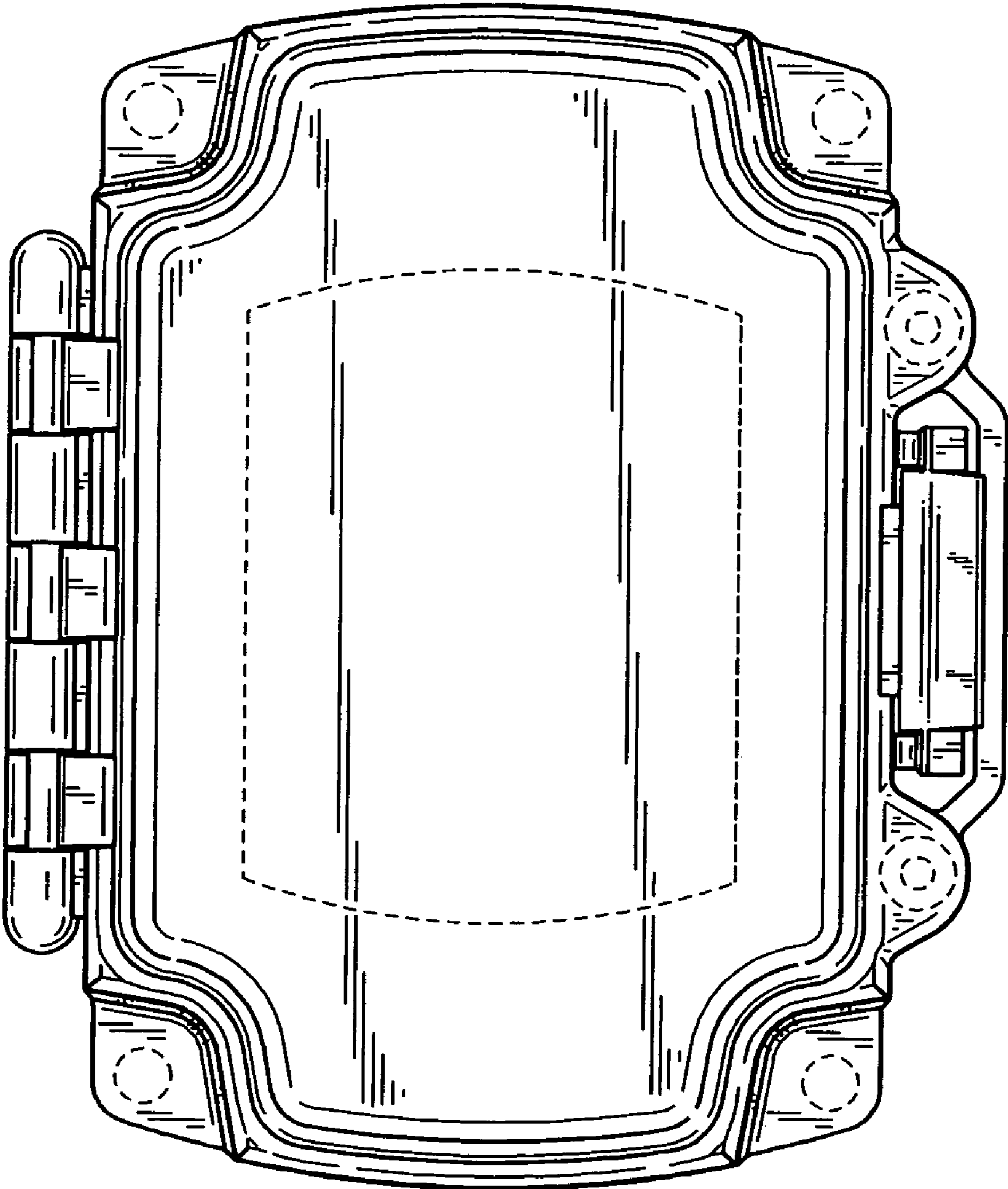


FIG. 3

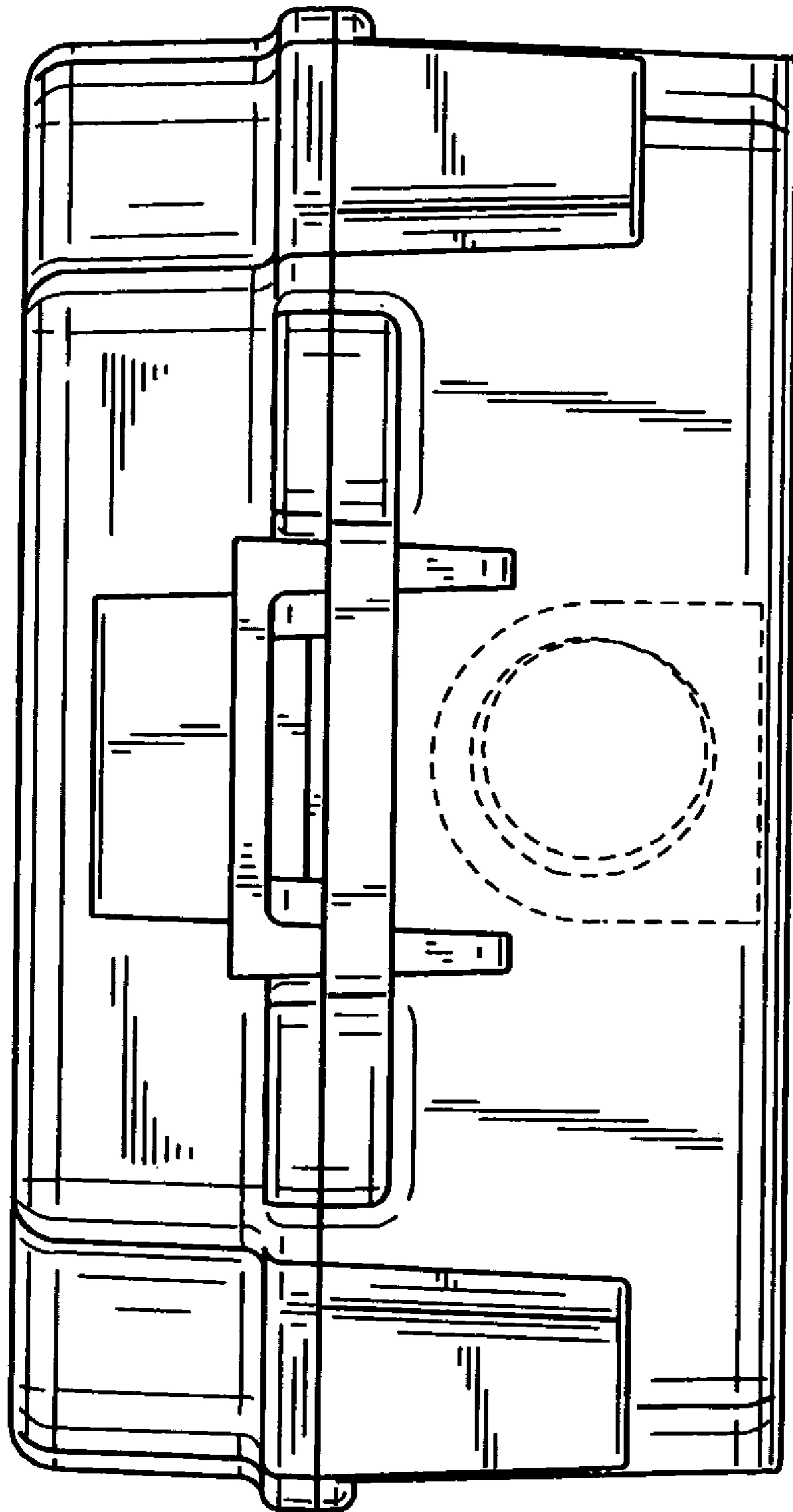


FIG. 4

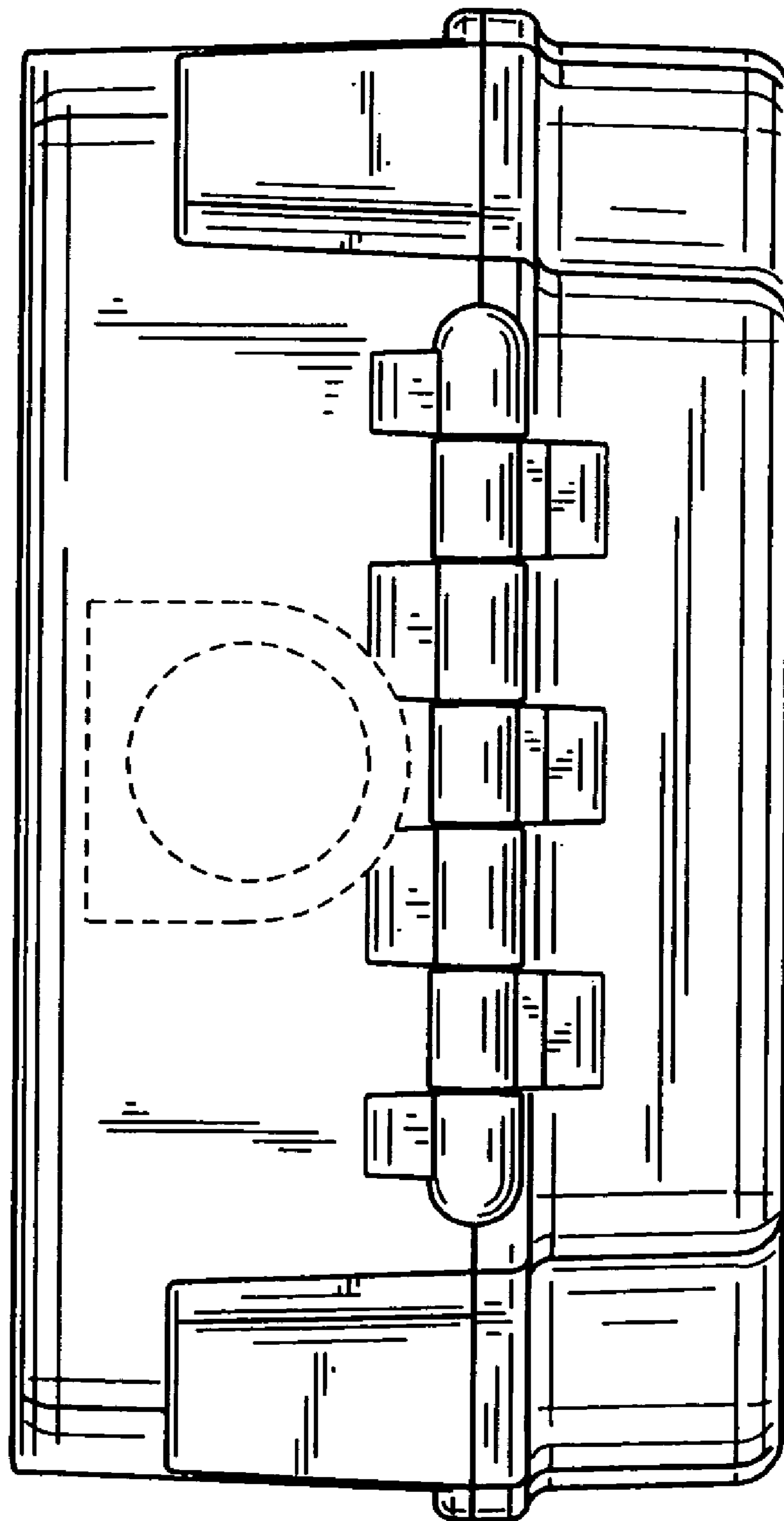


FIG. 5

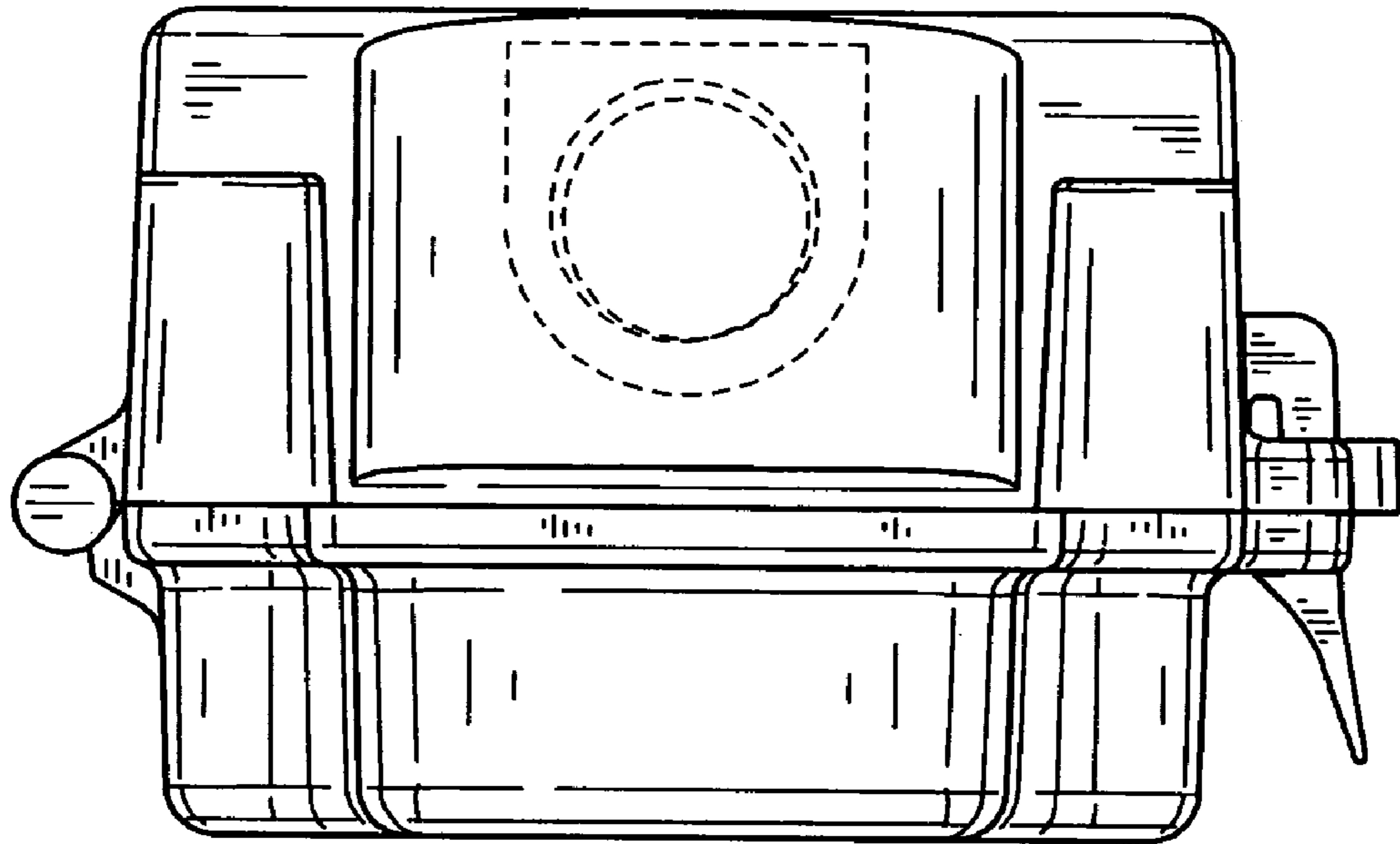


FIG. 6

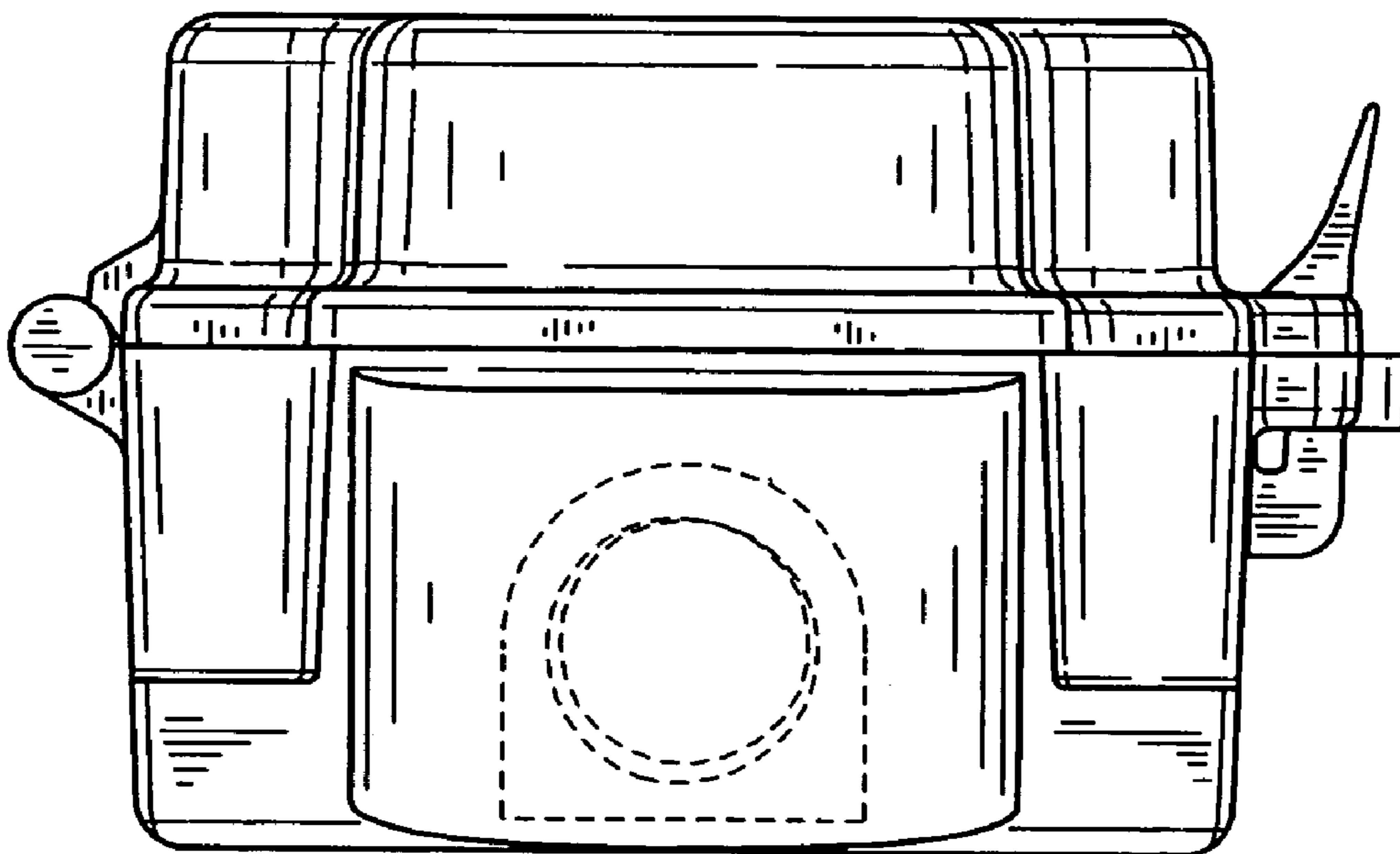


FIG. 7

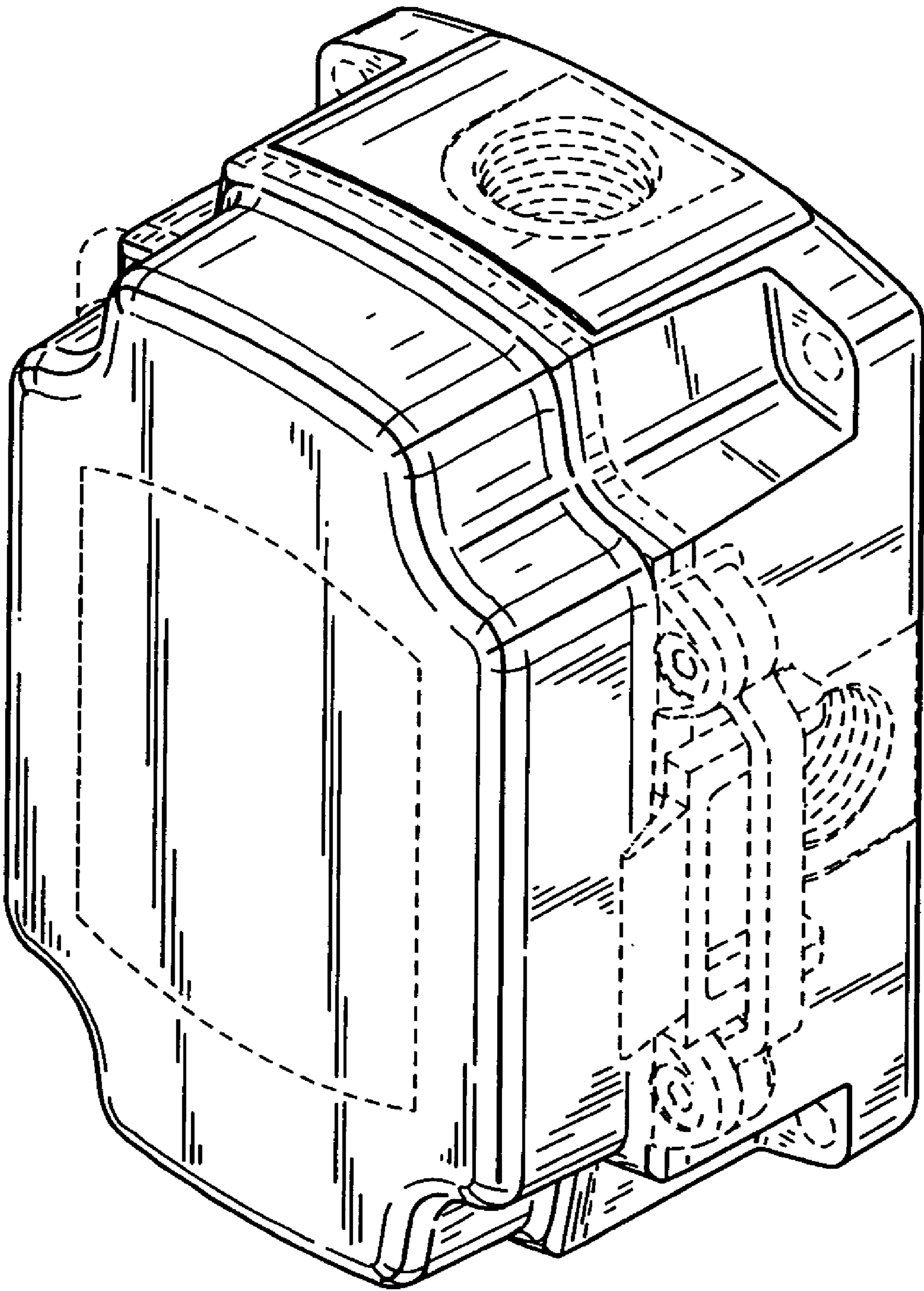


FIG. 8

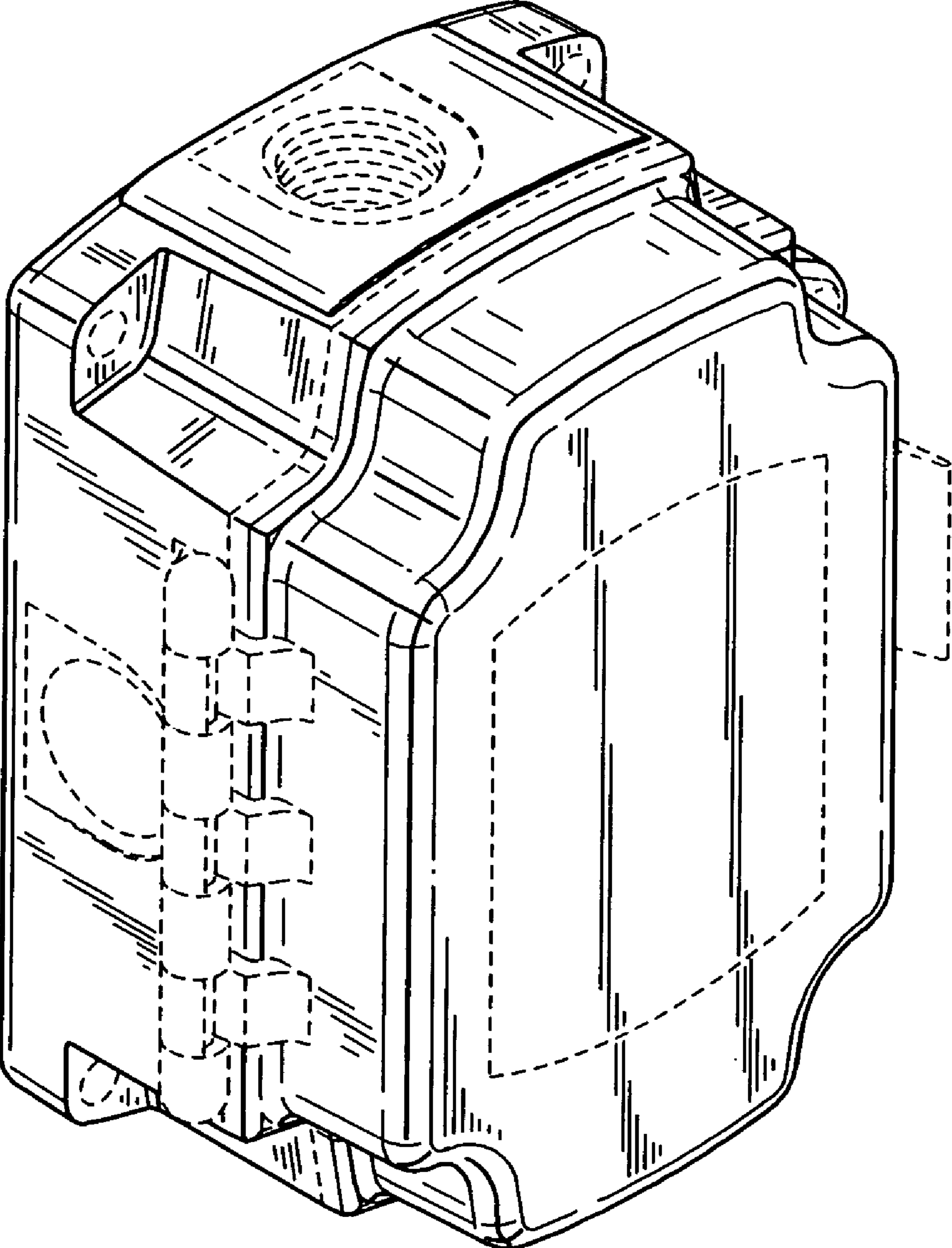


FIG. 9

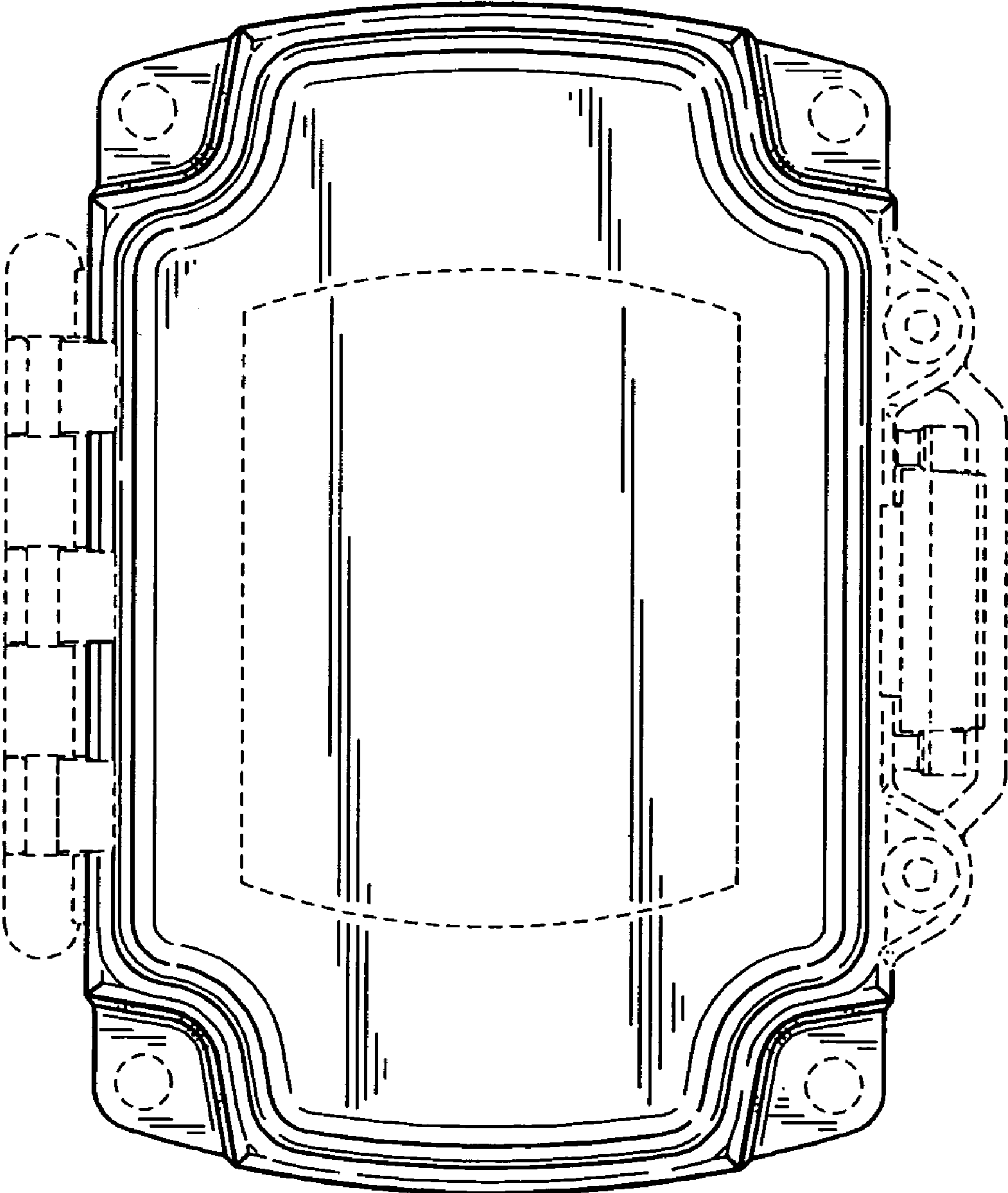


FIG. 10

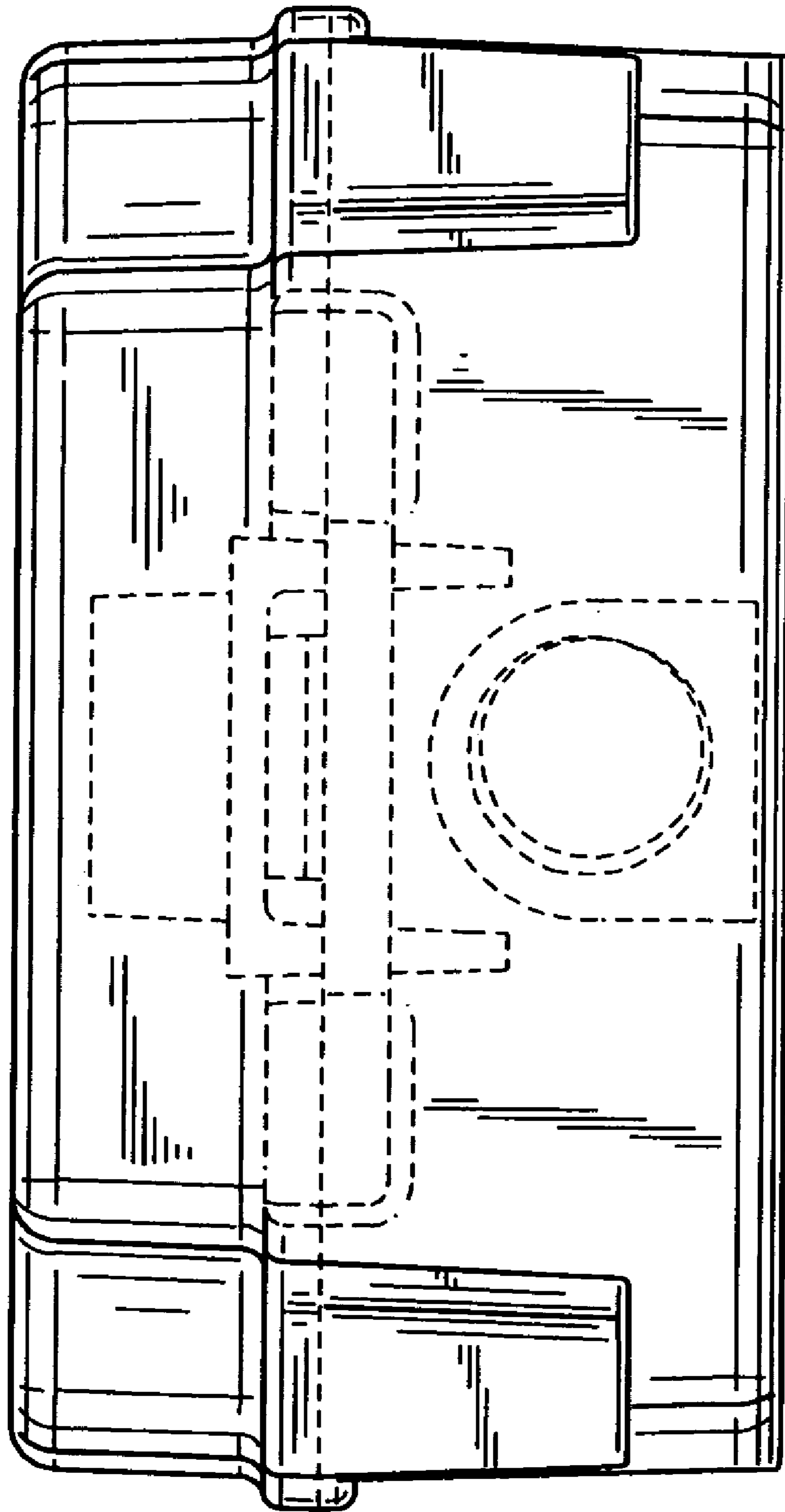


FIG. 11

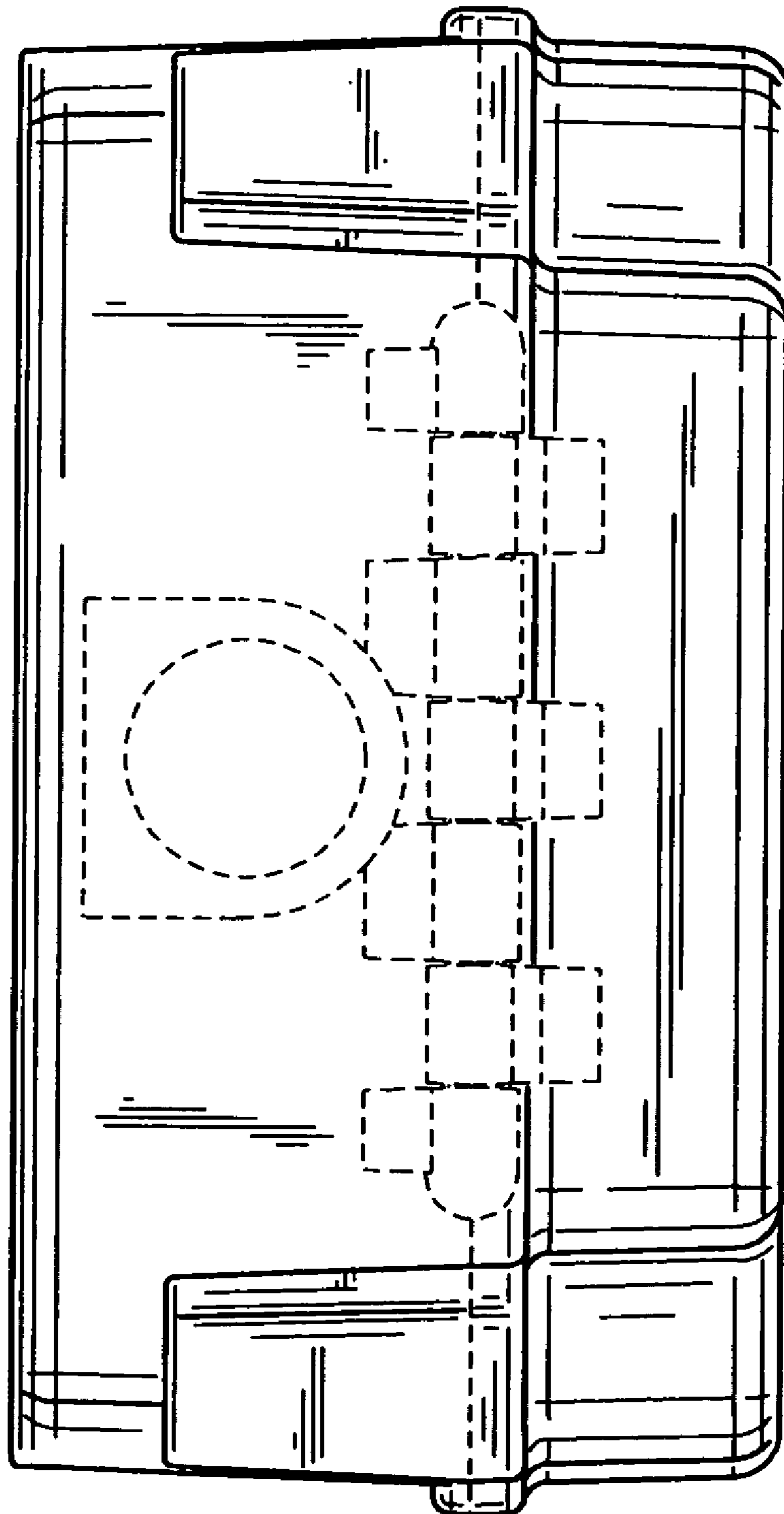


FIG. 12

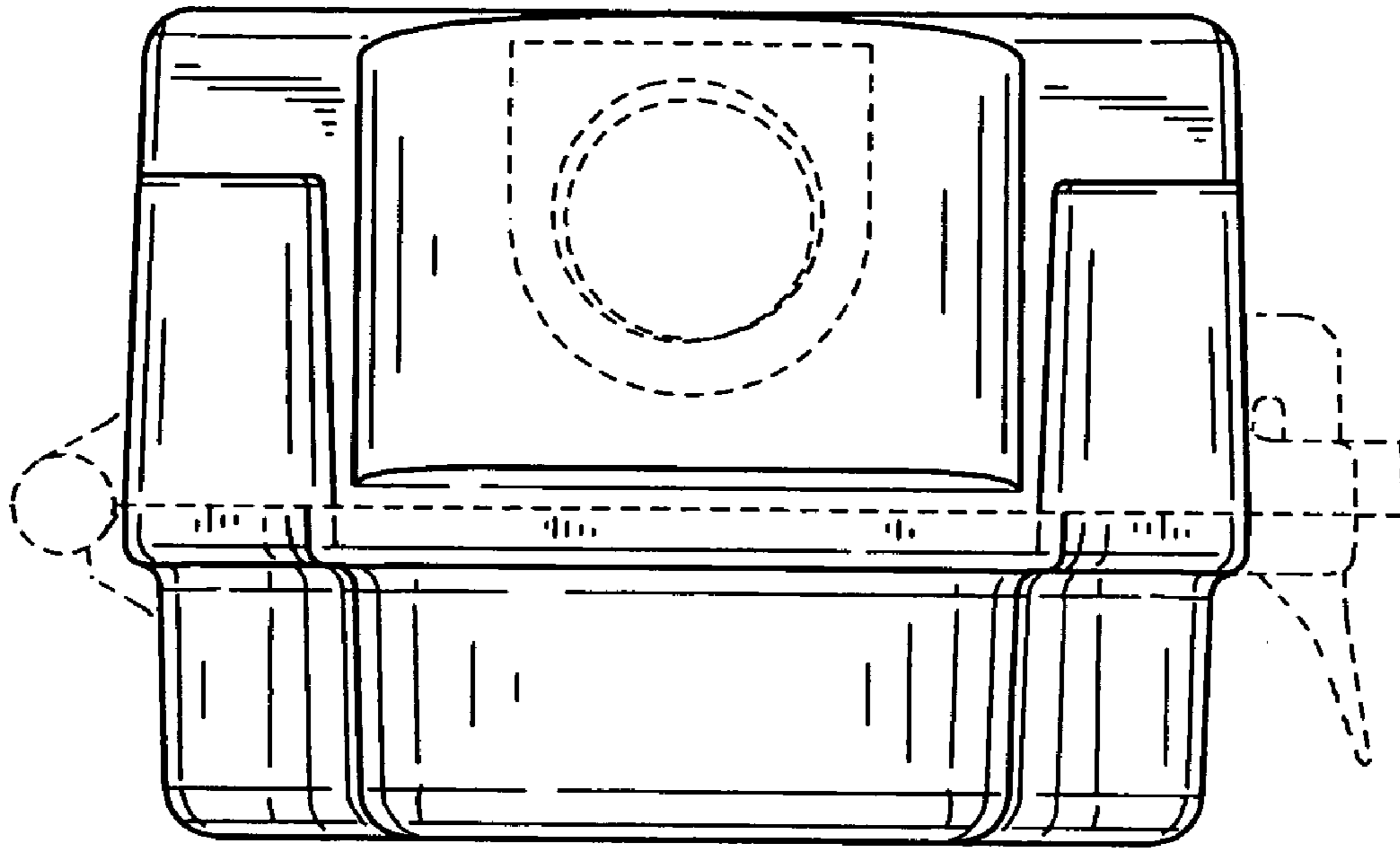


FIG. 13

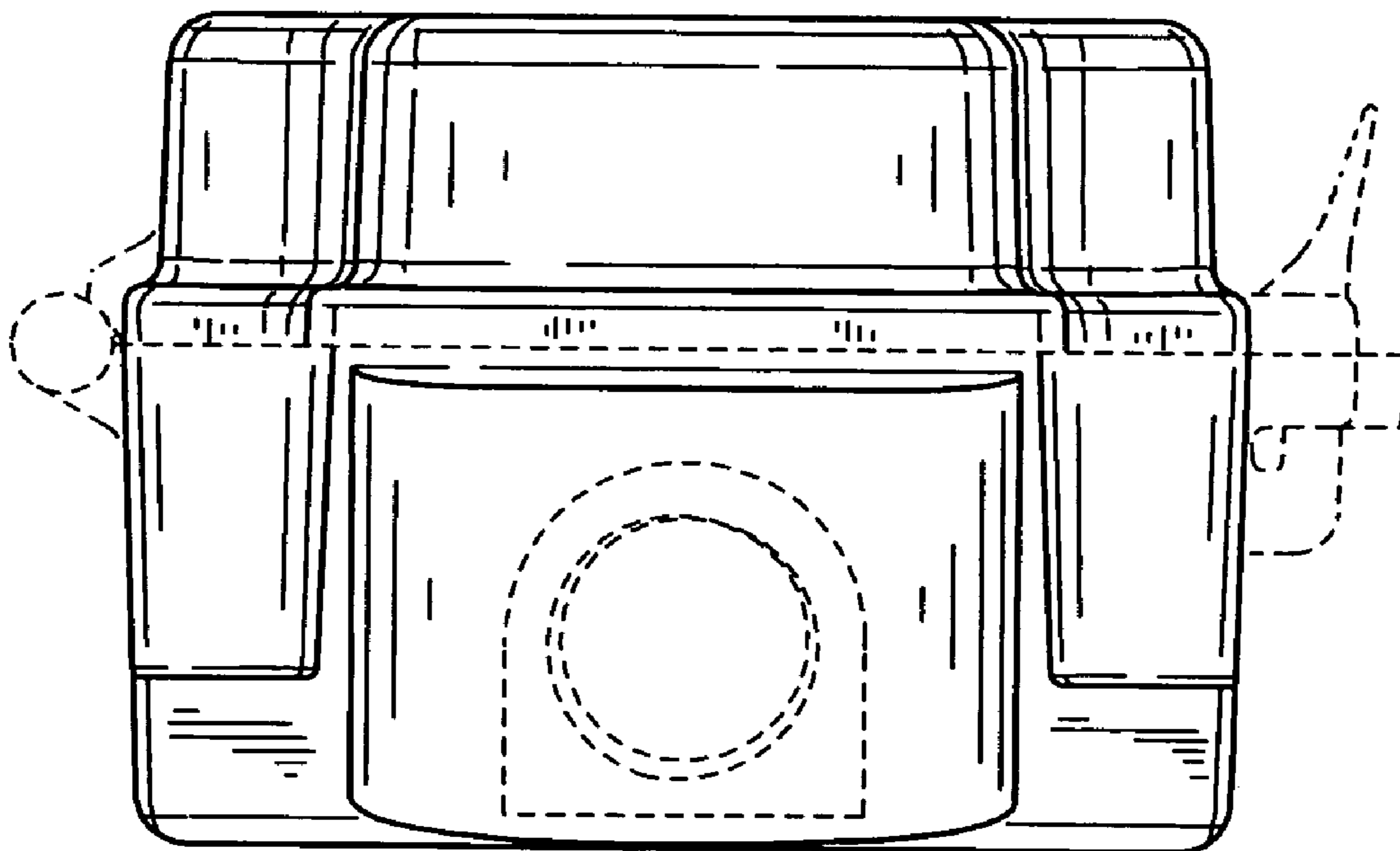


FIG. 14