



US00D580798S

(12) **United States Design Patent**
Barber

(10) **Patent No.:** **US D580,798 S**

(45) **Date of Patent:** **** Nov. 18, 2008**

(54) **CLEAR HANGING MEASURING CUP**

6,769,302 B1 * 8/2004 King et al. 73/427

(75) Inventor: **Thomas Barber**, Rancho Cucamonga, CA (US)

* cited by examiner

Primary Examiner—Terry A Wallace

(73) Assignee: **Bradshaw International, Inc.**, Rancho Cucamonga, CA (US)

(74) *Attorney, Agent, or Firm*—Birch, Stewart, Kolasch & Birch, LLP

(**) Term: **14 Years**

(57) **CLAIM**

(21) Appl. No.: **29/287,491**

The ornamental design for a clear hanging measuring cup, as shown and described.

(22) Filed: **Aug. 15, 2007**

DESCRIPTION

(51) **LOC (8) Cl.** **10-04**

FIG. 1 is a front, right perspective view of a clear hanging measuring cup showing my new design;

(52) **U.S. Cl.** **D10/46.2**

FIG. 2 is a right side view thereof;

(58) **Field of Classification Search** D10/46.2,

FIG. 3 is a left side view thereof;

D10/46.3; D7/533–536, 317; 73/426–429;

FIG. 4 is a front side view thereof;

220/771, 6, 8, 665, 667; 294/55

FIG. 5 is a rear view thereof;

See application file for complete search history.

FIG. 6 is a top view thereof; and,

(56) **References Cited**

U.S. PATENT DOCUMENTS

FIG. 7 is a bottom view thereof.

D268,158 S * 3/1983 Doyel D10/46.3

D473,148 S * 4/2003 Kleckauskas et al. D10/46.2

1 Claim, 7 Drawing Sheets



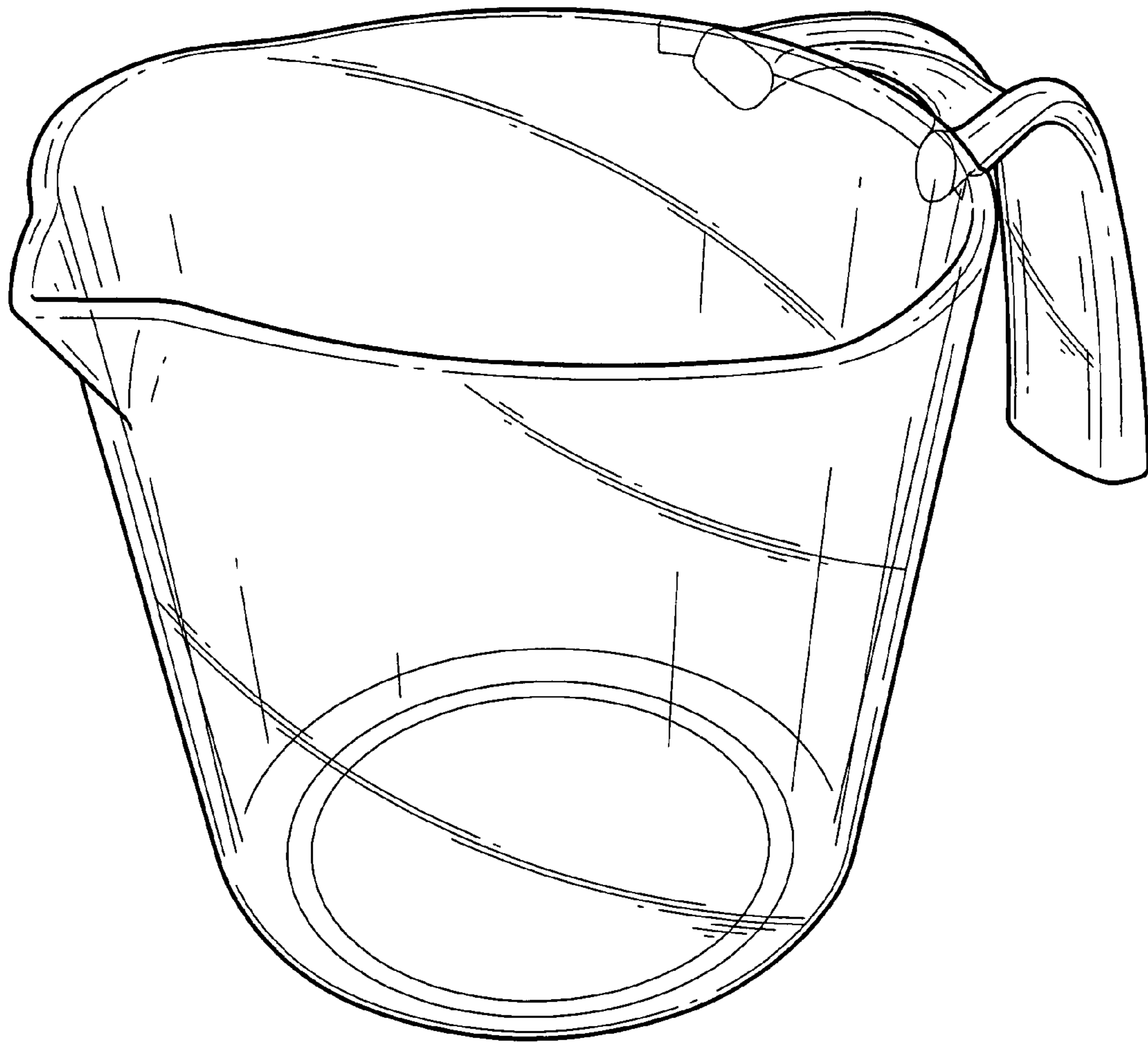


FIG. 1

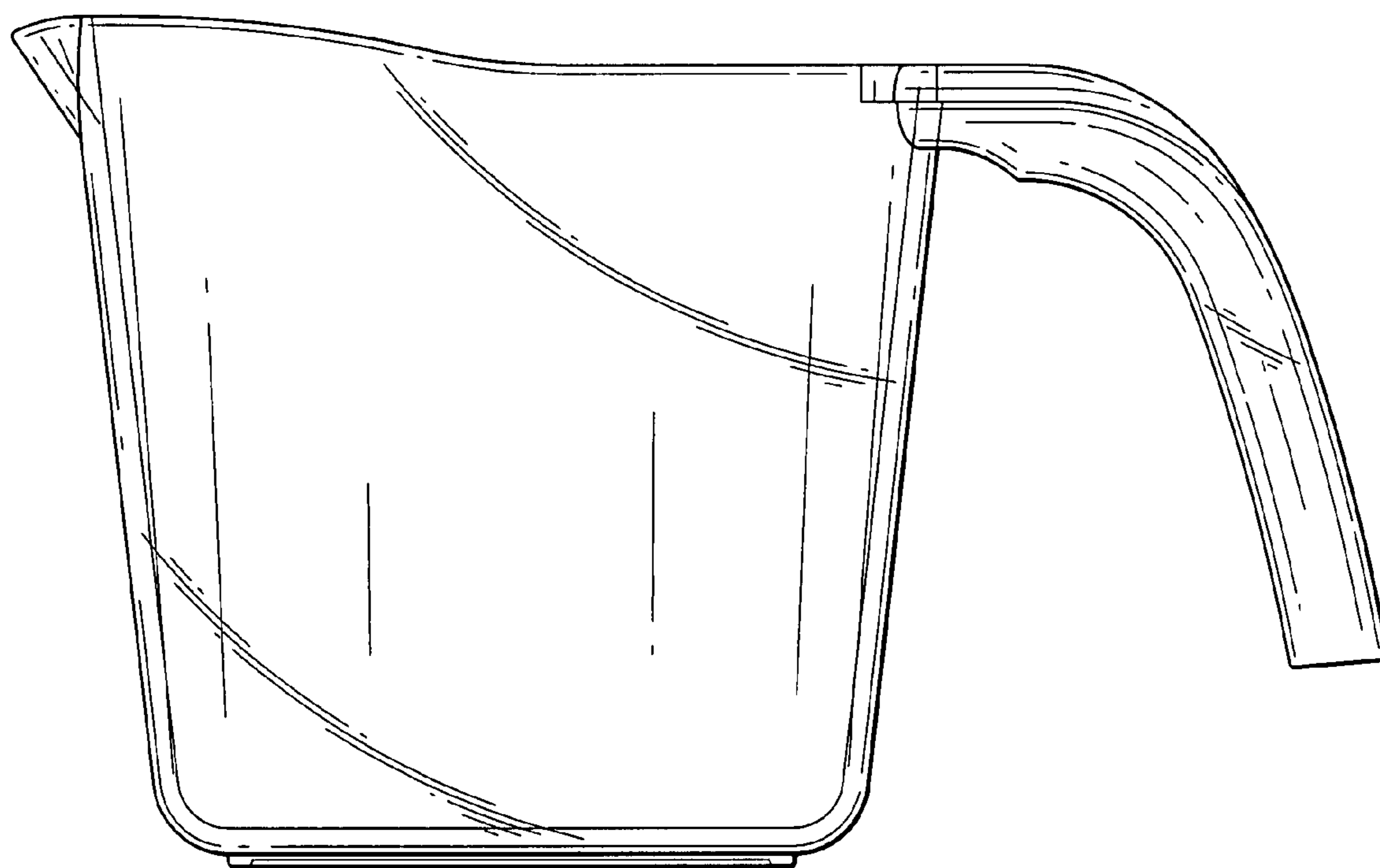


FIG.2

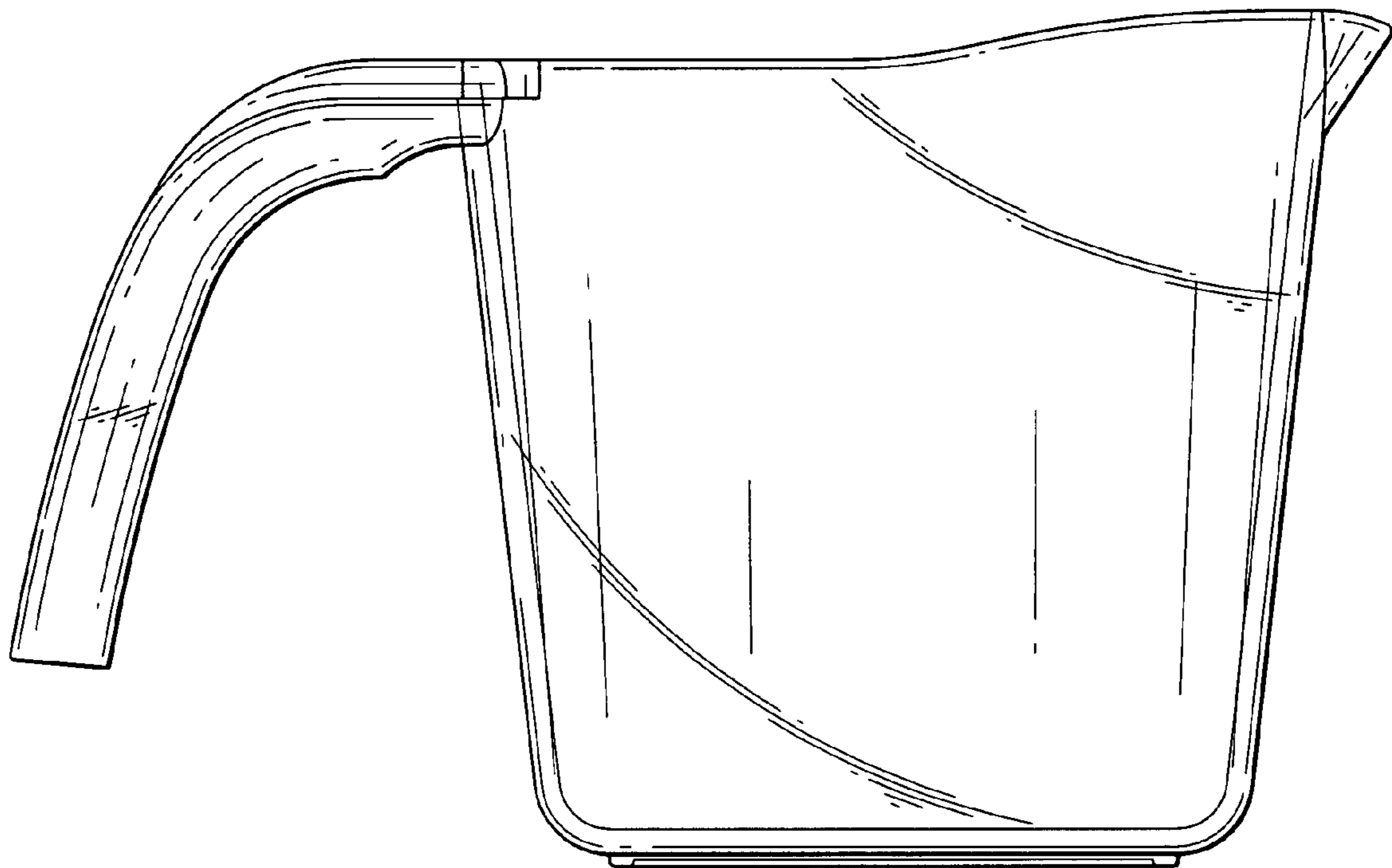


FIG.3

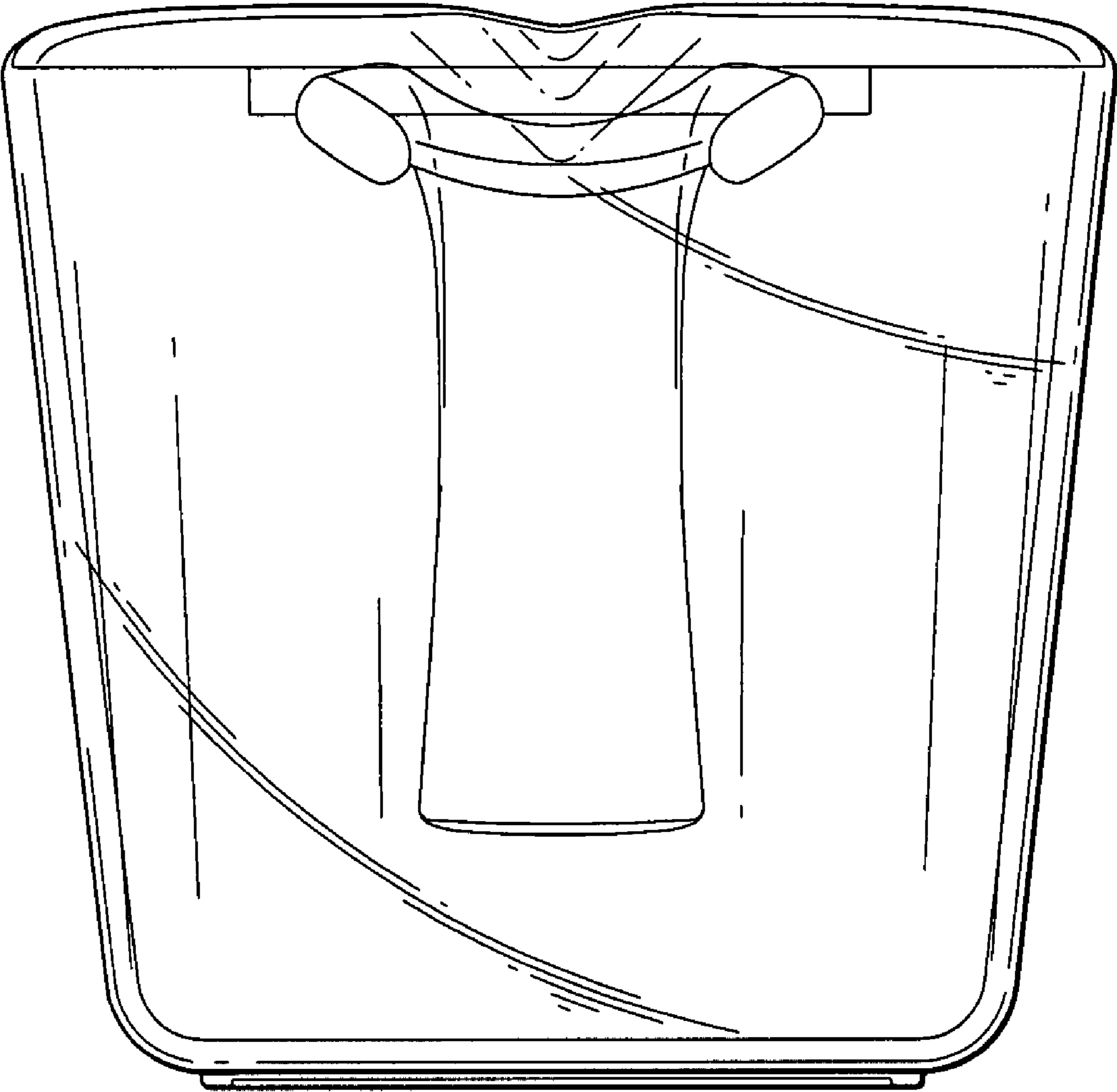


FIG.4

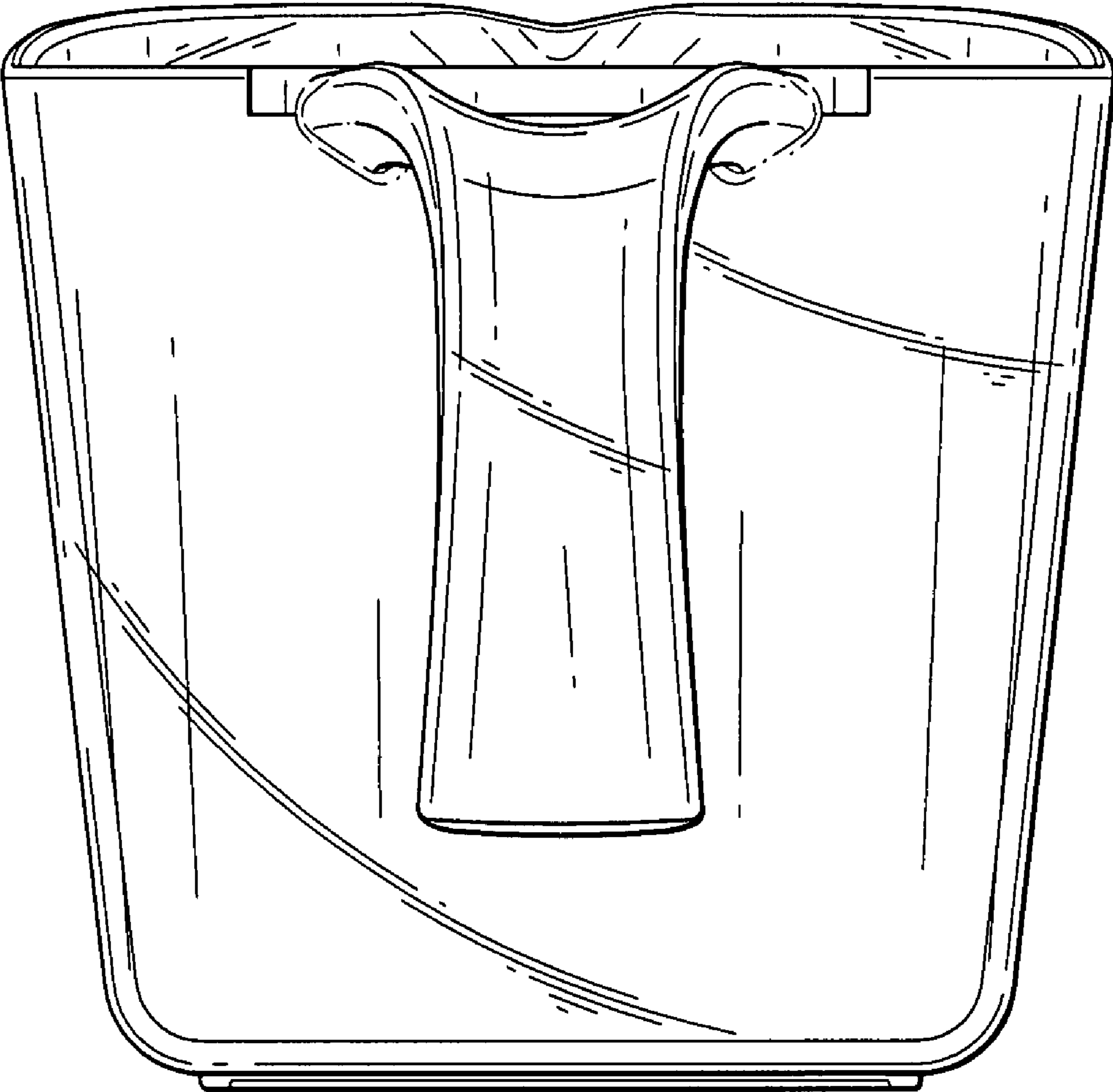


FIG.5

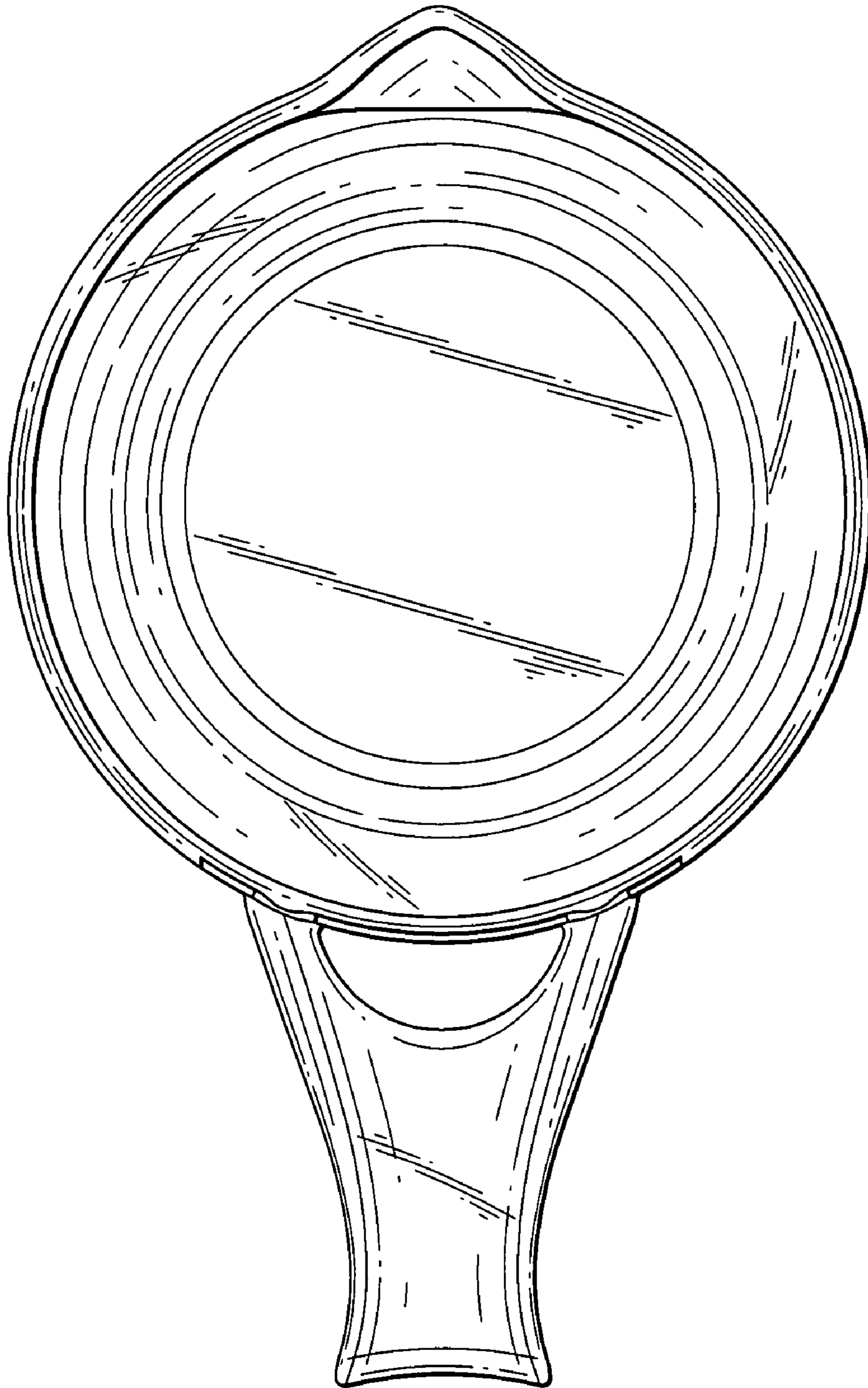


FIG. 6

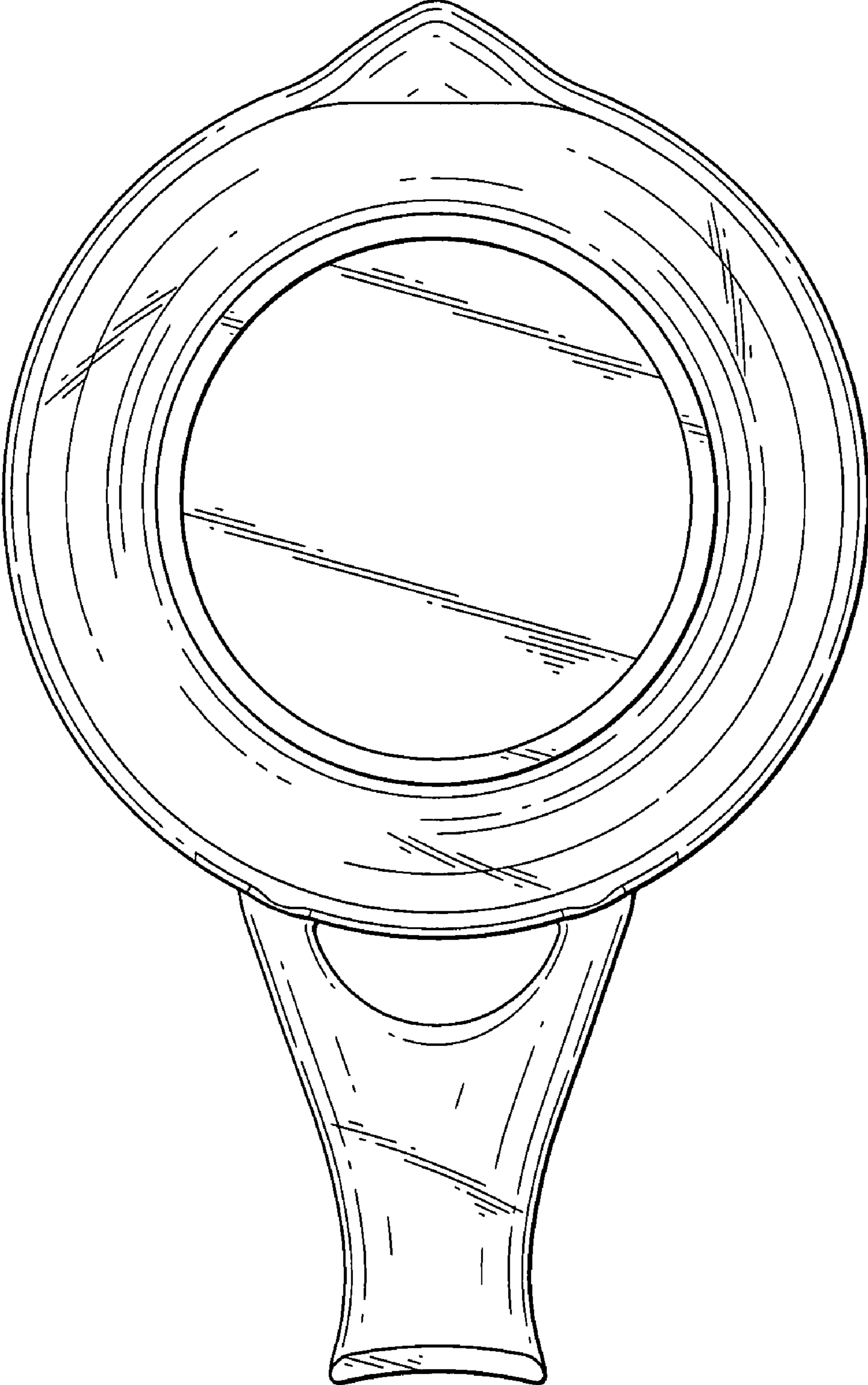


FIG. 7