



US00D580796S

(12) **United States Design Patent**  
**Calvani**

(10) **Patent No.:** **US D580,796 S**

(45) **Date of Patent:** **\*\* Nov. 18, 2008**

(54) **WATCH**

(75) **Inventor:** **Maria Cristina Calvani**, Cologny (CH)

(73) **Assignee:** **Rolex Watch, U.S.A., Inc.**, New York, NY (US)

(\*\*) **Term:** **14 Years**

(21) **Appl. No.:** **29/290,050**

(22) **Filed:** **Oct. 16, 2007**

(30) **Foreign Application Priority Data**

Apr. 17, 2007 (CH) ..... 1339/10

(51) **LOC (8) Cl.** ..... **10-02**

(52) **U.S. Cl.** ..... **D10/33; D10/39**

(58) **Field of Classification Search** ..... D10/30-39,  
D10/122-126; 368/276, 281, 282, 285, 294-6,  
368/80, 223, 228, 232

See application file for complete search history.

(56) **References Cited**

**U.S. PATENT DOCUMENTS**

D104,045	S	*	4/1937	Perona et al.	.....	D6/502
2,361,563	A	*	10/1944	Pellaton	.....	368/80
D179,372	S	*	12/1956	Bauer	.....	D10/39
D195,421	S	*	6/1963	Huguenin	.....	D10/39
D322,037	S	*	12/1991	Takani	.....	D10/32
D324,829	S	*	3/1992	Bock	.....	D10/126
5,220,541	A	*	6/1993	Vuilleumier	.....	368/88
D358,776	S	*	5/1995	Pandel	.....	D10/30
D410,853	S	*	6/1999	Bulgari	.....	D10/32
D459,236	S	*	6/2002	Haquet	.....	D10/30

6,570,823	B1	*	5/2003	Gilomen et al.	.....	368/113
D538,182	S	*	3/2007	Lalo	.....	D10/32
D541,674	S	*	5/2007	Senggen et al.	.....	D10/32
D554,539	S	*	11/2007	Galliano	.....	D10/32
D558,633	S	*	1/2008	Wei	.....	D10/126
D559,123	S	*	1/2008	Modolo	.....	D10/32

**OTHER PUBLICATIONS**

Hong Kong Watches and Clocks, vol. 4, 2004, p. 101, trendy pattern bangle watch with zebra stripes, item No. YP-03189/P03.\*

Watches International VI, The Original Annual of the World's Finest Wristwatches, copyright 2005, Tourbillon International, LLC., pp. 458-459, Rolex watches.\*

\* cited by examiner

*Primary Examiner*—Lucy Lieberman

(74) *Attorney, Agent, or Firm*—Sughrue Mion, PLLC

(57) **CLAIM**

The ornamental design for a watch, as shown.

**DESCRIPTION**

FIG. 1 is a perspective view of the top, front and right side of a watch showing my new design;

FIG. 2 is a top plan view thereof;

FIG. 3 is a front elevational view thereof;

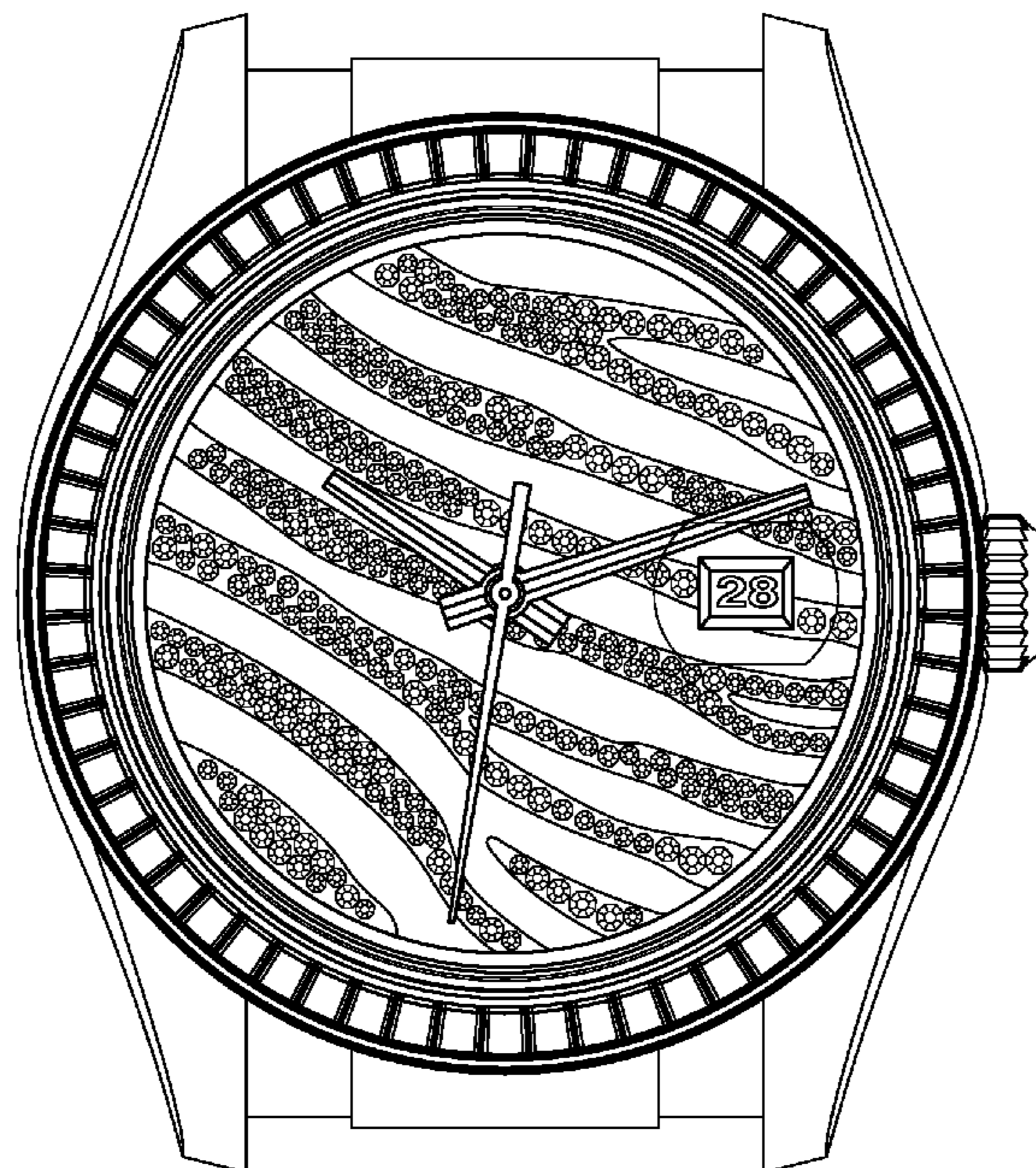
FIG. 4 is a right side elevational view thereof;

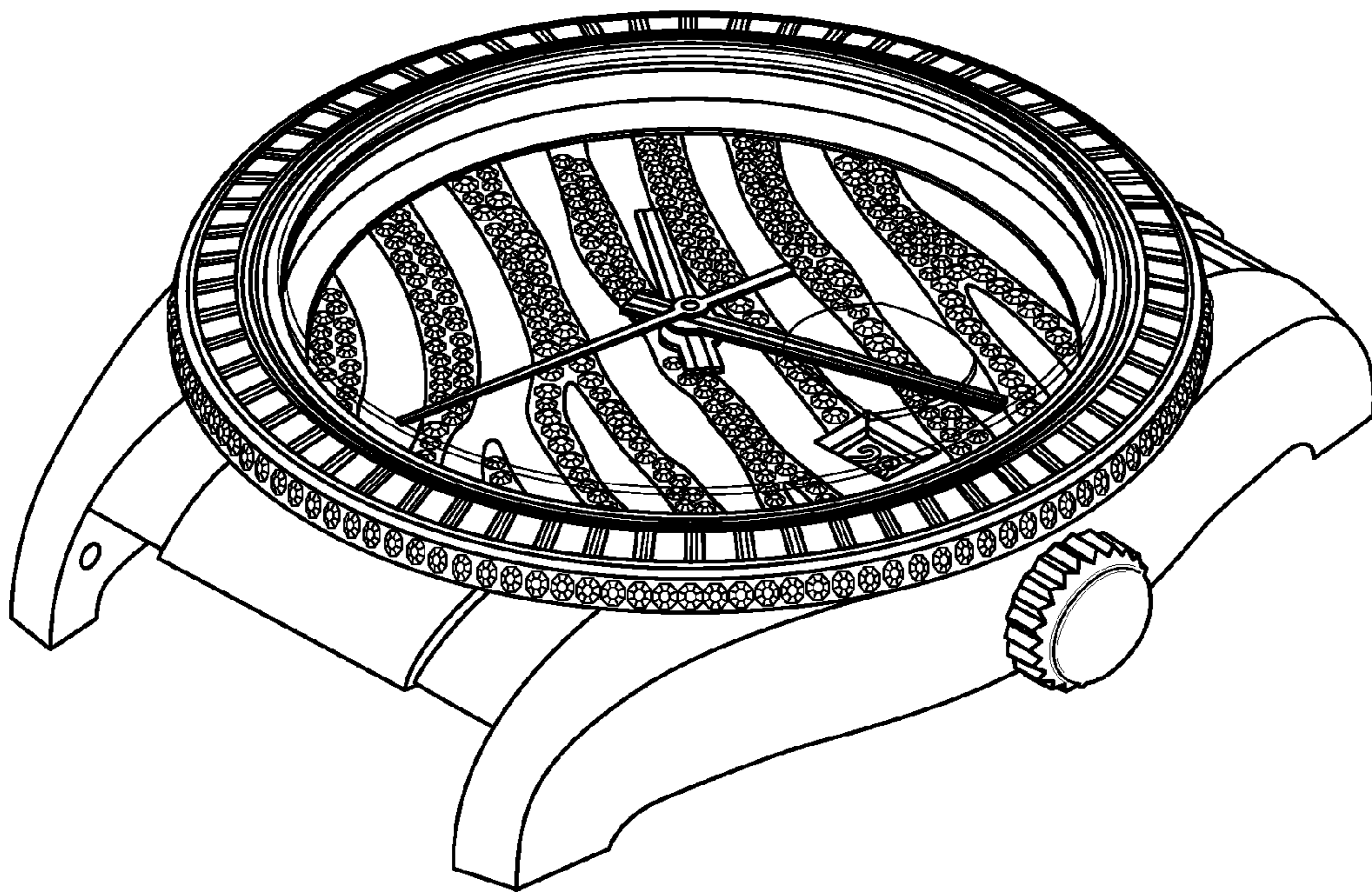
FIG. 5 is a bottom plan view thereof;

FIG. 6 is a rear elevational view thereof; and,

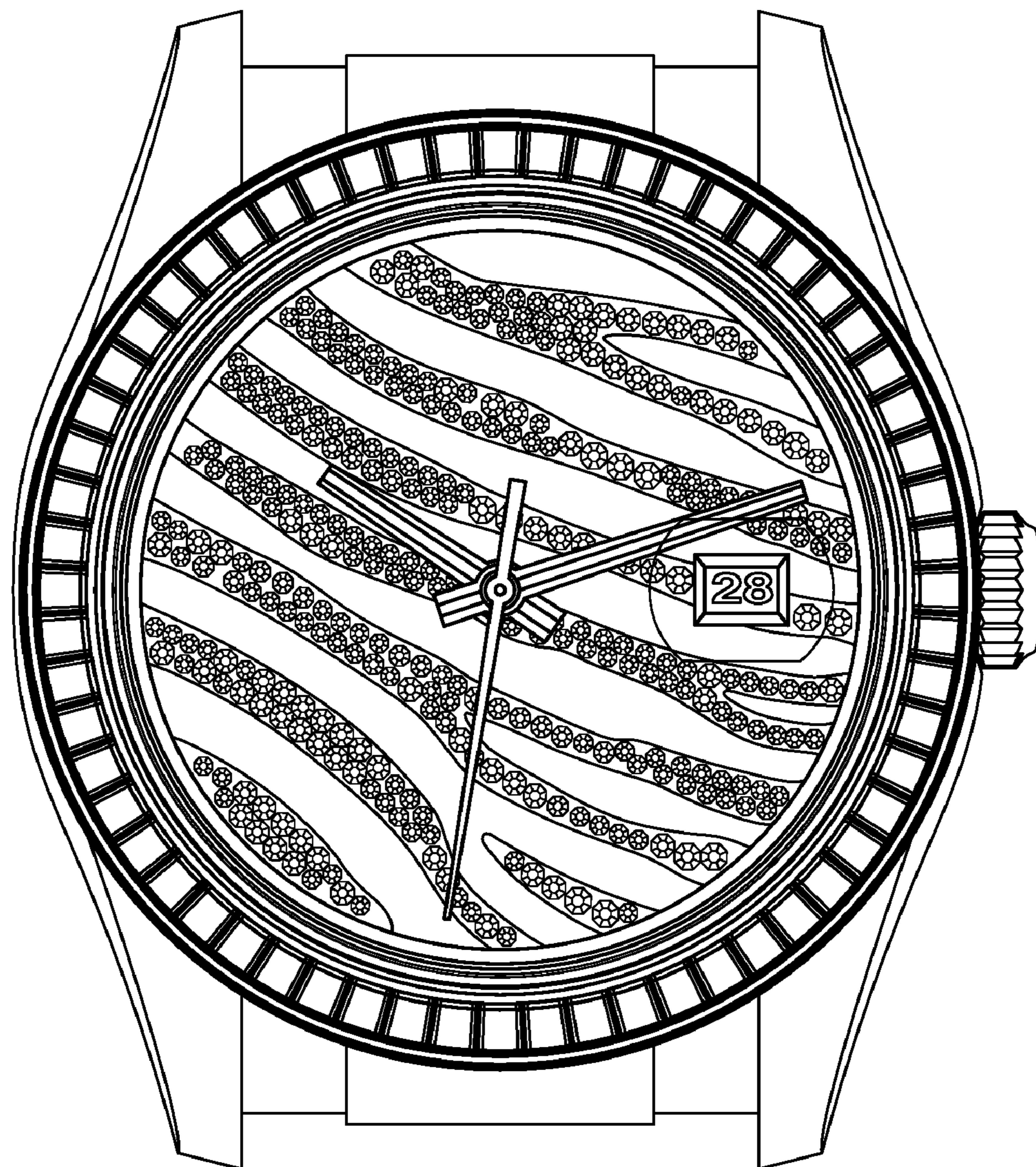
FIG. 7 is a left side elevational view thereof.

**1 Claim, 5 Drawing Sheets**

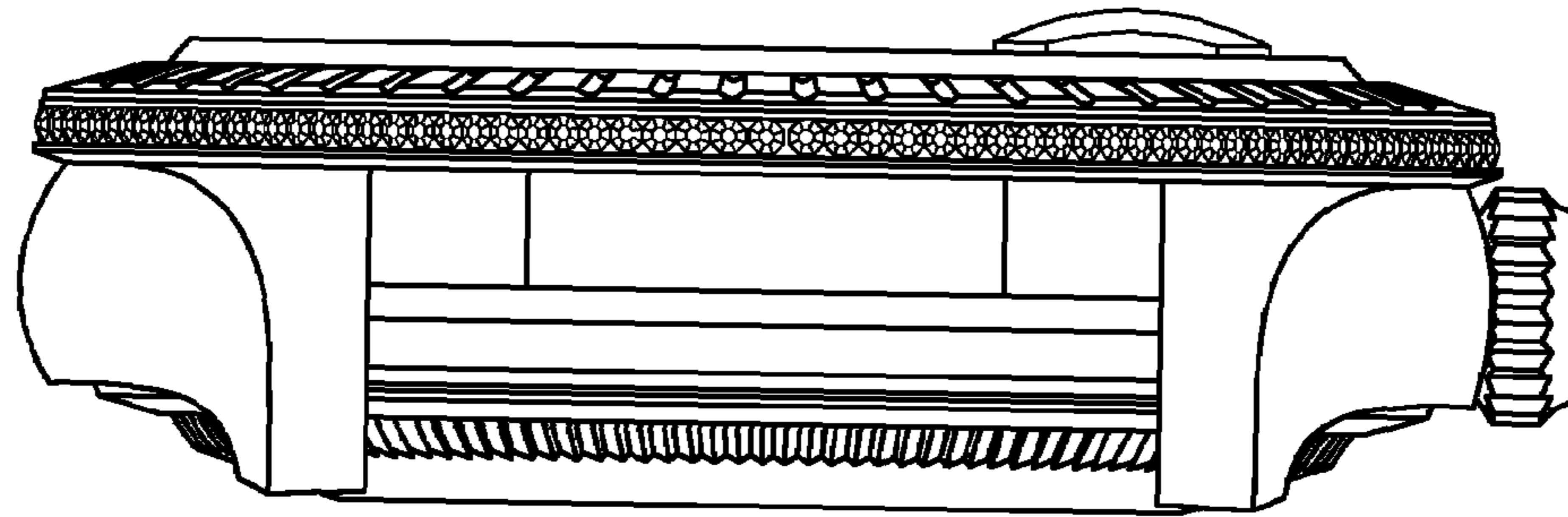




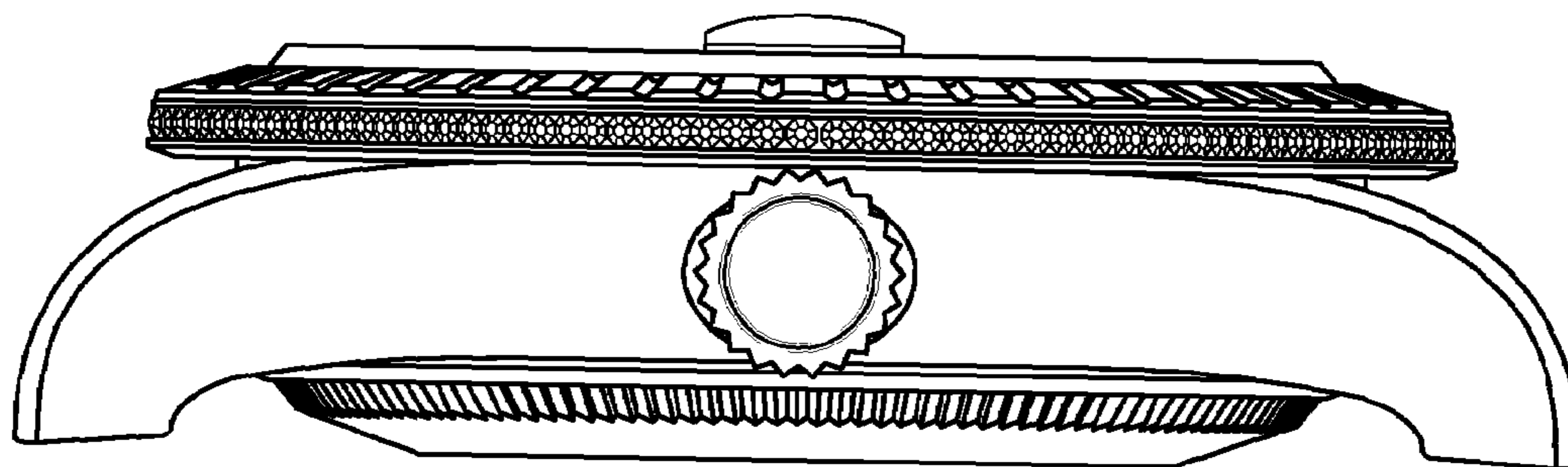
**Fig. 1**



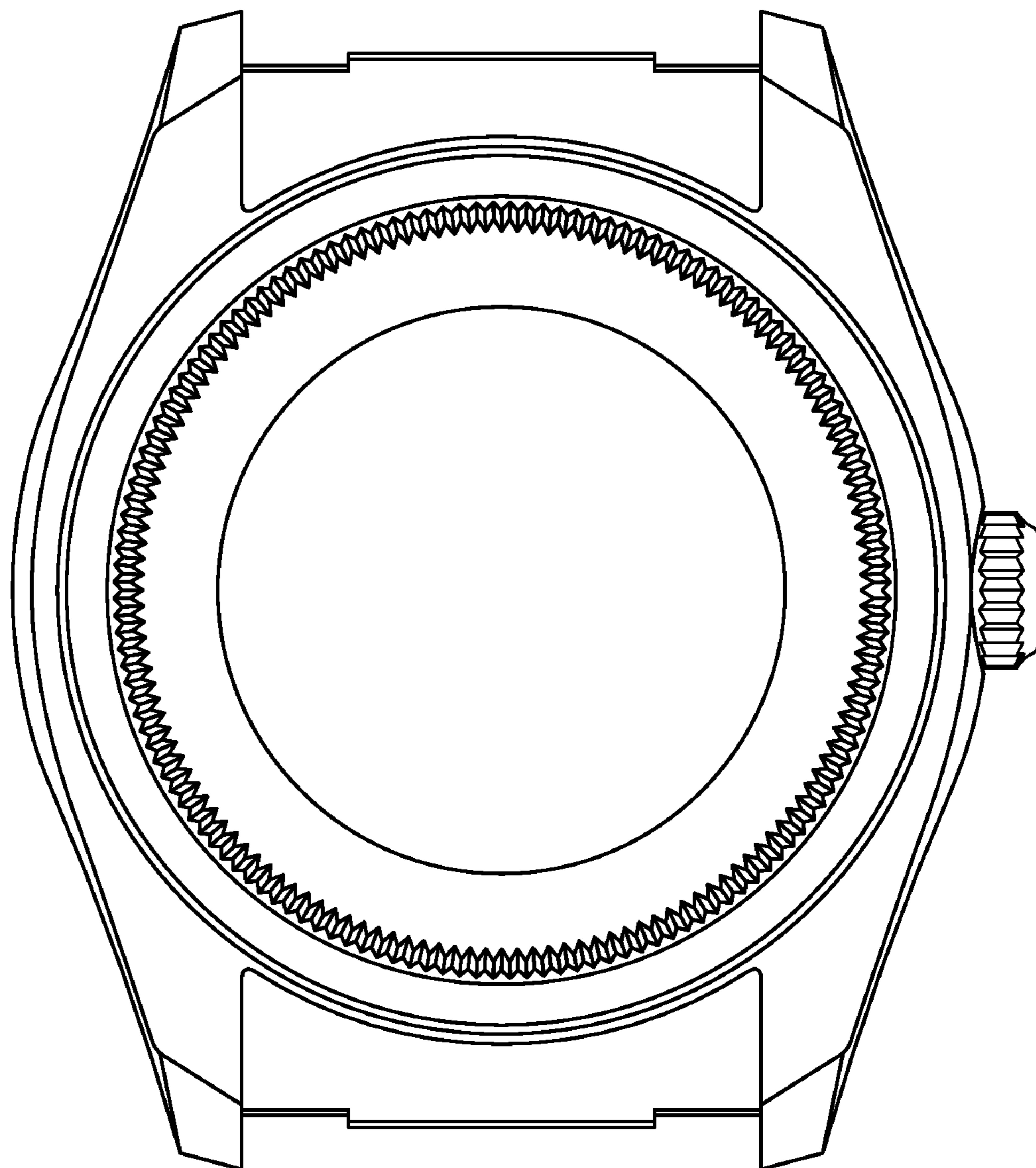
**Fig. 2**



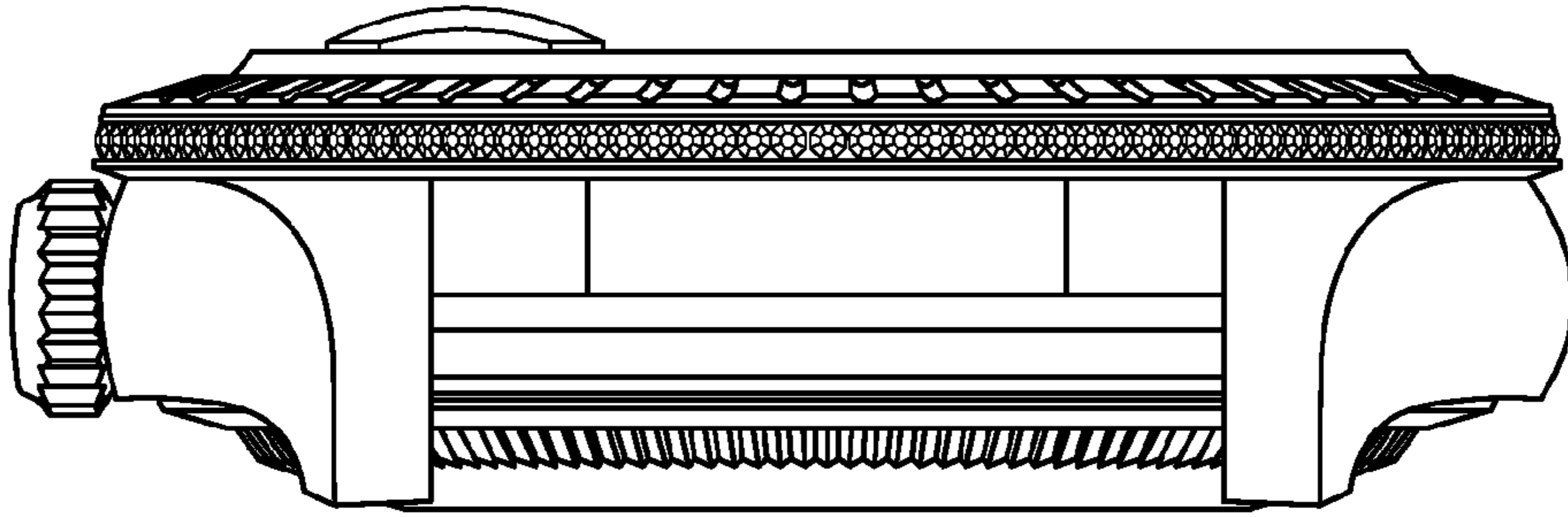
**Fig. 3**



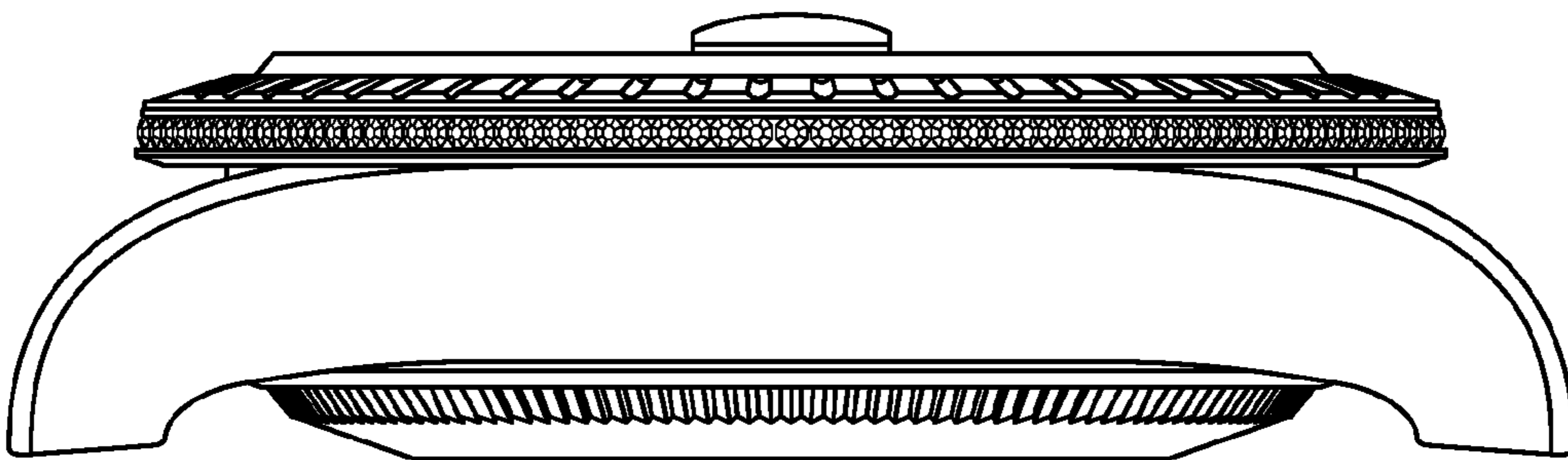
**Fig. 4**



**Fig. 5**



*Fig. 6*



*Fig. 7*