

US00D580787S

(12) **United States Design Patent**
Weggelaar

(10) **Patent No.:** **US D580,787 S**

(45) **Date of Patent:** **** Nov. 18, 2008**

(54) **BOTTLE**

(75) Inventor: **Bjorn Weggelaar**, Haarlem (NL)

(73) Assignee: **Sara Lee Household and Body Care**
Nederland B.V., Utrecht (NL)

(**) Term: **14 Years**

(21) Appl. No.: **29/291,838**

(22) Filed: **Sep. 17, 2007**

Related U.S. Application Data

(63) Continuation-in-part of application No. 29/252,962,
filed on Jan. 31, 2006, now Pat. No. Des. 554,532.

(30) **Foreign Application Priority Data**

Apr. 5, 2007 (EM) 000702527

(51) **LOC (8) Cl.** **09-01**

(52) **U.S. Cl.** **D9/740; D9/741**

(58) **Field of Classification Search** D9/684,
D9/738-747, 516, 530, 541-543, 560, 574-575,
D9/452-453; D4/114, 116; 215/6, 10
See application file for complete search history.

(56) **References Cited**

U.S. PATENT DOCUMENTS

D103,887 S *	3/1937	Conner	D9/740
D105,290 S	7/1937	Lloyd		
D161,125 S *	12/1950	Polime	D7/596
D190,101 S *	4/1961	Mangini	D9/741
D191,251 S *	8/1961	Zackheim	D9/741 X
D192,980 S	6/1962	Mangini		
D219,643 S *	1/1971	Garbus	D9/739
D237,583 S	11/1975	Kemp		
D244,992 S *	7/1977	Van der Veken	D9/741 X
4,196,808 A *	4/1980	Pardo	215/6 X
D263,118 S *	2/1982	Weckman	D9/741
D275,367 S *	9/1984	Holewinski	D9/741 X
D289,855 S	5/1987	Carlson		

D290,225 S	6/1987	Carlson		
D292,266 S	10/1987	Vanlanen et al.		
D292,373 S *	10/1987	Costa	D9/740
D297,166 S	8/1988	Hollar et al.		
D298,991 S	12/1988	Stanley		
D301,546 S	6/1989	McCallister		
D305,914 S *	2/1990	Ukisu	D21/483
D307,111 S	4/1990	Green		
D308,163 S	5/1990	Hollar et al.		
D317,717 S	6/1991	Carol		
D326,606 S	6/1992	Green		
D327,639 S	7/1992	Burnsed		
D356,494 S	3/1995	Eke et al.		
D373,606 S *	9/1996	Knudsen	D21/503
D399,131 S	10/1998	Eichler		
D413,748 S	9/1999	Lagrotta		
D420,576 S	2/2000	Abraskin		
6,425,491 B1 *	7/2002	Abraskin	215/10
D497,104 S *	10/2004	Best et al.	D9/740
D505,080 S *	5/2005	Cagle	D9/571
D537,354 S *	2/2007	Caserta et al.	D9/543
D554,532 S	11/2007	Weggelaar		
D556,582 S *	12/2007	Heijdenrijk	D9/454 X
2002/0172512 A1 *	11/2002	Stathakis et al.	392/395

* cited by examiner

Primary Examiner—Carol Rademaker

(74) *Attorney, Agent, or Firm*—Foley & Lardner LLP

(57) **CLAIM**

I claim the ornamental design for a bottle, as shown.

DESCRIPTION

FIG. 1 is a top, front, and right side perspective view of a bottle comprising the present invention;

FIG. 2 is a front elevational view thereof;

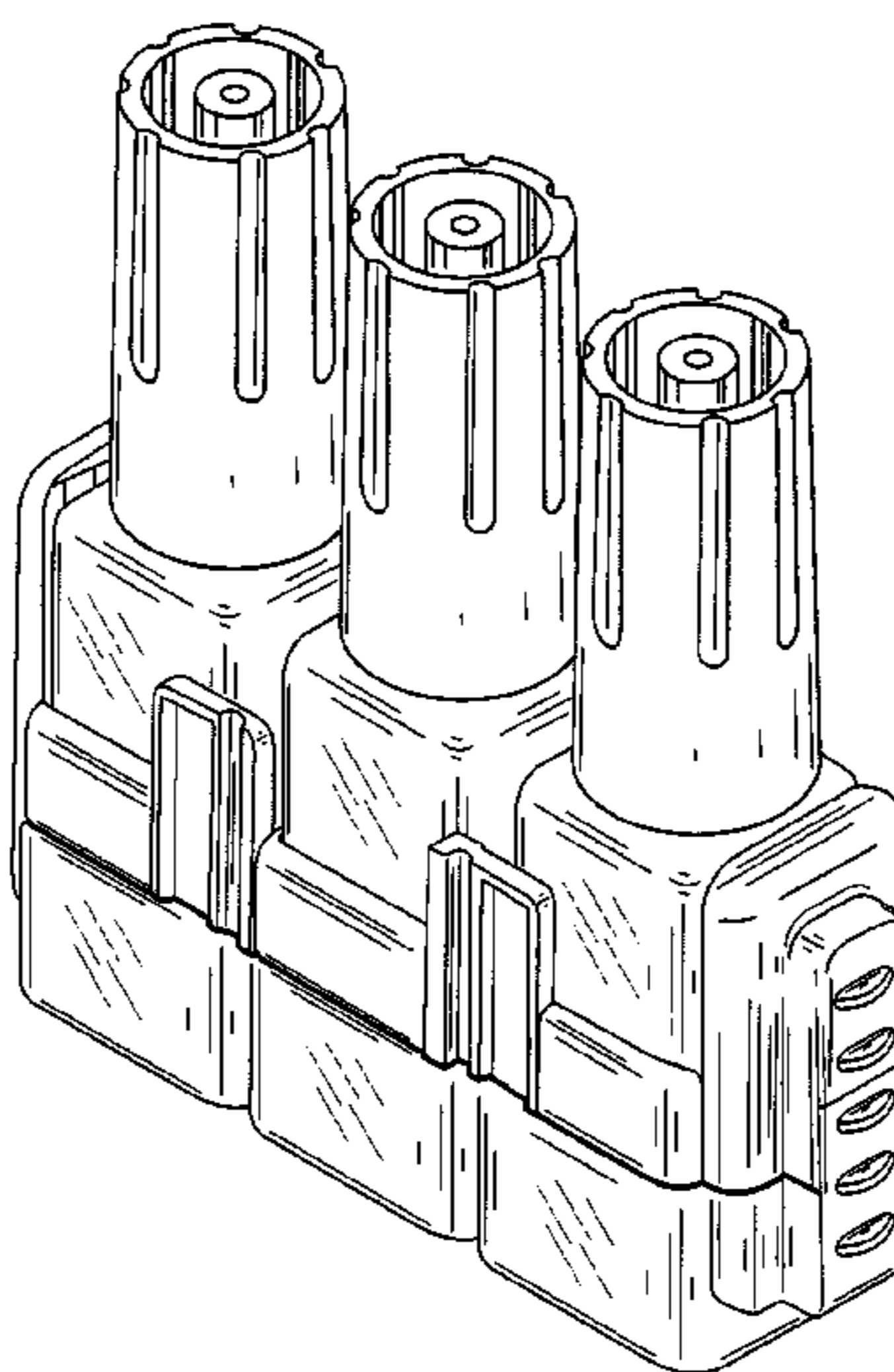
FIG. 3 is a rear elevational view thereof;

FIG. 4 is a right side view thereof; and

FIG. 5 is a left side elevational view thereof; and,

FIG. 6 is a top plan view thereof.

1 Claim, 3 Drawing Sheets



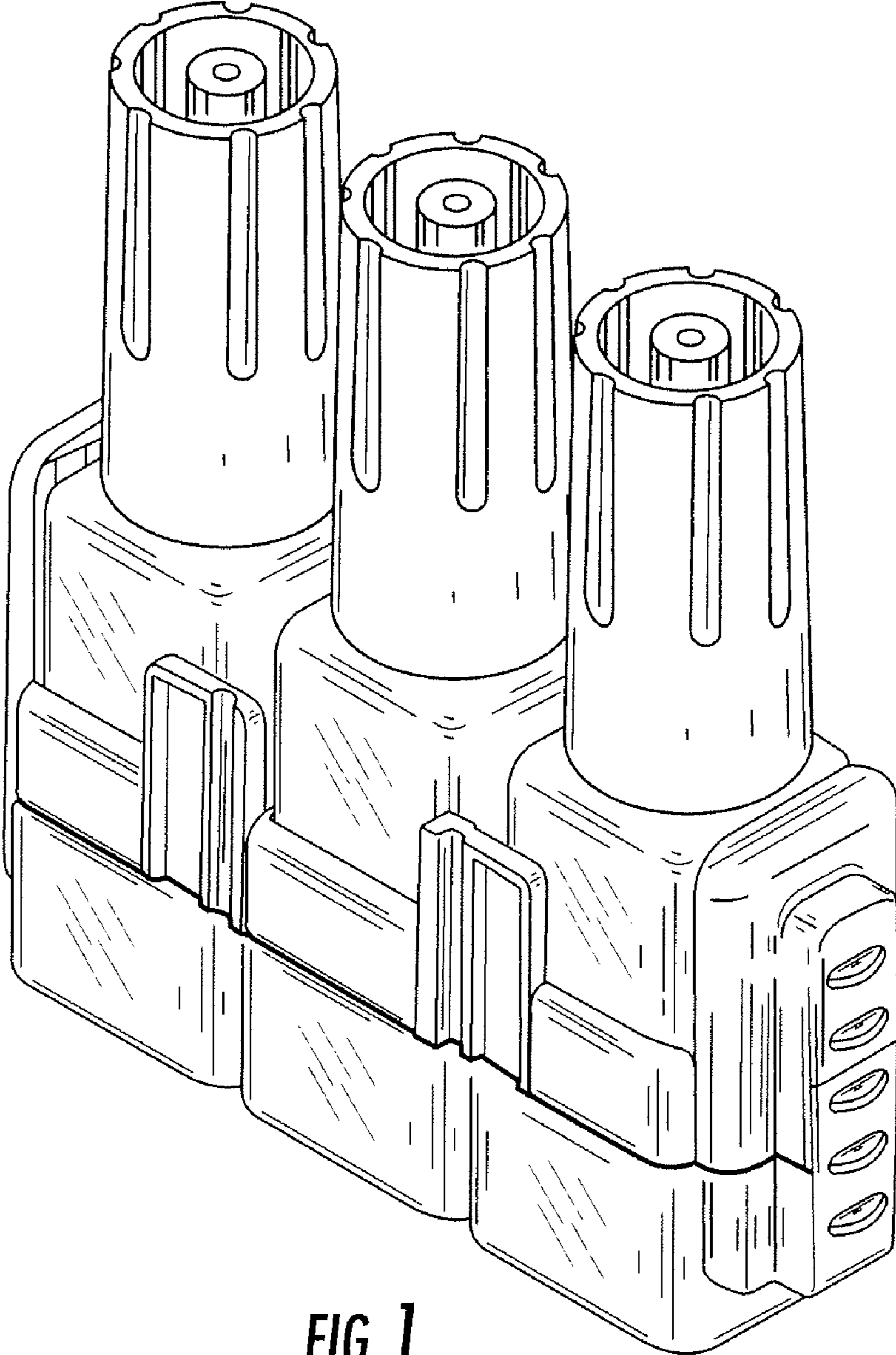


FIG. 1

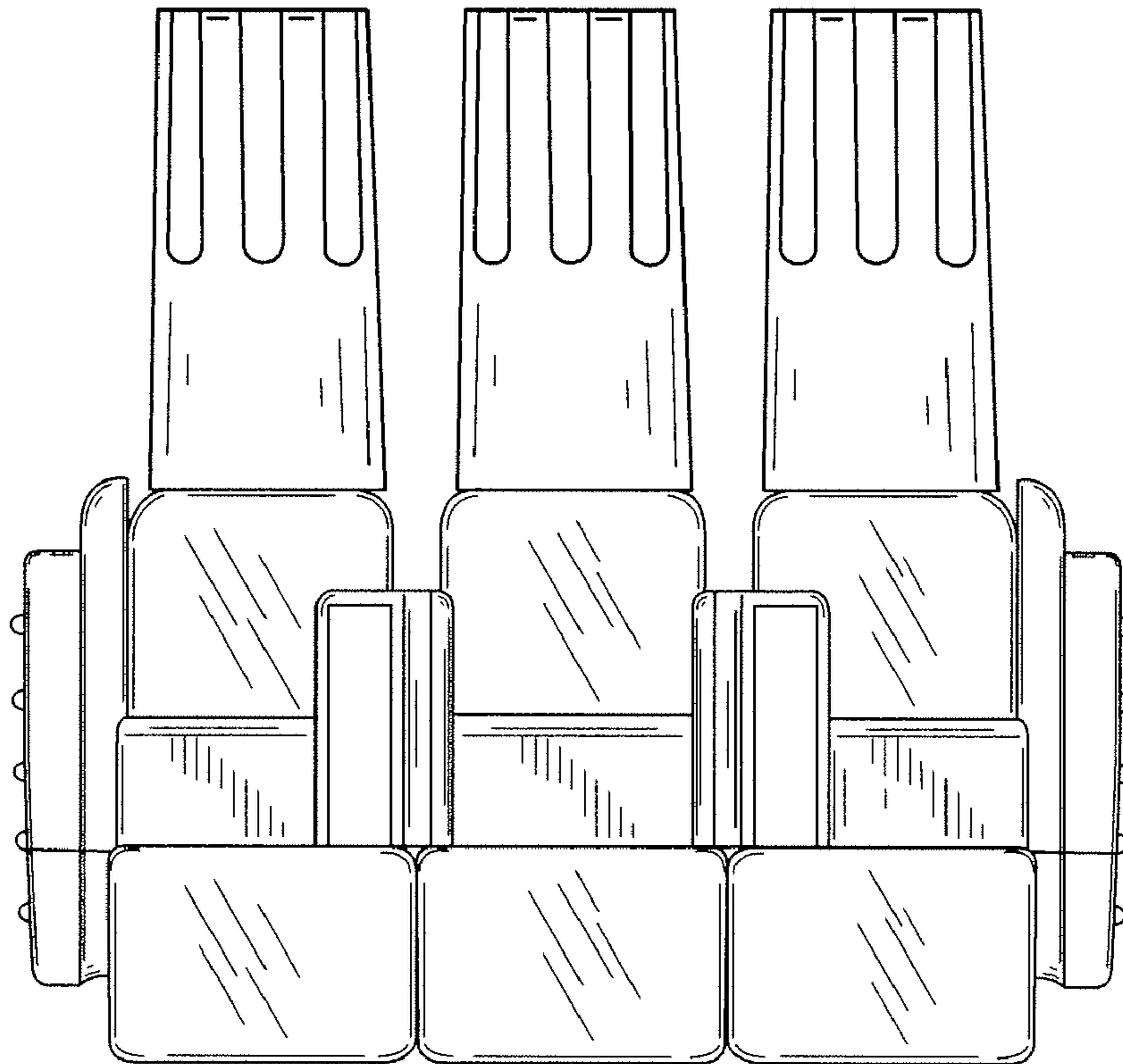


FIG. 2

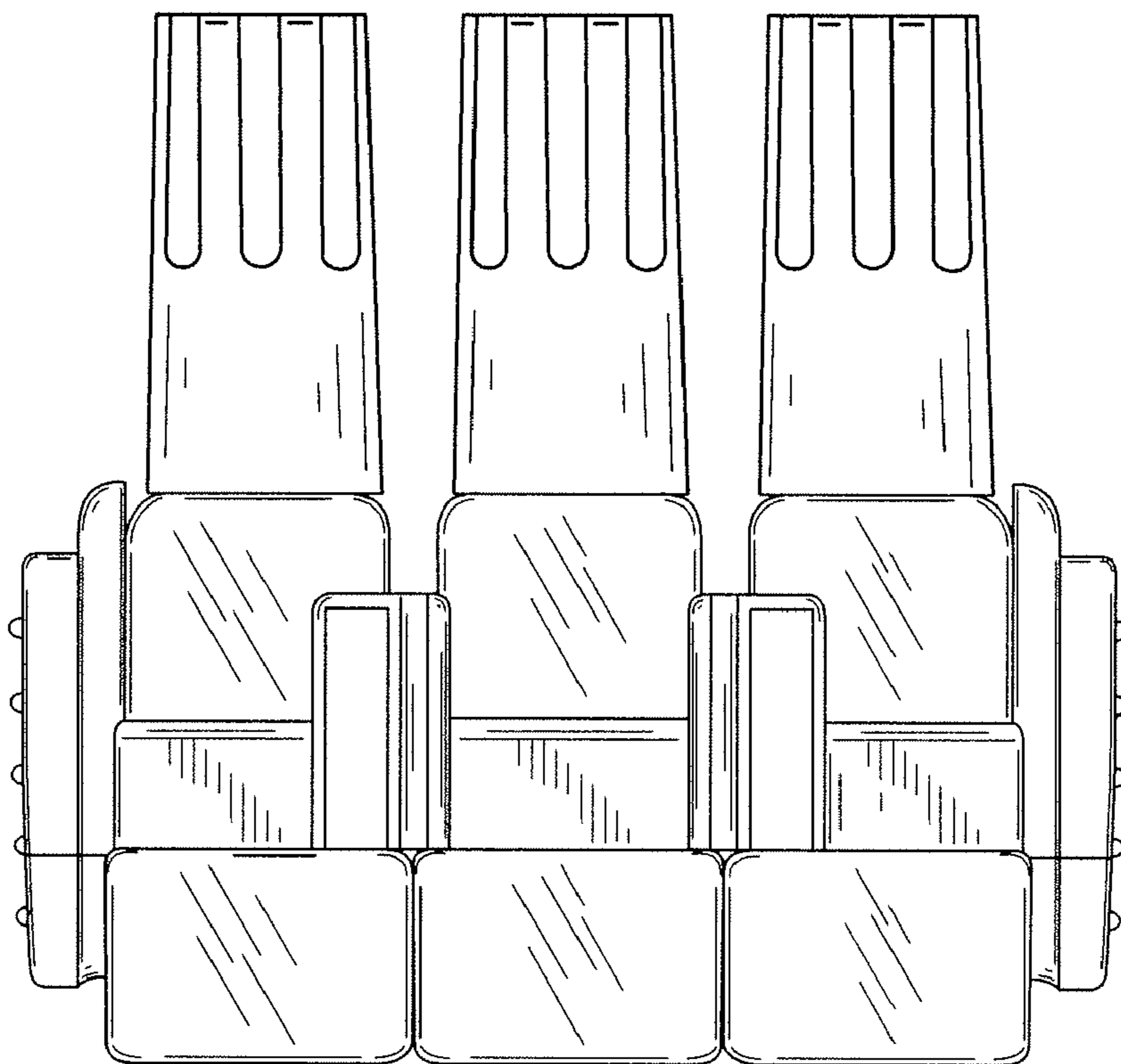


FIG. 3

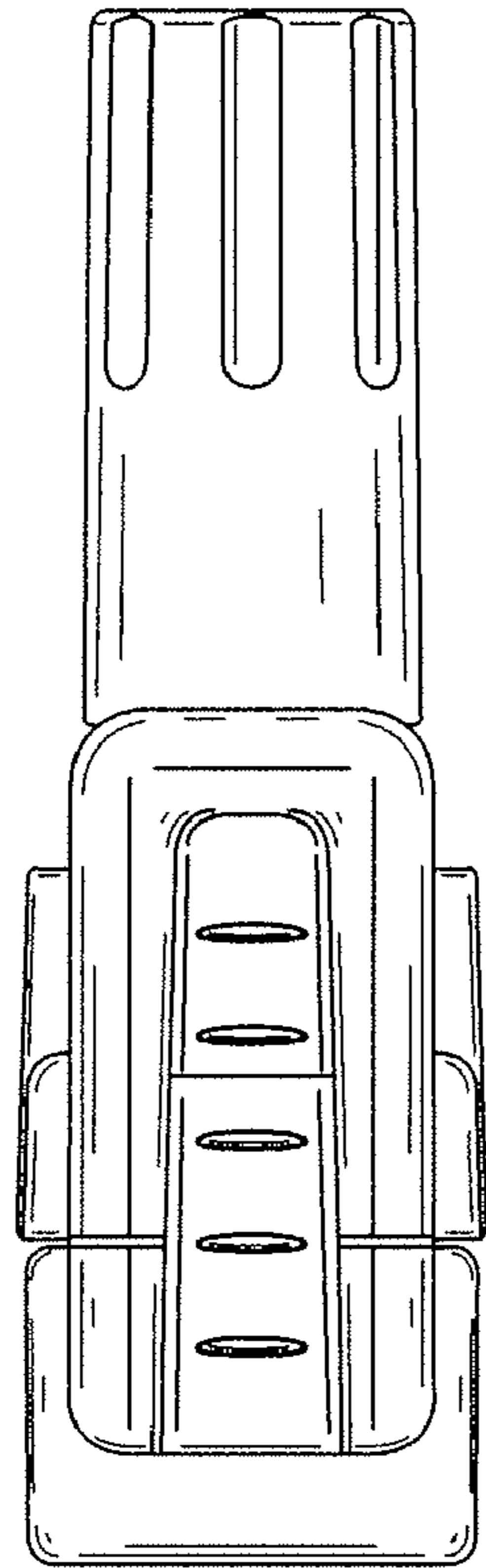


FIG. 4

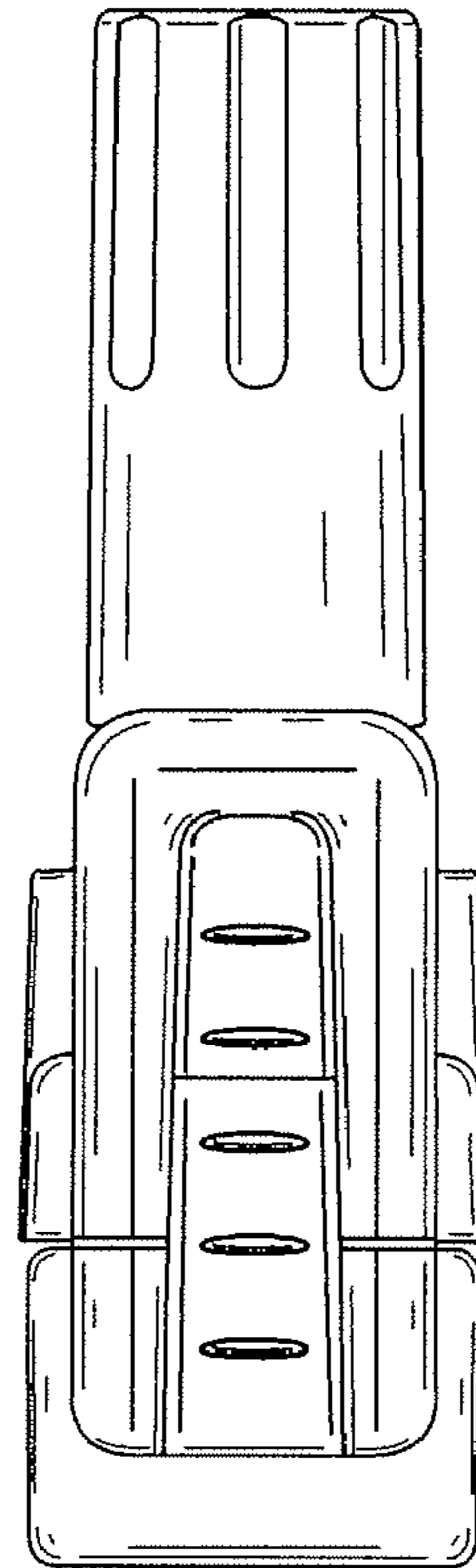


FIG. 5

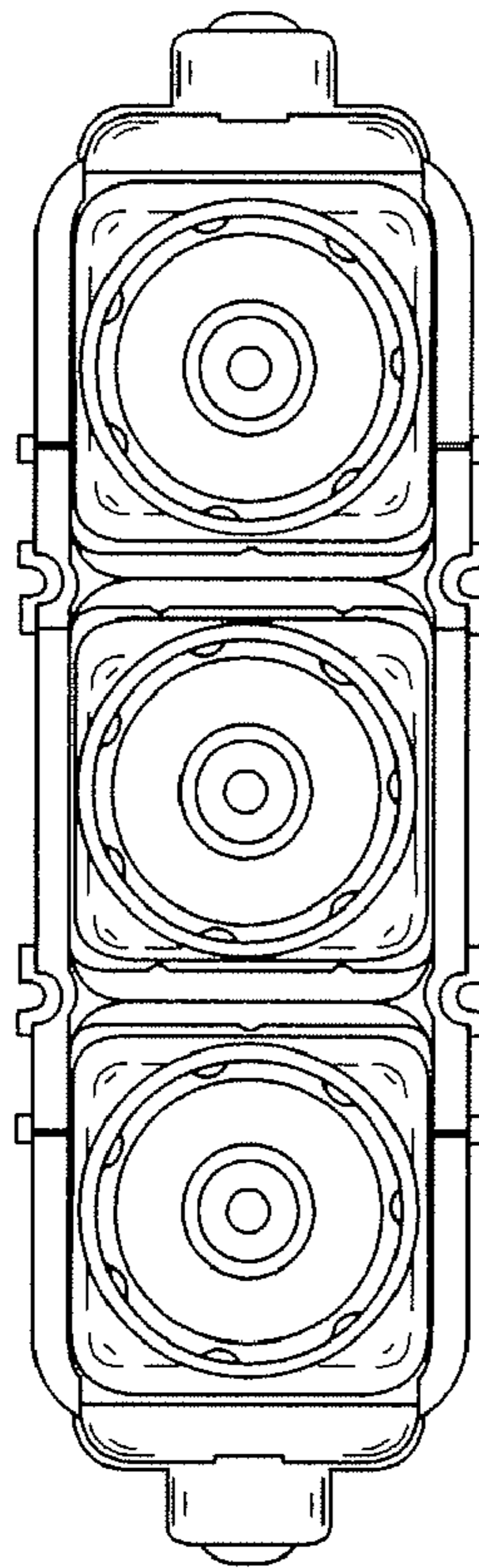


FIG. 6