



US00D580779S

(12) **United States Design Patent**
Hartwell et al.

(10) **Patent No.:** **US D580,779 S**

(45) **Date of Patent:** **** Nov. 18, 2008**

(54) **SEALABLE BAG**

(76) Inventors: **Mark S. Hartwell**, 1194 Wintercrest Cir., Milford, OH (US) 45150; **Madison M. Hartwell**, 1194 Wintercrest Cir., Milford, OH (US) 45150

(**) Term: **14 Years**

(21) Appl. No.: **29/317,245**

(22) Filed: **Apr. 25, 2008**

(51) **LOC (8) Cl.** **09-05**

(52) **U.S. Cl.** **D9/705**

(58) **Field of Classification Search** D9/702-703, D9/705, 707, 709-710, 720, 430-432, 424, D9/414, 761; 383/33, 61.1, 79, 81, 86, 98, 383/35, 63, 120, 104, 61.2; 426/106; 220/495.03; D3/303; 229/108, 108.1, 87.19, 114, 106, 229/400, 904, 938, 902

See application file for complete search history.

(56) **References Cited**

U.S. PATENT DOCUMENTS

D185,882 S *	8/1959	Bamburg	D9/423
4,714,190 A *	12/1987	Morrocco	229/404
D319,780 S *	9/1991	Laaki	D9/707
5,875,957 A *	3/1999	Yocum	229/120.22
D430,795 S *	9/2000	Stier	D9/703
D451,385 S *	12/2001	Bryan et al.	D9/423
D469,691 S *	2/2003	Brondyke et al.	D9/431
D482,614 S *	11/2003	Countee, Jr.	D9/430

D510,520 S *	10/2005	Butler et al.	D9/430
D523,744 S *	6/2006	Zeng	D9/430
7,140,532 B2 *	11/2006	Holt et al.	229/120.13
D555,513 S *	11/2007	Baker	D9/761
D568,760 S *	5/2008	Trappmaier	D9/712

* cited by examiner

Primary Examiner—Caron D. Veynar

Assistant Examiner—Abraham Bahta

(74) *Attorney, Agent, or Firm*—Van Dyke, Gardner, Linn & Burkhart LLP

(57) **CLAIM**

The ornamental design for the sealable bag, as shown and described.

DESCRIPTION

FIG. 1 is a perspective view of a sealable bag in accordance with the present invention;

FIG. 2 is a side elevation thereof;

FIG. 3 is an opposite side elevation thereof.

FIG. 4 is a rear elevation thereof;

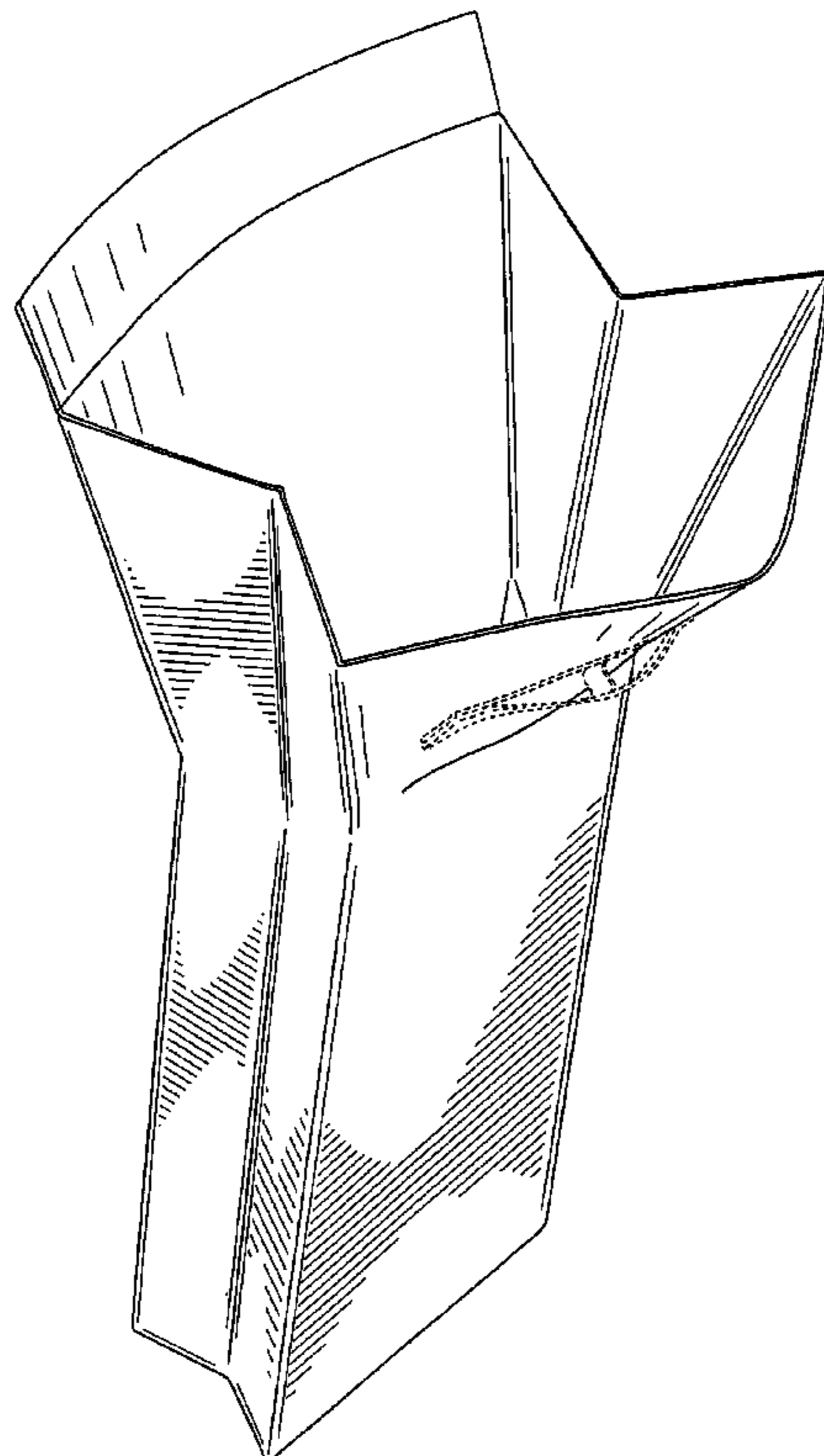
FIG. 5 is a front elevation thereof;

FIG. 6 is a top plan view thereof; and,

FIG. 7 is a bottom plan view thereof.

The broken lines shown in the drawing disclosure are for illustrative purposes only and form no part of the claimed design.

1 Claim, 7 Drawing Sheets



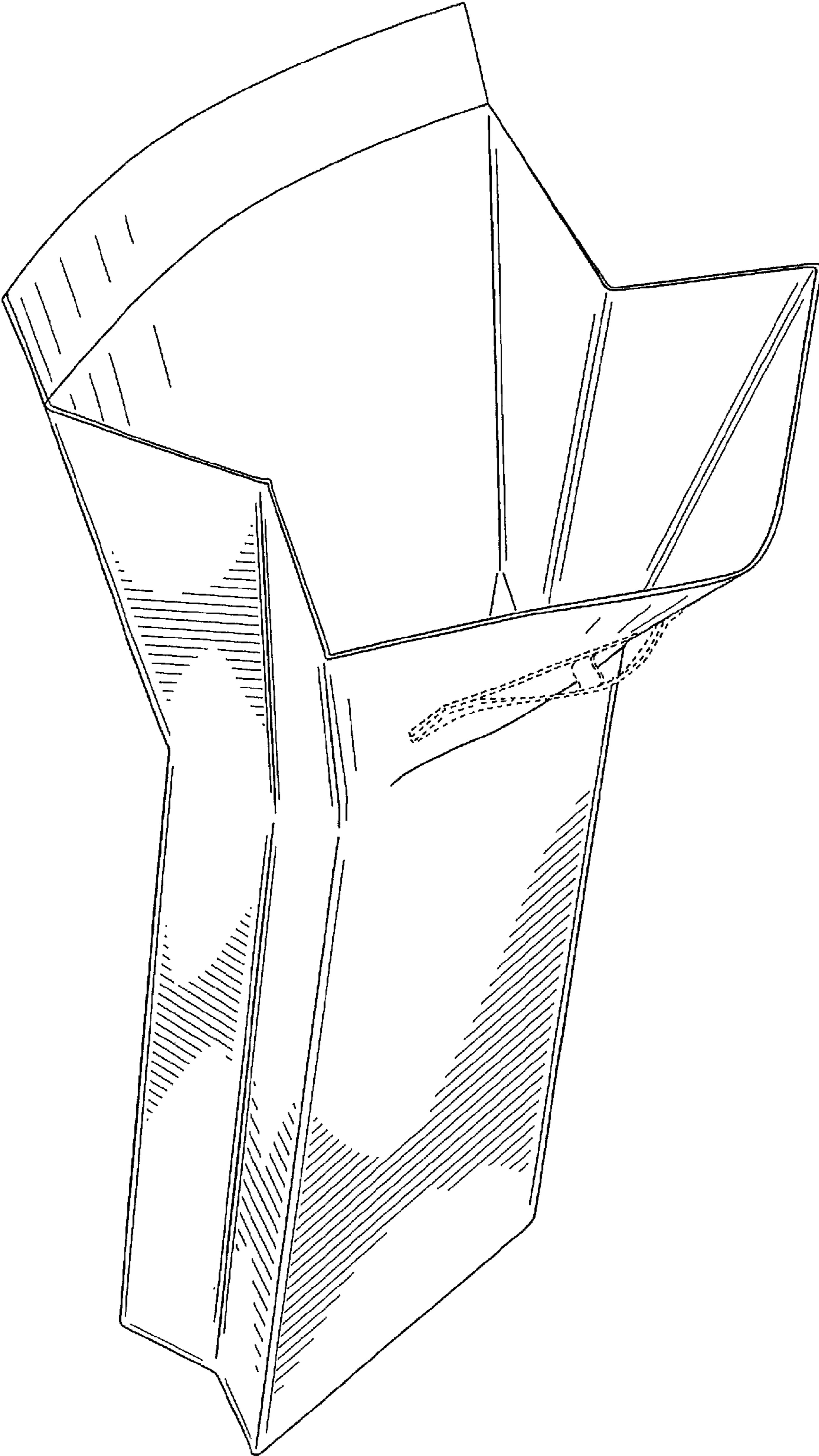


FIG. 1

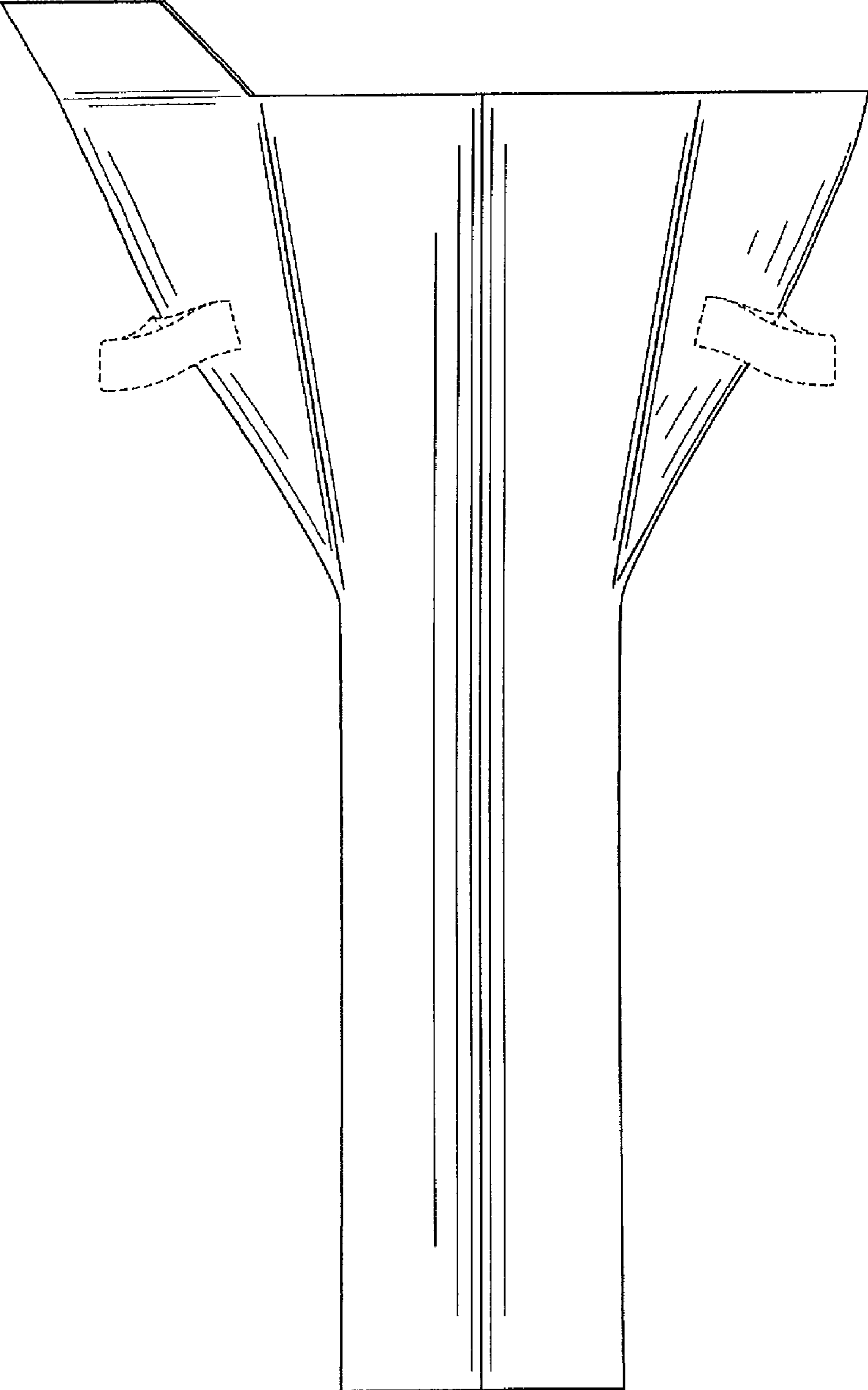


FIG. 2

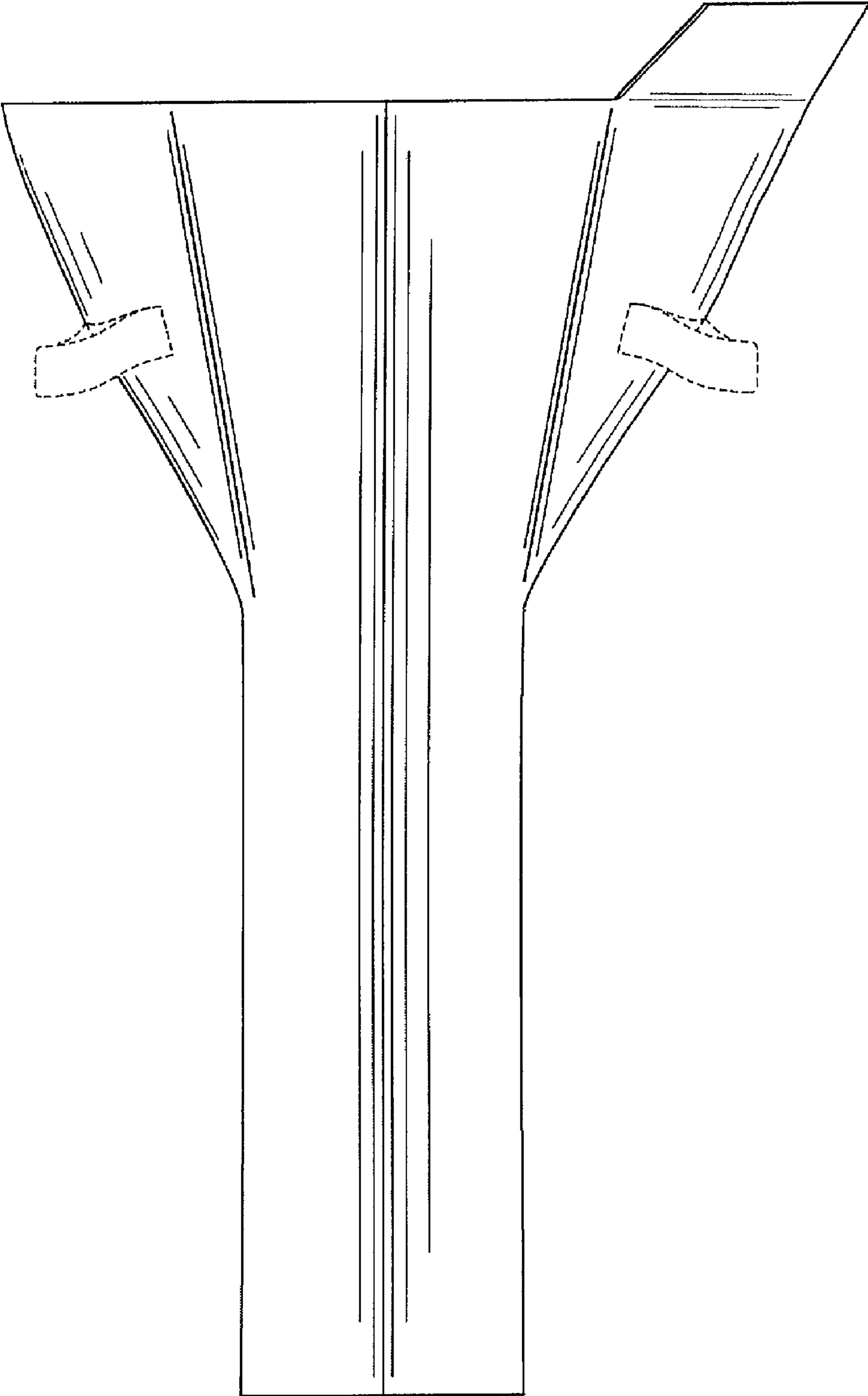


FIG. 3

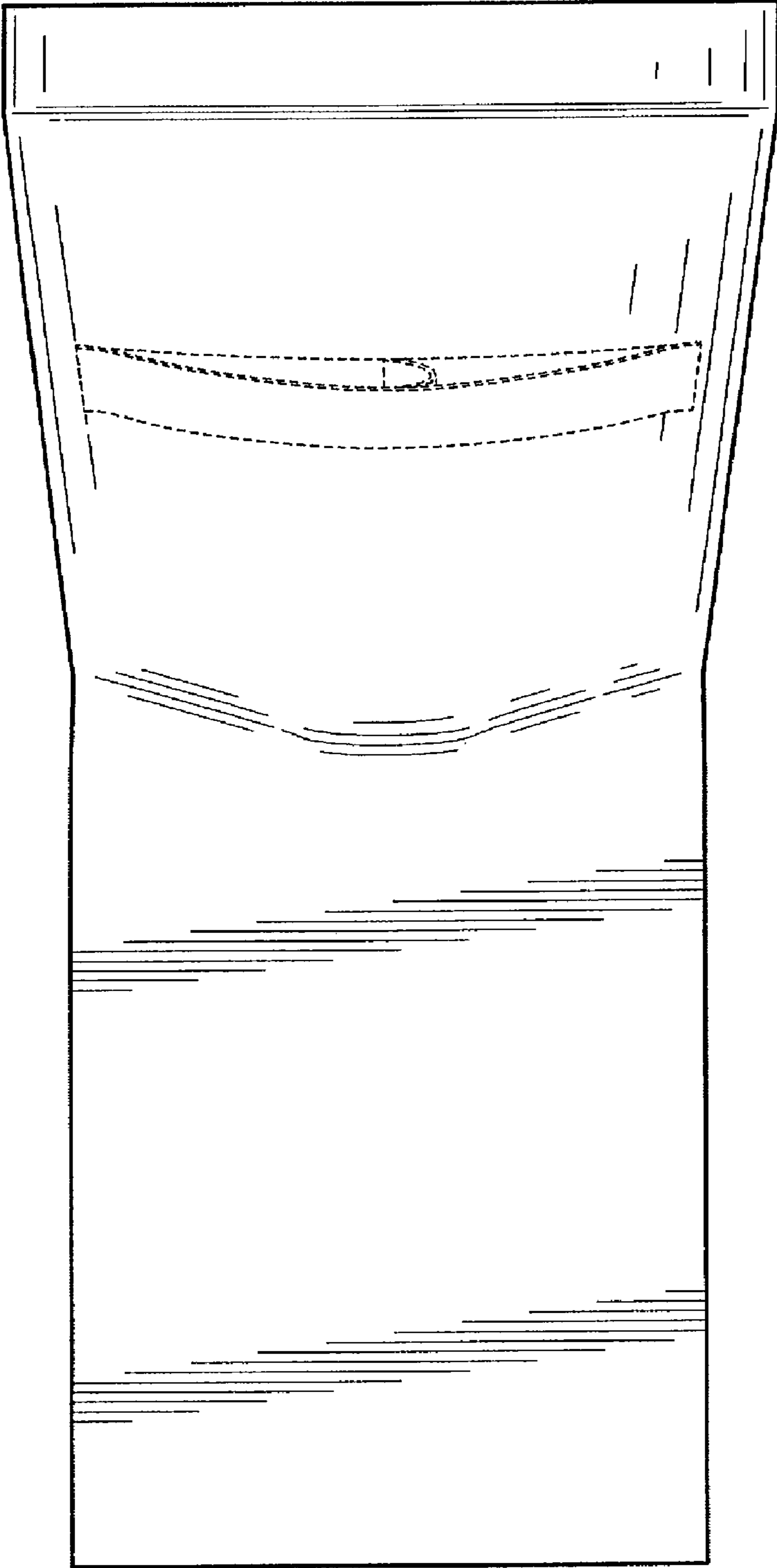


FIG. 4

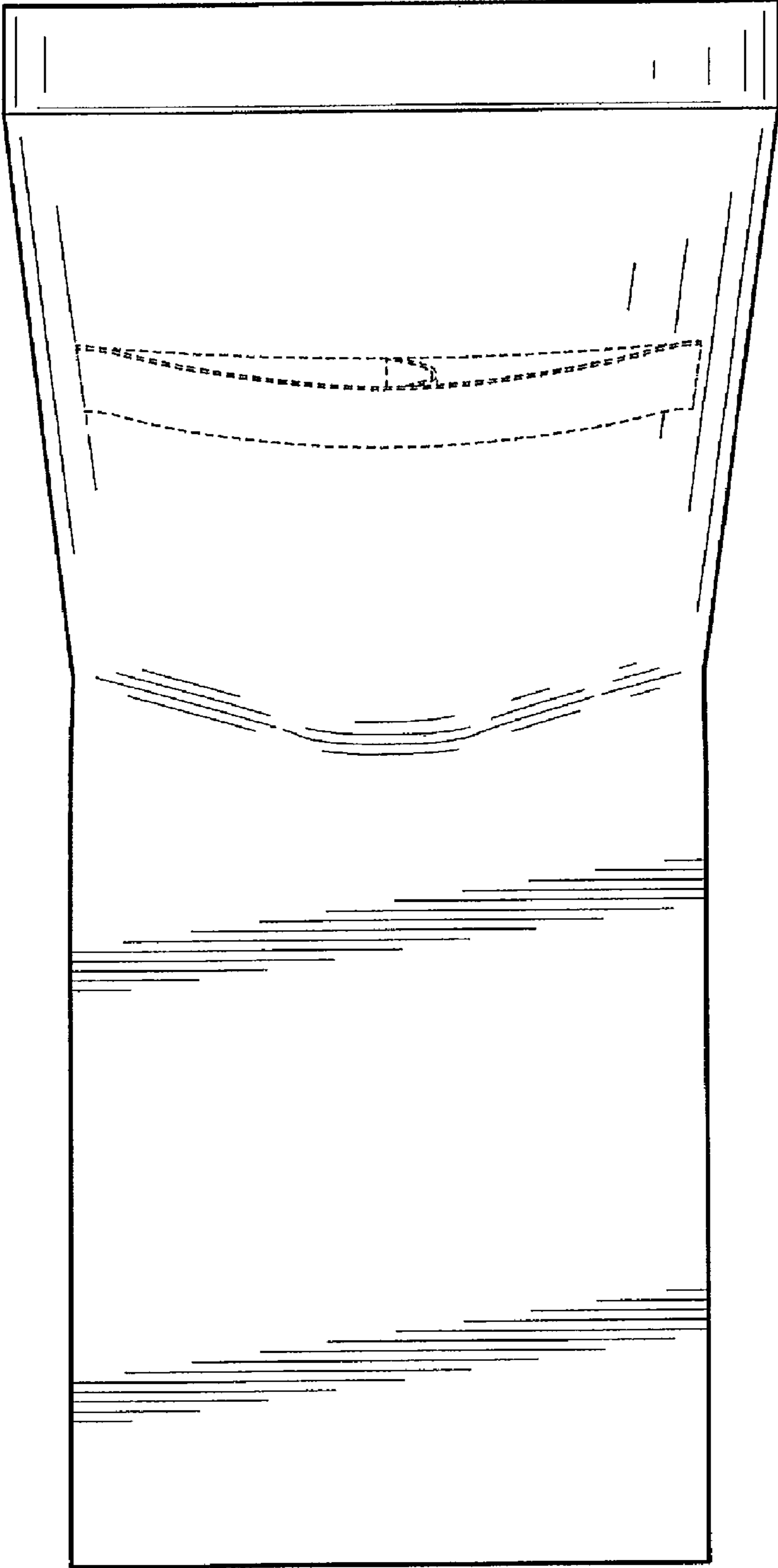


FIG. 5

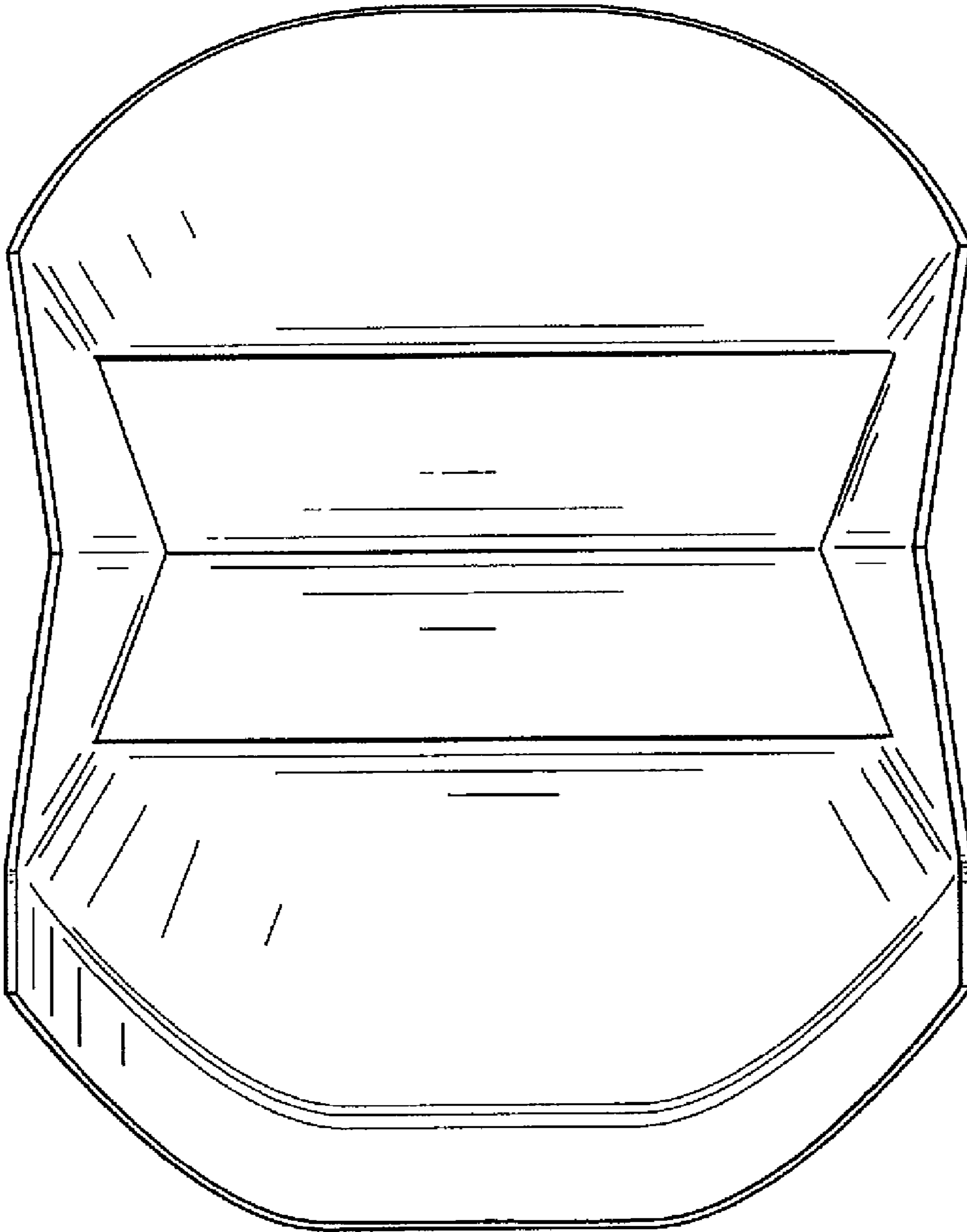


FIG. 6

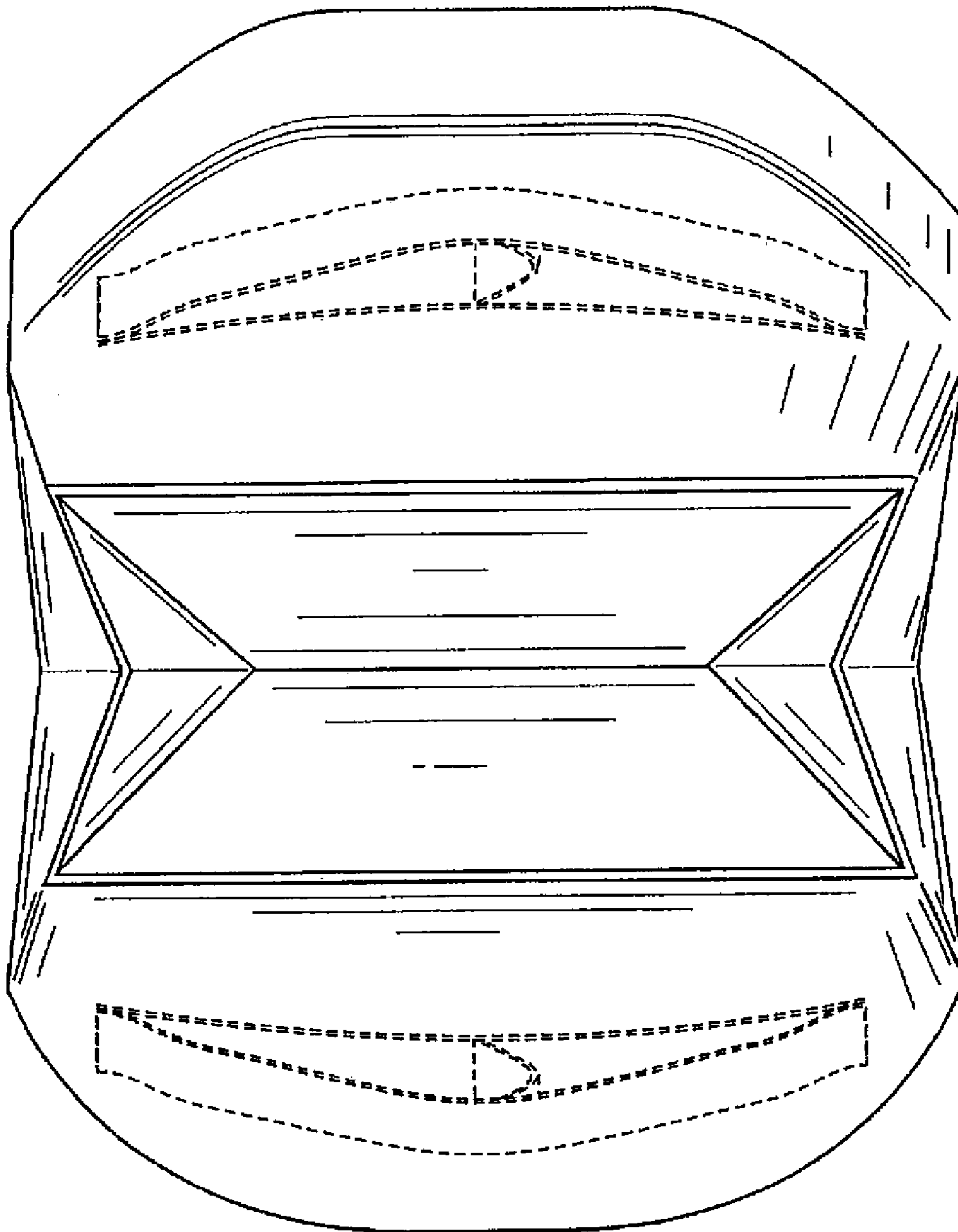


FIG. 7