



US00D580777S

(12) **United States Design Patent**
Caroen et al.

(10) **Patent No.:** **US D580,777 S**
(45) **Date of Patent:** **** Nov. 18, 2008**

(54) **AEROSOL CONTAINER**

(75) Inventors: **Adrian Barclay Caroen**, London (GB);
Paul Edward Backett, London (GB)

(73) Assignee: **Conopco Inc.**, Englewood Cliffs, NJ
(US)

(**) Term: **14 Years**

(21) Appl. No.: **29/285,996**

(22) Filed: **Apr. 19, 2007**

(30) **Foreign Application Priority Data**

Oct. 20, 2006 (EM) 000607775-0001

(51) **LOC (8) Cl.** **09-01**

(52) **U.S. Cl.** **D9/692**

(58) **Field of Classification Search** D9/682-694,
D9/500-505, 447-450; D28/76, 77, 88,
D28/89, 91.1; 222/182, 635, 153.01, 153.04,
222/153.09, 153.1, 153.11, 153.12, 153.13,
222/153.14, 321.6-321.9, 372, 373, 378,
222/379, 382, 383.1, 384-386, 401-402.25
See application file for complete search history.

(56) **References Cited**

U.S. PATENT DOCUMENTS

D188,882 S * 9/1960 Boris D9/688
D209,428 S * 11/1967 Charles D9/448
D218,553 S 9/1970 Nigro
3,848,778 A * 11/1974 Meshberg 222/402.11
4,324,351 A * 4/1982 Meshberg 222/402.11
4,454,966 A * 6/1984 Hicks 222/153.11
5,000,347 A * 3/1991 Tran 222/1
D319,968 S * 9/1991 Zintzmeyer D9/687
5,388,730 A * 2/1995 Abbott et al. 222/153.13

D437,548 S 2/2001 Desgrippes et al.
D467,165 S 12/2002 DeSimone
6,708,852 B2 * 3/2004 Blake 222/321.5
D508,208 S * 8/2005 Ozaki et al. D9/688
D510,025 S 9/2005 Venkataraman et al.
D525,132 S 7/2006 Todd
D541,169 S 4/2007 Ball et al.
D555,506 S 11/2007 Auer
D555,507 S 11/2007 Presche
D556,579 S 12/2007 Goto et al.
D563,796 S 3/2008 Rossignol

FOREIGN PATENT DOCUMENTS

WO WO 2007017039 A1 * 2/2007

* cited by examiner

Primary Examiner—Catherine Tuttle

(74) *Attorney, Agent, or Firm*—Karen E. Klumas

(57) **CLAIM**

The ornamental design for an aerosol container, as shown and described.

DESCRIPTION

FIG. 1 is a perspective view of an aerosol container showing our new design in its closed position;

FIG. 2 is a perspective view showing our design in its opened position;

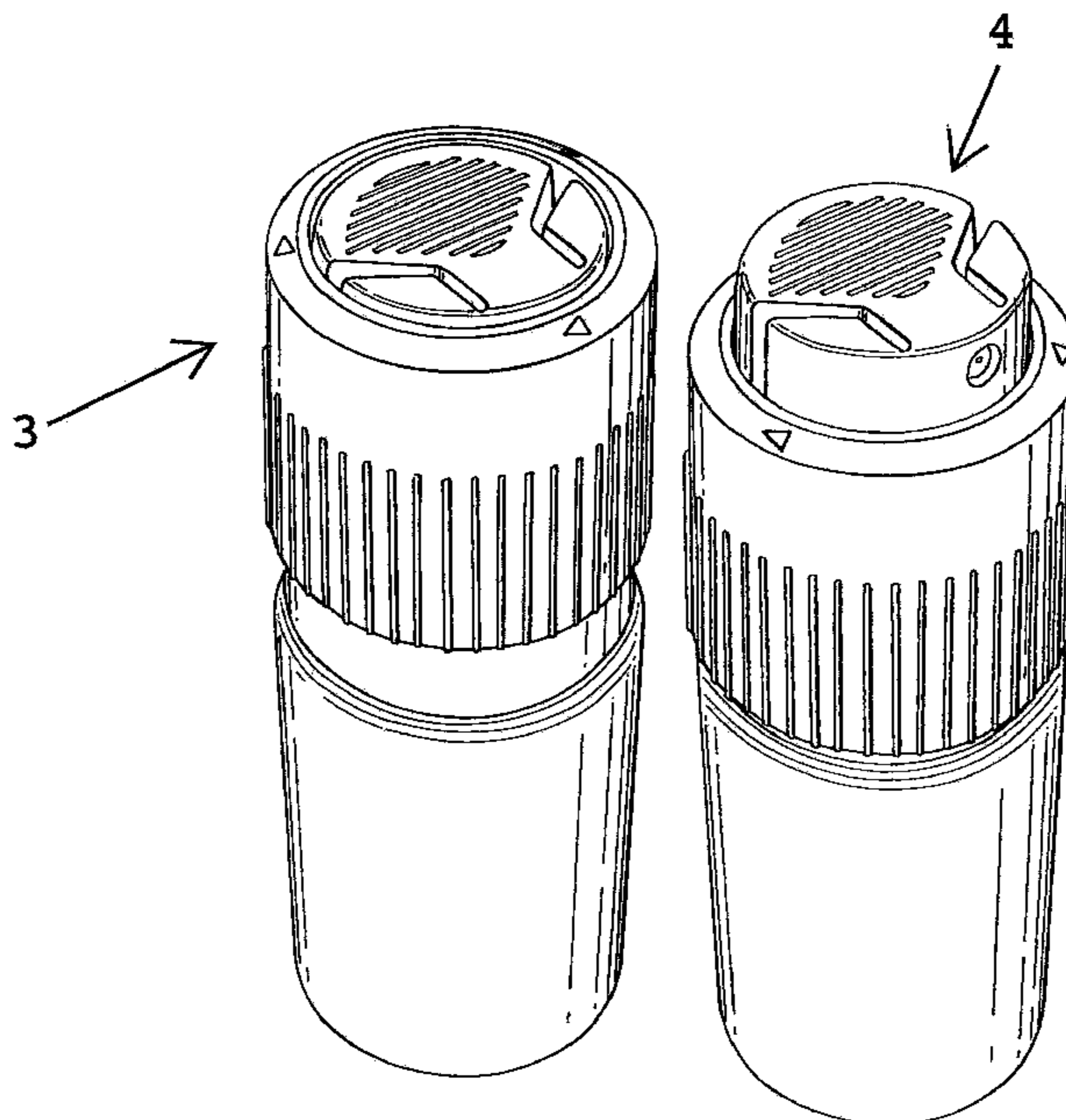
FIG. 3 is an elevational view of FIG. 1, seen in the direction of arrow 3;

FIG. 4 an elevational of FIG. 2 seen in the direction of arrow 4;

FIG. 5 is a top plan view of FIG. 1; and,

FIG. 6 is a bottom plan view of the design.

1 Claim, 5 Drawing Sheets



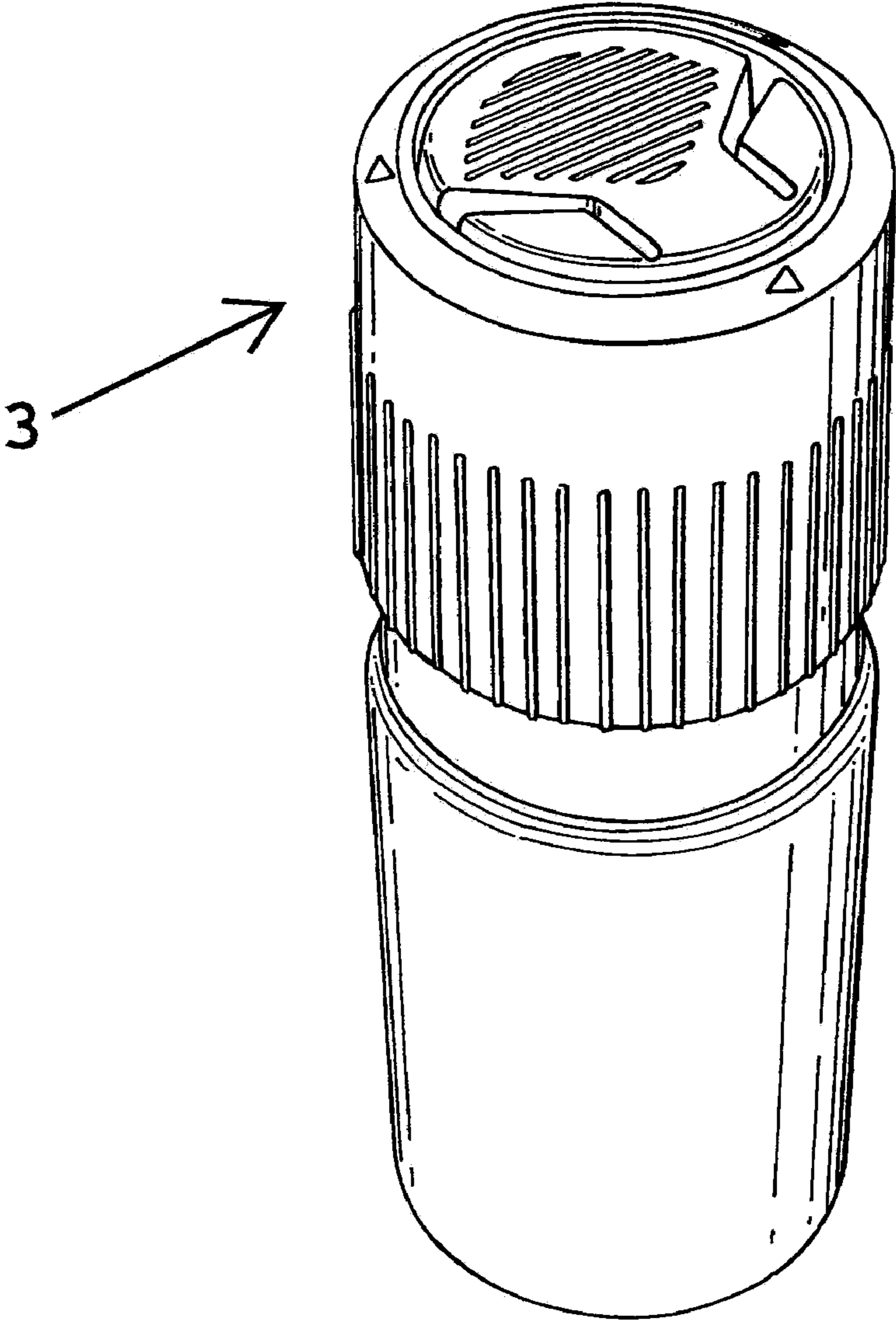


Fig. 1

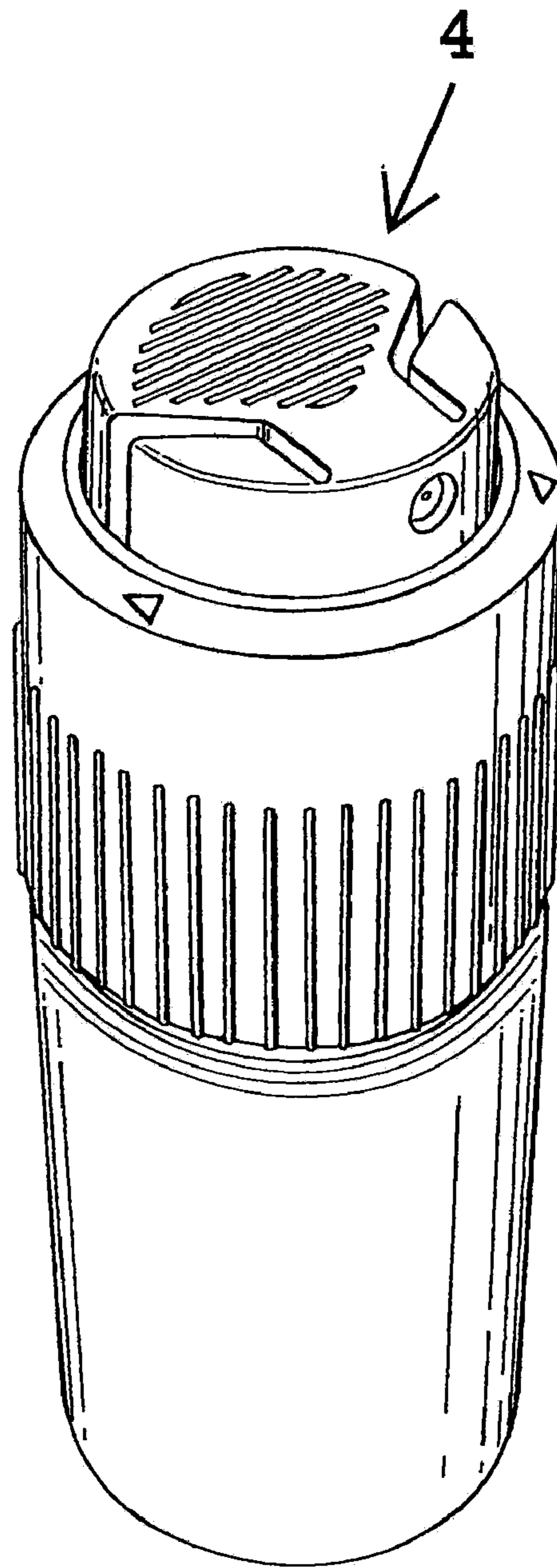


Fig. 2

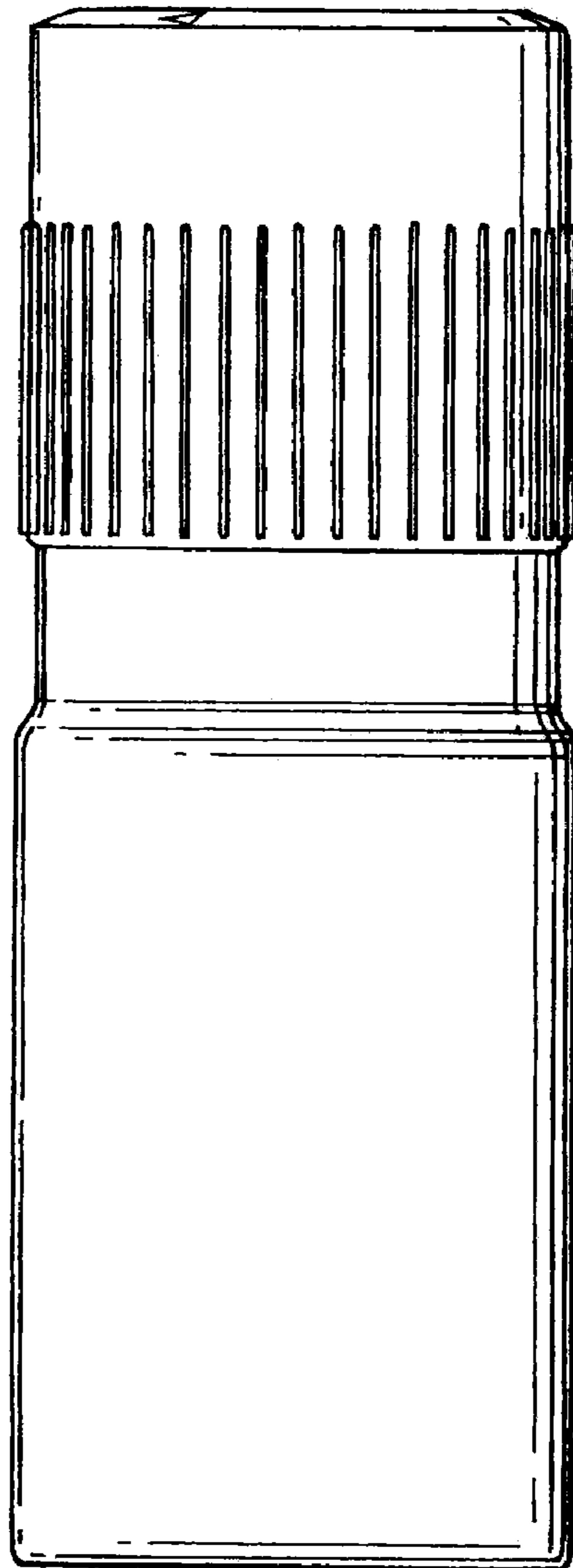


Fig. 3

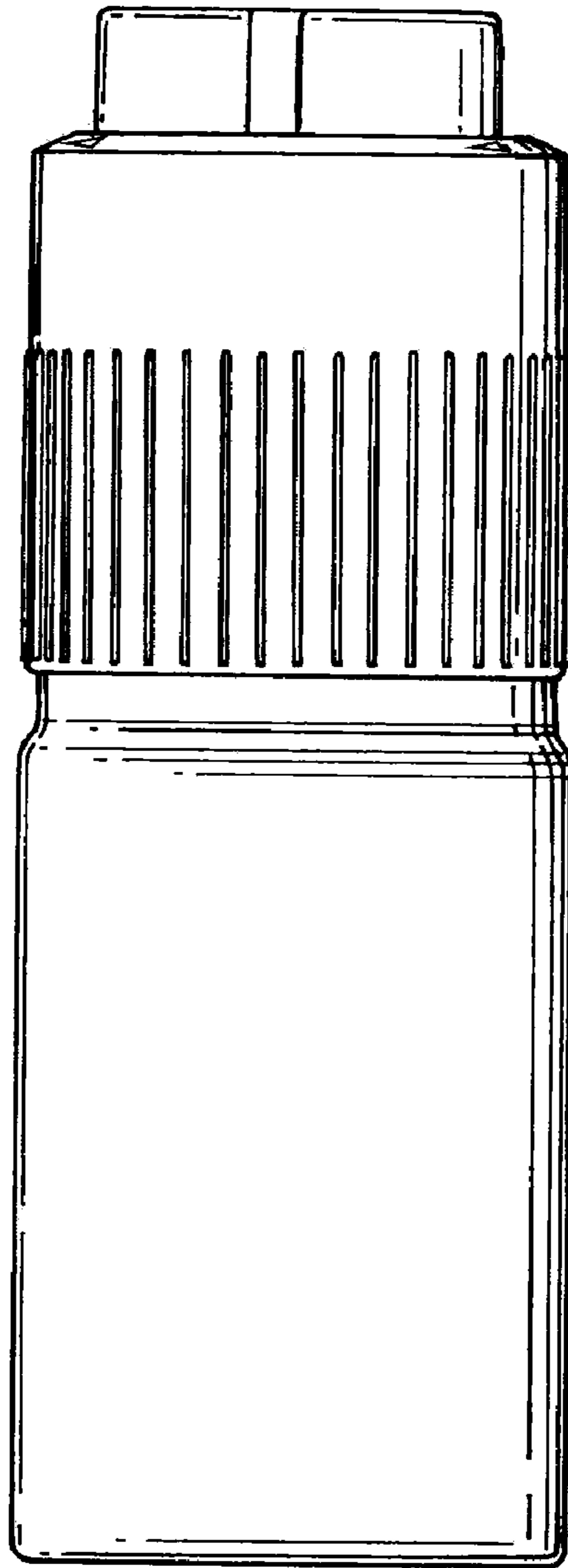


Fig. 4

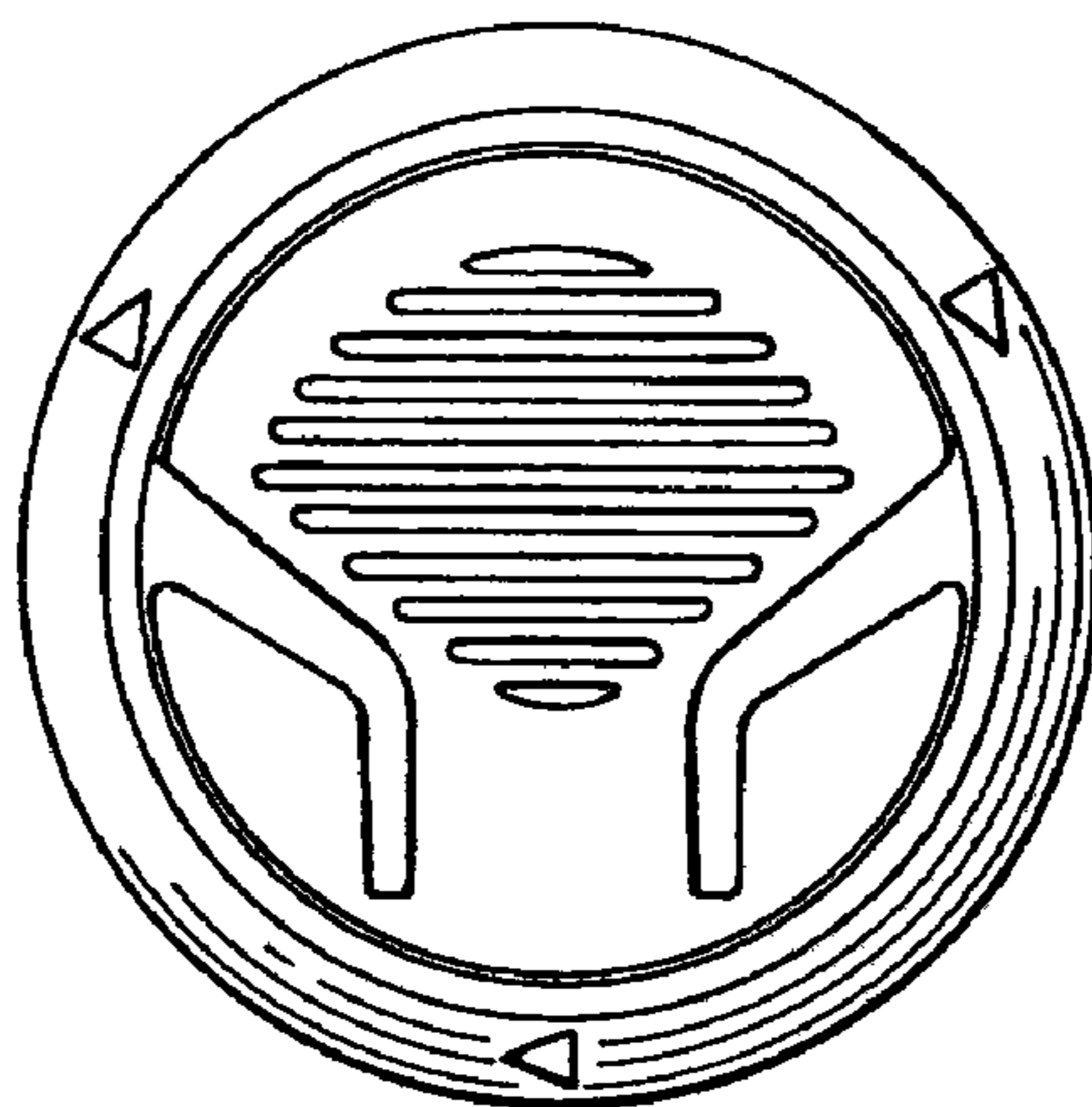


Fig. 5

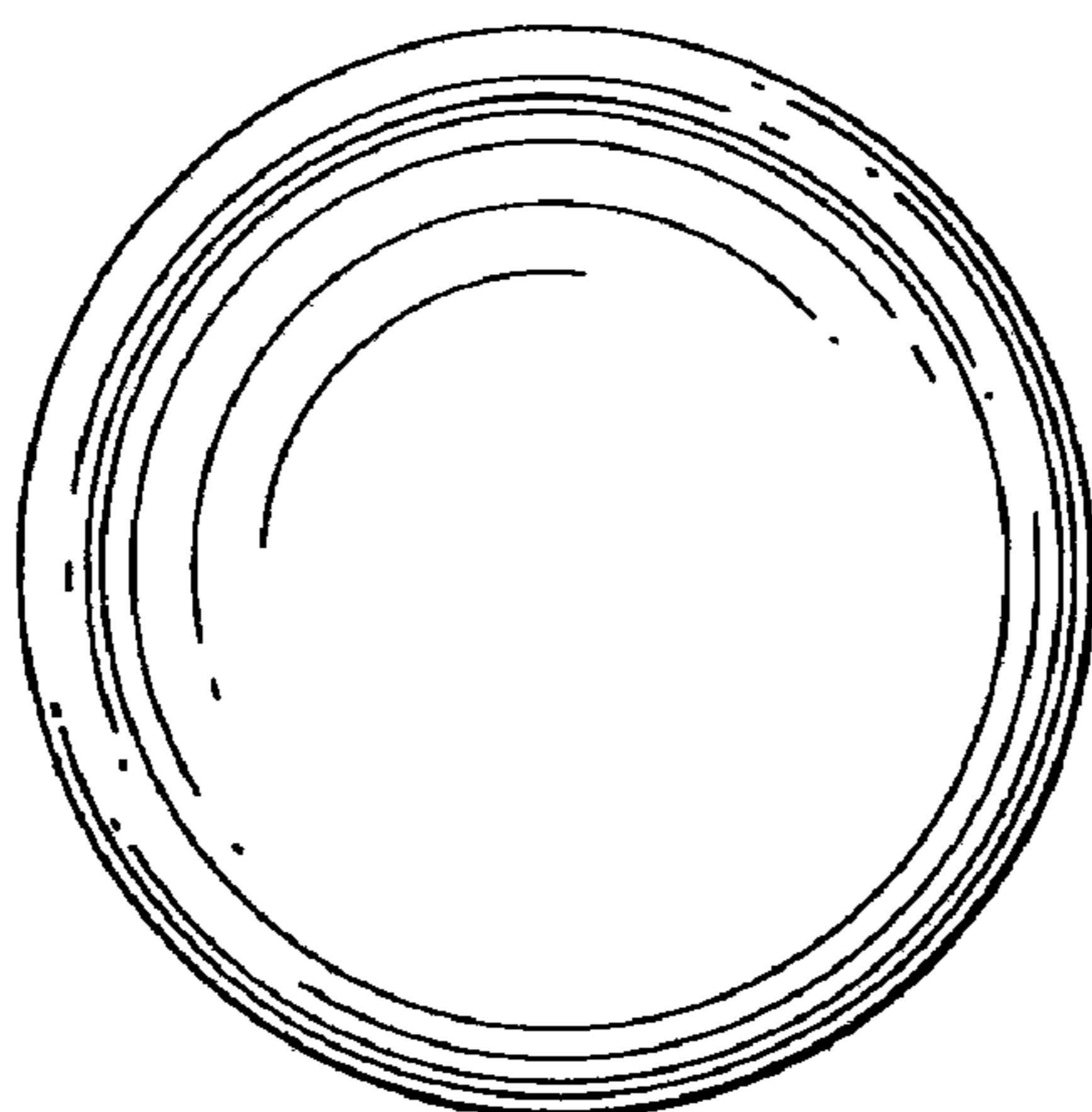


Fig. 6