



US00D580776S

(12) **United States Design Patent**
Claughton et al.

(10) **Patent No.:** **US D580,776 S**

(45) **Date of Patent:** **** Nov. 18, 2008**

(54) **AEROSOL DISPENSER**

(75) Inventors: **Andrew Claughton**, Leeds (GB); **Diego Iglesias**, Ciudad De Buenos Aires (AR); **Daniel Omar Gonzalez**, Buenos Aires (AR); **Günter Walter Kolanus**, Niedernhausen (DE); **Javier Eduardo Mateu**, Buenos Aires (AR); **Paul Dominic Priestman**, London (GB); **Bernd Rudolf Sichert**, Bad Soden (DE); **Martin Gabriel Urtubey**, Ciudad De Buenos Aires (AR)

(73) Assignee: **Conopco, Inc.**, Englewood Cliffs, NJ (US)

(**) Term: **14 Years**

(21) Appl. No.: **29/286,428**

(22) Filed: **May 4, 2007**

(51) **LOC (8) Cl.** **09-01**

(52) **U.S. Cl.** **D9/688**

(58) **Field of Classification Search** D9/682-694, D9/516-575, 447-450; 222/153.01, 153.03, 222/153.04, 153.09, 153.11-153.14, 631, 222/635, 209, 211-213, 215, 321.7-321.9, 222/372, 373, 378, 379, 383.1, 384-386, 222/398, 400.7, 400.8, 401, 402.1-402.25; 220/669, 670, 915

See application file for complete search history.

(56) **References Cited**

U.S. PATENT DOCUMENTS

D206,692	S	*	1/1967	Pizzuro	D9/448
D210,574	S	*	3/1968	Abplanalp et al.	D9/448
D219,333	S	*	12/1970	Doblin	D9/688
3,642,179	A	*	2/1972	Micallef	222/402.12
3,749,286	A	*	7/1973	Douglas	222/153.11
D306,969	S		4/1990	Alberghini et al.	D9/378
D313,345	S	*	1/1991	Wefler	D9/689
5,141,120	A		8/1992	Brown et al.	215/1
5,325,999	A	*	7/1994	Gueret	222/212
D388,319	S	*	12/1997	Lamb	D9/688
D437,548	S	*	2/2001	Desgrippes et al.	D9/688
D445,177	S		7/2001	Cogger	D24/120

6,318,583	B1	*	11/2001	Owens	220/672
6,318,595	B1	*	11/2001	Walters	222/1
D460,917	S		7/2002	Trabal	D9/551
D470,772	S		2/2003	Egger	D9/537
D480,005	S		9/2003	Conway	D9/530
D482,620	S		11/2003	Kleckauskas et al.	D9/530
D490,699	S	*	6/2004	Nelson et al.	D9/689
D492,193	S	*	6/2004	Miller et al.	D9/688
D511,302	S	*	11/2005	Lamb et al.	D9/689
D536,255	S		2/2007	Corbett et al.	D9/538
D541,665	S		5/2007	Druart	D9/614
D543,116	S		5/2007	Heisner	D9/540
D547,660	S		7/2007	Lepoitevin	D9/516
D554,512	S	*	11/2007	Nukuto et al.	D9/529
D554,999	S	*	11/2007	Nukuto et al.	D9/521
D559,112	S	*	1/2008	Hyde et al.	D9/538
2006/0255005	A1		11/2006	Melrose et al.	215/381

OTHER PUBLICATIONS

Co-pending Application: Applicant: Gonzalez et al., U.S. Appl. No. 29/286,411, filed May 4, 2007.

Co-pending Application: Applicant: Gonzalez et al., U.S. Appl. No. 29/286,409, filed May 4, 2007.

Co-pending Application: Applicant: Gonzalez et al., U.S. Appl. No. 29/286,408, filed May 4, 2007.

Co-pending Application: Applicant: Gonzalez et al., U.S. Appl. No. 29/286,410, filed May 4, 2007.

* cited by examiner

Primary Examiner—Catherine Tuttle

(74) *Attorney, Agent, or Firm*—Karen E. Klumas

(57) **CLAIM**

The ornamental design for an aerosol dispenser, as shown and described.

DESCRIPTION

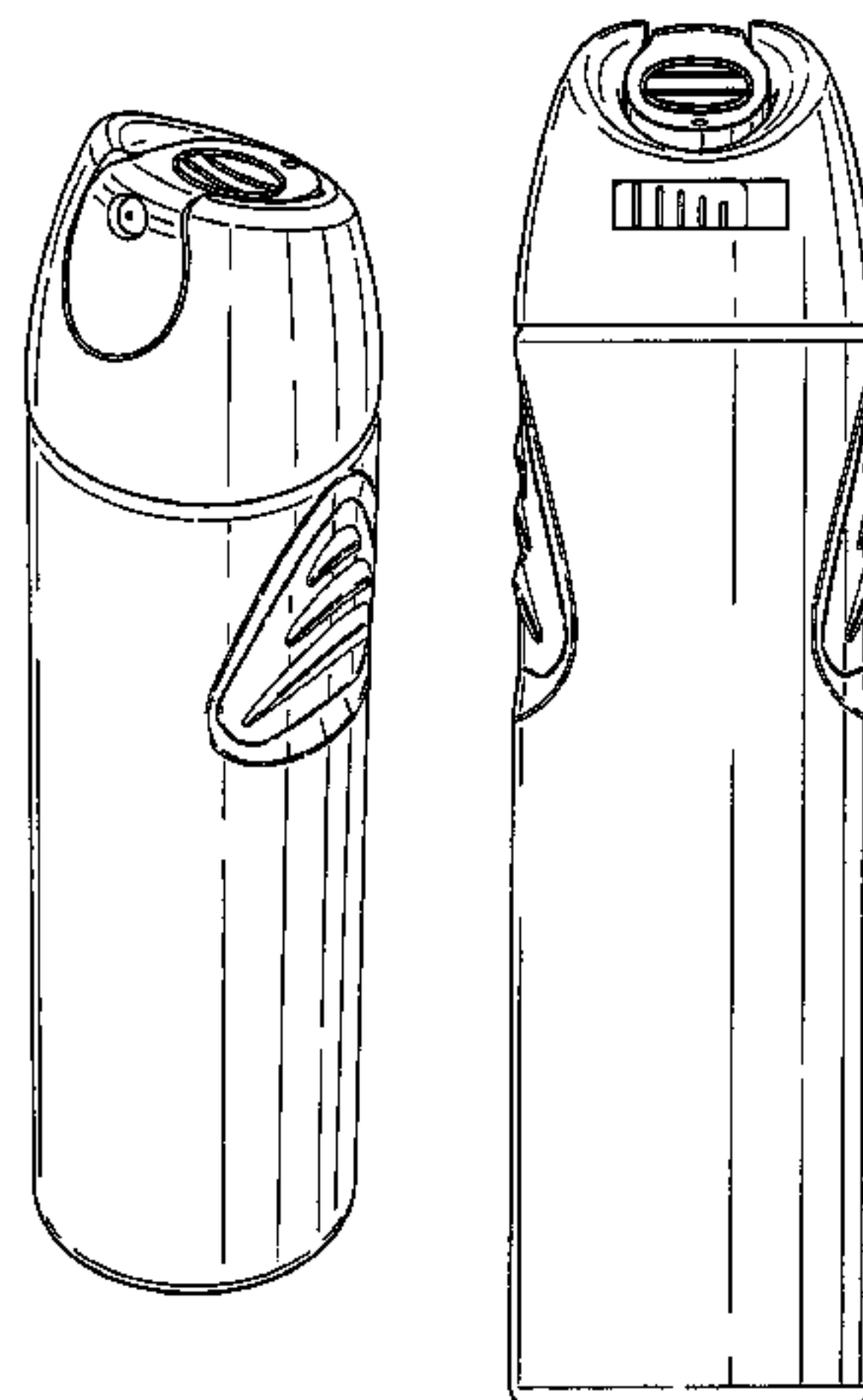
FIG. 1 is a top, front and side perspective view of an aerosol dispenser showing our new design;

FIG. 2 is a rear view of our aerosol dispenser;

FIG. 3 is a view of the other side of our aerosol dispenser; and,

FIG. 4 is a top plan view of our aerosol dispenser.

1 Claim, 2 Drawing Sheets



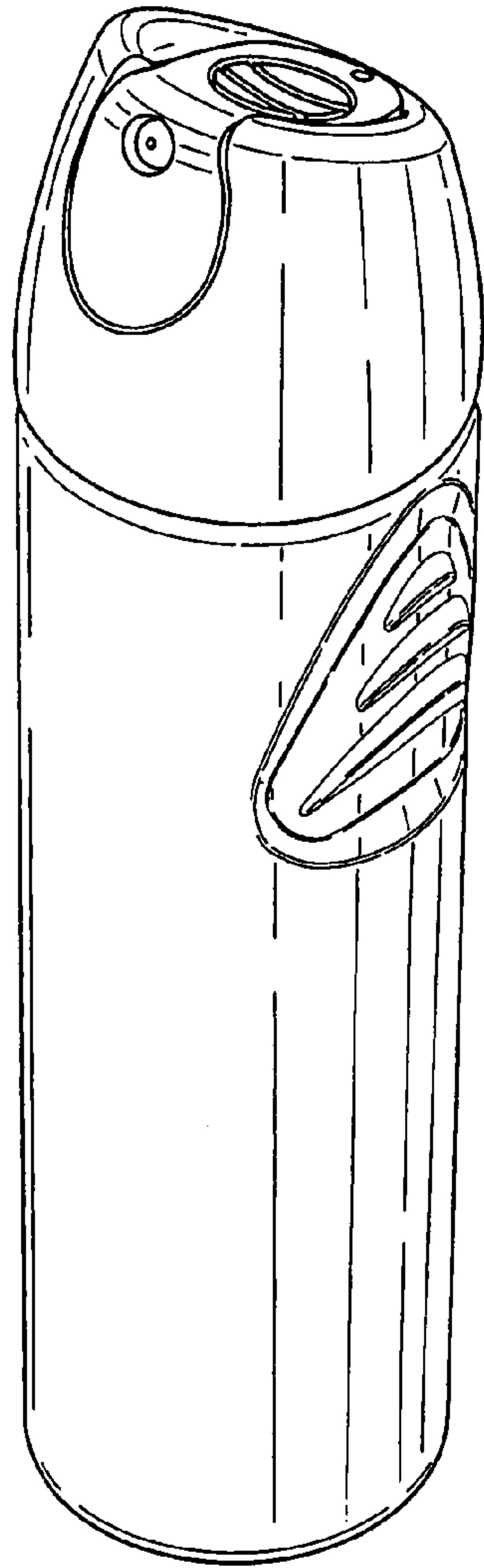


Fig. 1.

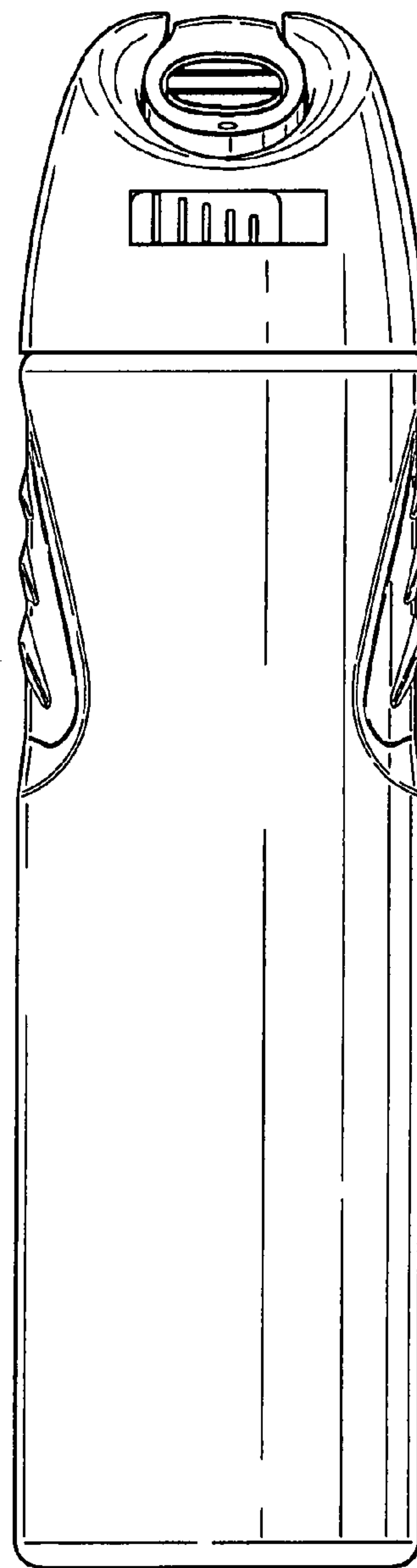


Fig. 2.

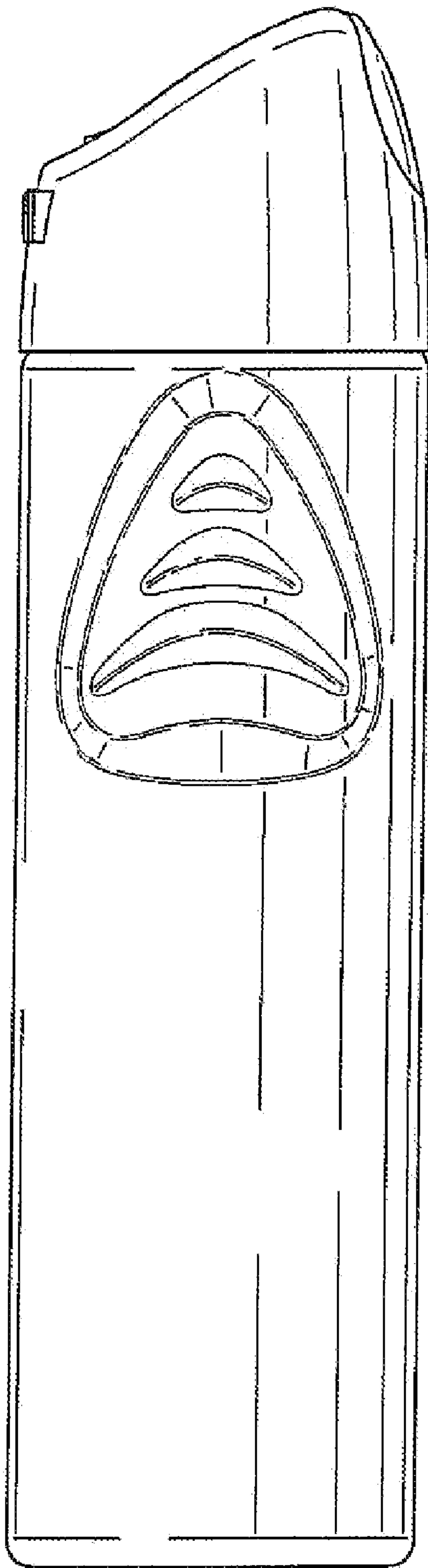


Fig.3.

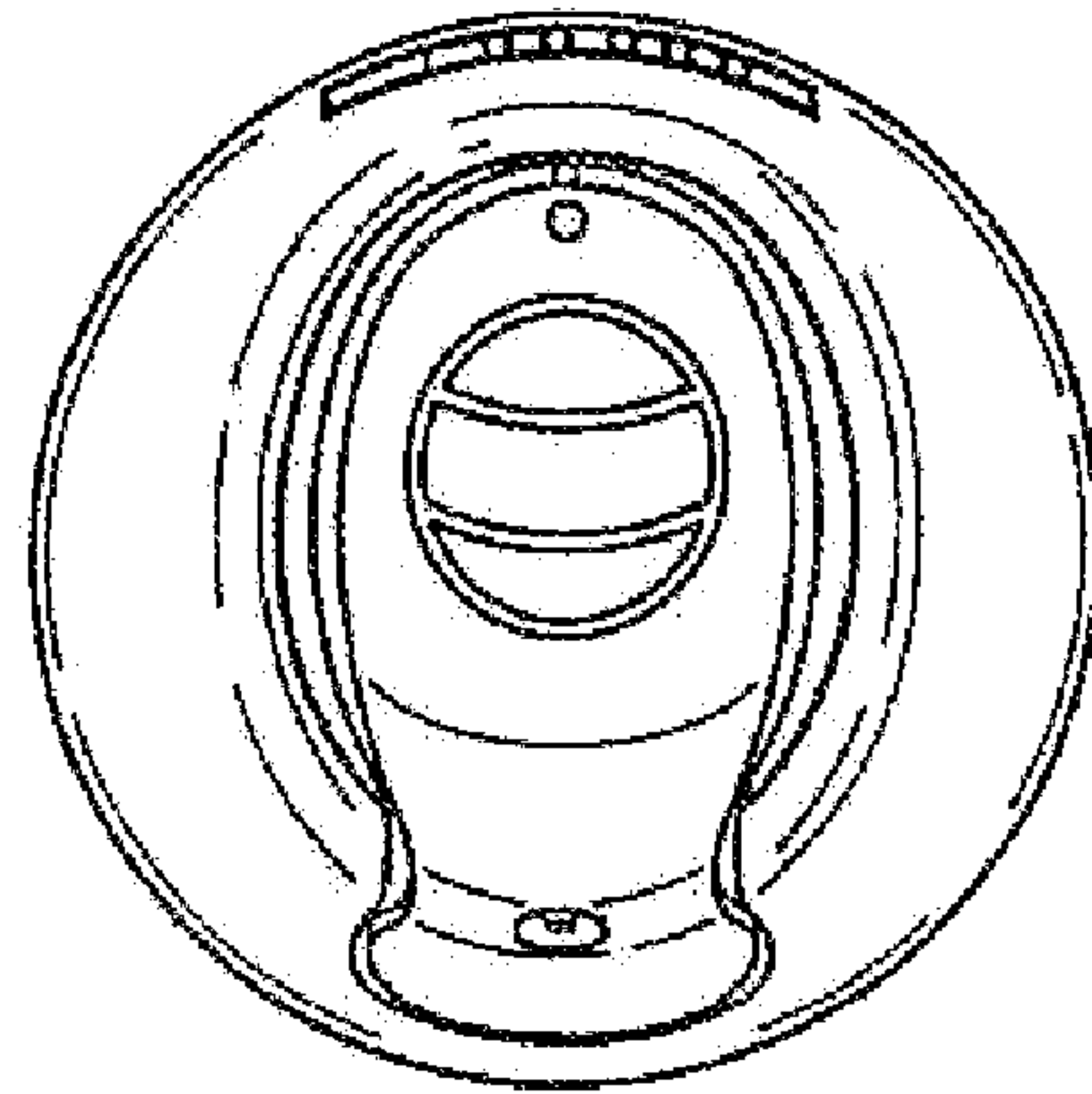


Fig.4.