



US00D580768S

(12) **United States Design Patent**
Ferguson et al.

(10) **Patent No.:** **US D580,768 S**
(45) **Date of Patent:** **** Nov. 18, 2008**

(54) **PLASTIC CONTAINER**

(74) *Attorney, Agent, or Firm*—Dykema Gossett PLLC

(75) Inventors: **Gary Ferguson**, Tallmadge, OH (US);
Christopher E Kaminski, North
Royalton, OH (US); **Anthony DeSico**,
Rochester Hills, MI (US); **Ryan**
Zamora, Westland, MI (US)

(57) **CLAIM**

The ornamental design for a plastic container, as shown and described.

(73) Assignee: **Plastipak Packaging, Inc.**, Plymouth,
MI (US)

DESCRIPTION

FIG. 1 is a perspective view of the plastic container of the present invention showing the top, front and left side of our new design;

(**) Term: **14 Years**

FIG. 2 is a perspective view thereof showing the top, rear and left side;

(21) Appl. No.: **29/301,345**

FIG. 3 is a front elevation view thereof;

(22) Filed: **Feb. 25, 2008**

FIG. 4 is a rear elevation view thereof;

(51) **LOC (8) Cl.** **09-01**

FIG. 5 is a right side elevation view thereof;

(52) **U.S. Cl.** **D9/528**

FIG. 6 is a left side elevation view thereof;

(58) **Field of Classification Search** D9/528,
D9/529, 531, 532, 535, 550, 563, 572, 574,
D9/575; 215/382–385, 396, 398; 222/465.1,
222/568

FIG. 7 is a top plan view thereof;

FIG. 8 is a bottom plan view thereof;

See application file for complete search history.

FIG. 9 is an alternate embodiment of the plastic container of the present invention showing the top, front and left side thereof;

(56) **References Cited**

FIG. 10 is a perspective view showing the top, rear and left side thereof;

U.S. PATENT DOCUMENTS

D264,308 S *	5/1982	Campbell	D9/528
5,111,979 A *	5/1992	Athar	222/568
D351,347 S *	10/1994	Ring	D9/528
D378,664 S *	4/1997	Feen	D9/528
D380,682 S *	7/1997	Robinson	D9/528
D397,036 S *	8/1998	Katakouzinou	D9/520
D470,417 S *	2/2003	Anderson	D9/531
D514,941 S *	2/2006	Darr et al.	D9/528

FIG. 11 is a front elevation view thereof;

FIG. 12 is a rear elevation view thereof;

FIG. 13 is a right side elevation view thereof;

FIG. 14 is a left side elevation view thereof;

FIG. 15 is a top plan view thereof; and,

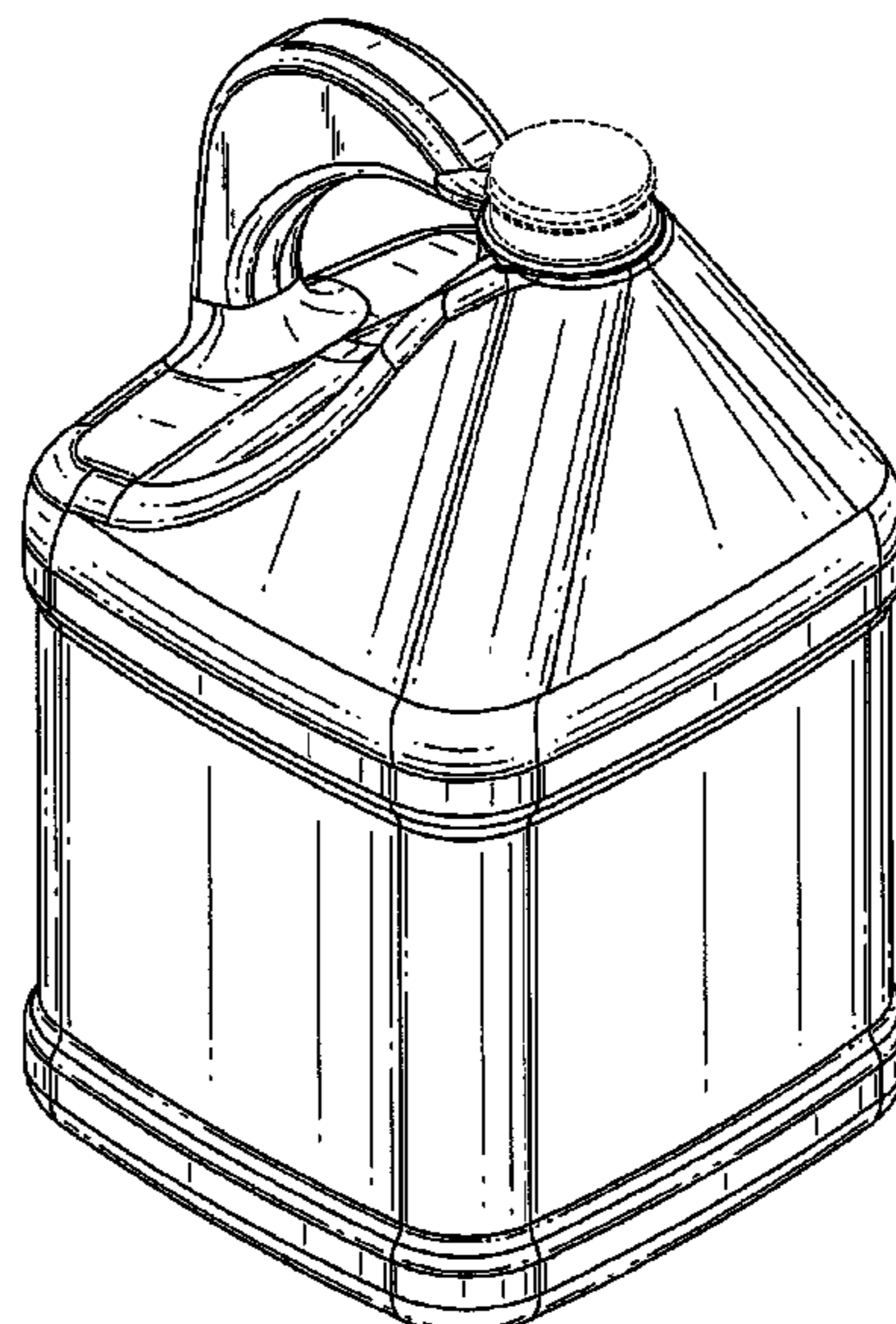
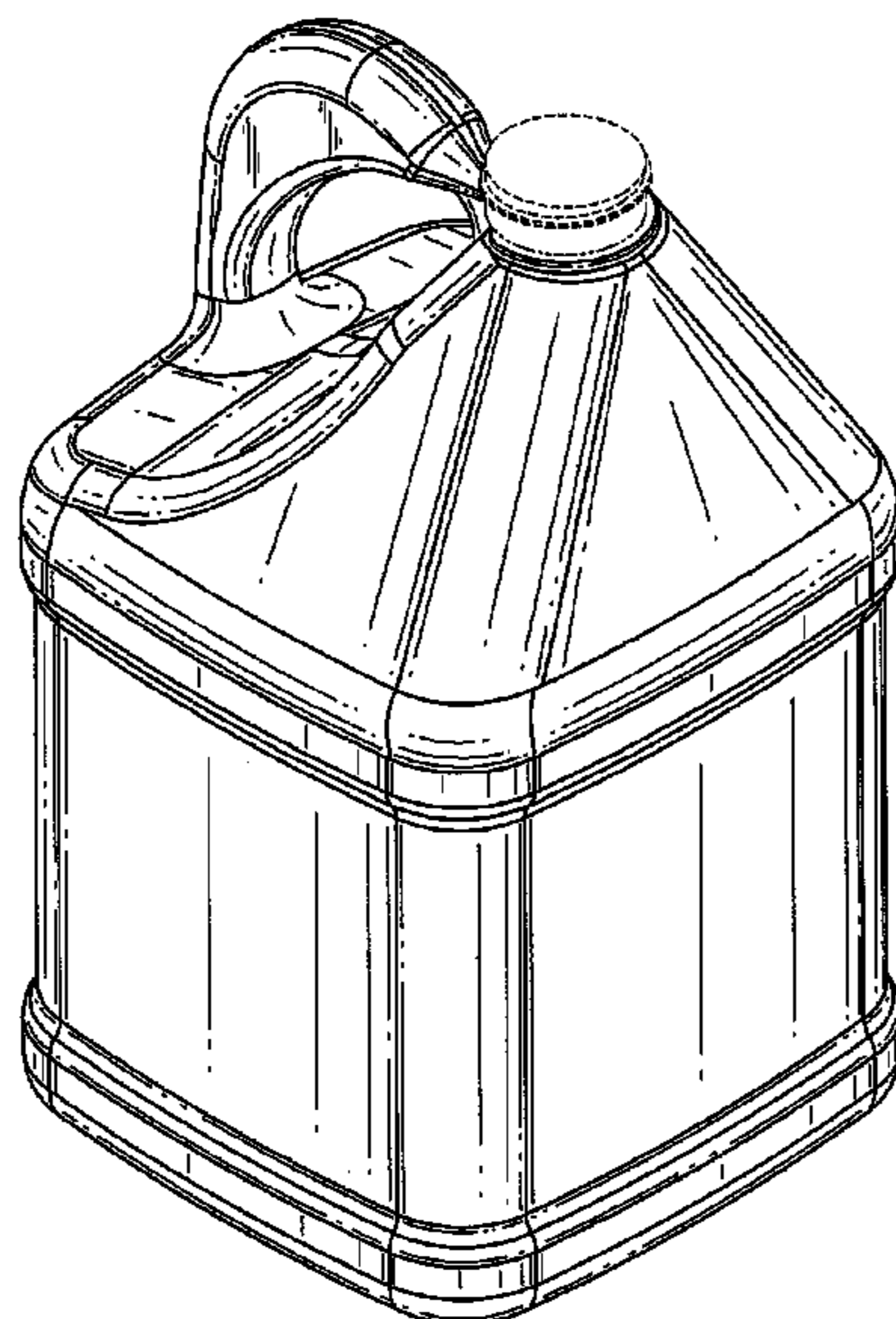
FIG. 16 is a bottom plan view thereof.

* cited by examiner

The broken lines shown in the drawings are for illustrative purposes only and form no part of the claimed design.

Primary Examiner—Mitchell I. Siegel
Assistant Examiner—Shanda C Hill

1 Claim, 8 Drawing Sheets



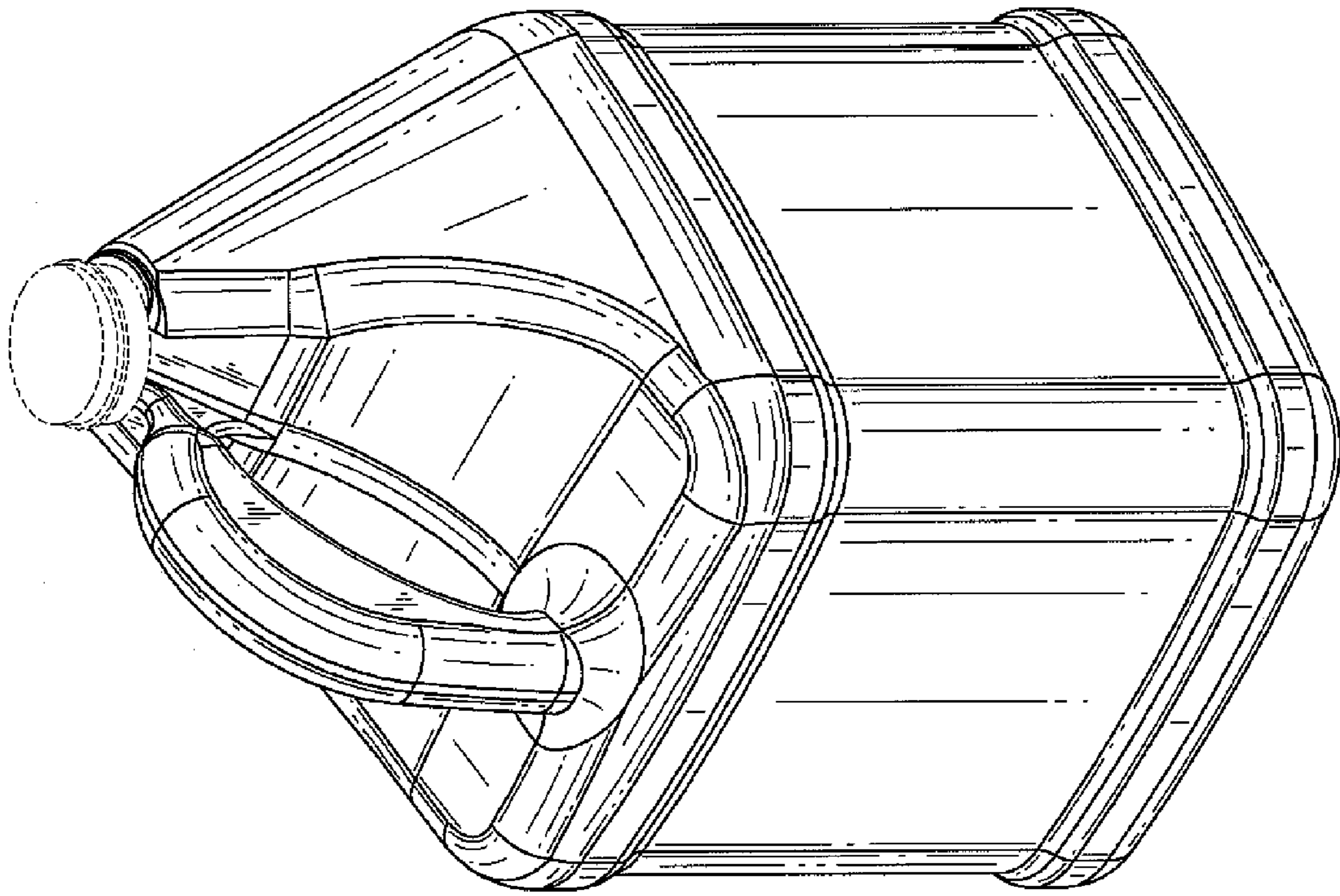


FIG. 1

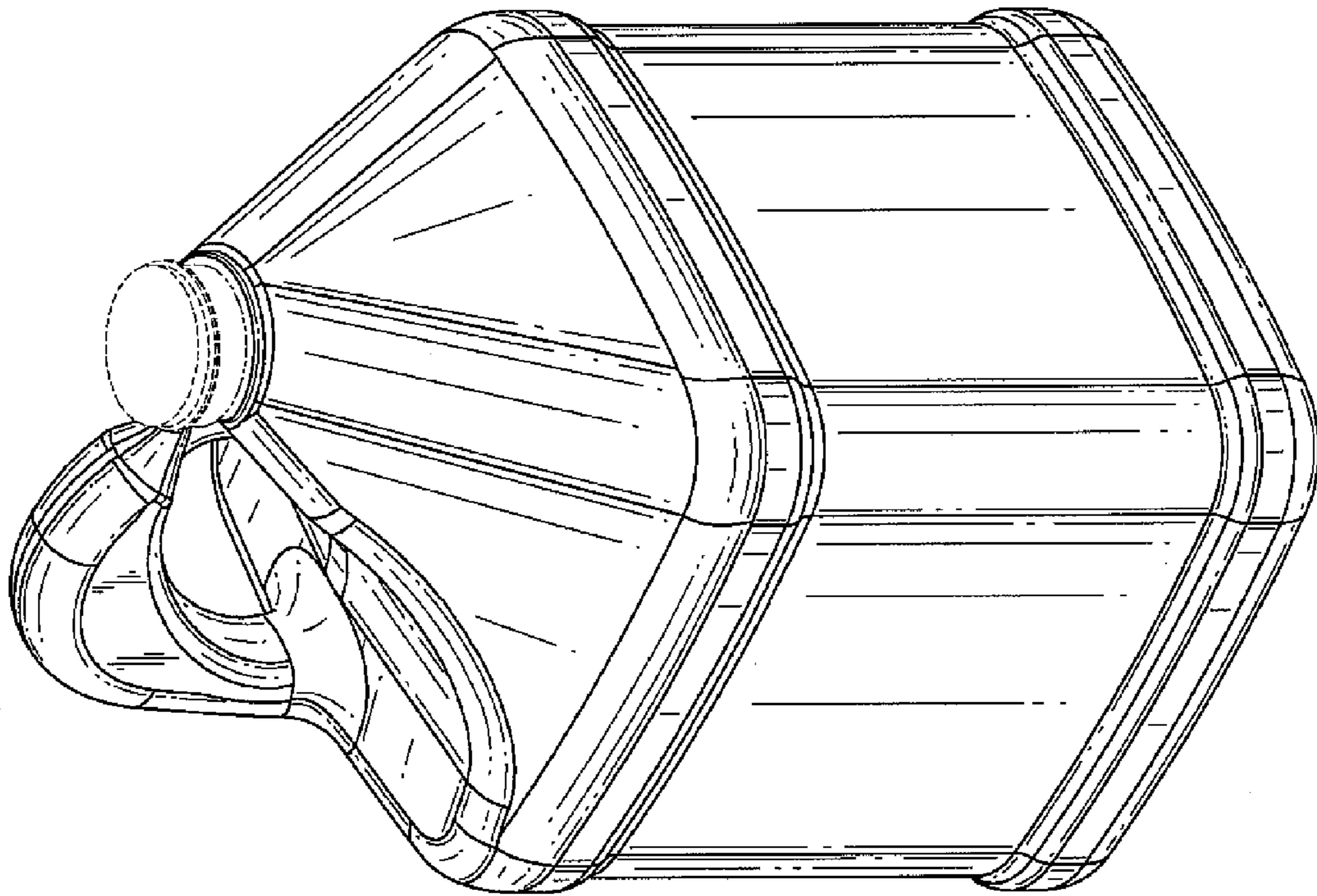


FIG. 2

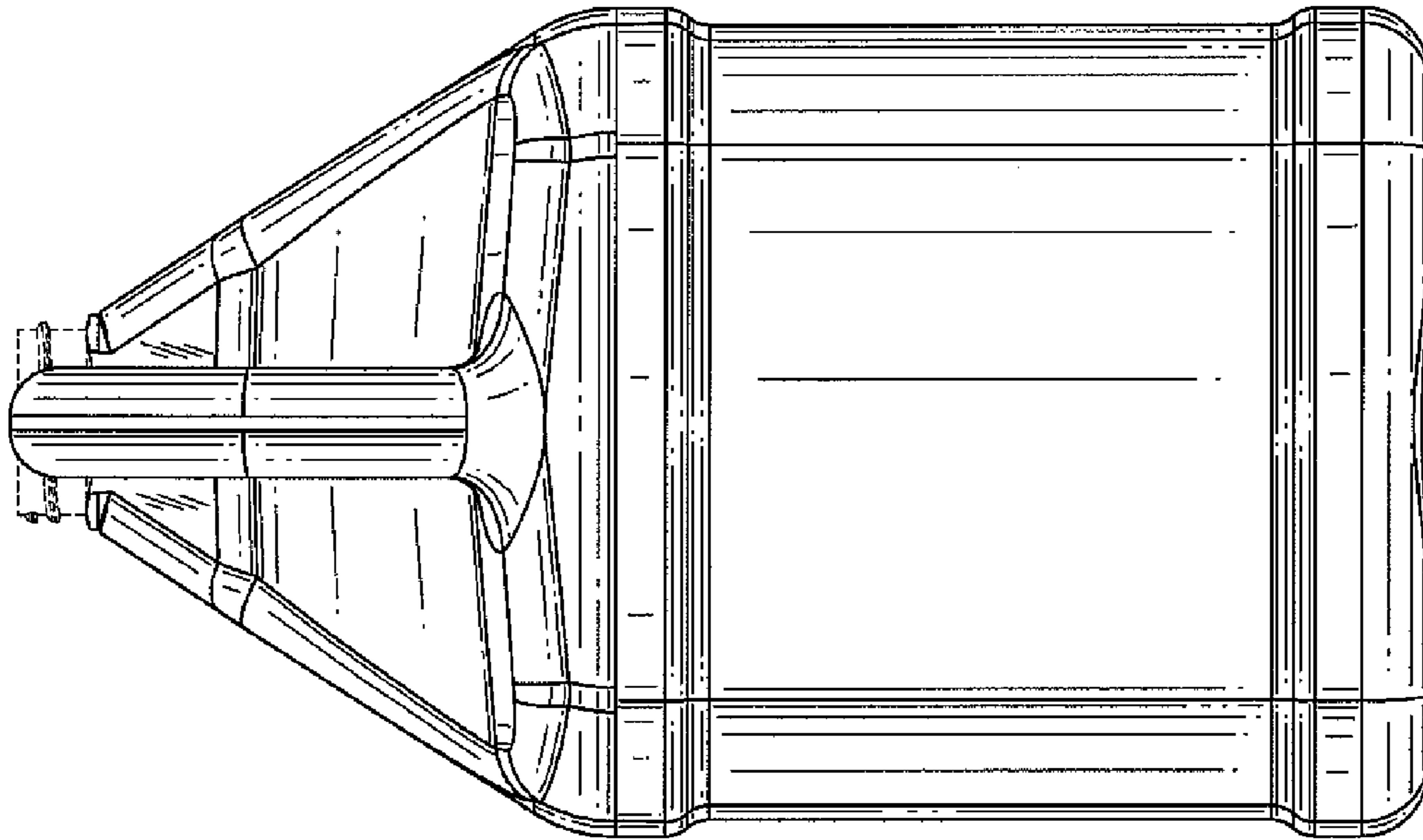


FIG. 4

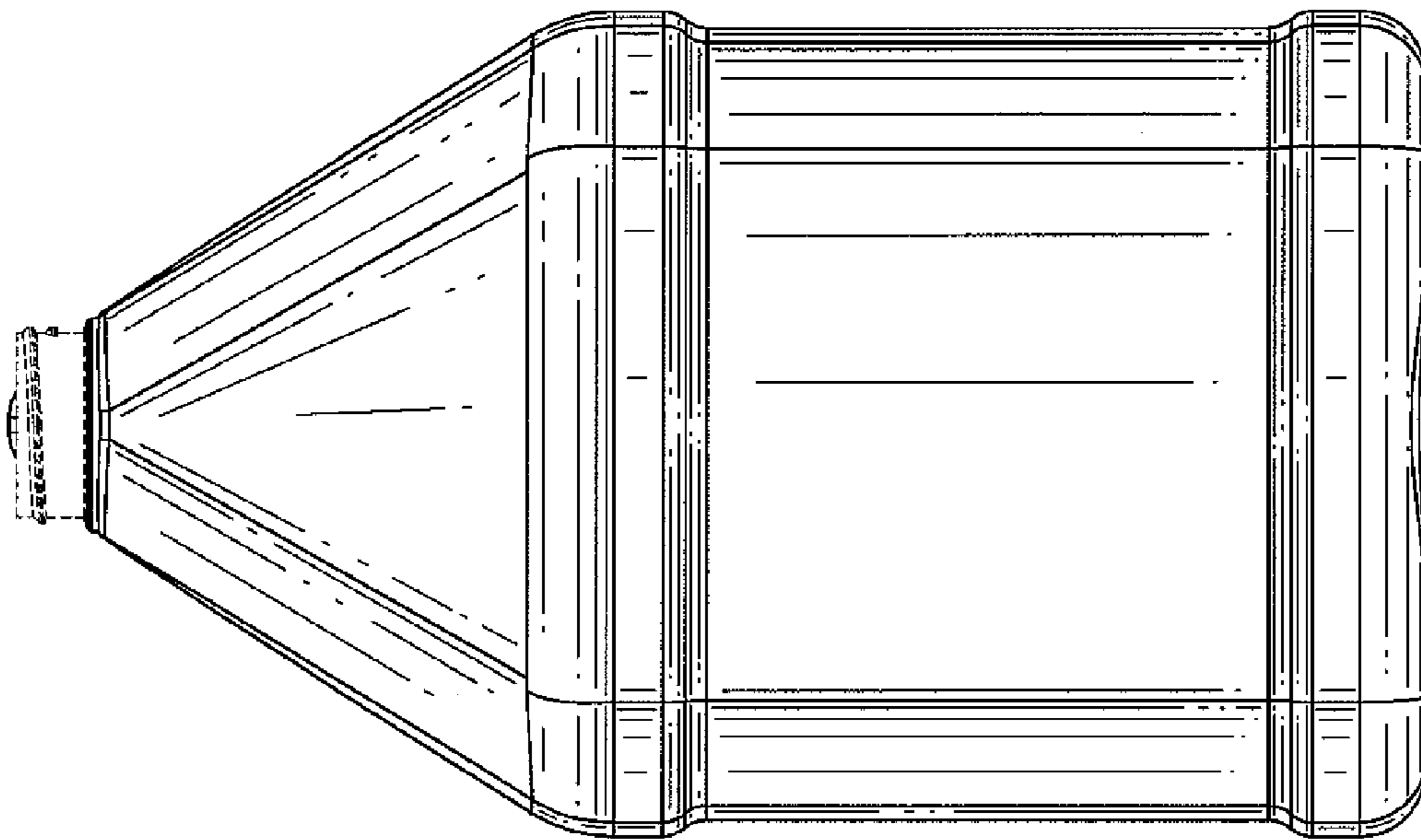


FIG. 3

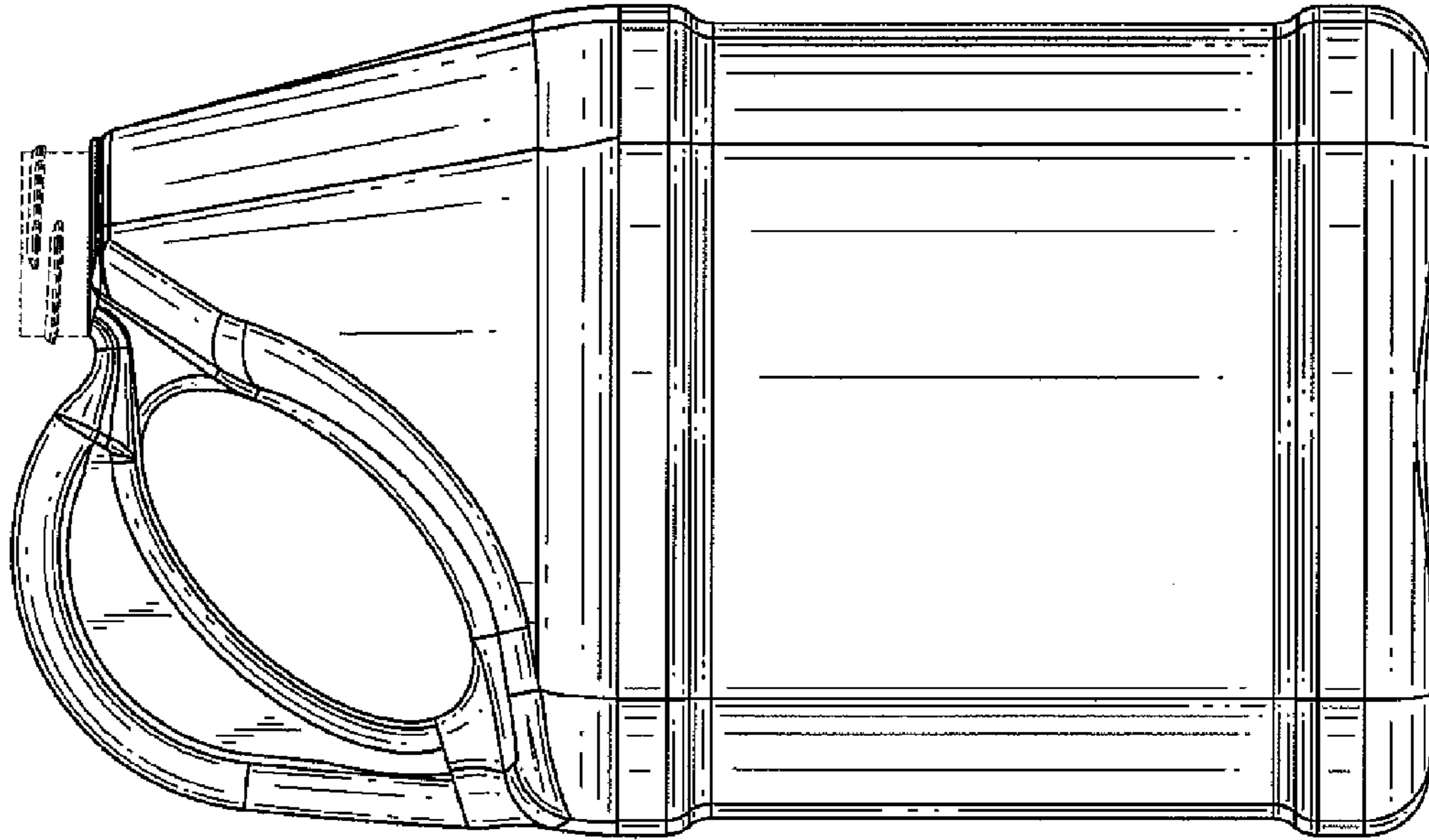


FIG. 6

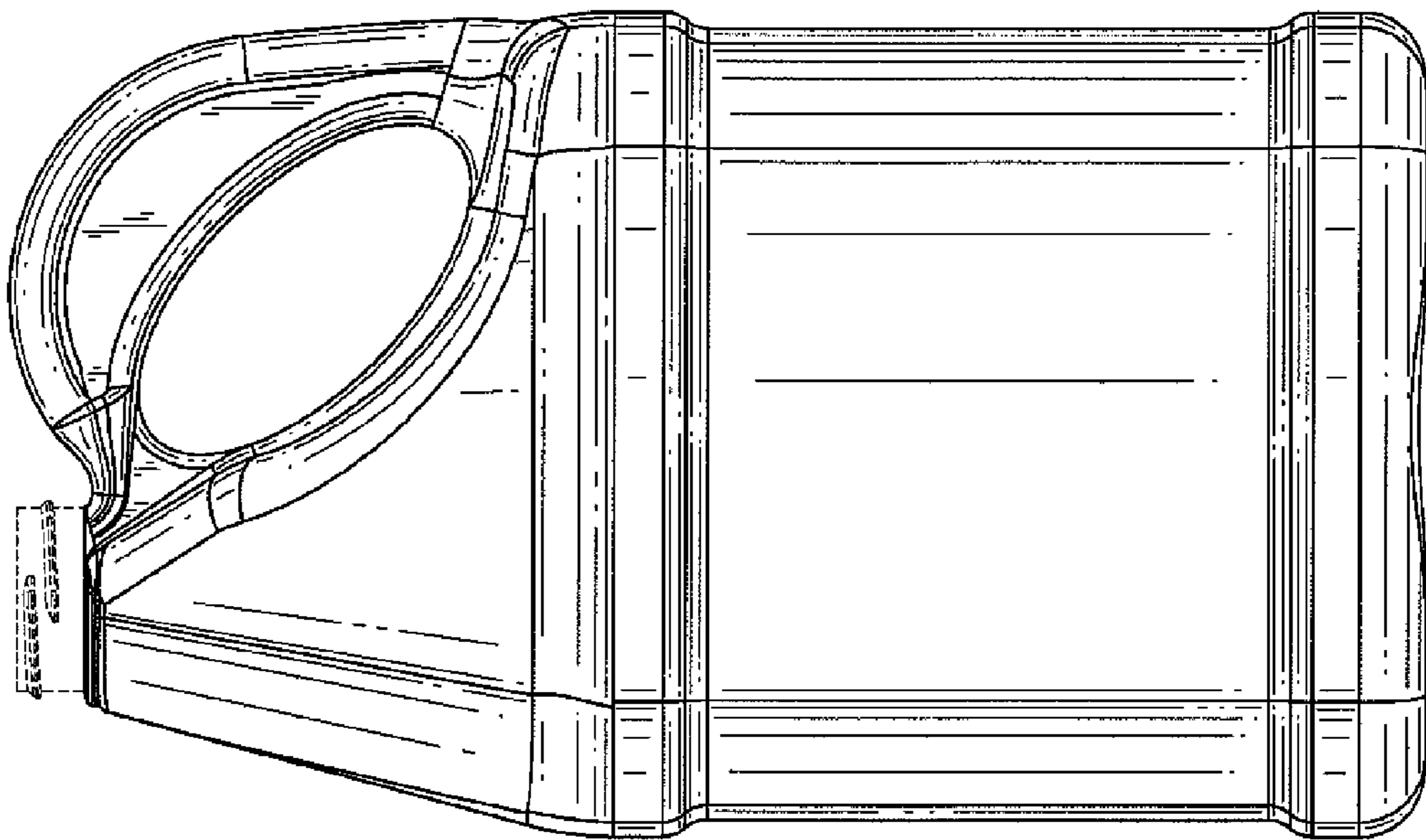


FIG. 5

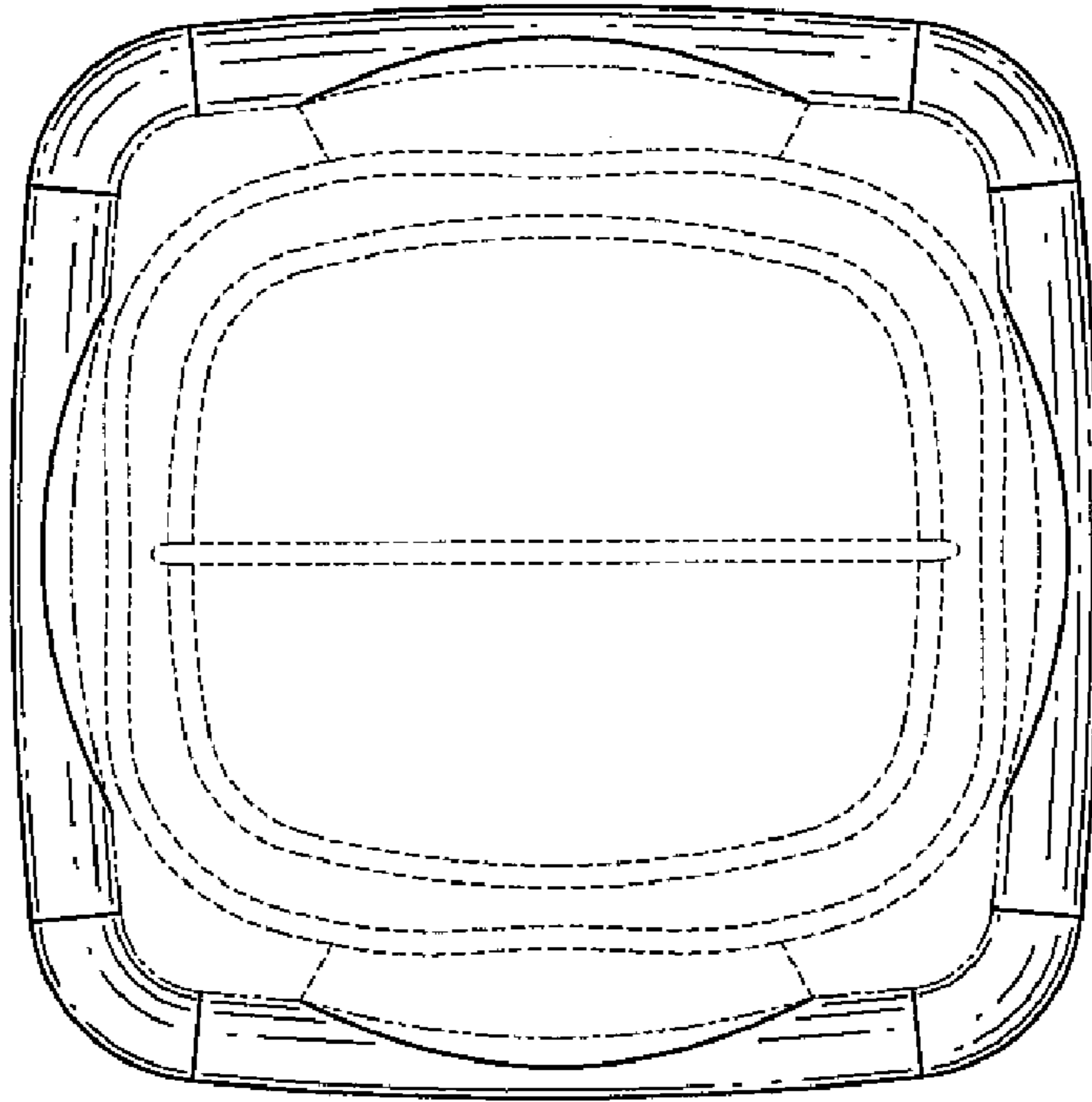


FIG. 8

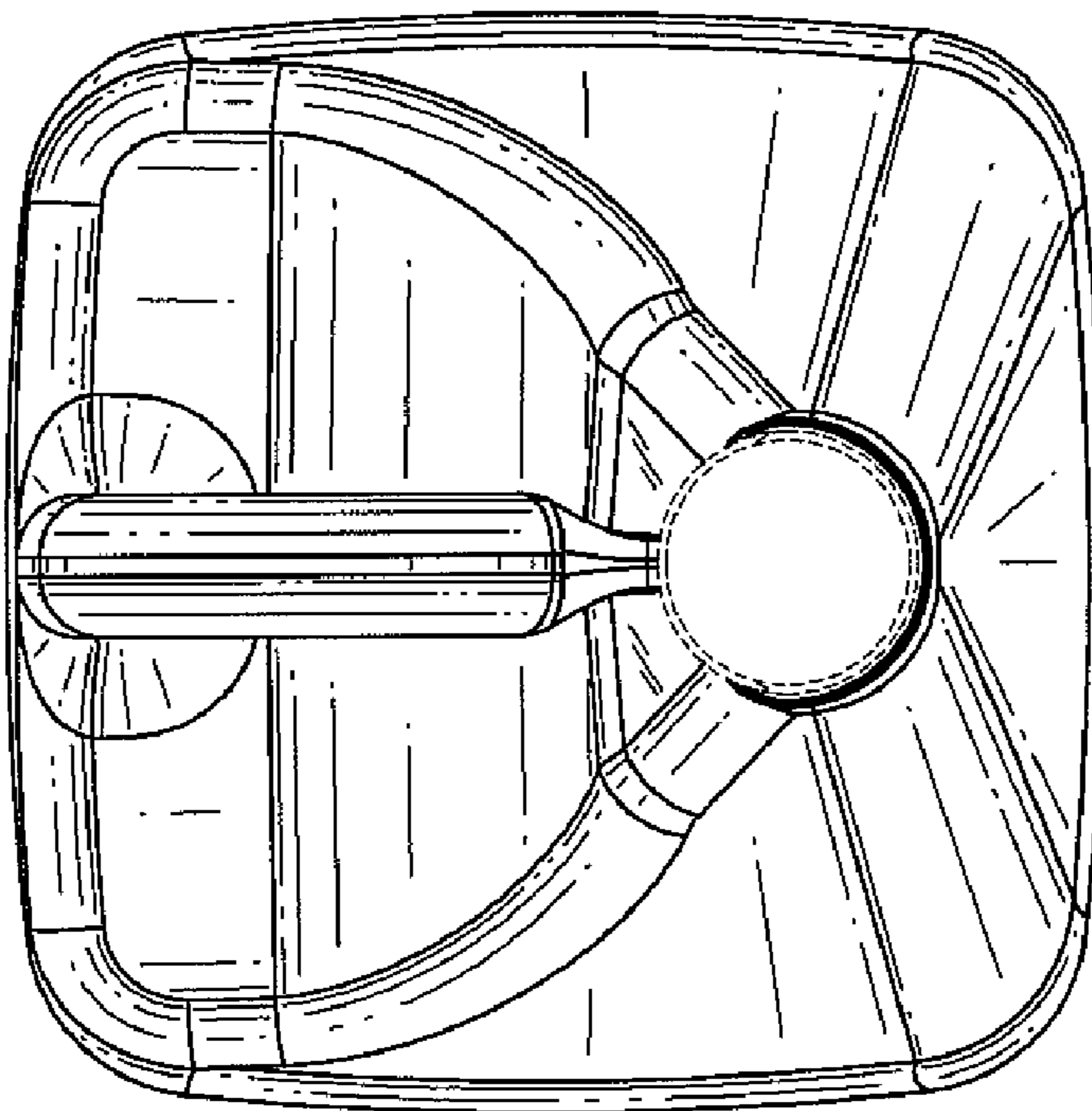


FIG. 7

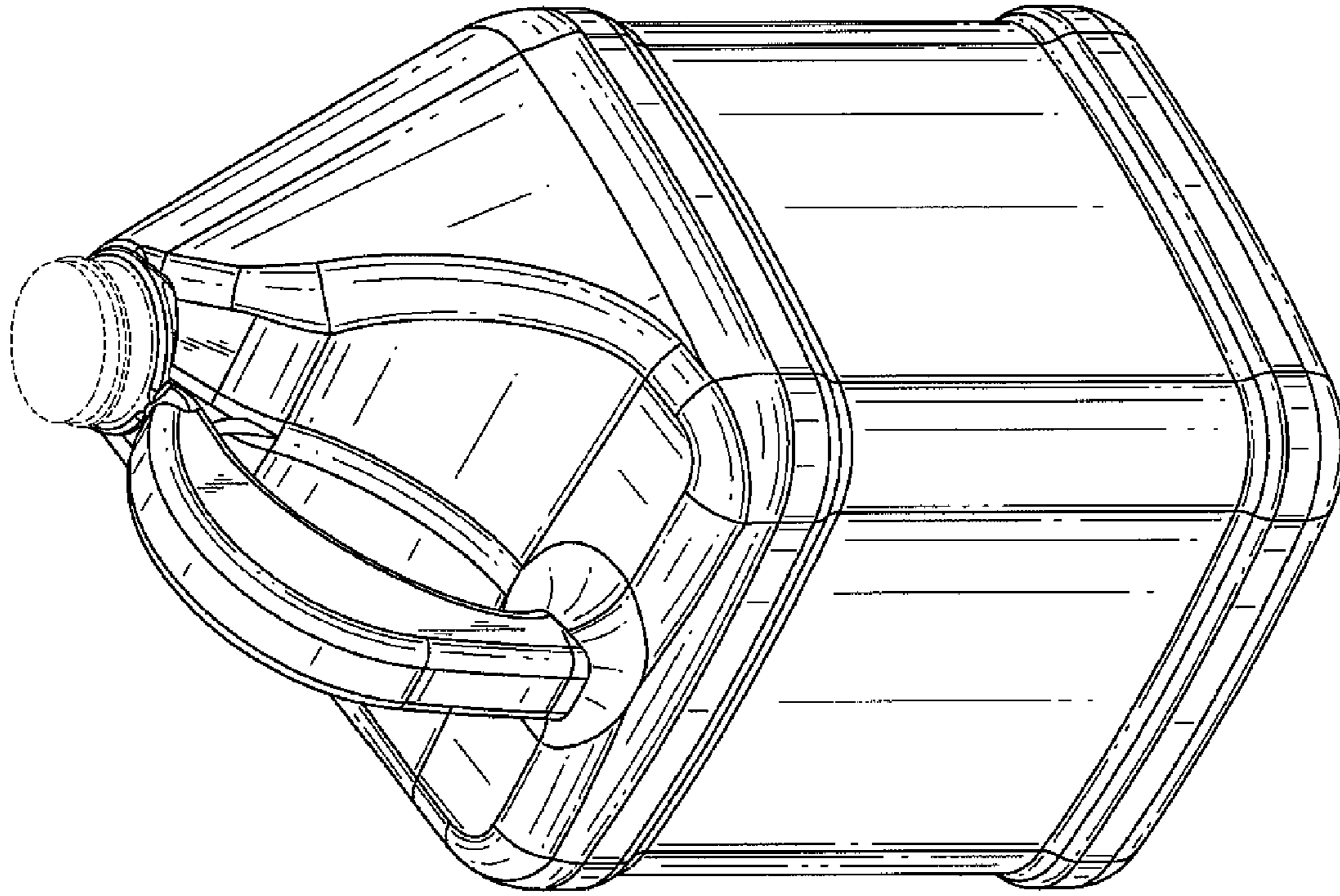


FIG. 10

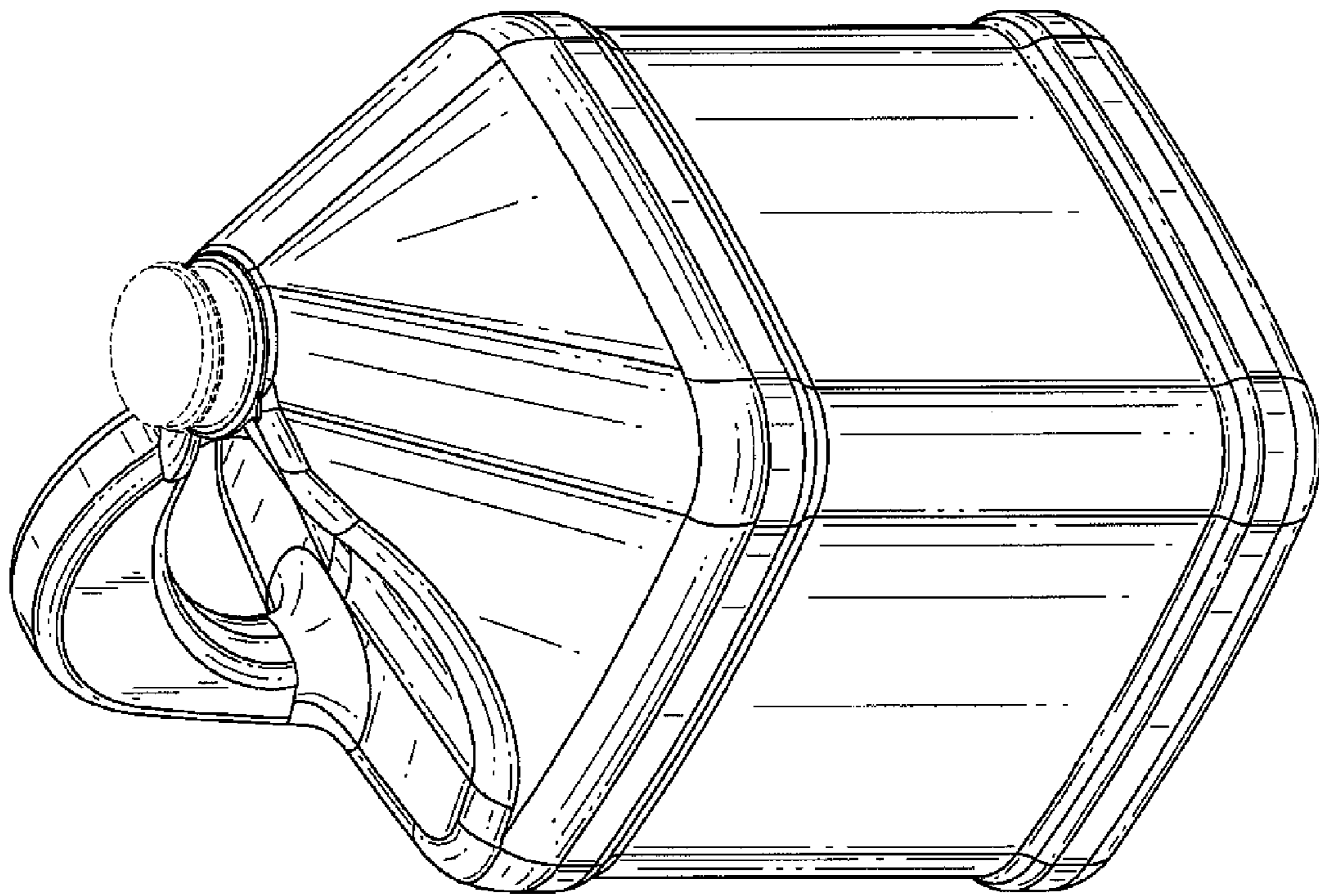


FIG. 9

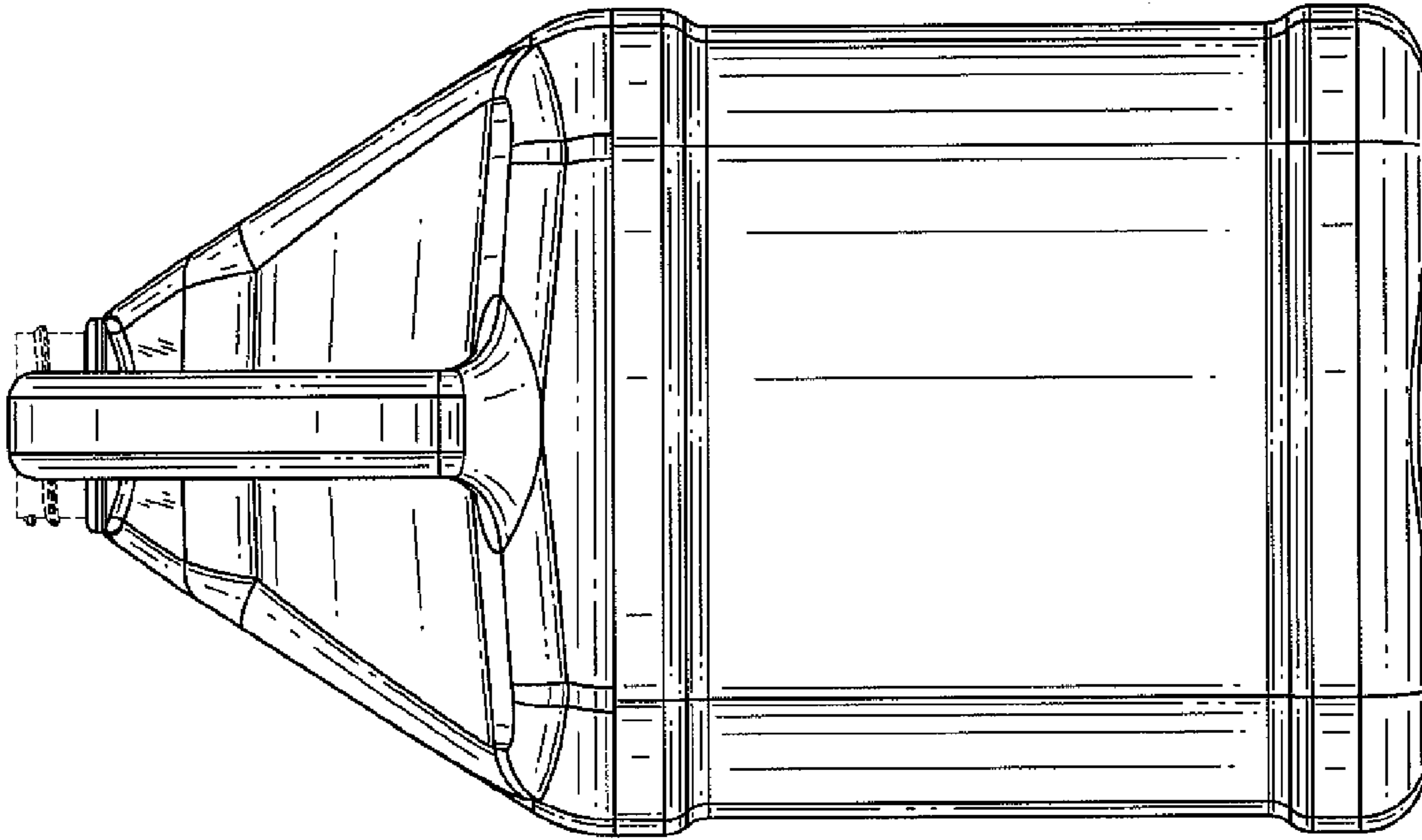


FIG. 12

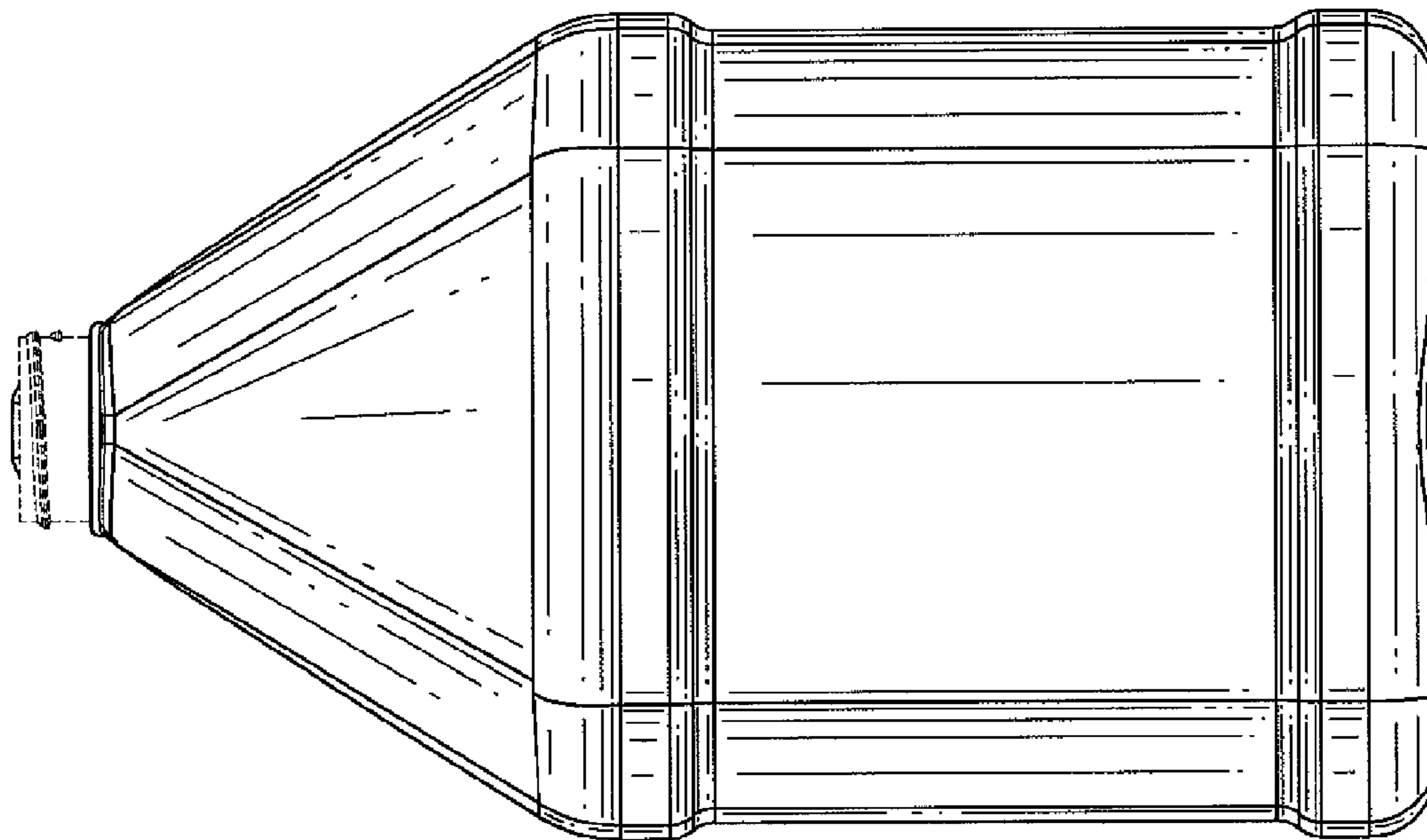


FIG. 11

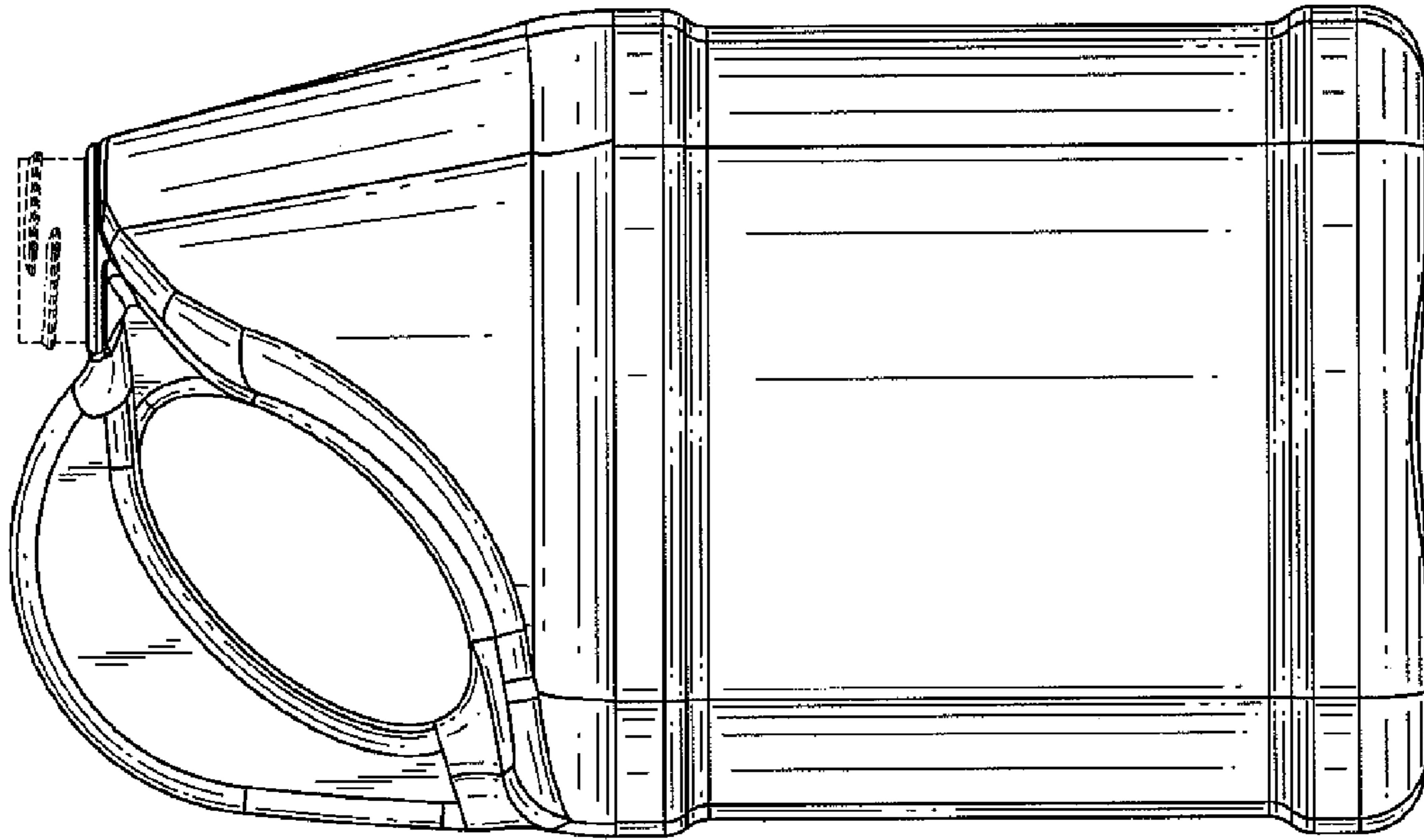


FIG. 14

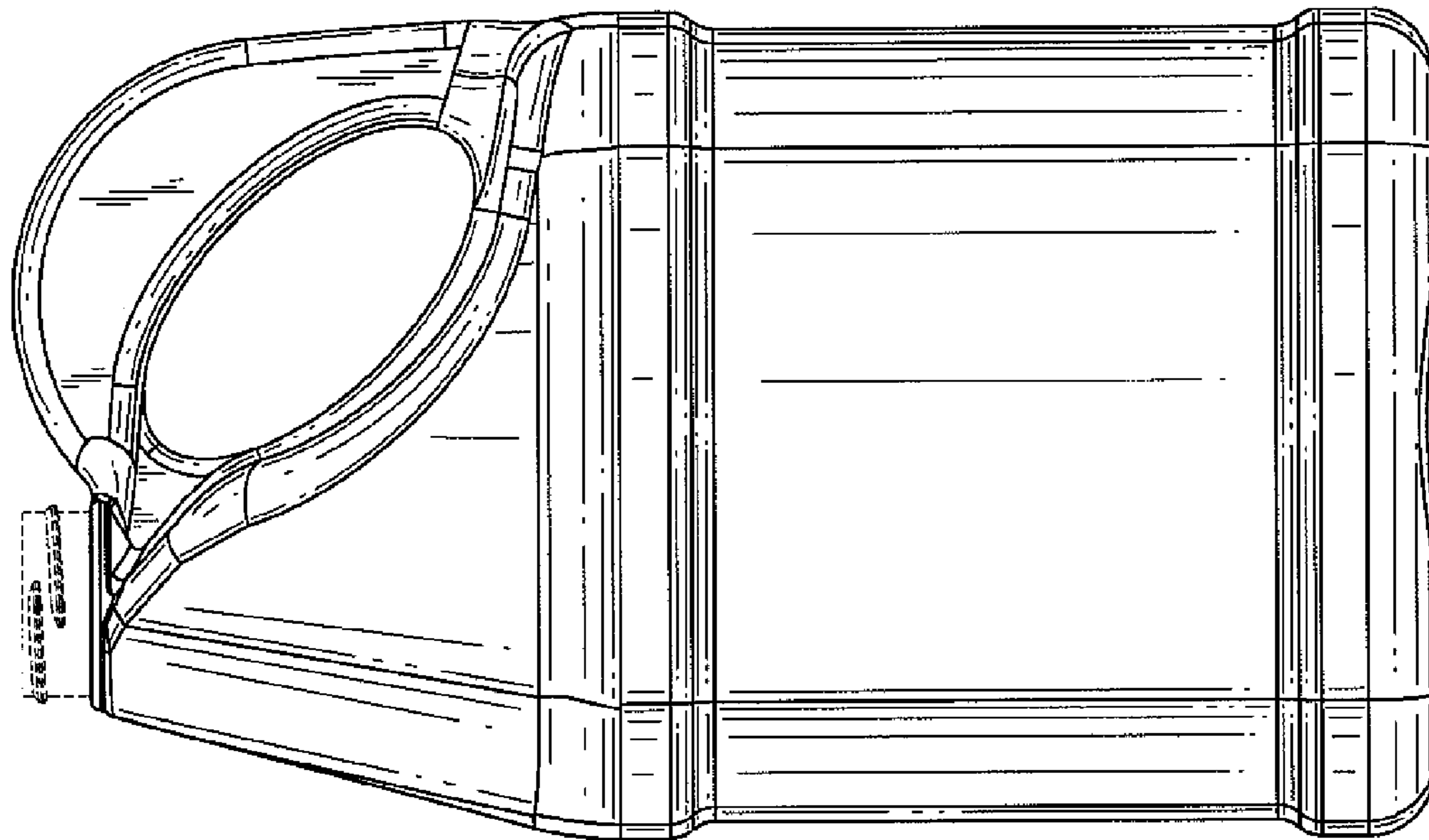


FIG. 13

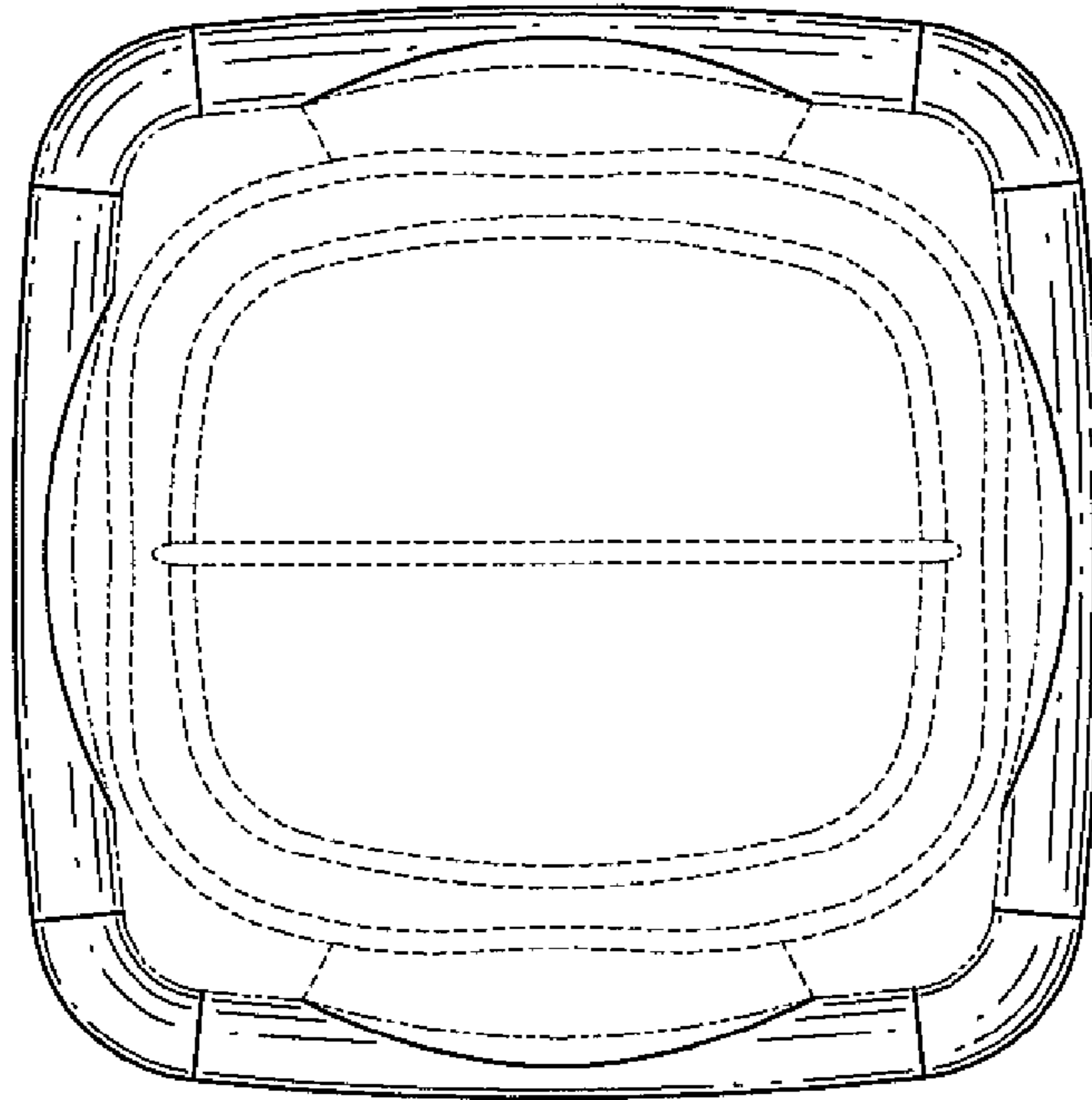


FIG. 15

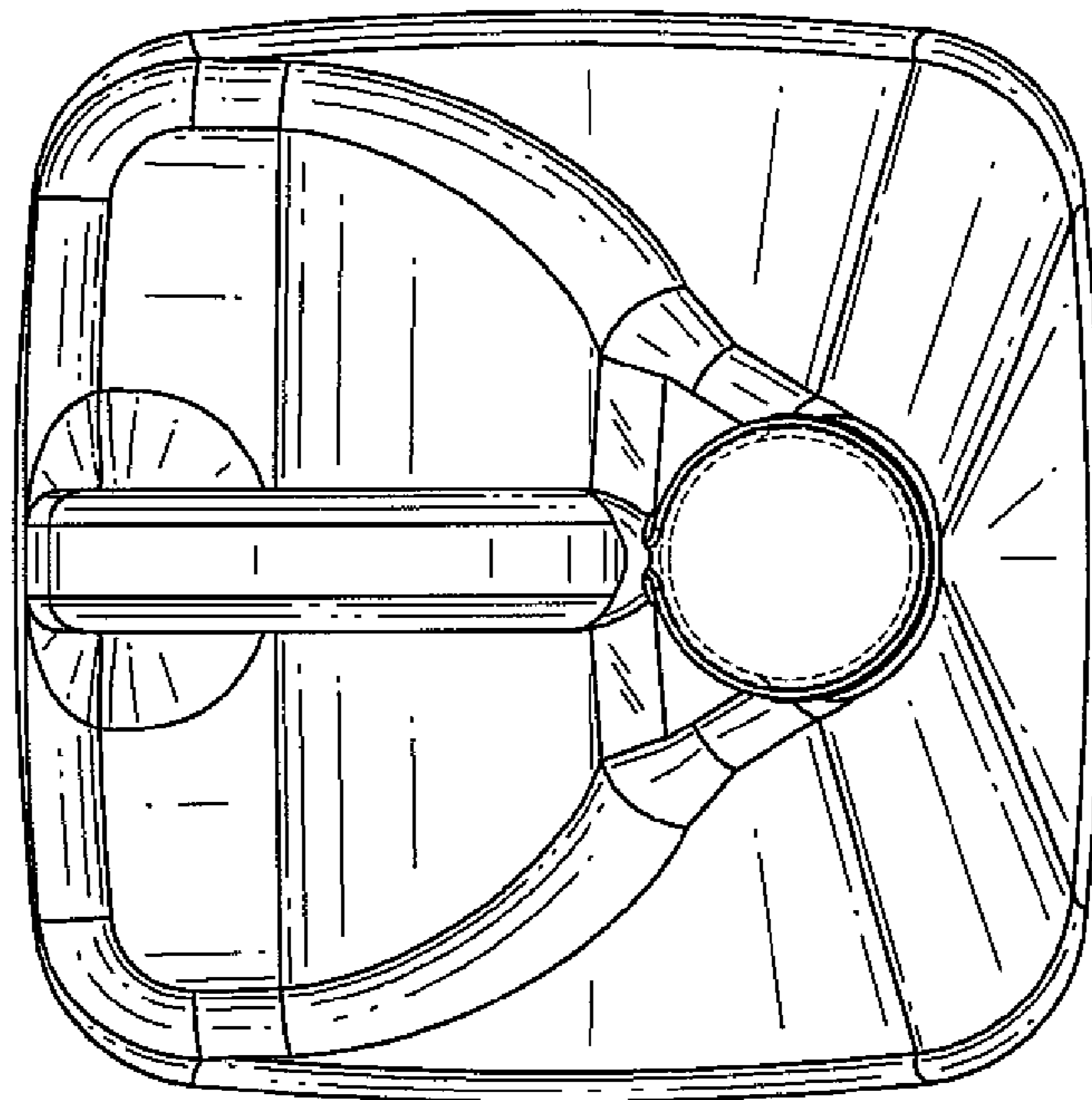


FIG. 16