



US00D580764S

(12) **United States Design Patent**  
**Shale**

(10) **Patent No.:** **US D580,764 S**

(45) **Date of Patent:** **\*\* Nov. 18, 2008**

(54) **CONTAINER**

(75) Inventor: **Simon Shale**, Clayton (AU)

(73) Assignee: **Visy R & D Pty Ltd.**, Melbourne, Victoria (AU)

(\*\*) Term: **14 Years**

(21) Appl. No.: **29/302,053**

(22) Filed: **Jan. 9, 2008**

(30) **Foreign Application Priority Data**

Jul. 9, 2007 (AU) ..... 18757/2007

(51) **LOC (8) Cl.** ..... **09-01**

(52) **U.S. Cl.** ..... **D9/500**

(58) **Field of Classification Search** ..... D9/500,  
D9/502-505, 516, 537-539, 545-546, 549,  
D9/557-558; D7/510, 523, 532, 591, 597-598;  
215/379, 381-384; 220/660, 662, 669-670,  
220/675

See application file for complete search history.

(56) **References Cited**

**U.S. PATENT DOCUMENTS**

D108,746 S \* 3/1938 Hansen ..... D7/523  
D111,321 S \* 9/1938 Fuerst ..... D7/523  
D378,795 S \* 4/1997 King ..... D7/608  
D404,254 S \* 1/1999 Asberg ..... D7/511

D437,230 S \* 2/2001 Andrew ..... D9/516  
D478,669 S \* 8/2003 Wear ..... D24/197  
D508,594 S \* 8/2005 Snell ..... D34/1  
D512,917 S \* 12/2005 Frisch et al. .... D9/516

\* cited by examiner

*Primary Examiner*—Ian Simmons

*Assistant Examiner*—Dana L Sipos

(74) *Attorney, Agent, or Firm*—Rothwell, Figg, Ernst & Manbeck, P.C.

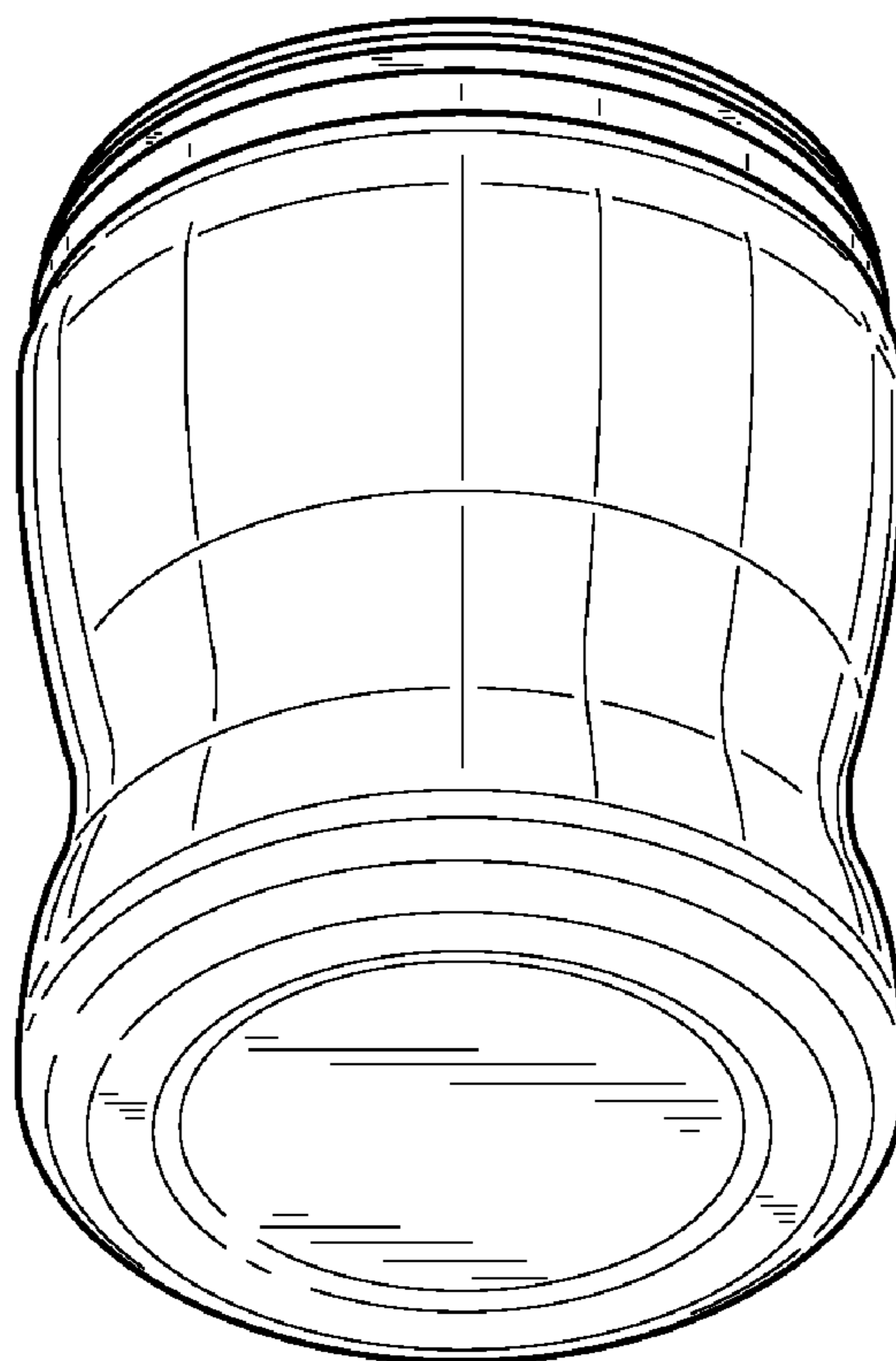
(57) **CLAIM**

The ornamental design for a container, as shown and described.

**DESCRIPTION**

FIG. 1 is a side view of the container;  
FIG. 2 is a top perspective view of the container;  
FIG. 3 is a bottom perspective view of the container;  
FIG. 4 is a top view of the container;  
FIG. 5 is a bottom view of the container; and,  
FIG. 6 is an enlarged view of the section D shown in FIG. 1.  
The broken lines in FIG. 1 are to define where the FIG. 6 partial view has been taken from and form no part of the claimed design. The broken line in FIG. 6 represents the bounds of the partial view and forms no part of the claim.

**1 Claim, 2 Drawing Sheets**



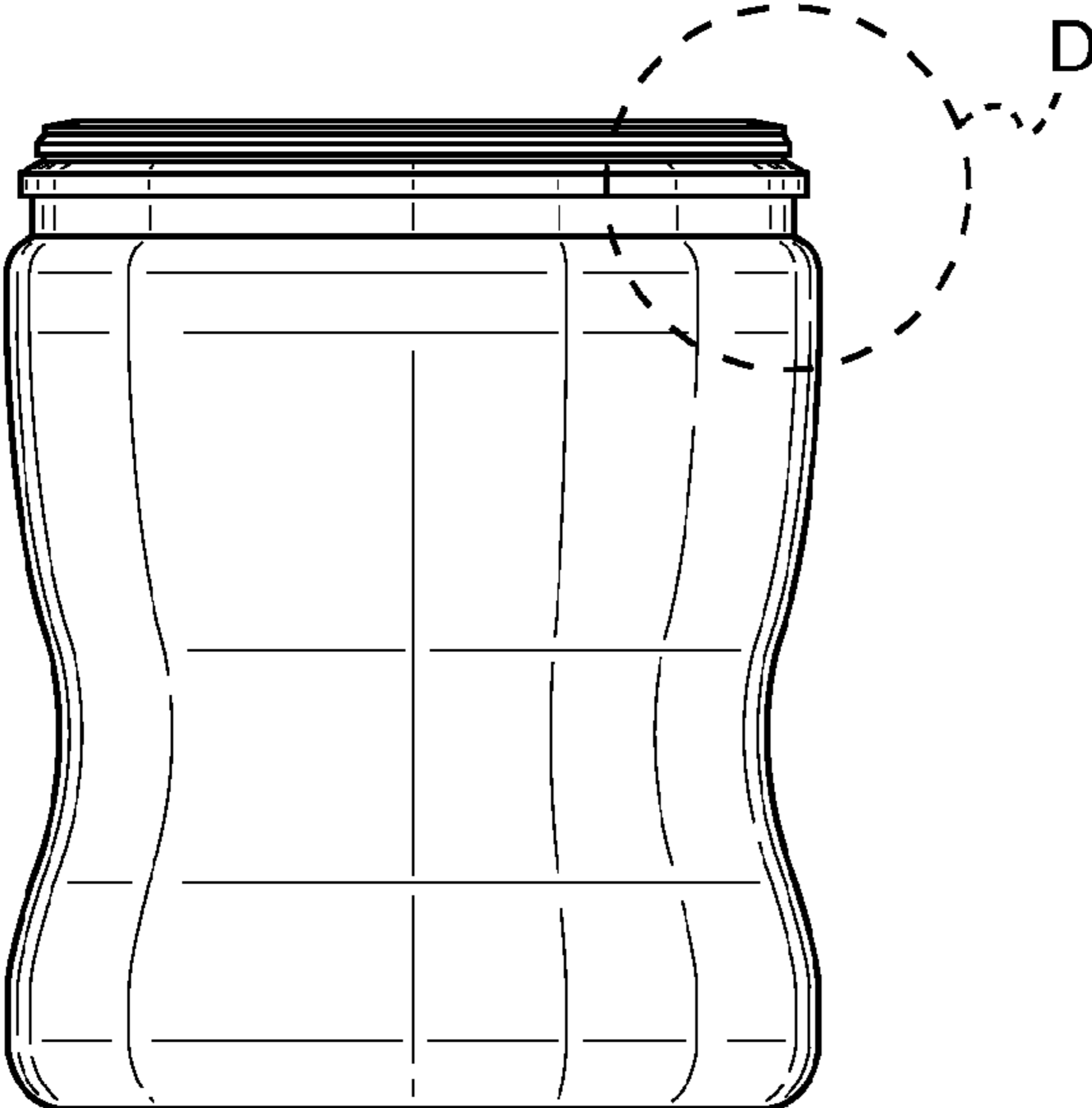


FIG.1

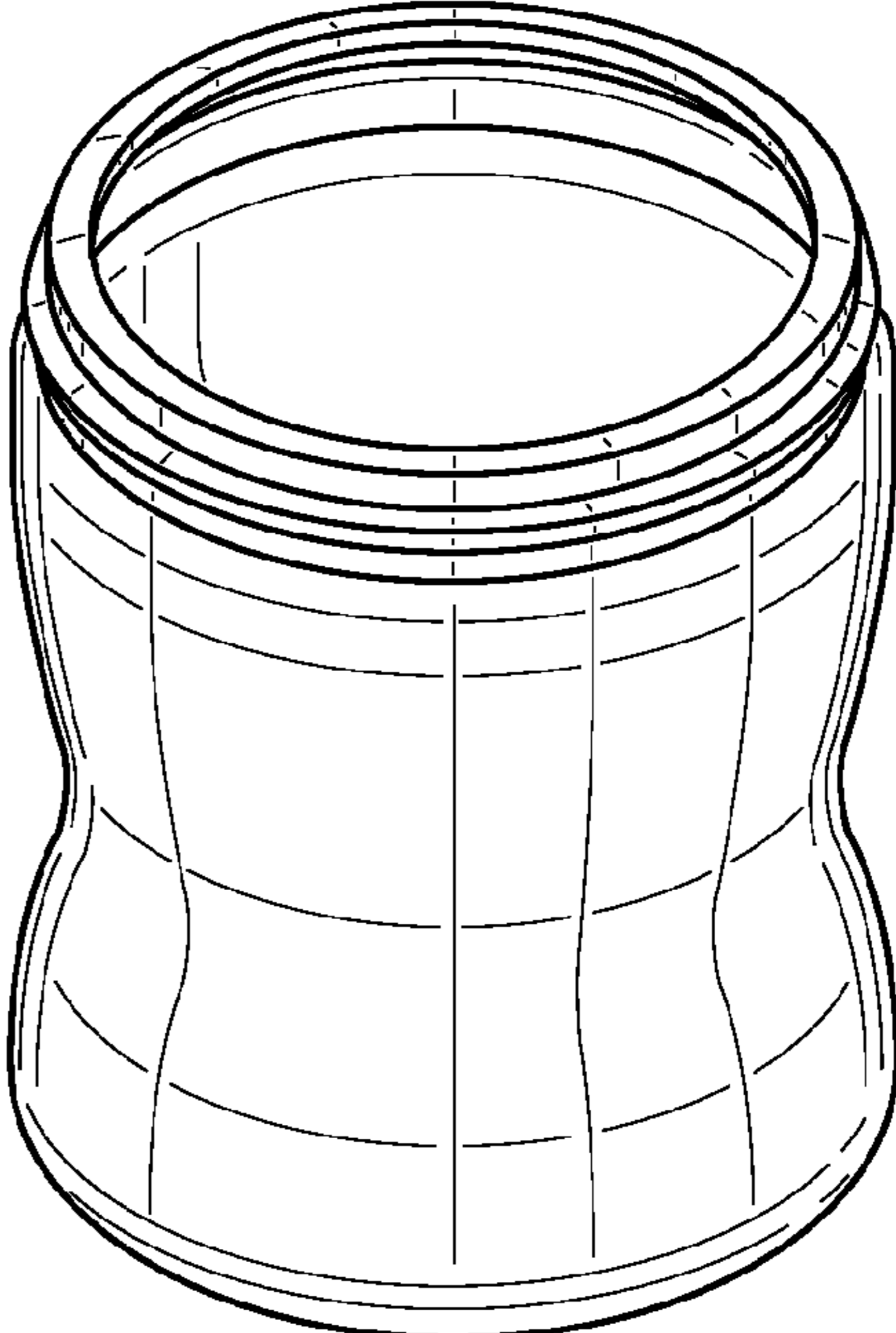


FIG.2

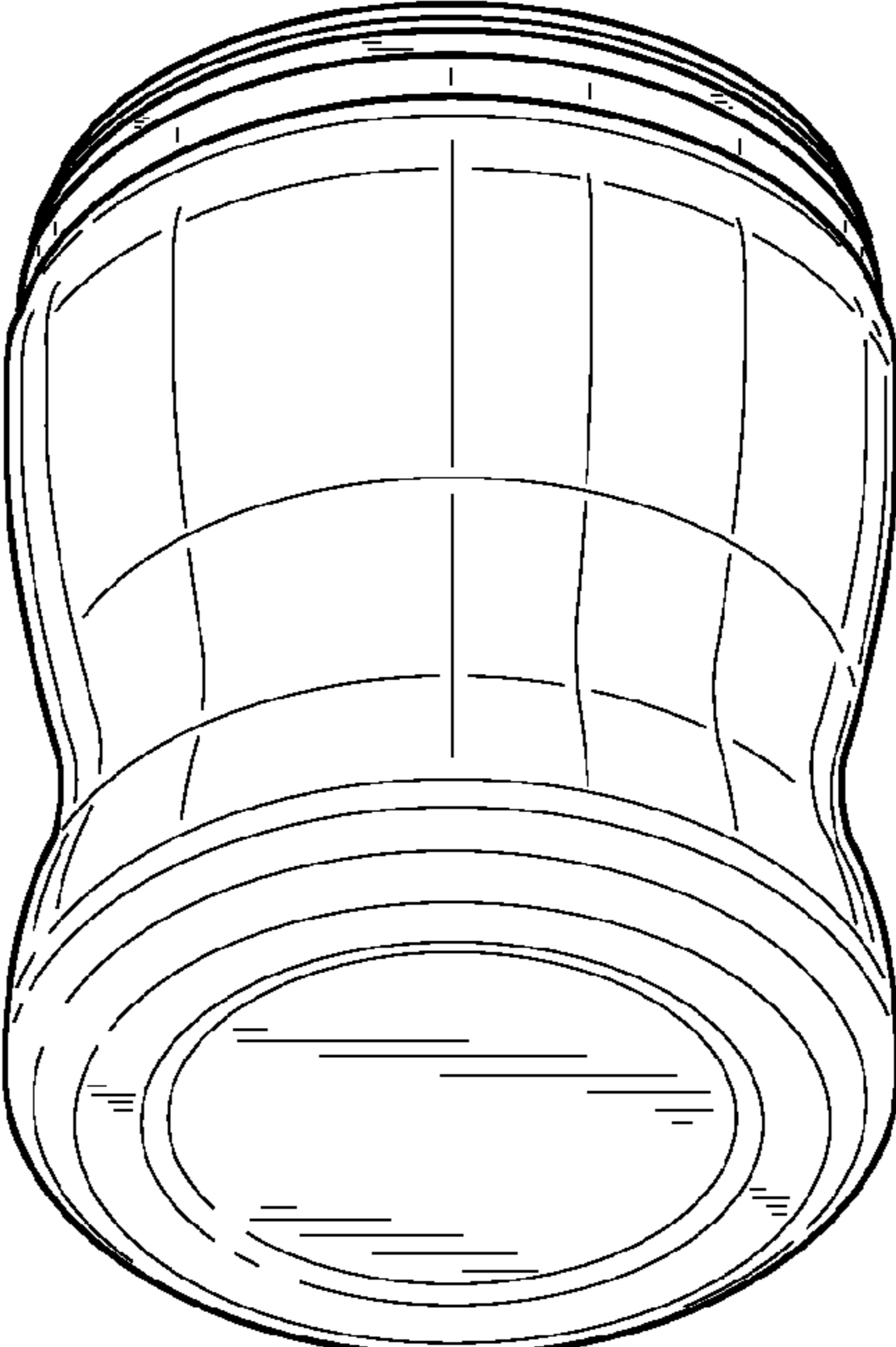


FIG.3

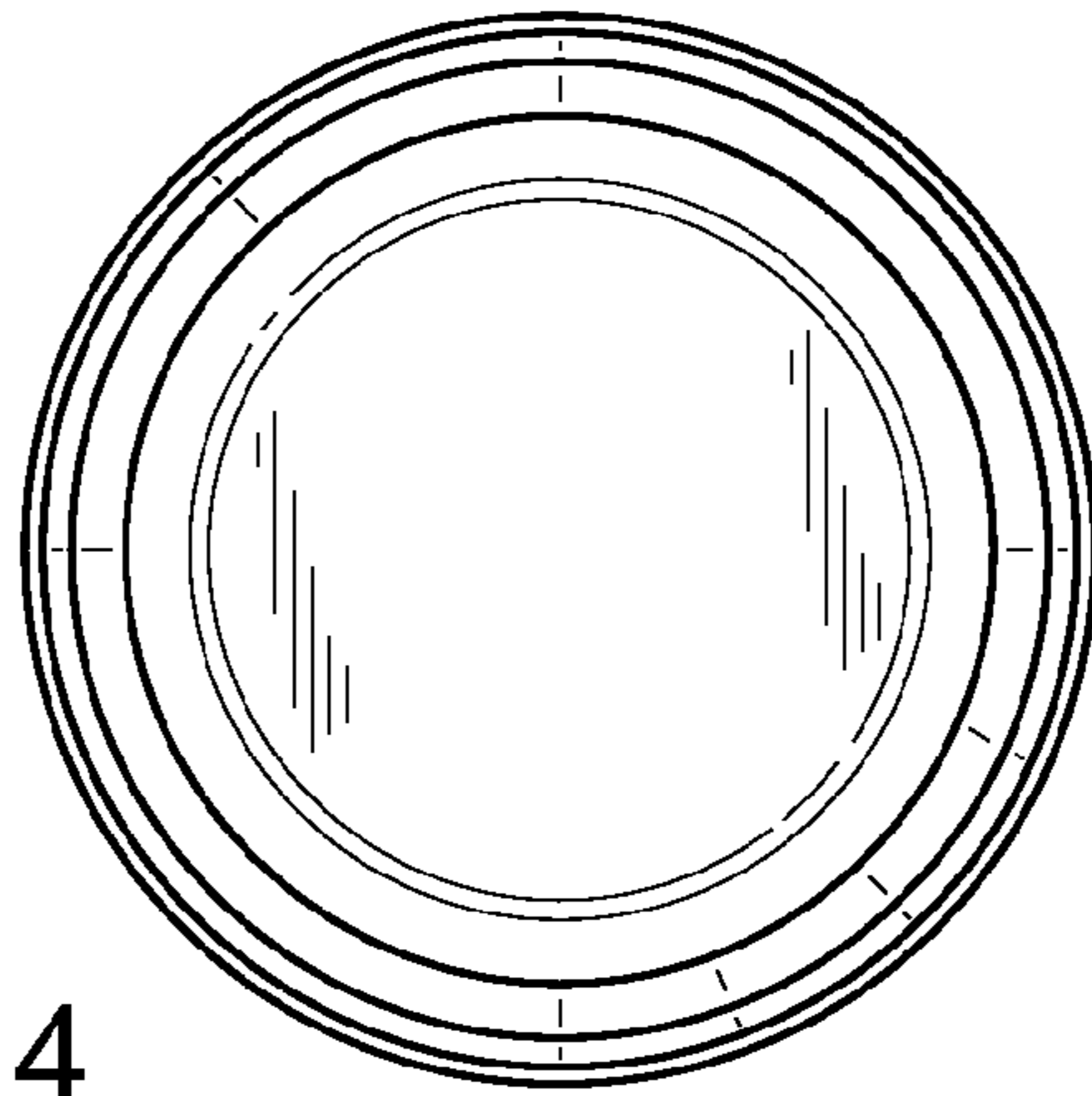


FIG. 4

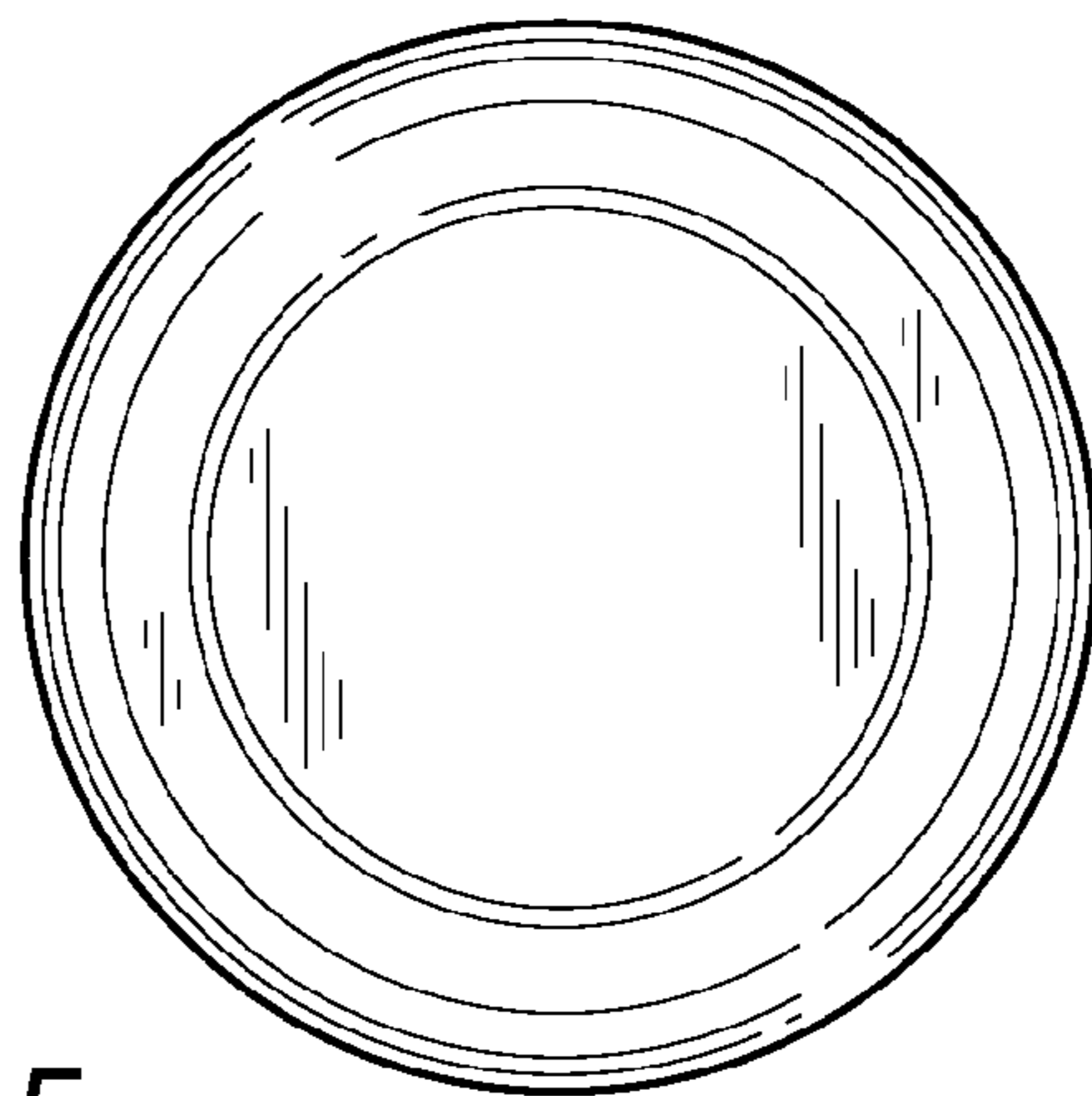


FIG. 5

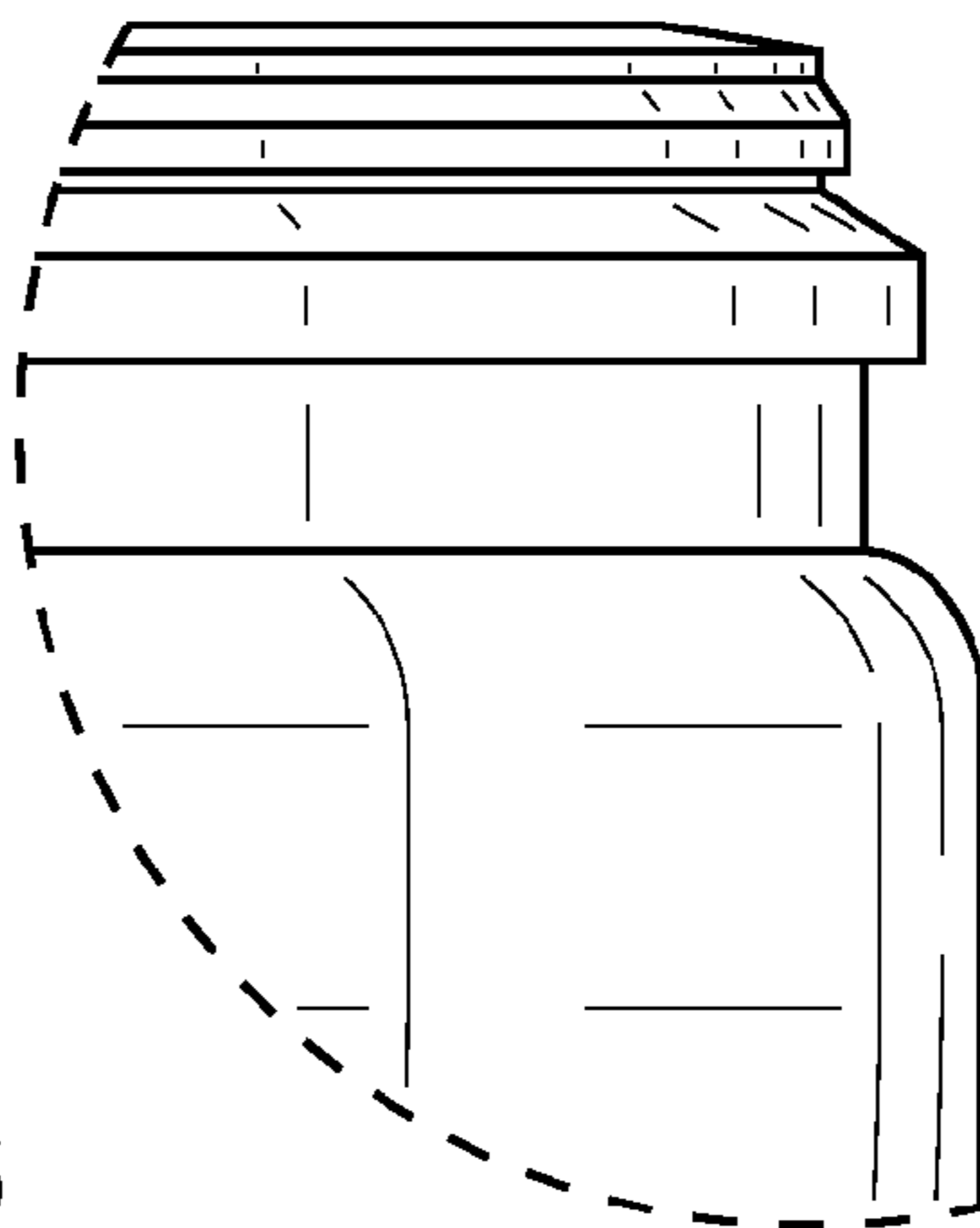


FIG. 6