



US00D580762S

(12) **United States Design Patent**
Wilson et al.

(10) **Patent No.:** **US D580,762 S**

(45) **Date of Patent:** **** Nov. 18, 2008**

(54) **NON-DRIP SPOUT**

(75) Inventors: **Tracie Lynn Clemons Wilson**,
Westminster, MD (US); **Steve Gift**, Litiz,
PA (US)

(73) Assignee: **McCormick & Company, Inc.**, Sparks,
MD (US)

(**) Term: **14 Years**

(21) Appl. No.: **29/250,547**

(22) Filed: **Nov. 20, 2006**

(51) **LOC (8) Cl.** **09-07**

(52) **U.S. Cl.** **D9/449**; D9/454

(58) **Field of Classification Search** D9/453,
D9/450, 449, 446, 438; 222/571, 567, 566,
222/545, 544, 484, 481.5, 480; 220/810;
215/556, 235; D28/82

See application file for complete search history.

(56) **References Cited**

U.S. PATENT DOCUMENTS

447,502	A *	3/1891	Wright	222/556
1,648,512	A *	11/1927	Stock	222/566
2,203,133	A *	6/1940	Englert	222/566
D363,025	S *	10/1995	Deflander et al.	D9/449
5,651,481	A	7/1997	Jensen		
6,116,477	A *	9/2000	Kreiseder et al.	222/556
D508,402	S *	8/2005	Hierzer et al.	D9/449
2007/0095864	A1 *	5/2007	Vangeel et al.	222/556

* cited by examiner

Primary Examiner—Gary D. Watson

Assistant Examiner—Susan B Hattan

(74) *Attorney, Agent, or Firm*—Oblon, Spivak, McClelland,
Maier & Neustadt, P.C.

(57) **CLAIM**

The ornamental design for a non-drip spout, as shown and described.

DESCRIPTION

FIG. 1 is a top and right front perspective view of non-drip spout, showing our new design;

FIG. 2 is a front elevational view thereof;

FIG. 3 is a right side elevational view thereof, the left side elevational view being a mirror image of the side view shown;

FIG. 4 is a top plan view thereof;

FIG. 5 is a rear elevational view thereof;

FIG. 6 is a bottom plan view thereof;

FIG. 7 is a top and right rear perspective view thereof;

FIG. 8 is a top and right front perspective view of a second embodiment of the non-drip spout;

FIG. 9 is a front elevational view thereof;

FIG. 10 is a left side elevational view thereof, the right side elevational view being a mirror image of the side view shown;

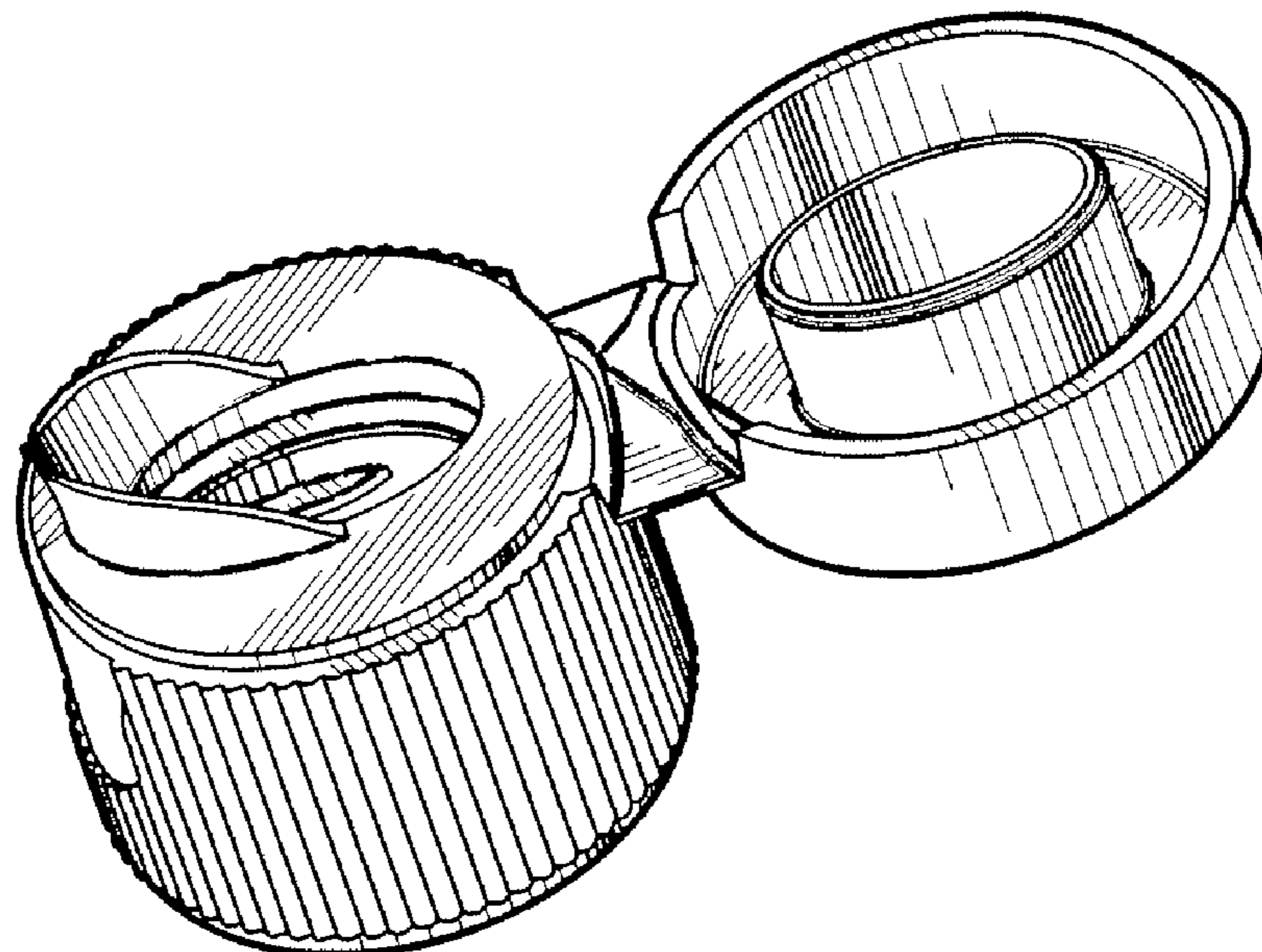
FIG. 11 is a top plan view thereof;

FIG. 12 is a rear elevational view thereof; and,

FIG. 13 is a bottom plan view thereof.

The phantom line showing in the figures is for illustrative purposes only and forms no part of the claimed design.

1 Claim, 7 Drawing Sheets



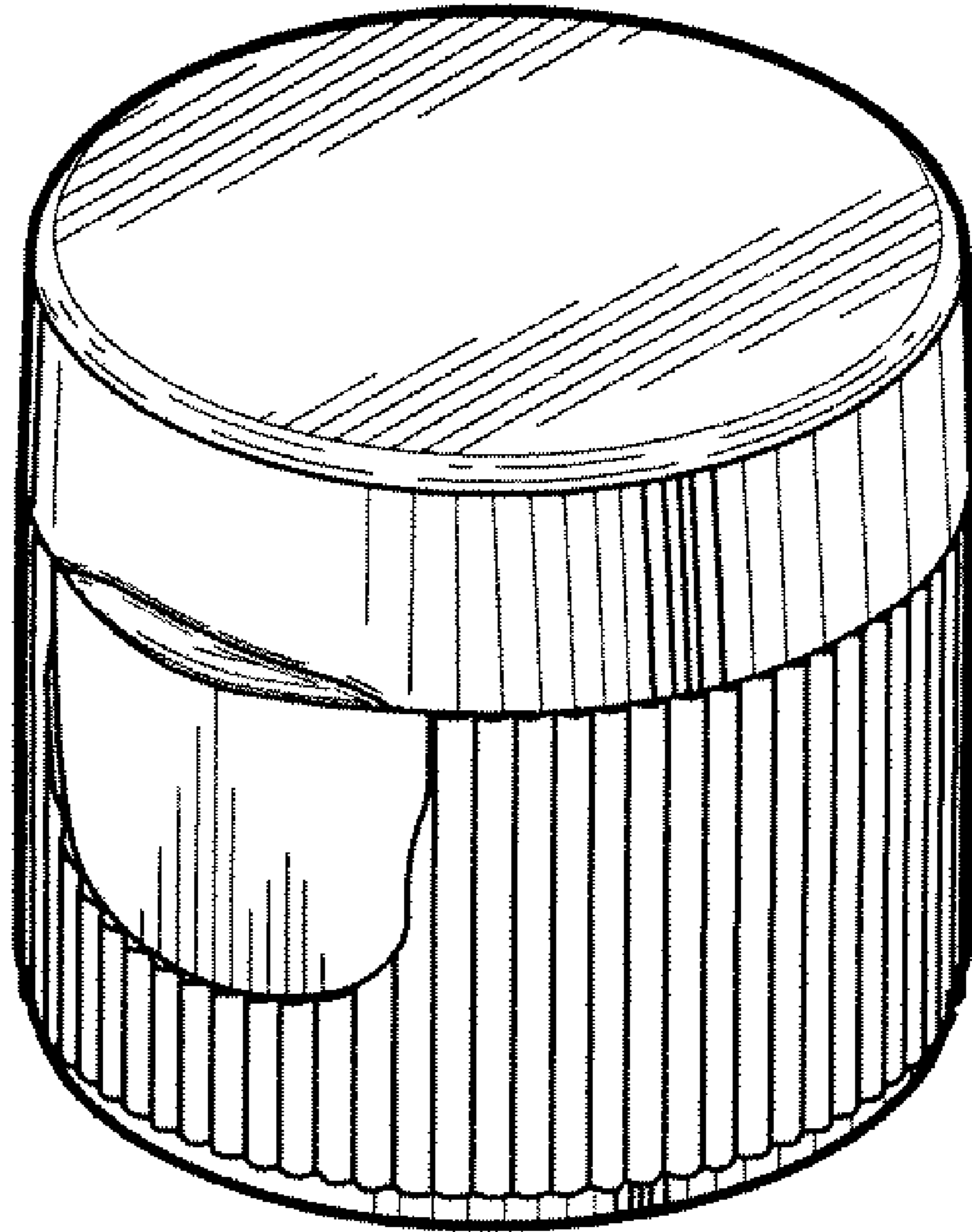


Fig. 1

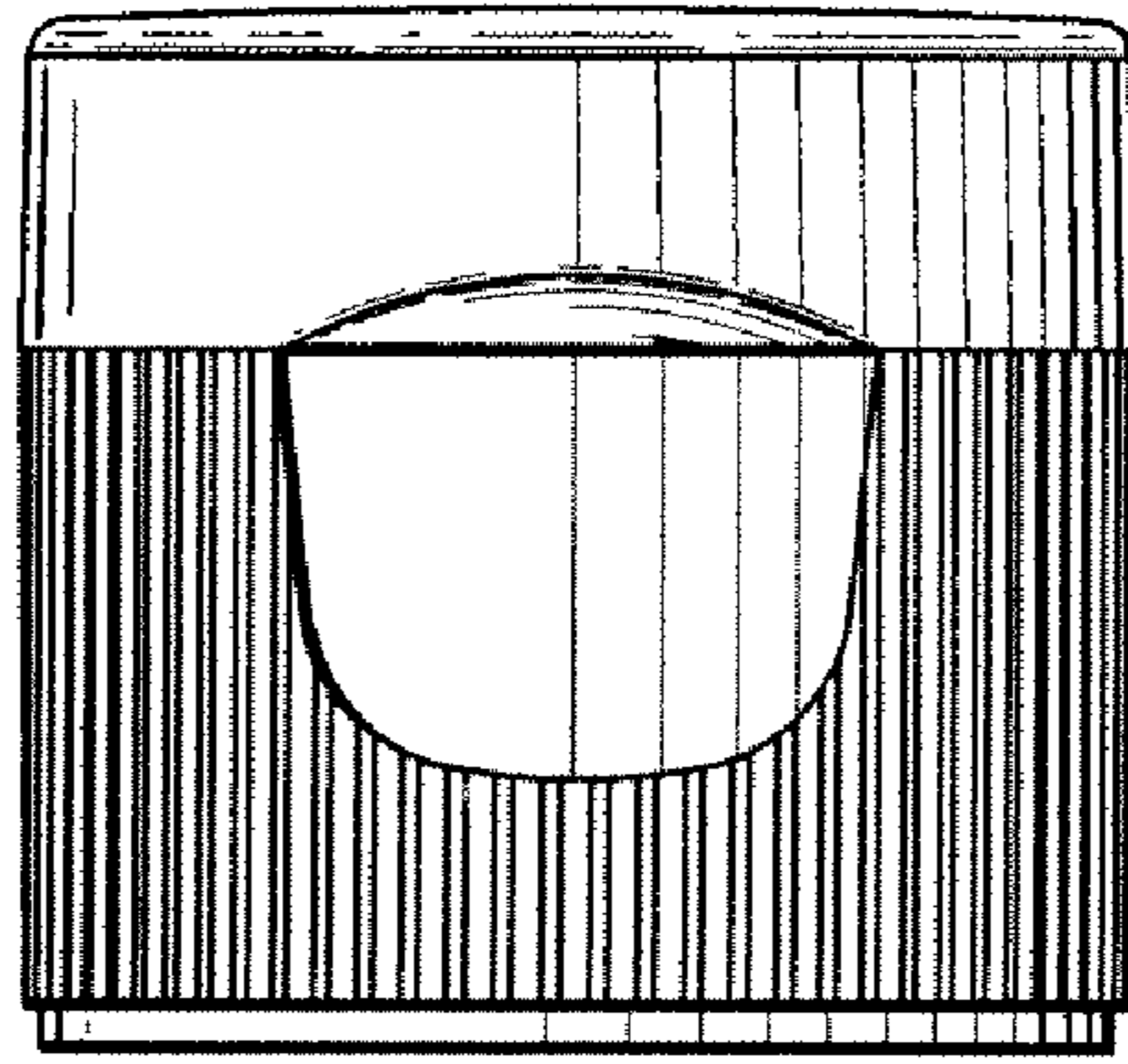


Fig. 2

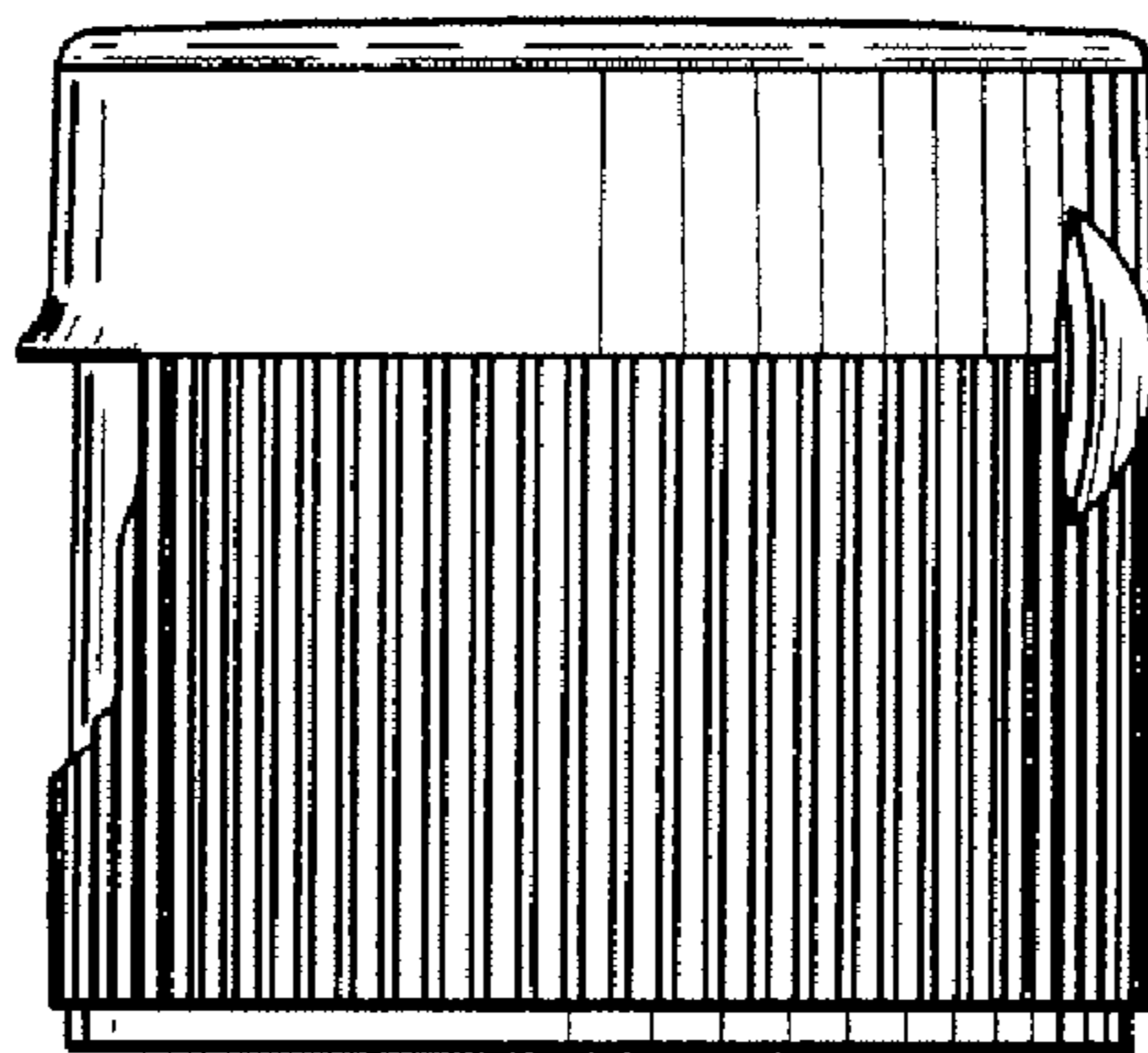


Fig. 3

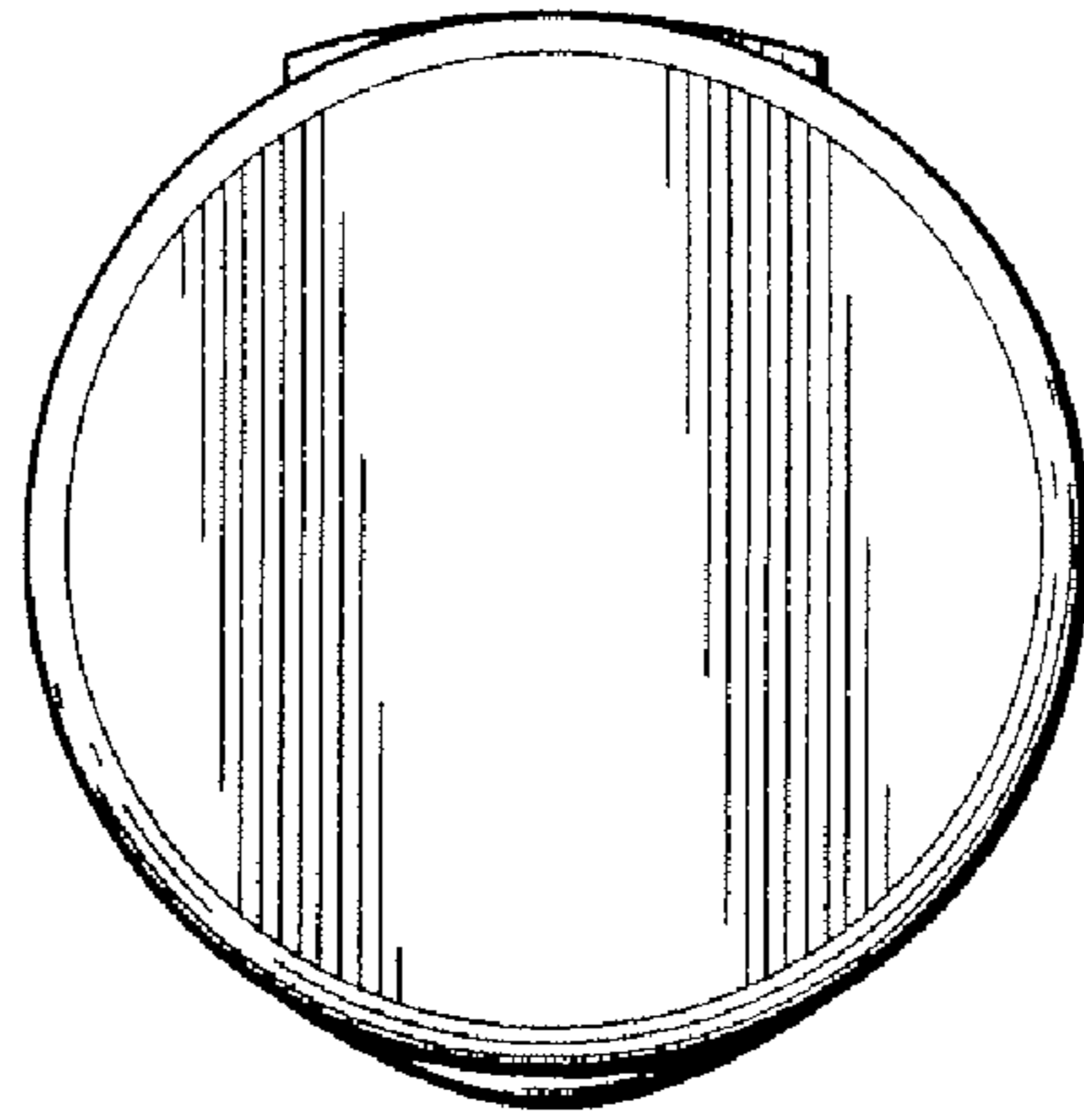


Fig. 4

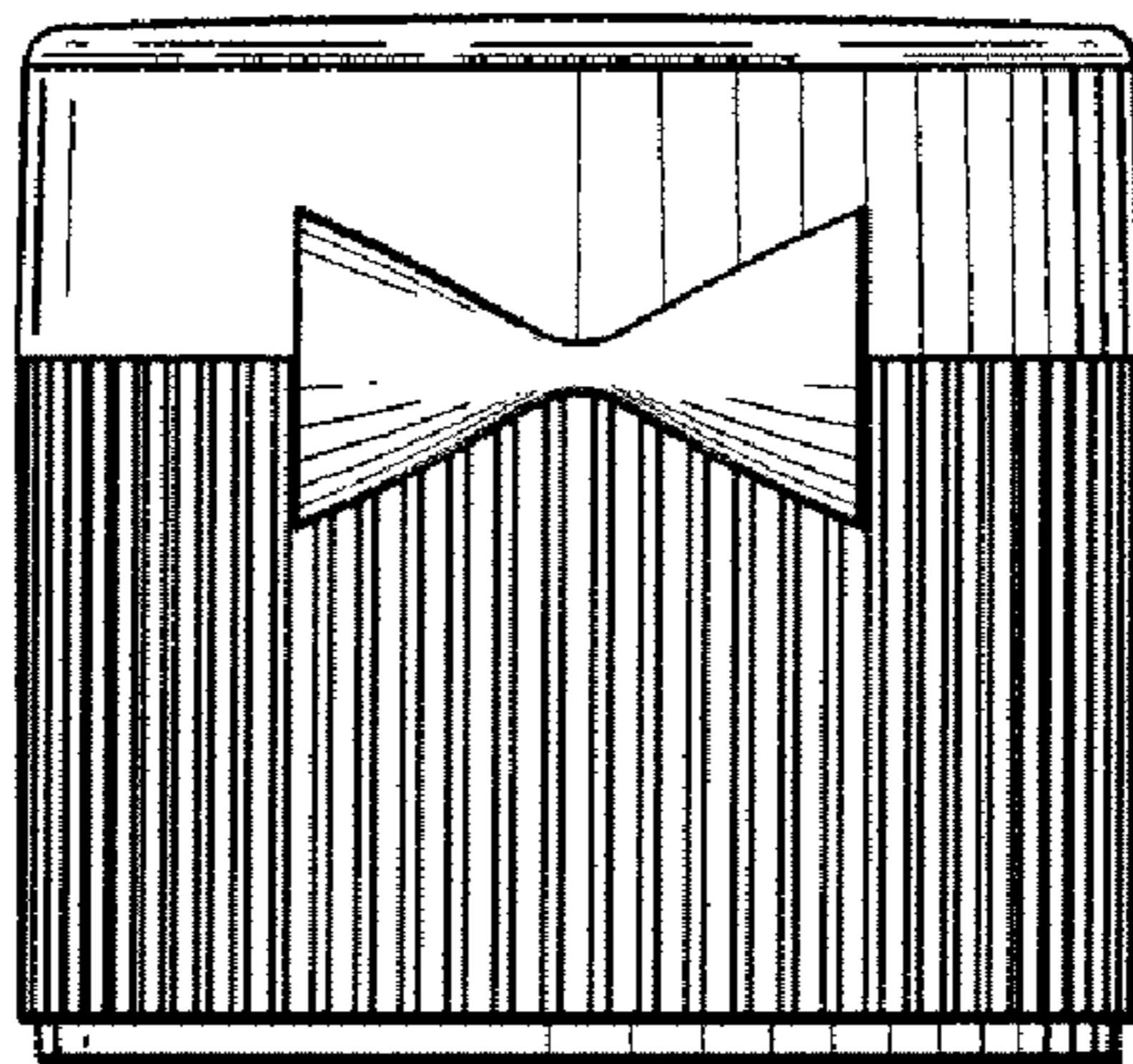


Fig. 5

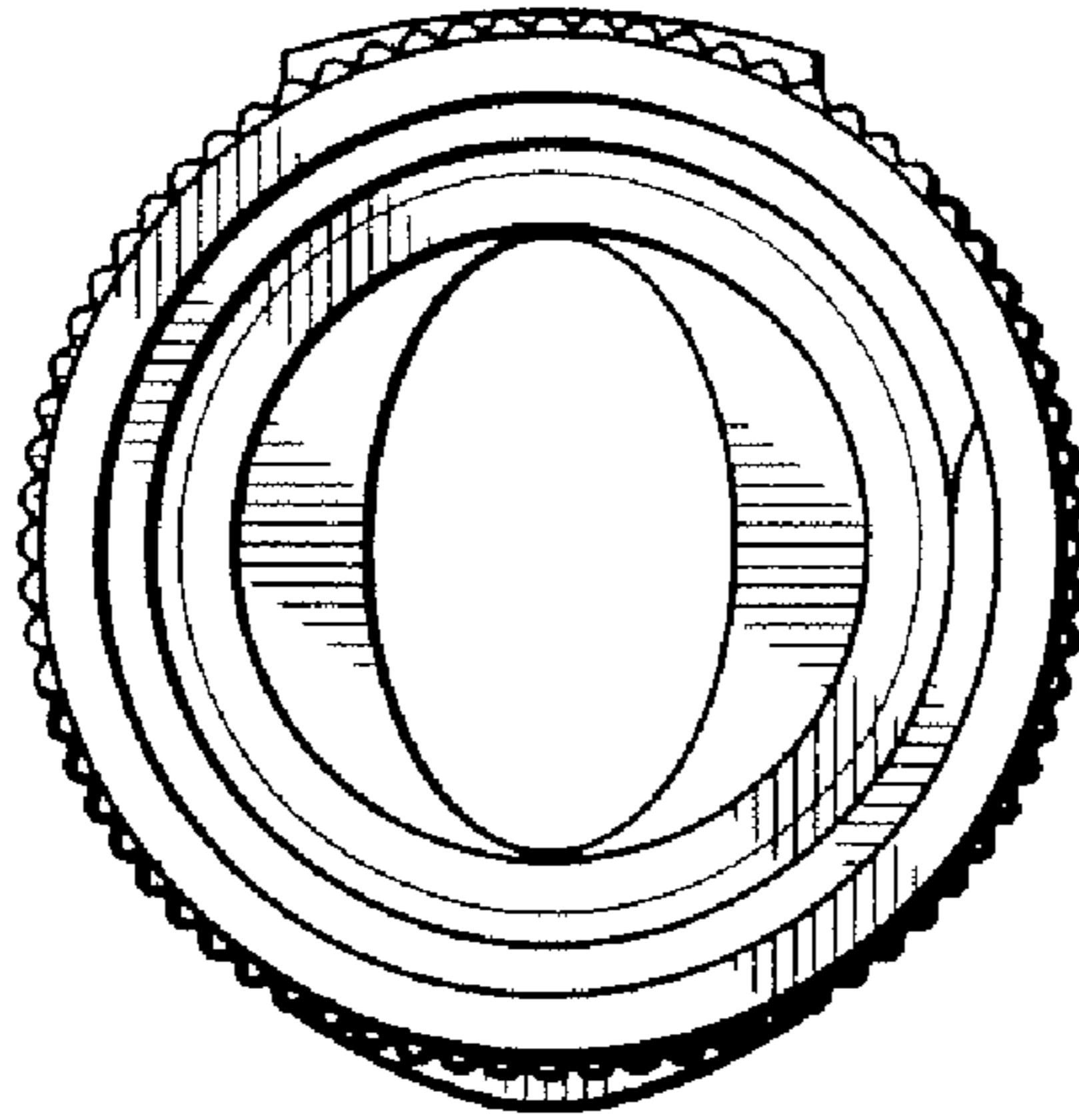


Fig. 6

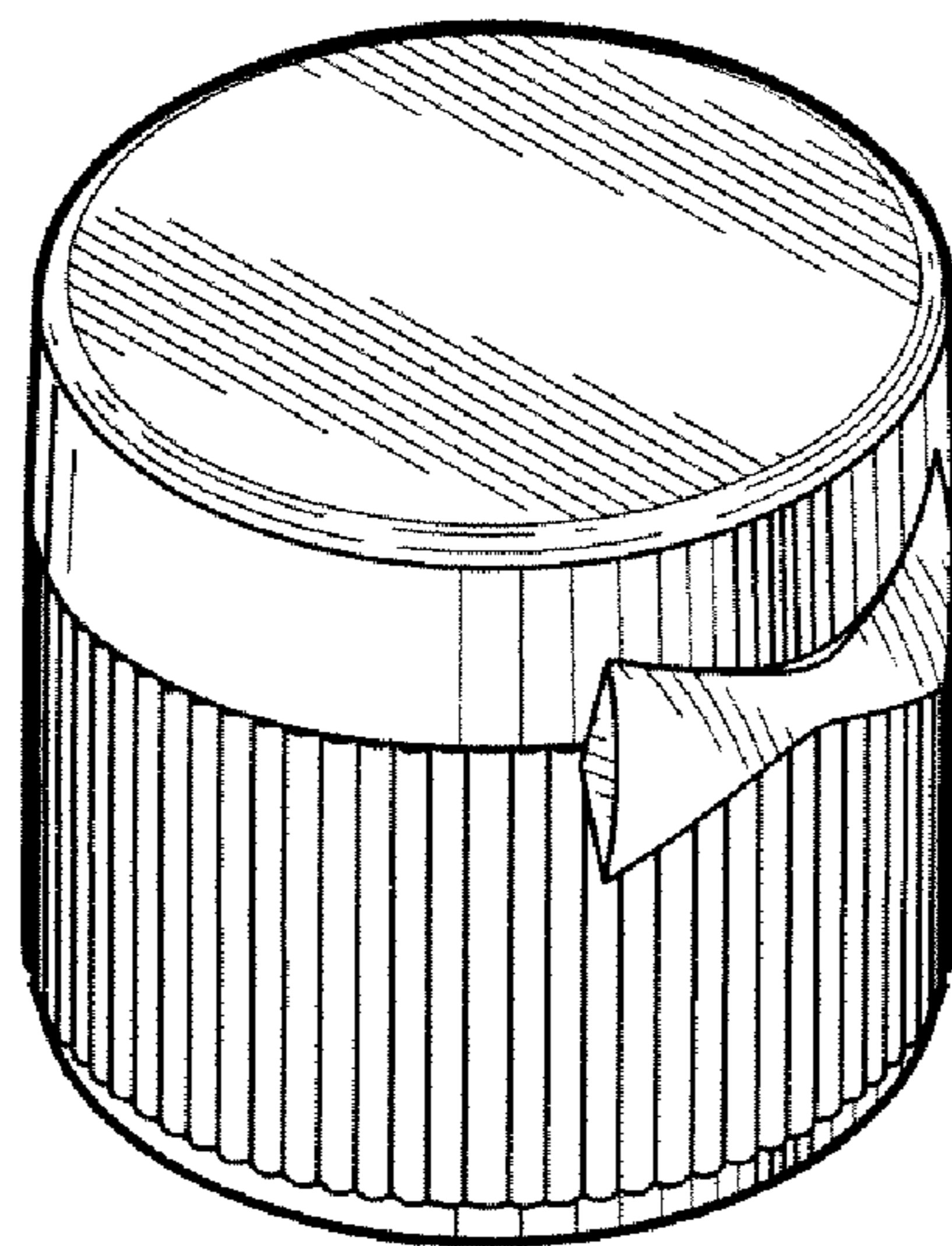


Fig. 7

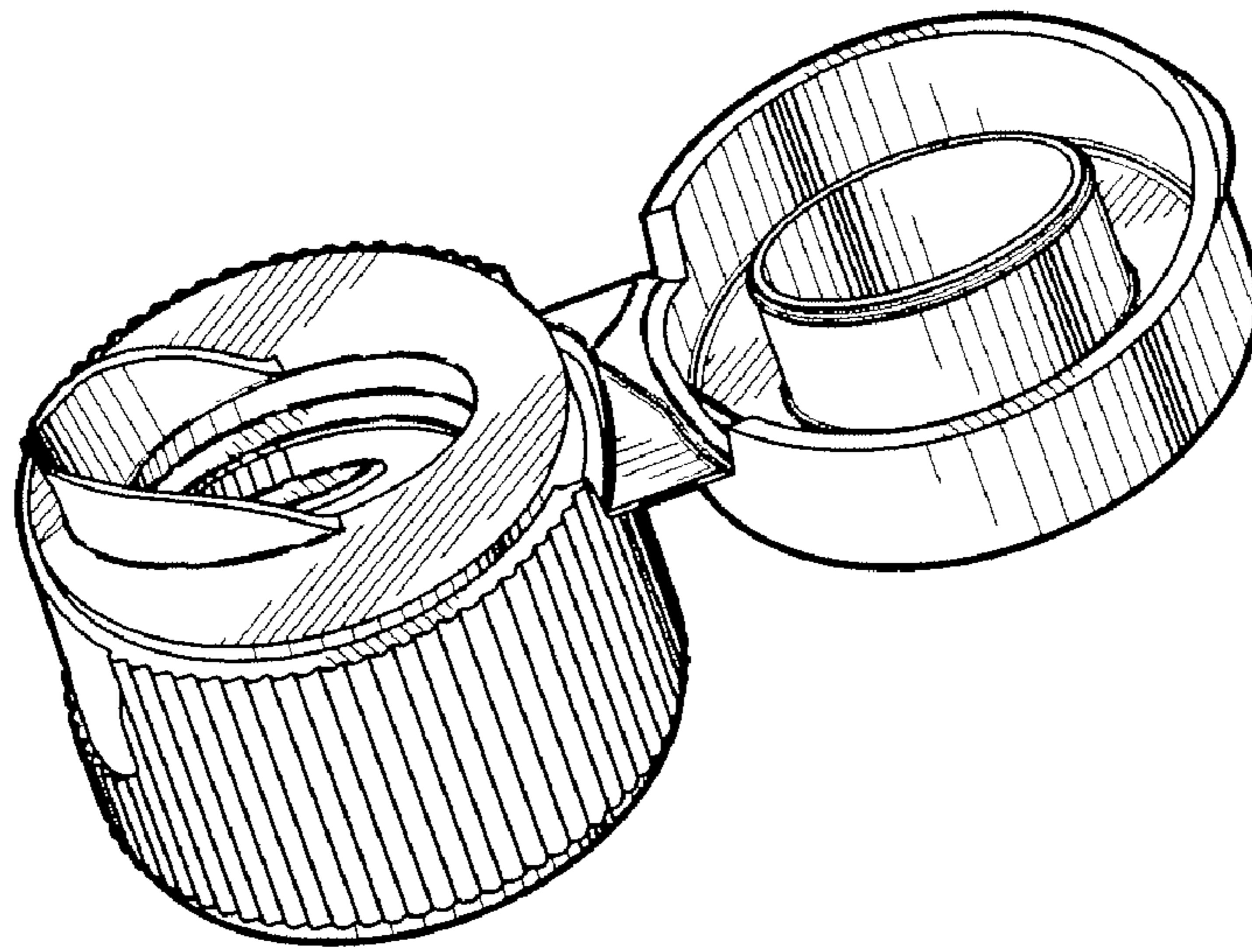


Fig. 8

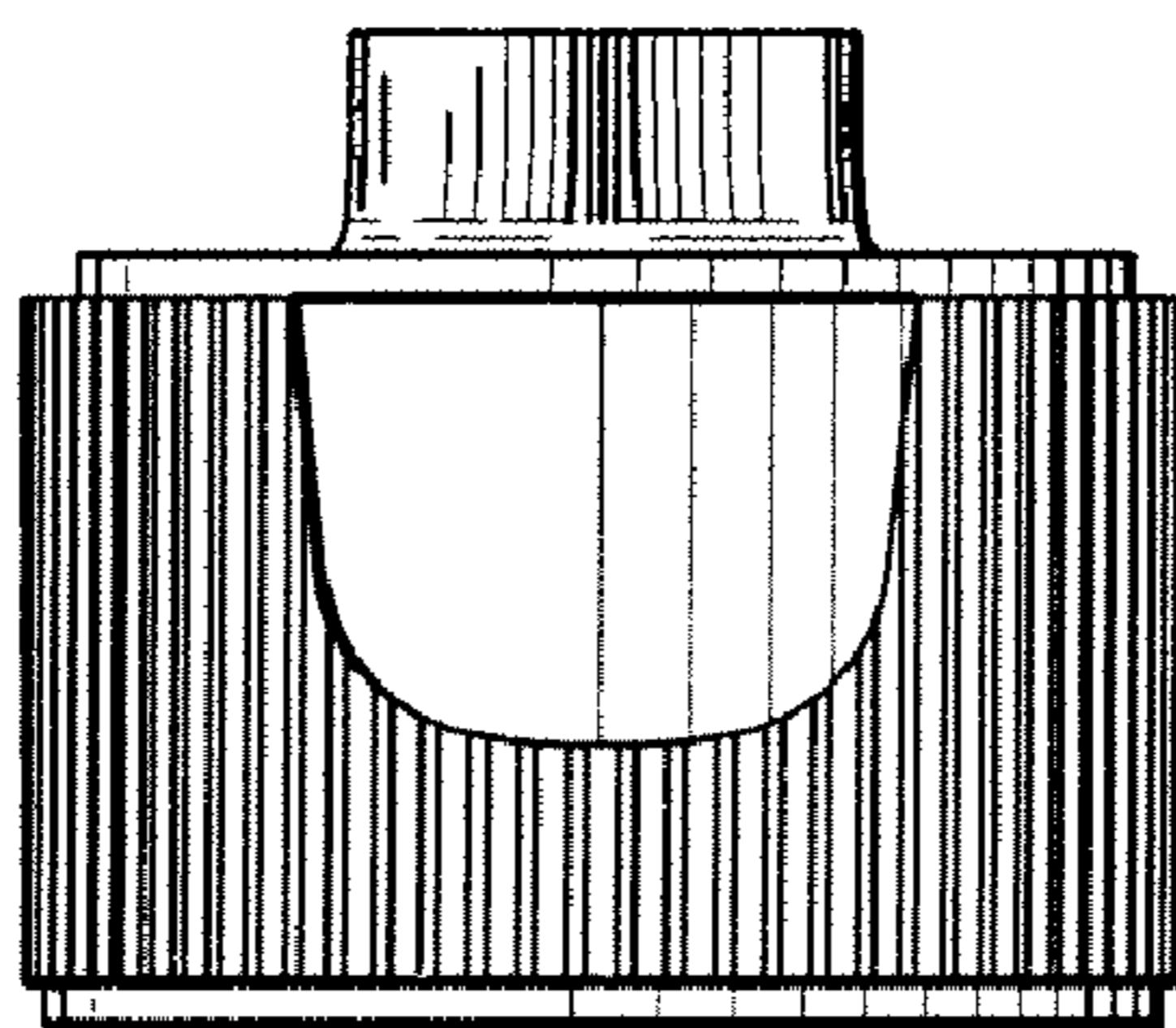


Fig. 9

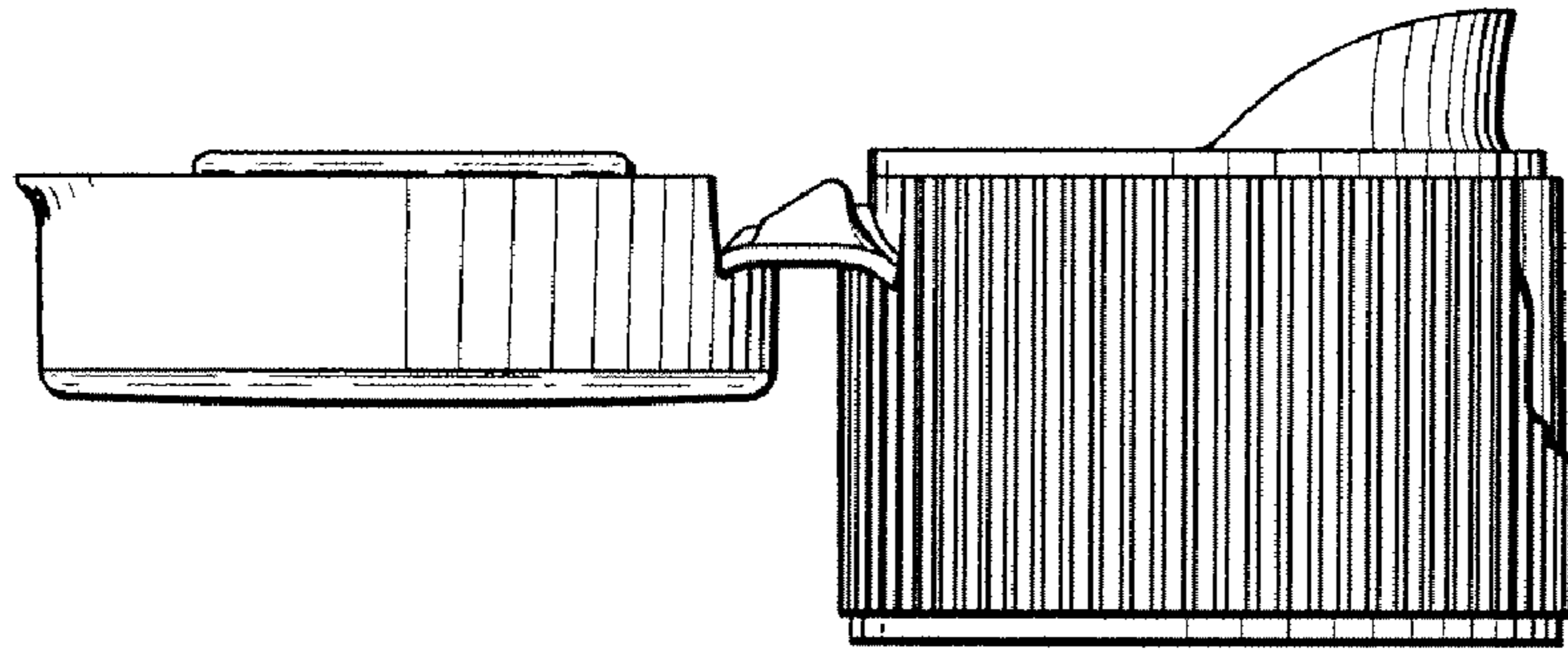


Fig. 10

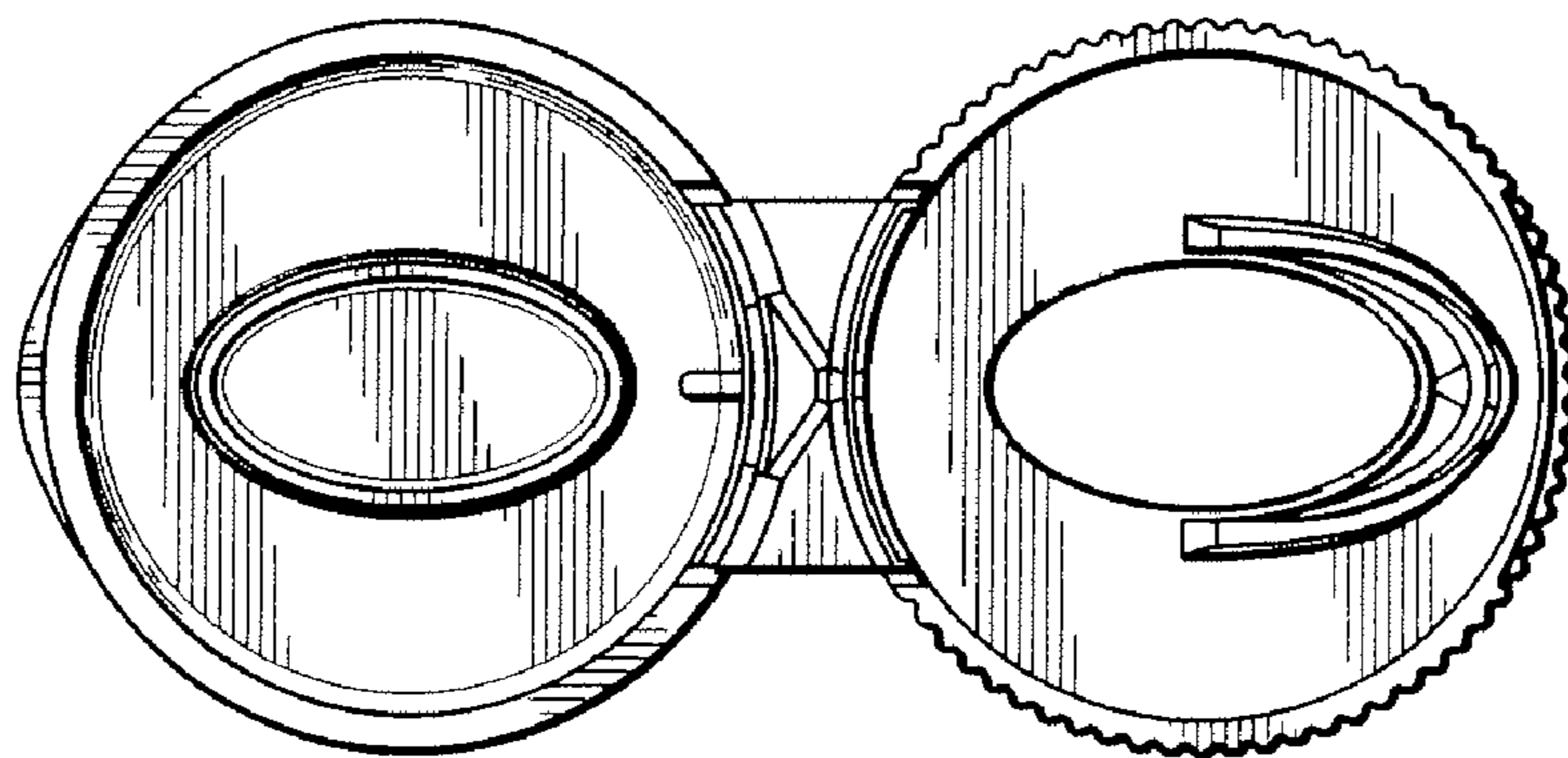


Fig. 11

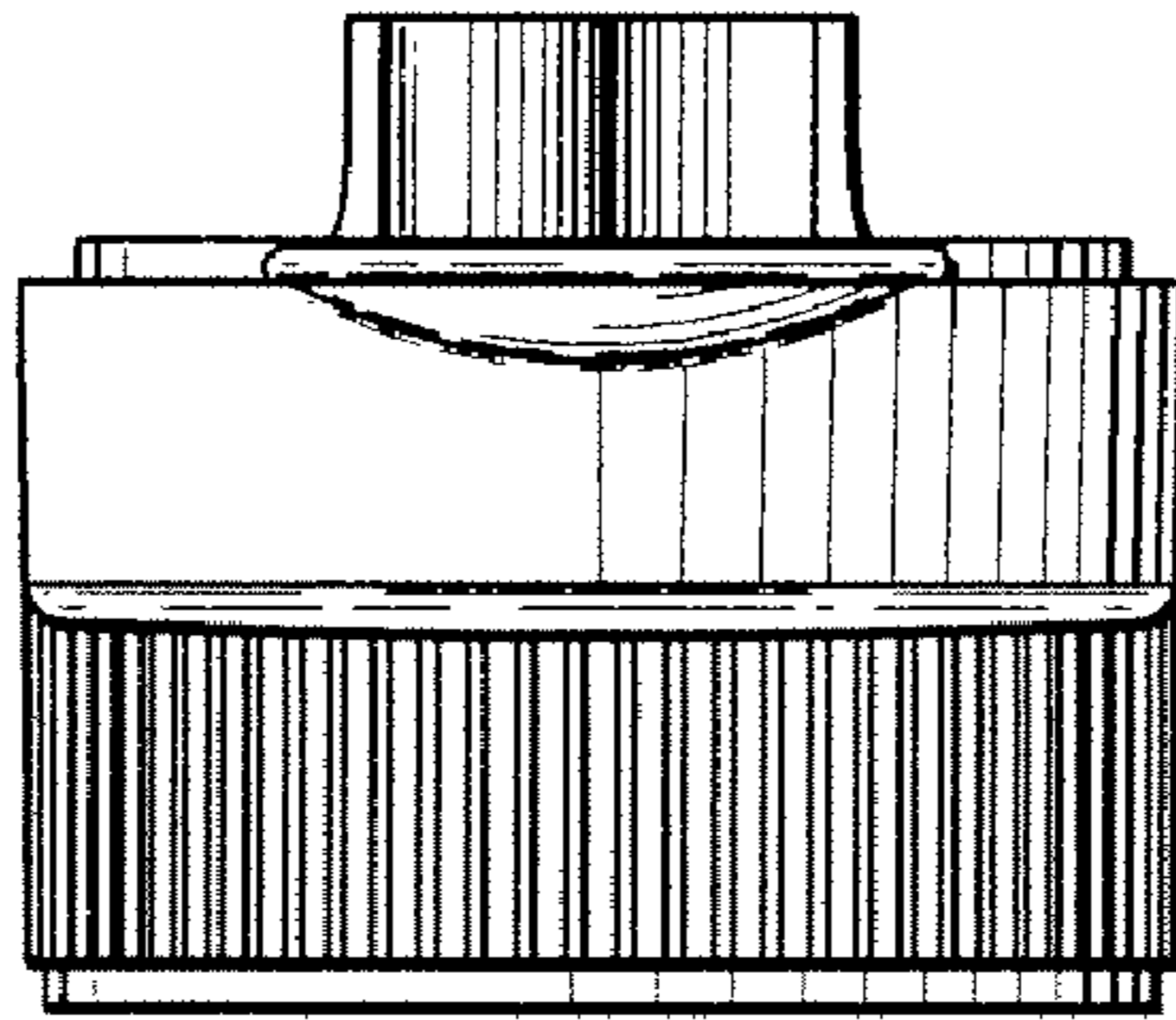


Fig. 12

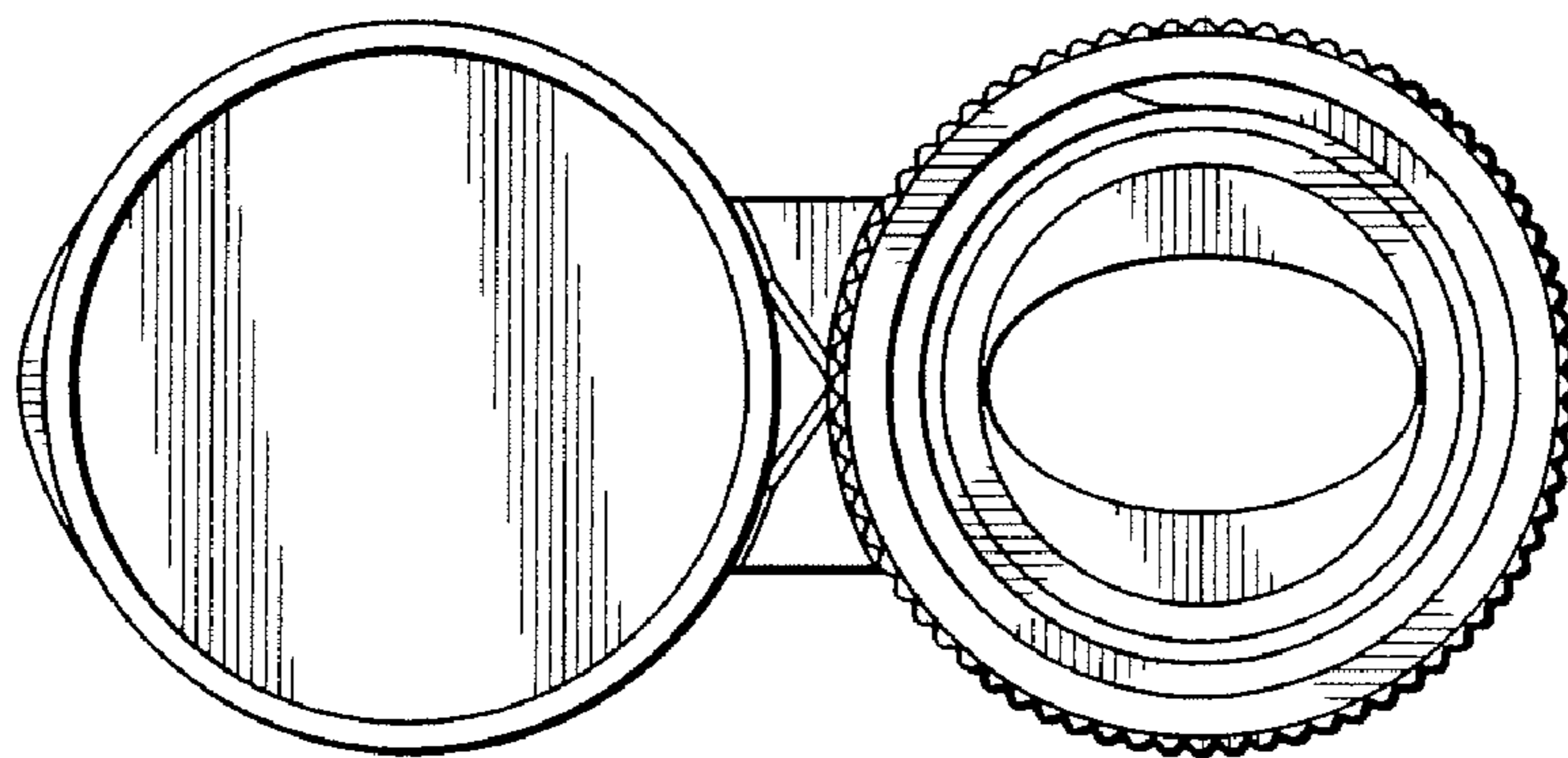


Fig. 13